



US00D670190S

(12) **United States Design Patent**
Esposito

(10) **Patent No.:** **US D670,190 S**

(45) **Date of Patent:** **** Nov. 6, 2012**

(54) **CALENDAR RING**

(76) **Inventor:** **Michele Esposito**, Calabasas, CA (US)

(**) **Term:** **14 Years**

(21) **Appl. No.:** **29/406,986**

(22) **Filed:** **Nov. 21, 2011**

(51) **LOC (9) Cl.** **11-01**

(52) **U.S. Cl.** **D11/26**

(58) **Field of Classification Search** D11/26-39,
D11/1-2, 79-80; 63/15, 15.1-15.4, 15.45,
63/15.5, 15.6, 15.7

See application file for complete search history.

(56) **References Cited**

U.S. PATENT DOCUMENTS

2,447,807	A	*	8/1948	Lathrop	40/107
D282,151	S	*	1/1986	Mills	D11/81
D334,945	S	*	4/1993	Hill	D19/20
D351,413	S	*	10/1994	Kim	D19/20
D389,302	S	*	1/1998	Ekeoba	D3/208
D423,571	S	*	4/2000	Balzer et al.	D19/20
D435,590	S	*	12/2000	Crawford	D19/21
D440,037	S	*	4/2001	Bharaj	D3/208
D510,185	S	*	10/2005	Chan	D3/208

D553,804	S	*	10/2007	Kaposi	D11/26
D605,971	S	*	12/2009	Esposito	D11/60
D632,203	S	*	2/2011	Hobbs, Jr.	D11/26
D651,933	S	*	1/2012	Bullock	D11/26

* cited by examiner

Primary Examiner — Cathron Brooks

Assistant Examiner — Melanie Pellegrini

(74) *Attorney, Agent, or Firm* — QuickPatents, Inc.; Kevin Prince

(57) **CLAIM**

I claim the ornamental design for a calendar ring, as shown and described.

DESCRIPTION

FIG. 1 is a perspective view of a calendar ring, showing my new design;

FIG. 2 is a front elevational view thereof;

FIG. 3 is a rear elevational view thereof;

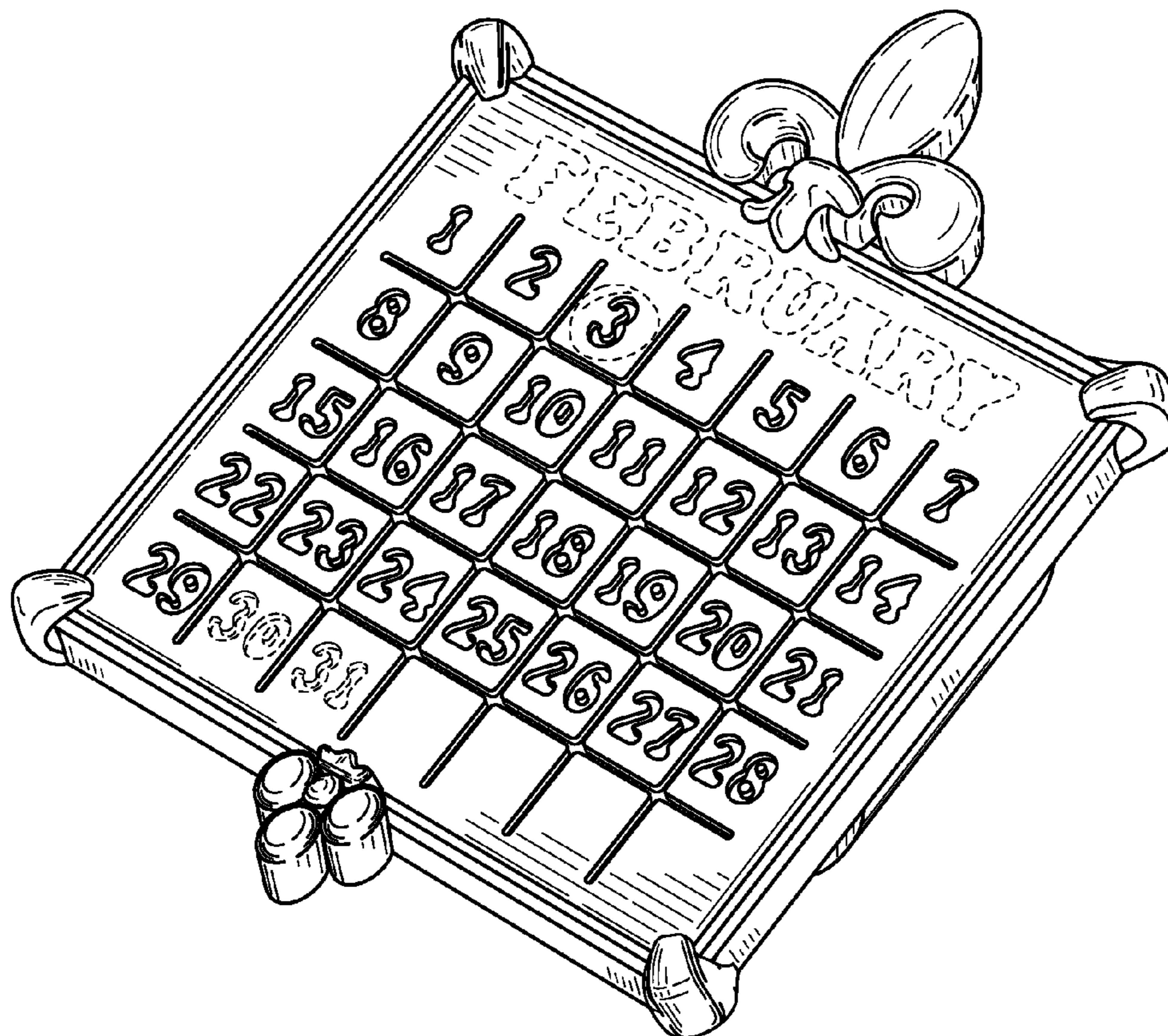
FIG. 4 is a left-side elevational view thereof, the right-side elevational view being a mirror image thereof;

FIG. 5 is a top plan view thereof; and,

FIG. 6 is a bottom plan view thereof.

The broken lines depict environmental matter and form no part of the claimed design.

1 Claim, 4 Drawing Sheets



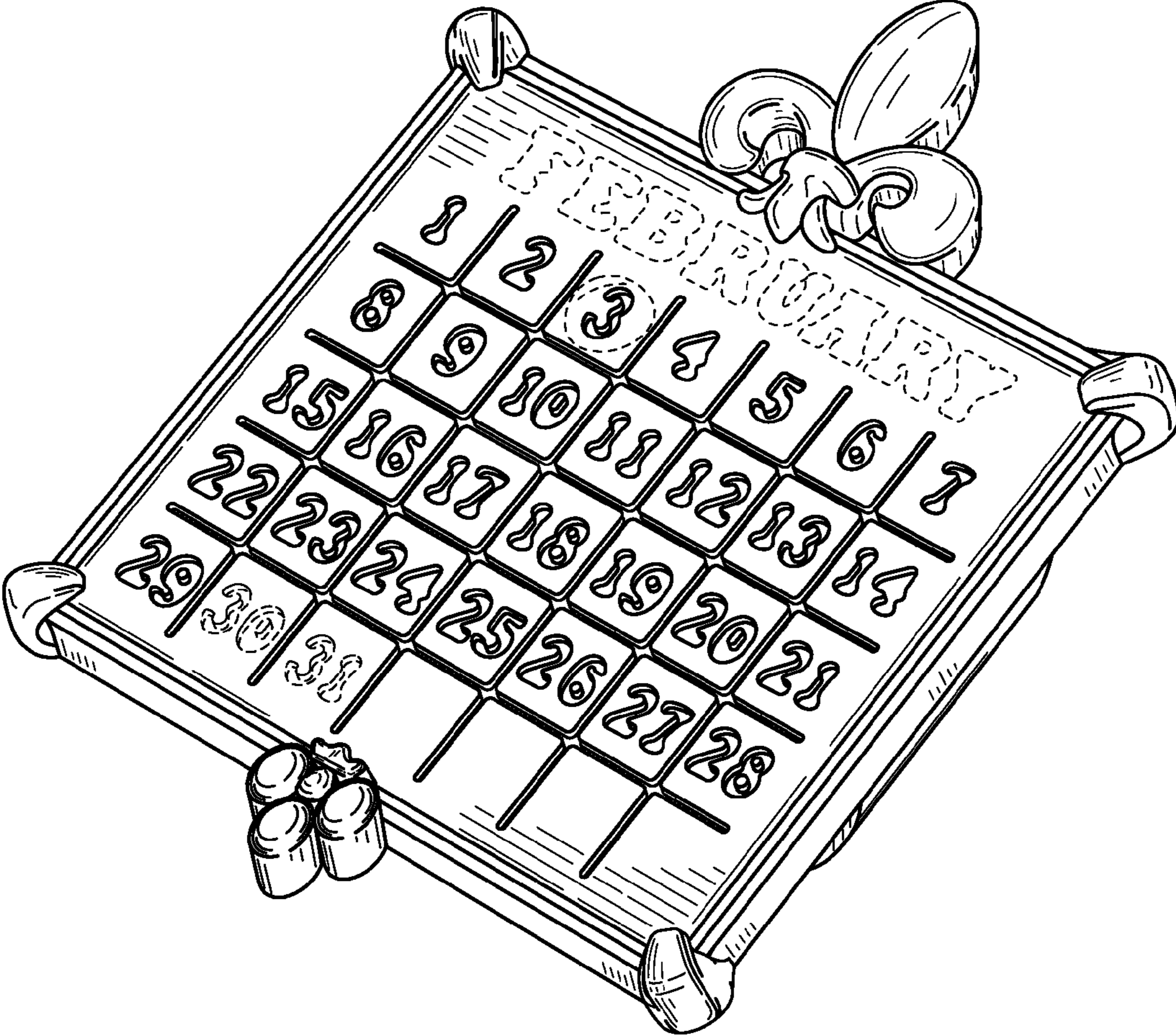


FIG. 1

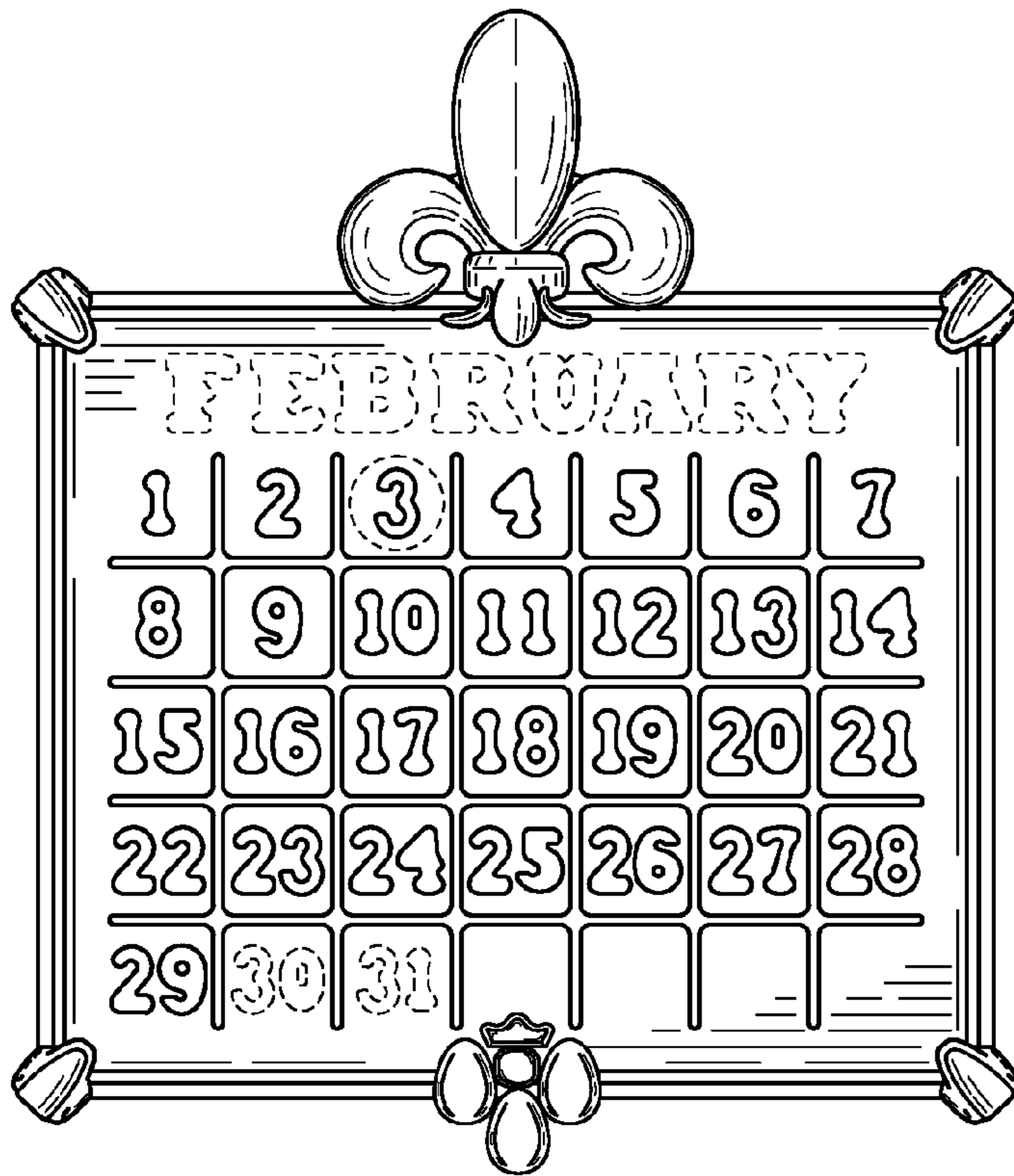


FIG. 2

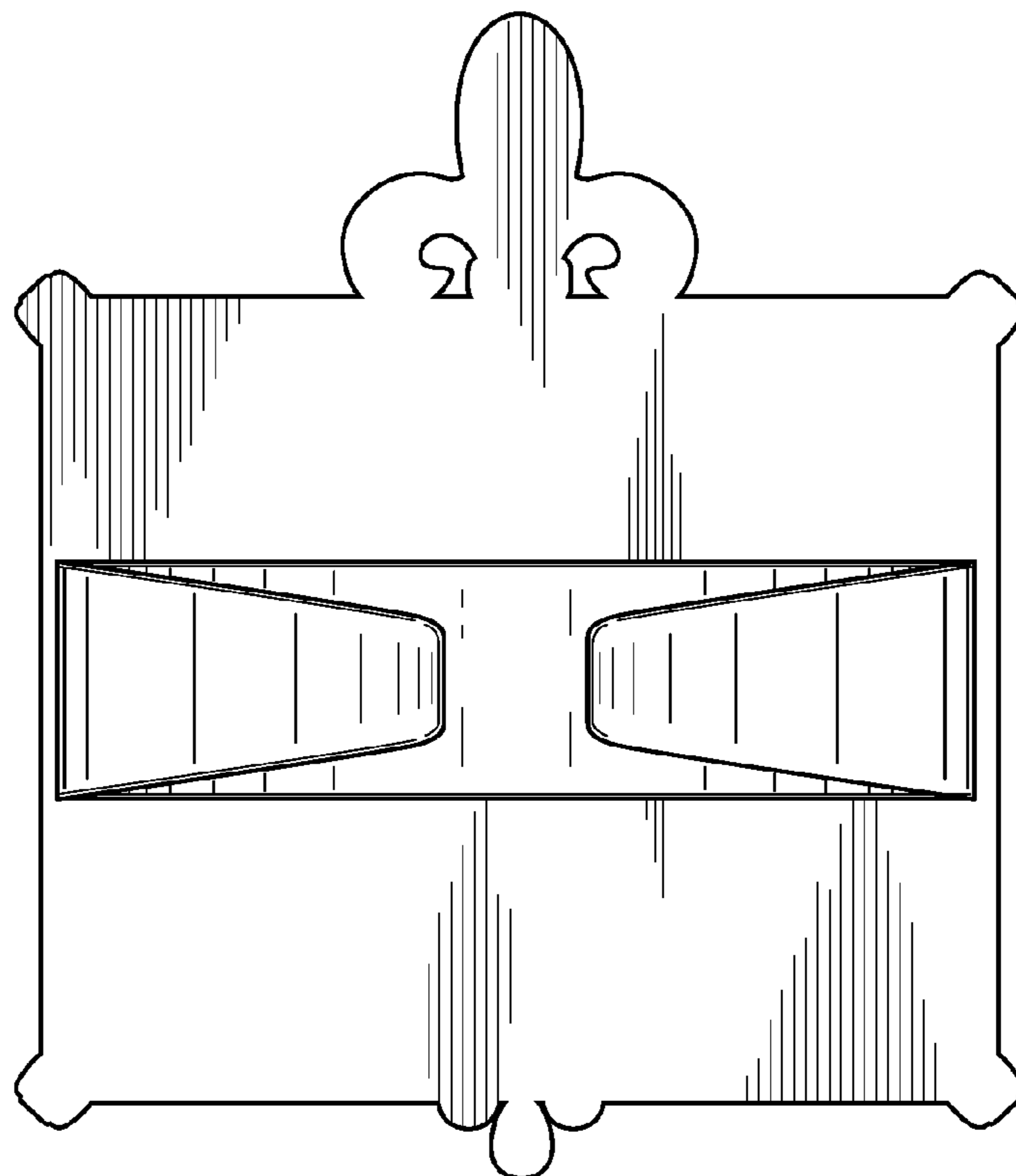


FIG. 3

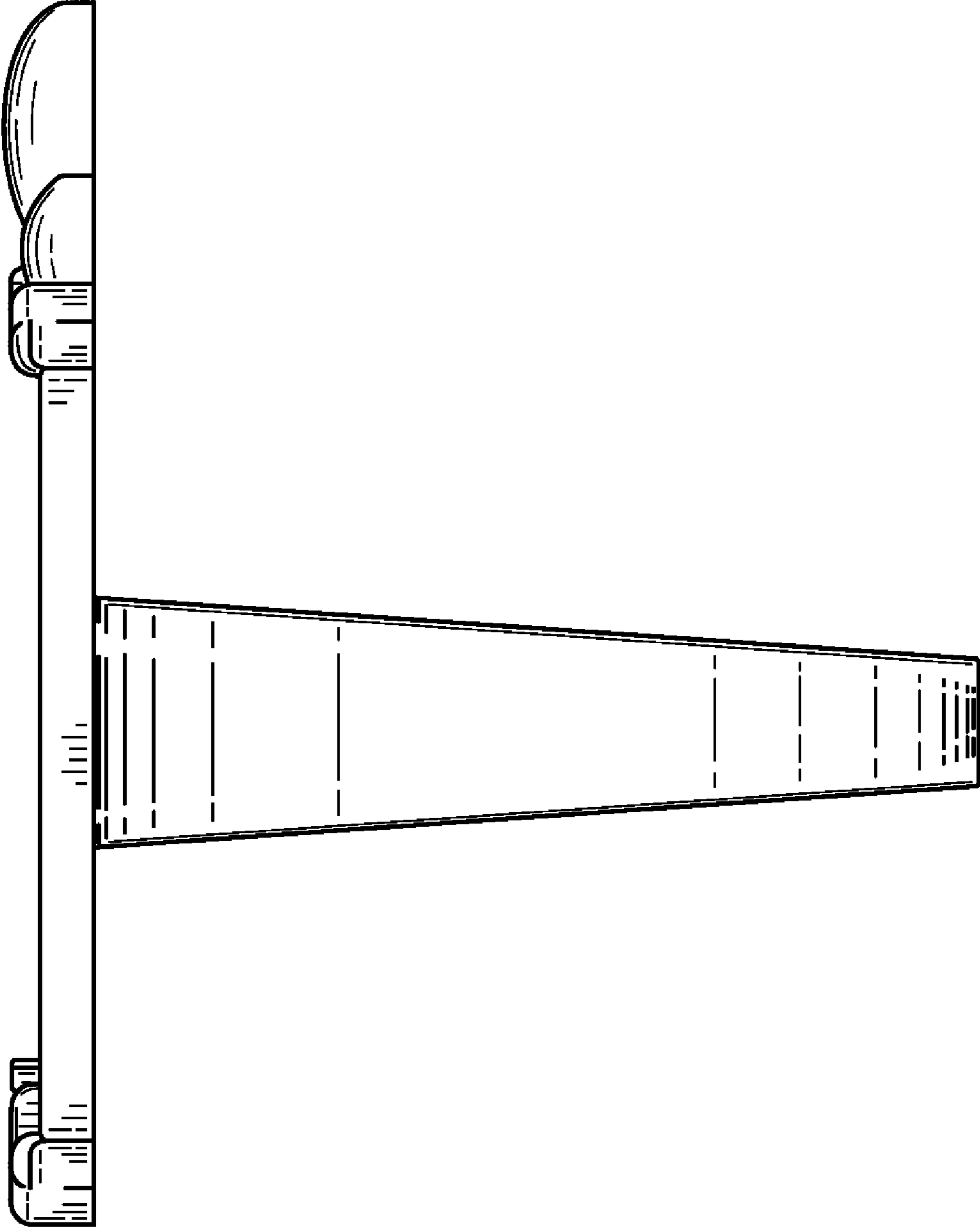


FIG. 4

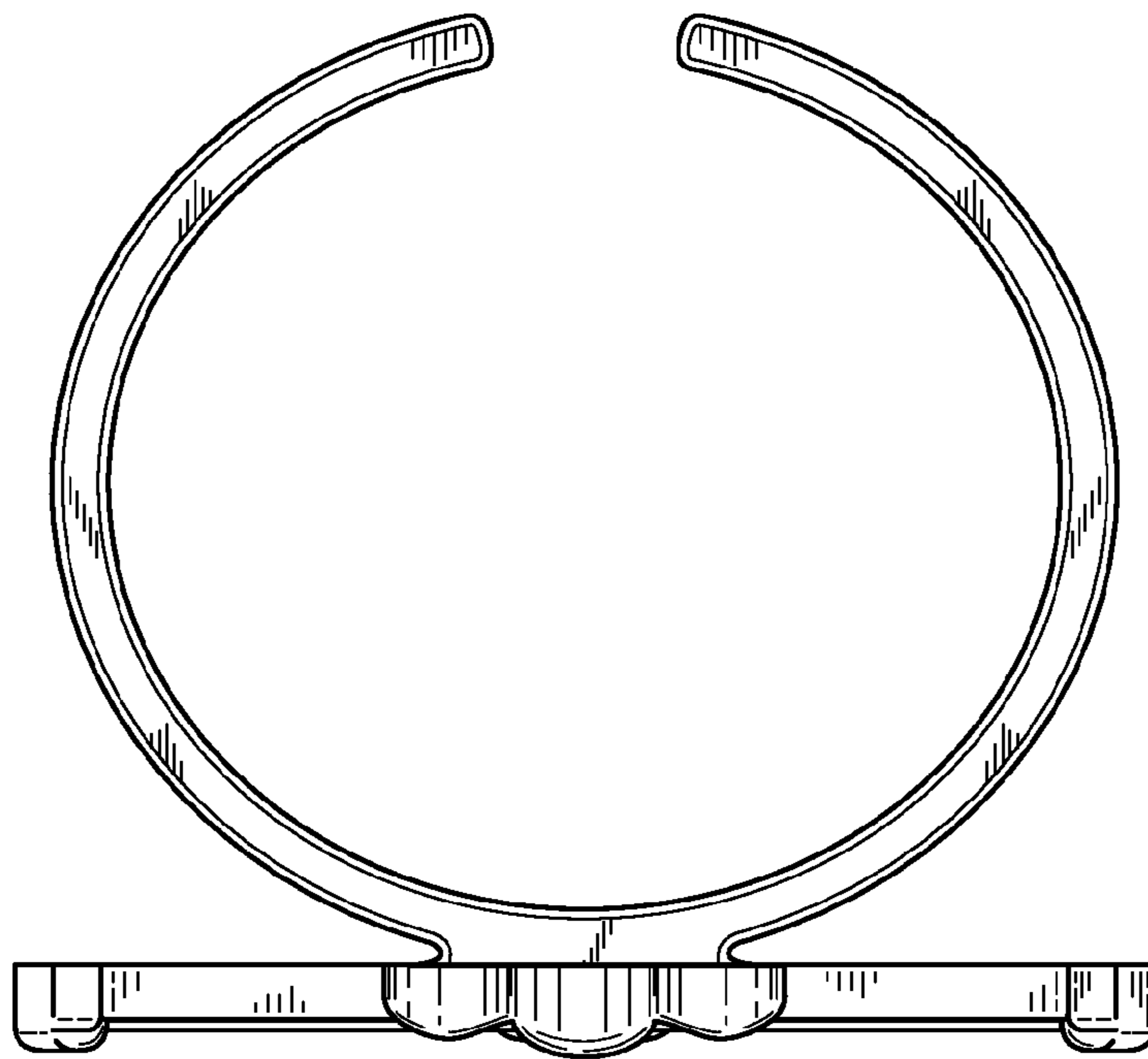


FIG. 5

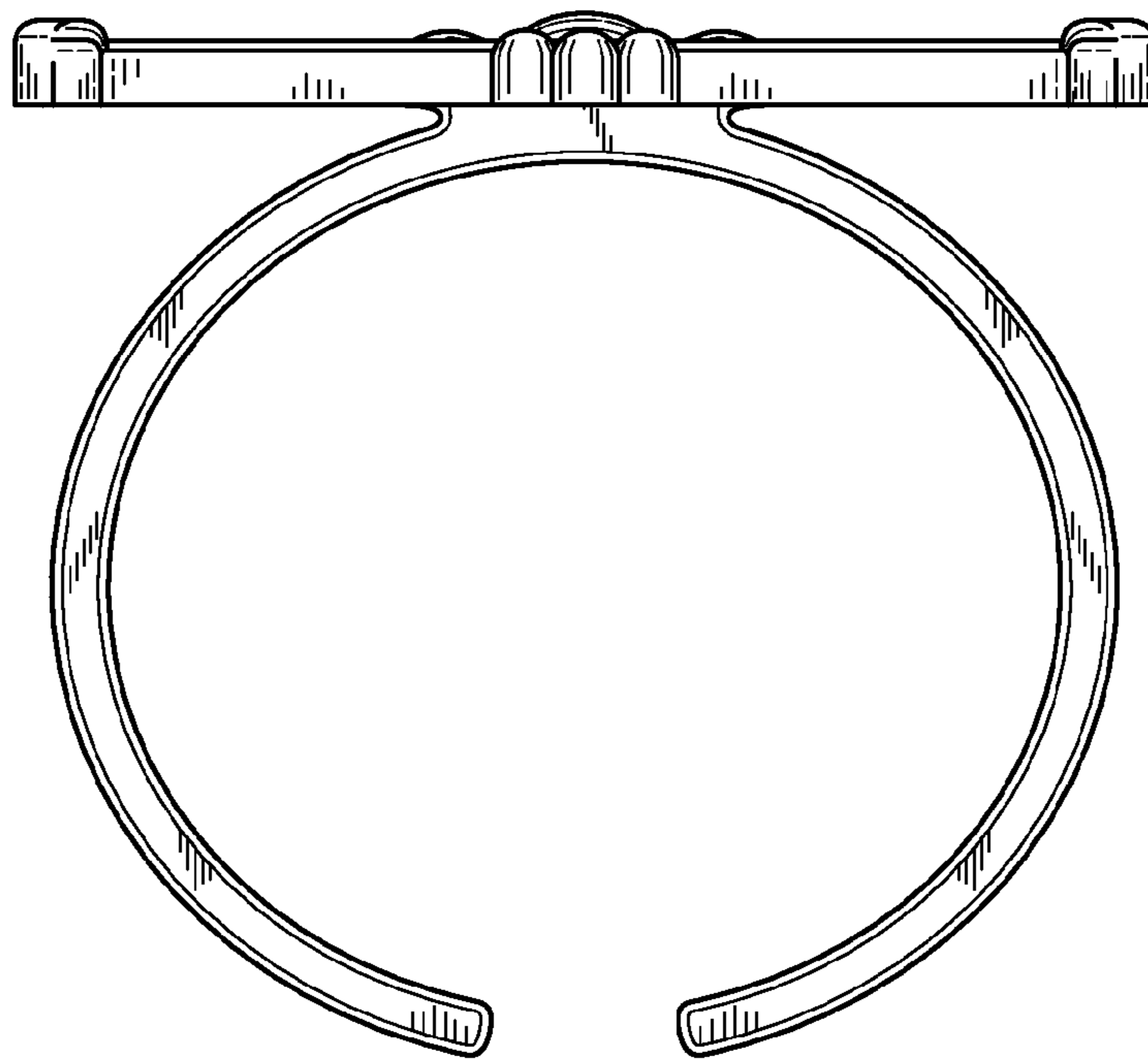


FIG. 6