



US00D670187S

(12) **United States Design Patent**  
**Hall et al.**

(10) **Patent No.:** **US D670,187 S**  
(45) **Date of Patent:** **\*\* Nov. 6, 2012**

(54) **DETECTOR COVER**

(75) Inventors: **David L. Hall**, Luther, MI (US);  
**Andrew D. Frost**, Berkley, MI (US);  
**Andrew Stouffer**, Holly, MI (US)

(73) Assignee: **Air Products and Controls Inc.**

(\*\*) Term: **14 Years**

(21) Appl. No.: **29/390,253**

(22) Filed: **Apr. 21, 2011**

(51) **LOC (9) Cl.** ..... **10-05**

(52) **U.S. Cl.** ..... **D10/106.2**

(58) **Field of Classification Search** ..... D10/46,  
D10/106.1, 106.2; 73/731; 301/112, 116,  
301/117, 125, 139, 140.32; 340/577-579,  
340/584-600, 825.3, 825.31, 825.32, 825.34,  
340/825.36; 700/11, 14, 22, 28, 275; 315/119,  
315/149-159, 360, 362, 120, 291, 224, 307,  
315/142, 292

See application file for complete search history.

(56) **References Cited**

U.S. PATENT DOCUMENTS

D227,410 S \* 6/1973 Yip ..... D10/106.1  
D311,348 S \* 10/1990 Mastro et al. .... D10/106.2  
8,141,422 B2 \* 3/2012 Hall et al. .... 73/431

\* cited by examiner

*Primary Examiner* — Antoine D Davis

(74) *Attorney, Agent, or Firm* — Gifford, Krass, Sprinkle,  
Anderson & Citkowski, P.C.

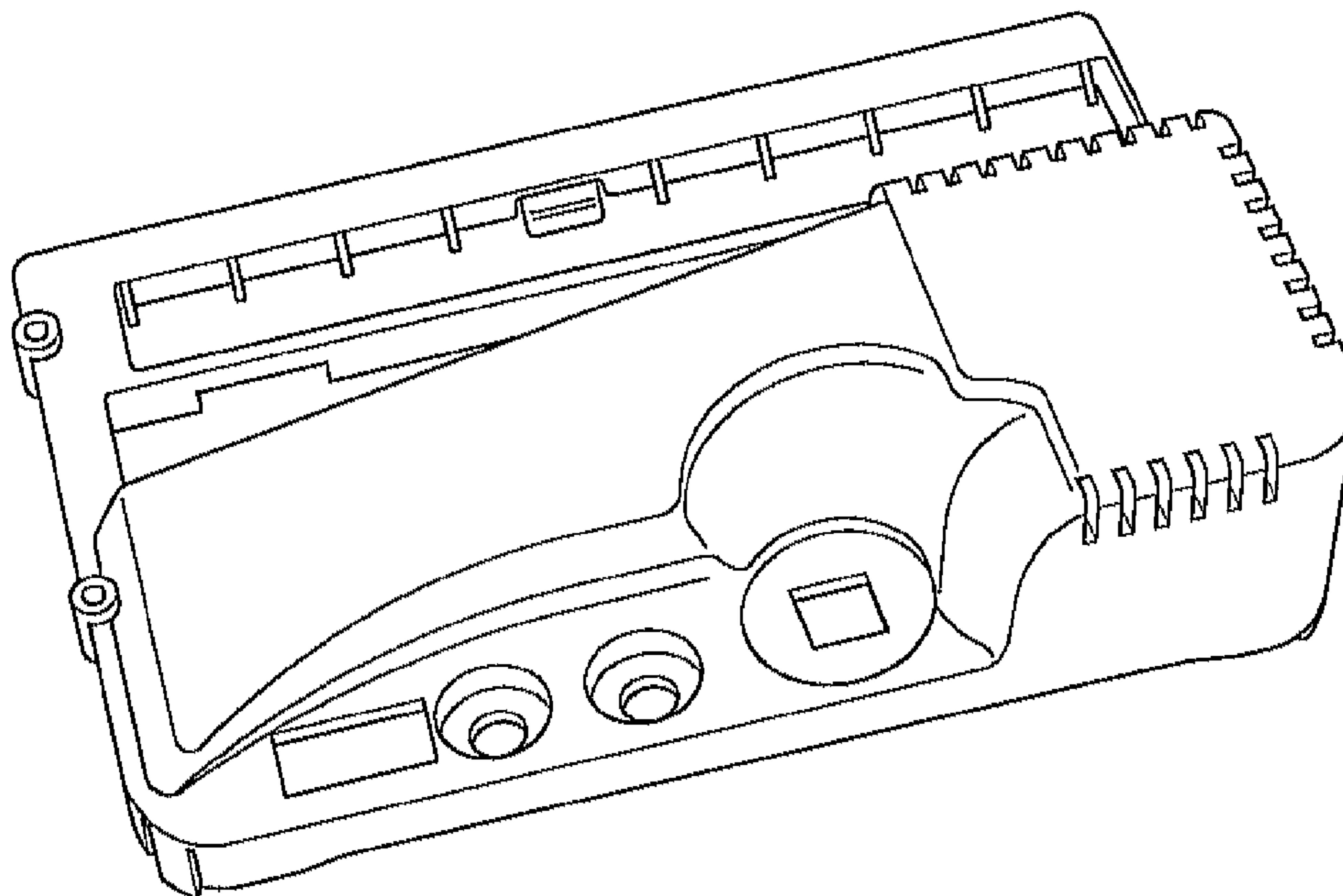
(57) **CLAIM**

The ornamental design for a detector cover, as shown and described.

**DESCRIPTION**

FIG. 1 is a front perspective view of a detector cover showing our design;  
FIG. 2 is a top view of the detector cover depicted in FIG. 1;  
FIG. 3 is a left side view of the detector cover depicted in FIG. 1;  
FIG. 4 is a right side view of the detector cover depicted in FIG. 1;  
FIG. 5 is a back view of the detector cover depicted in FIG. 1;  
FIG. 6 is a front view of the detector cover depicted in FIG. 1;  
and,  
FIG. 7 is a bottom view of the detector cover depicted in FIG. 1.

**1 Claim, 2 Drawing Sheets**



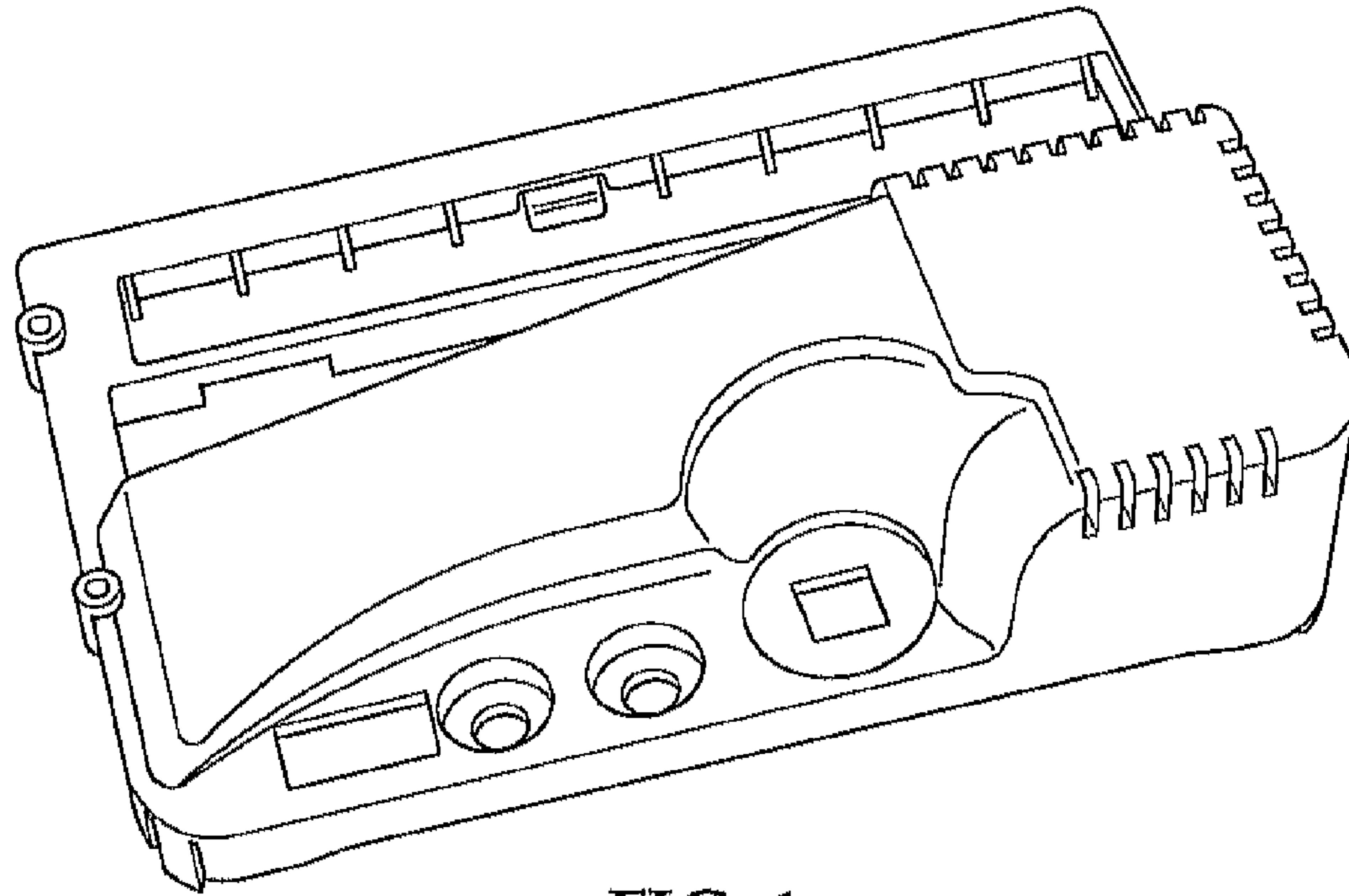


FIG. 1

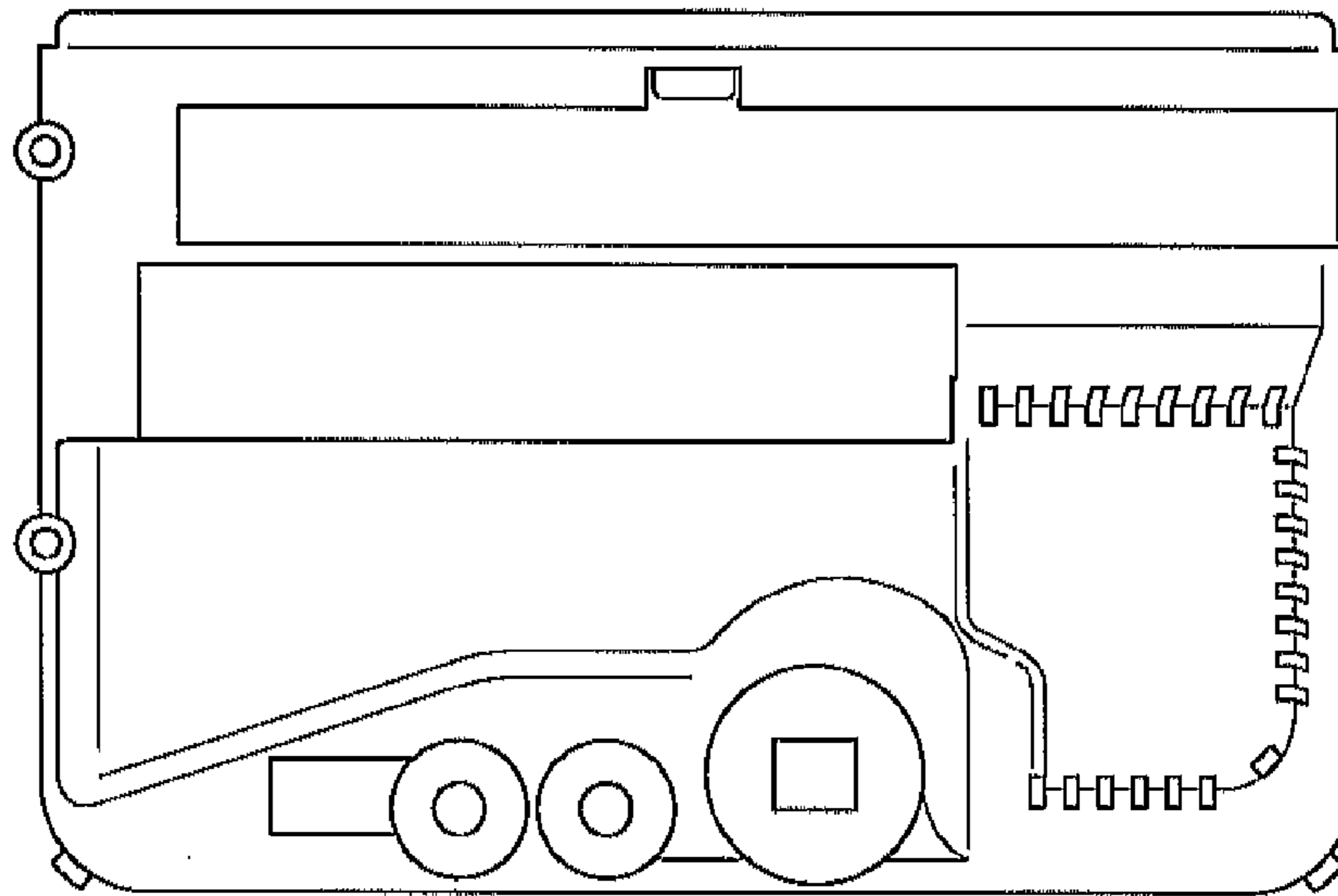


FIG. 2

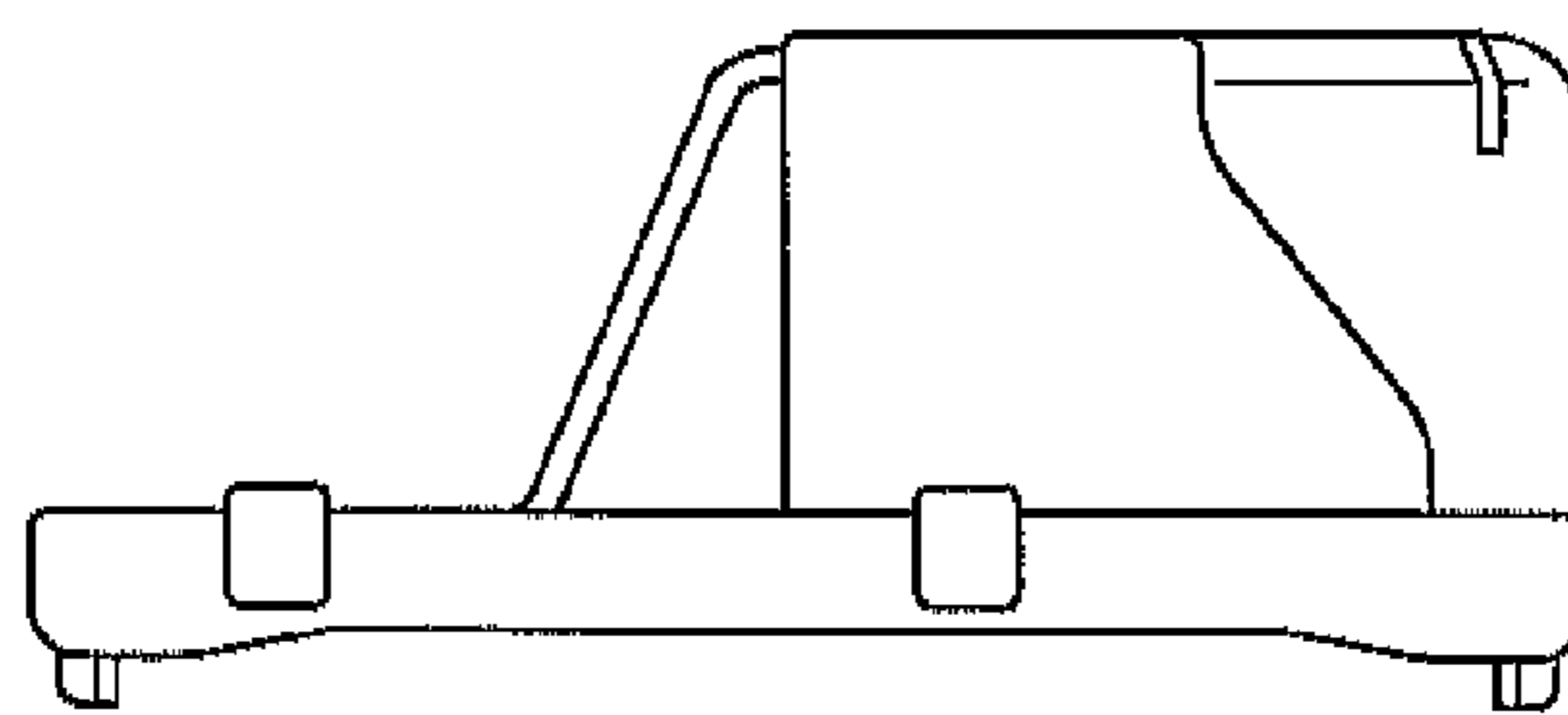


FIG. 3

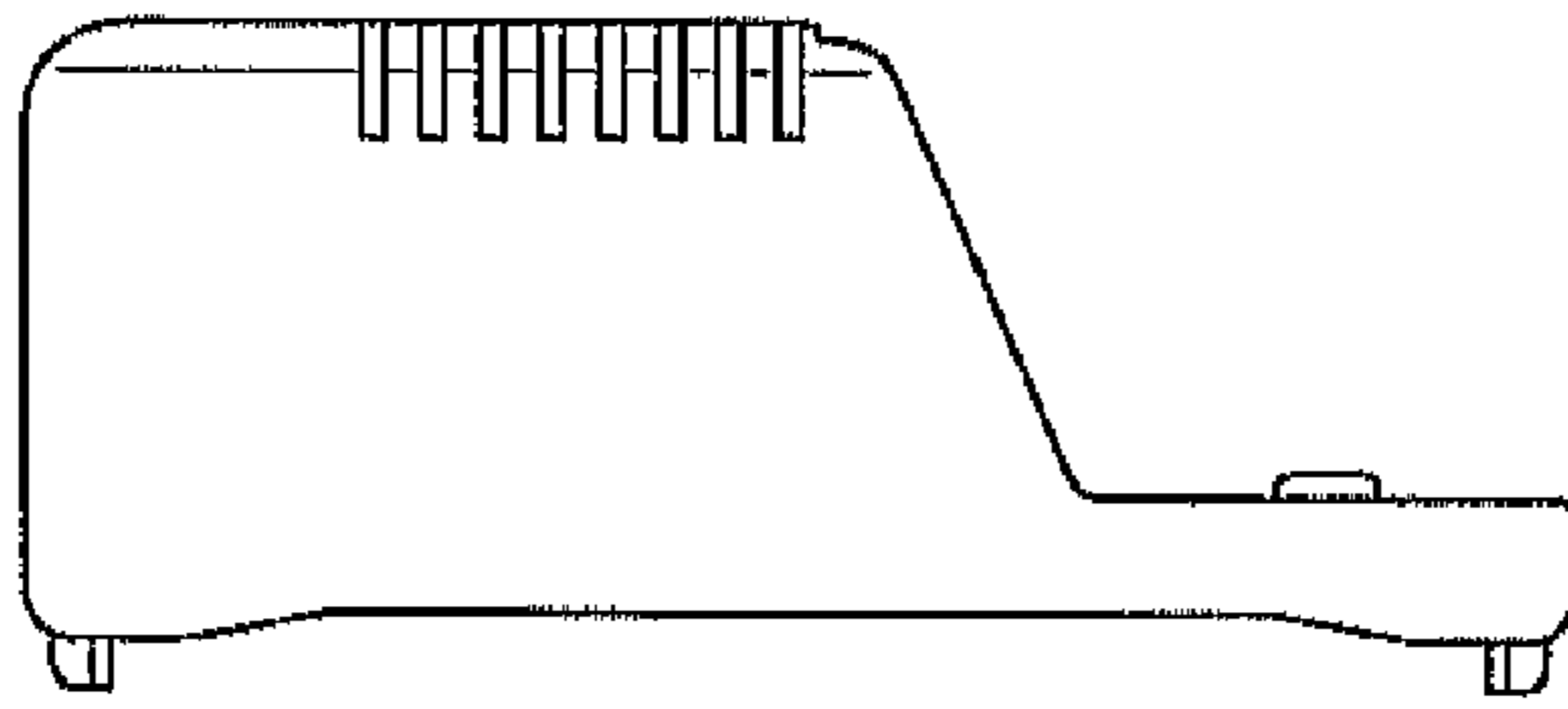


FIG. 4

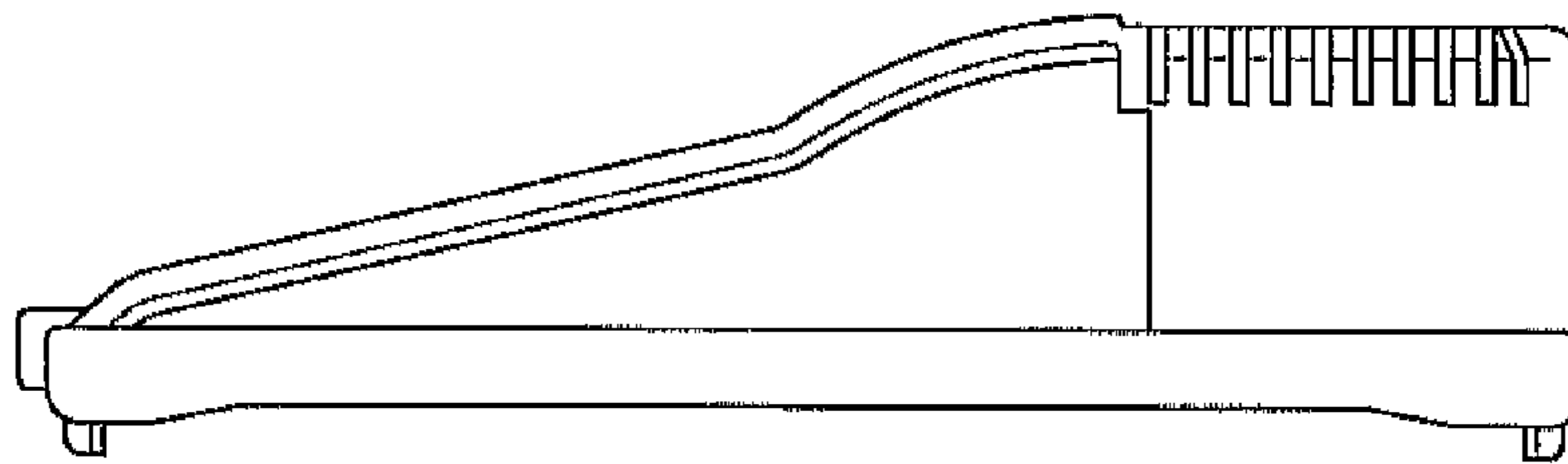


FIG. 5

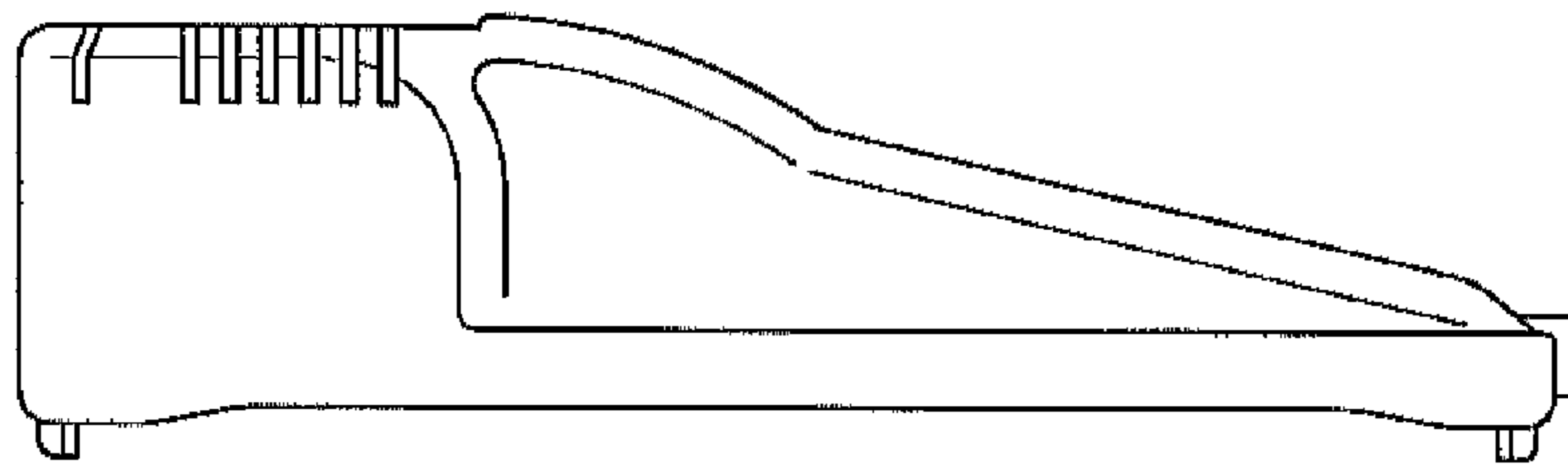


FIG. 6

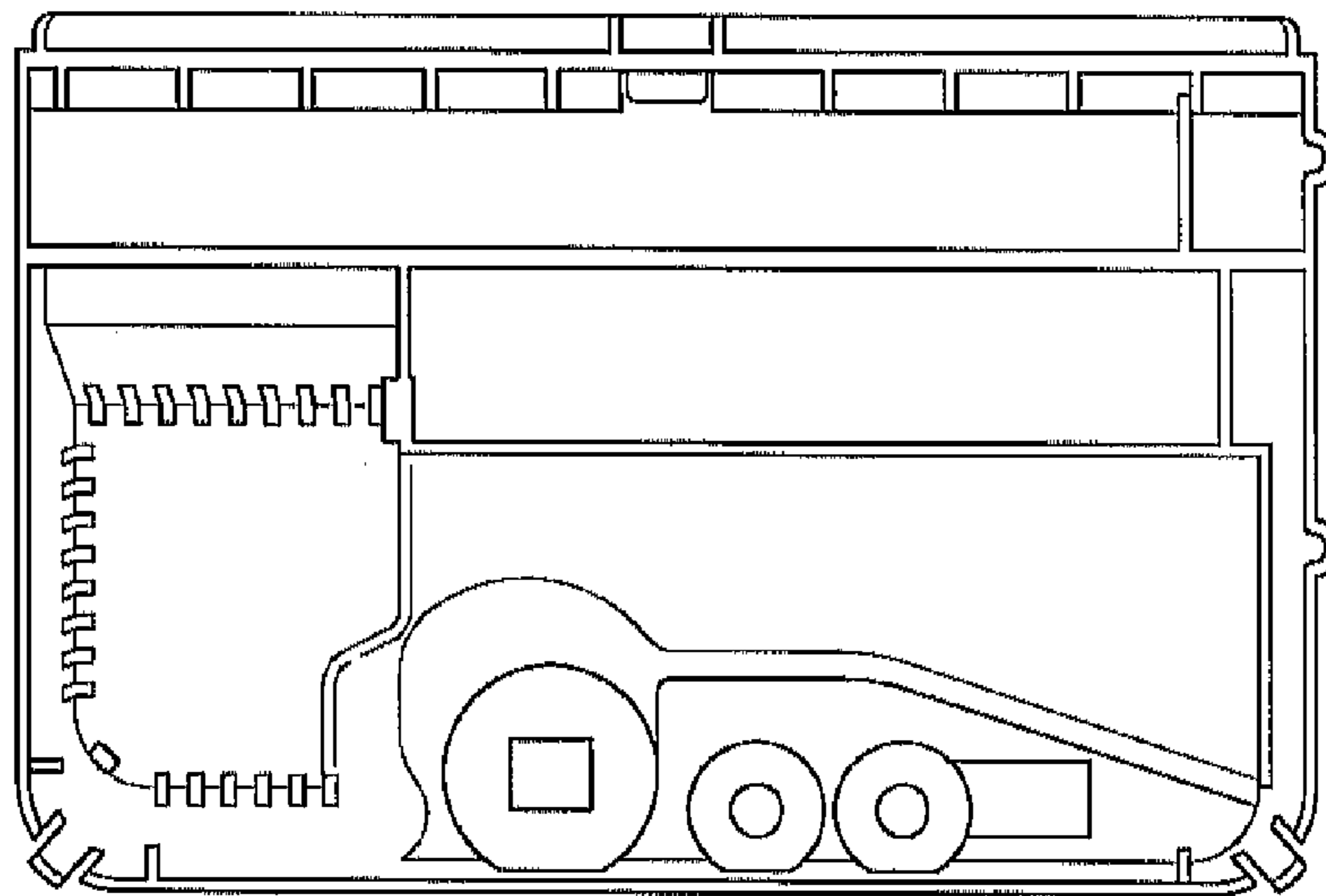


FIG. 7