

US00D670186S

(12) **United States Design Patent**  
**Aesch, Jr. et al.**

(10) **Patent No.:** **US D670,186 S**

(45) **Date of Patent:** **\*\* Nov. 6, 2012**

(54) **BED BUG MONITOR**

(76) Inventors: **Harold Walter Aesch, Jr.**, Phoenix, AZ  
(US); **Paul Gregory Aesch**, Mesa, AZ  
(US)

(\*\*) Term: **14 Years**

(21) Appl. No.: **29/377,404**

(22) Filed: **Oct. 21, 2010**

(51) **LOC (9) Cl.** ..... **10-05**

(52) **U.S. Cl.** ..... **D10/104.1**

(58) **Field of Classification Search** ..... D10/104.1,  
D10/106.1; 43/107, 114, 123; 5/691  
See application file for complete search history.

(56) **References Cited**

**U.S. PATENT DOCUMENTS**

4,395,842	A *	8/1983	Margulies	43/114
7,591,099	B2 *	9/2009	Lang et al.	43/107
2005/0102889	A1 *	5/2005	Hoyes	43/114
2010/0043274	A1 *	2/2010	Battick	43/114

2011/0041385	A1 *	2/2011	Faham et al.	43/123
2011/0138678	A1 *	6/2011	Smith	43/107
2012/0110894	A1 *	5/2012	Black et al.	43/123
2012/0167309	A1 *	7/2012	Heidorn	5/691

\* cited by examiner

*Primary Examiner* — George D Kirschbaum  
(74) *Attorney, Agent, or Firm* — Sinorica, LLC

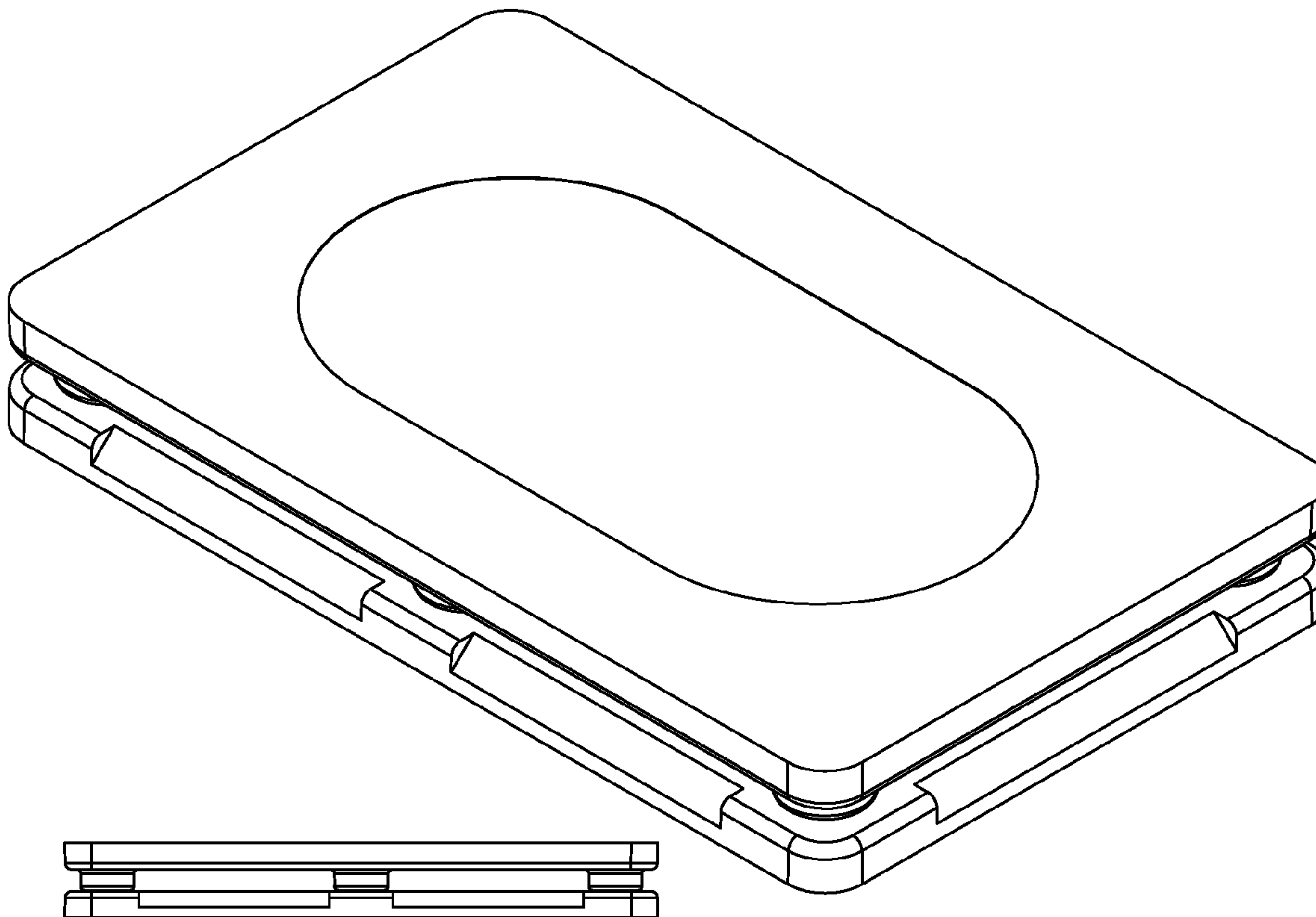
(57) **CLAIM**

I claim the ornamental design for an improved bed bug monitor.

**DESCRIPTION**

FIG. 1 Front perspective view of my new device.  
FIG. 2 is the top view.  
FIG. 3 is the side view thereof;  
FIG. 4 is the end view thereof;  
FIG. 5 is the bottom view thereof;  
FIG. 6 is the top view thereof; and,  
FIG. 8 is the top/bottom separation view thereof.

**1 Claim, 4 Drawing Sheets**



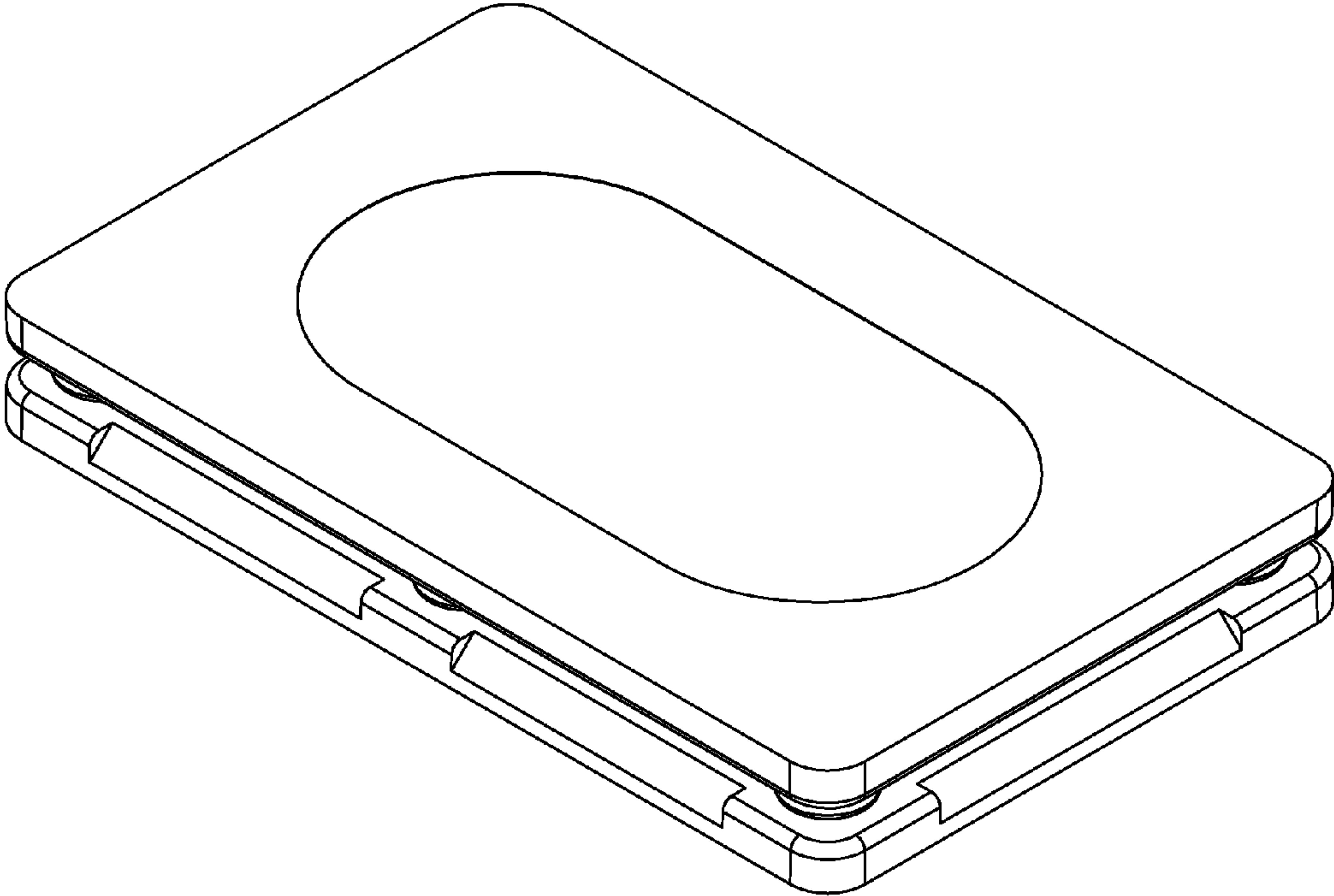


FIG. 1

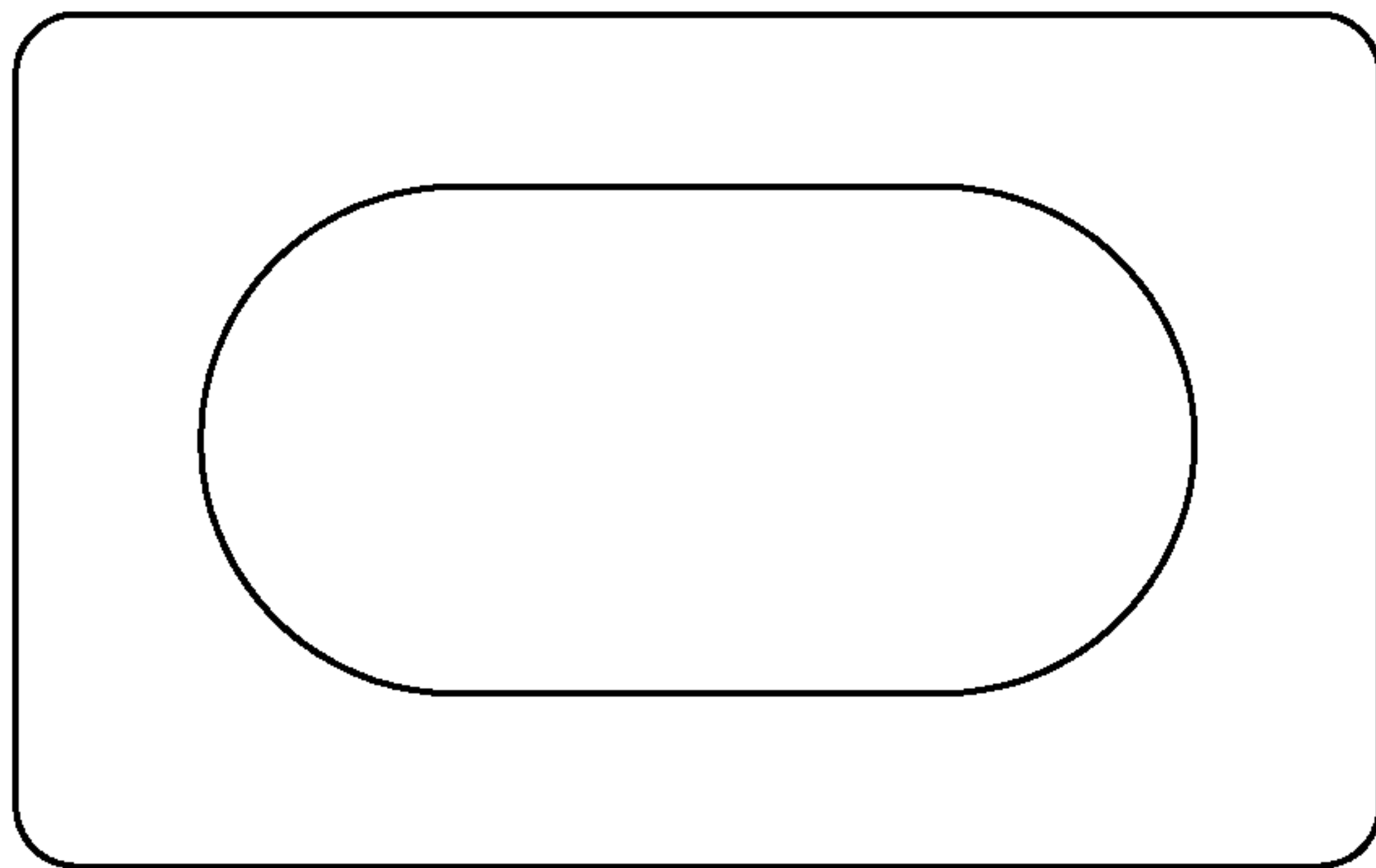


FIG. 2

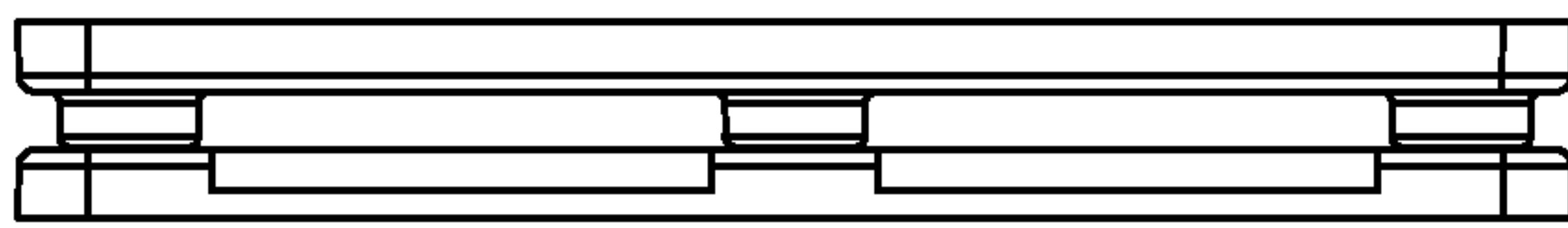


FIG. 3

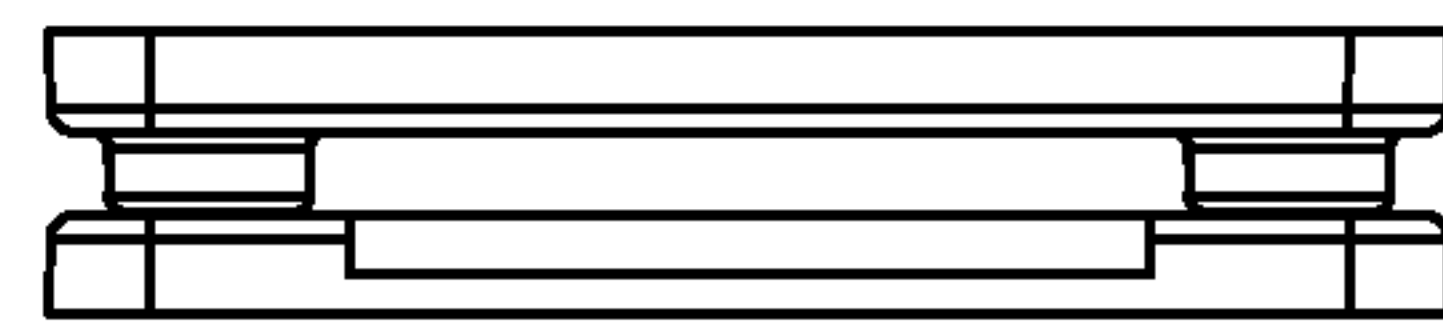


FIG. 4

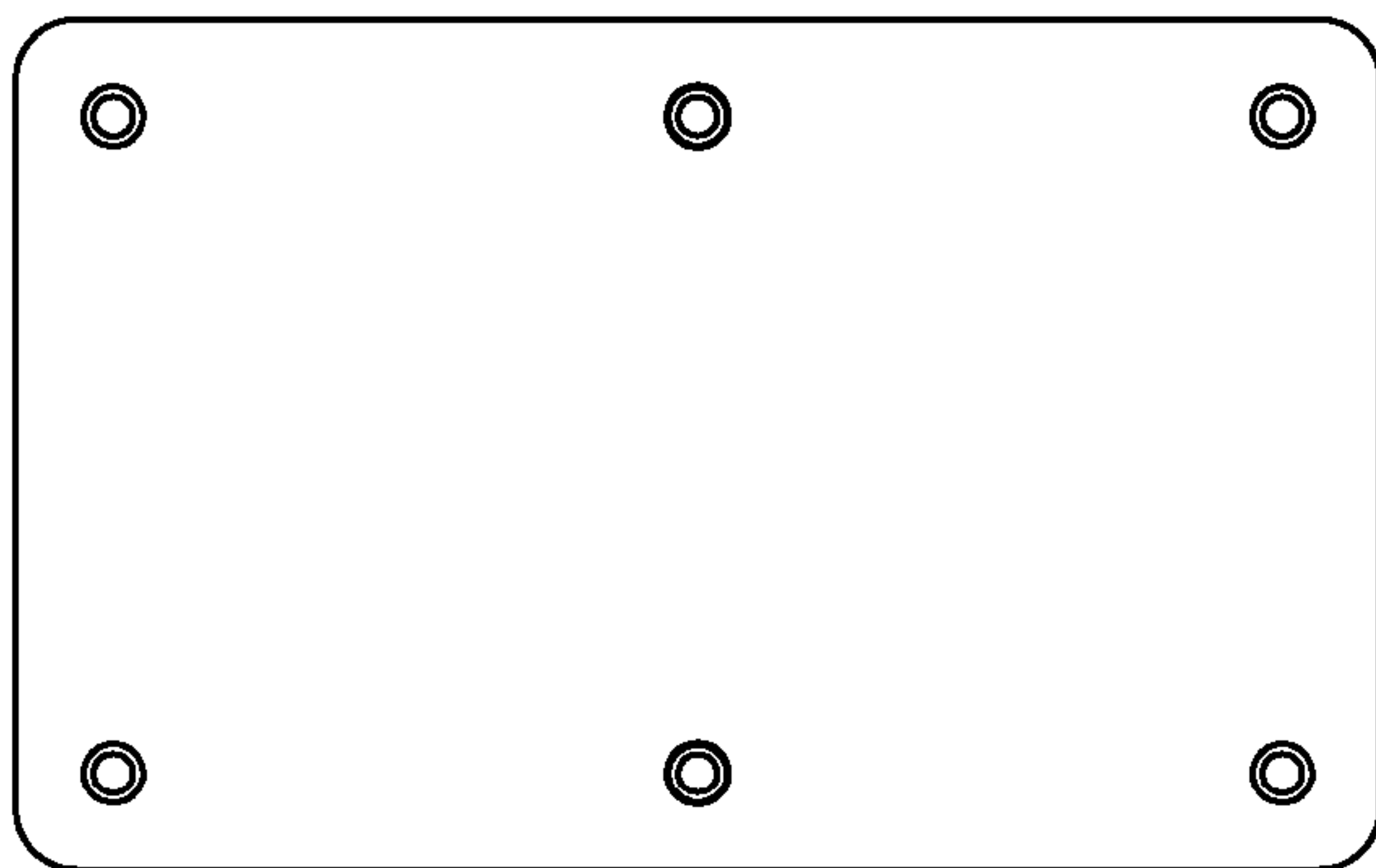


FIG. 5

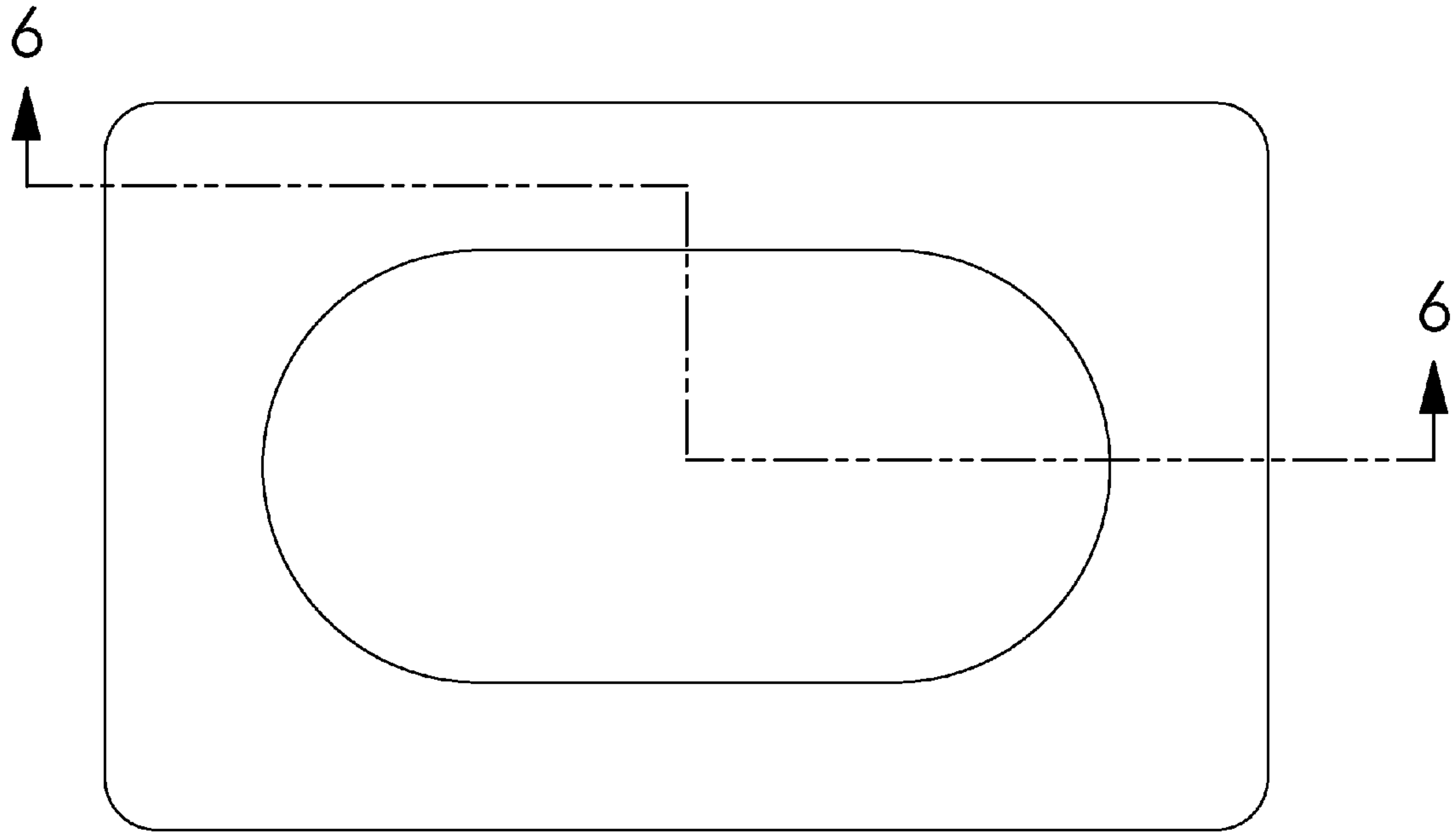
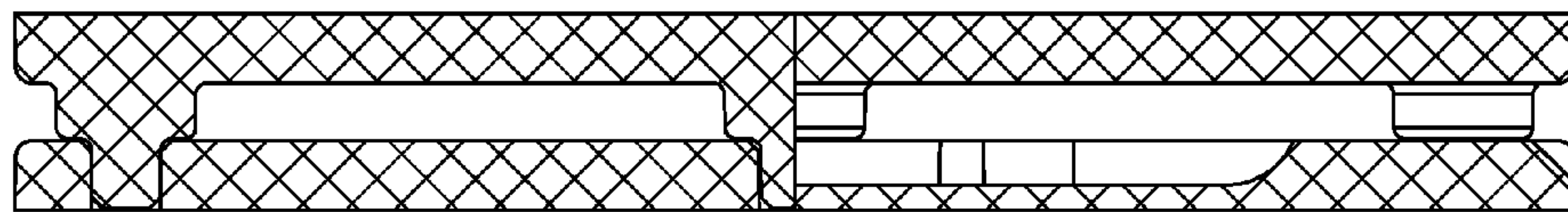


FIG. 6



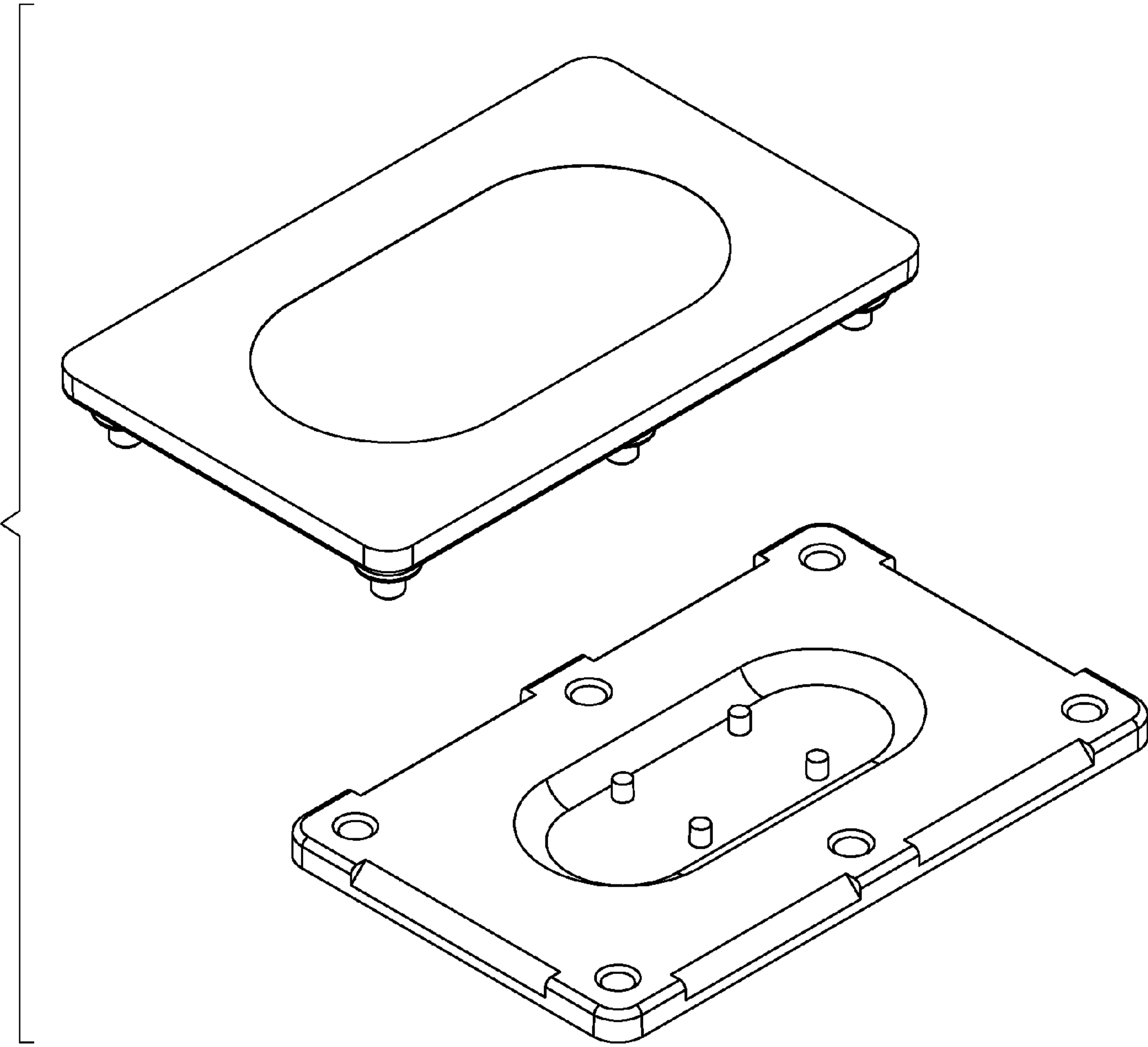


FIG. 8