



US00D670185S

(12) **United States Design Patent**  
**Pobocho et al.**

(10) **Patent No.:** **US D670,185 S**

(45) **Date of Patent:** **\*\* Nov. 6, 2012**

(54) **WEIGHING SCALE DISPLAY**

(75) Inventors: **Zbigniew Pobocho**, Brookside, NJ (US);  
**Neil Olesen**, Millington, NJ (US); **Jose**  
**A. Giron**, West Orange, NJ (US);  
**Michael Albon**, Madison, NJ (US);  
**Richard McAllister O’Grady**,  
Southington, CT (US)

(73) Assignee: **Ohaus Corporation**, Parsippany, NJ  
(US)

(\*\*) Term: **14 Years**

(21) Appl. No.: **29/396,760**

(22) Filed: **Jul. 6, 2011**

(51) **LOC (9) Cl.** ..... **10-04**

(52) **U.S. Cl.** ..... **D10/94; D10/103**

(58) **Field of Classification Search** ..... D10/88-91,  
D10/94, 103; 177/25.13-25.18, 177-182,  
177/211-214, 210 R, 210 C, 210 GM, 210 FP,  
177/210 PP, 210 EM, 148, 236-245, DIG. 3

See application file for complete search history.

(56) **References Cited**

U.S. PATENT DOCUMENTS

6,995,323 B2 \* 2/2006 Kunzi et al. .... 177/25.13  
D598,305 S \* 8/2009 Li et al. .... D10/50

\* cited by examiner

*Primary Examiner* — Antoine D Davis

(74) *Attorney, Agent, or Firm* — Standley Law Group LLP

(57) **CLAIM**

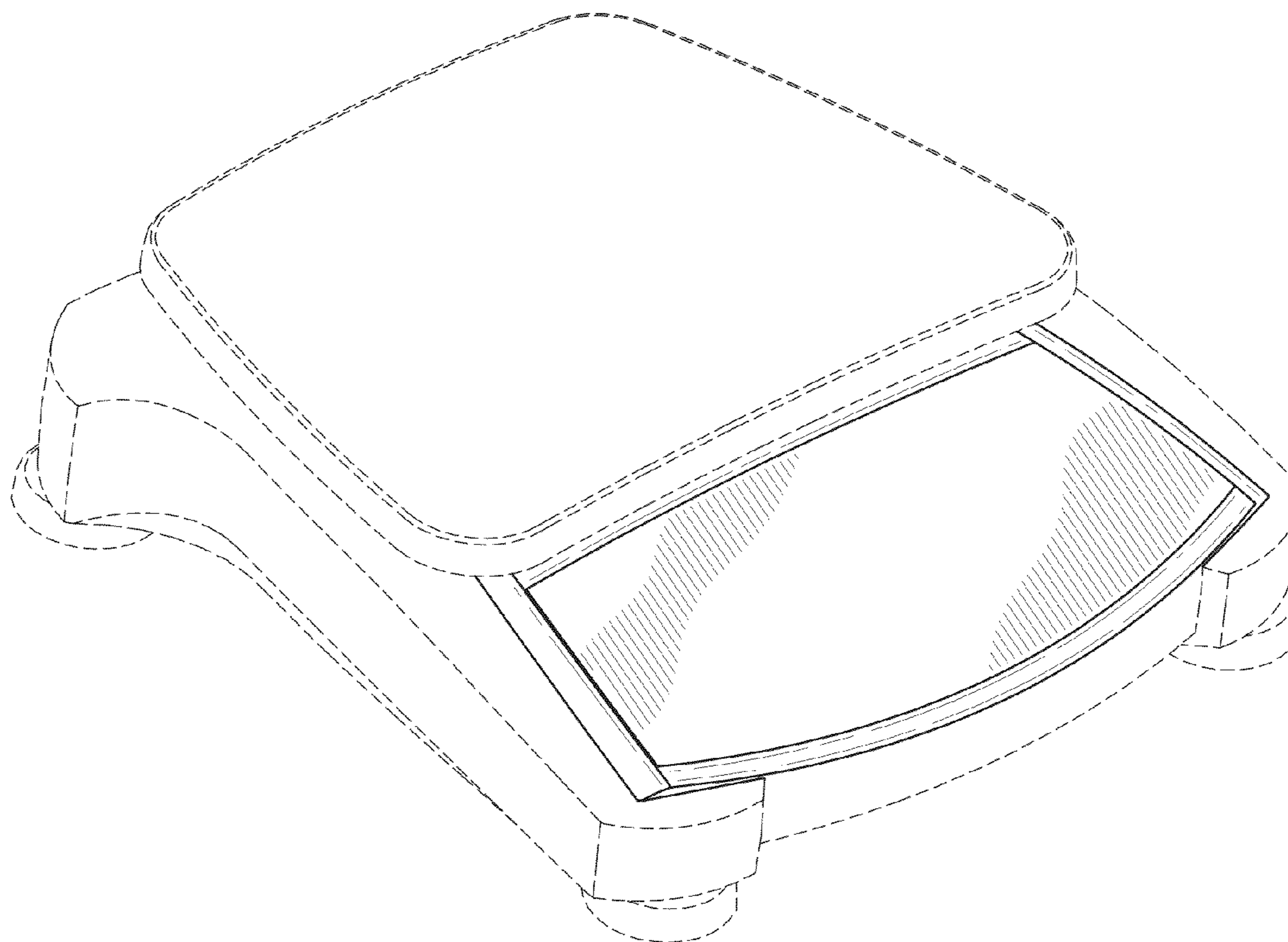
The ornamental design for a weighing scale display, as shown and described above.

**DESCRIPTION**

FIG. 1 is a front-left perspective view of a weighing scale display showing our new design; and, FIG. 2 is a top plan view of the embodiment of FIG. 1.

The broken line portions of the drawing figures are included to show unclaimed subject matter only and form no part of the claimed design.

**1 Claim, 2 Drawing Sheets**



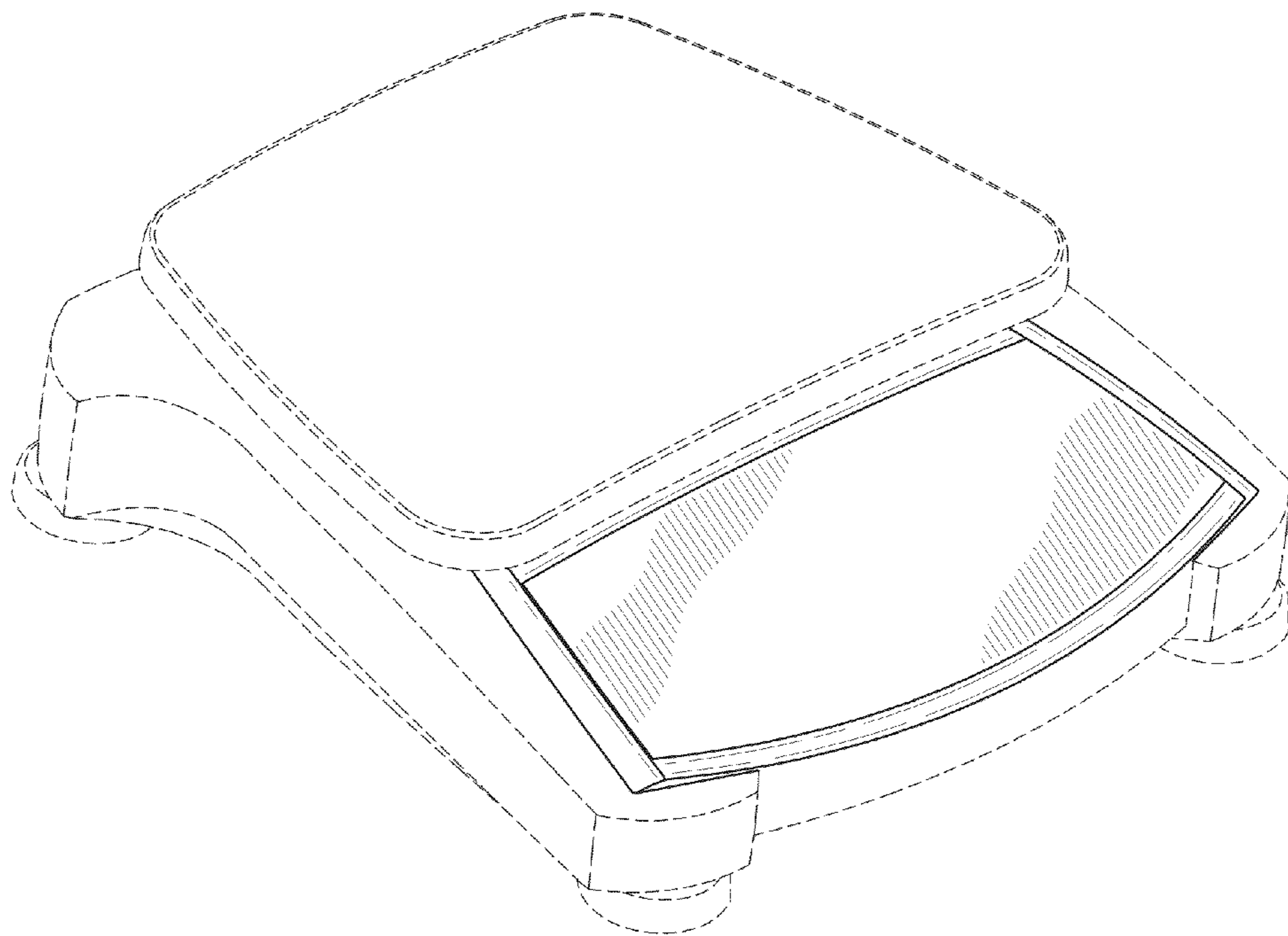


FIG-1

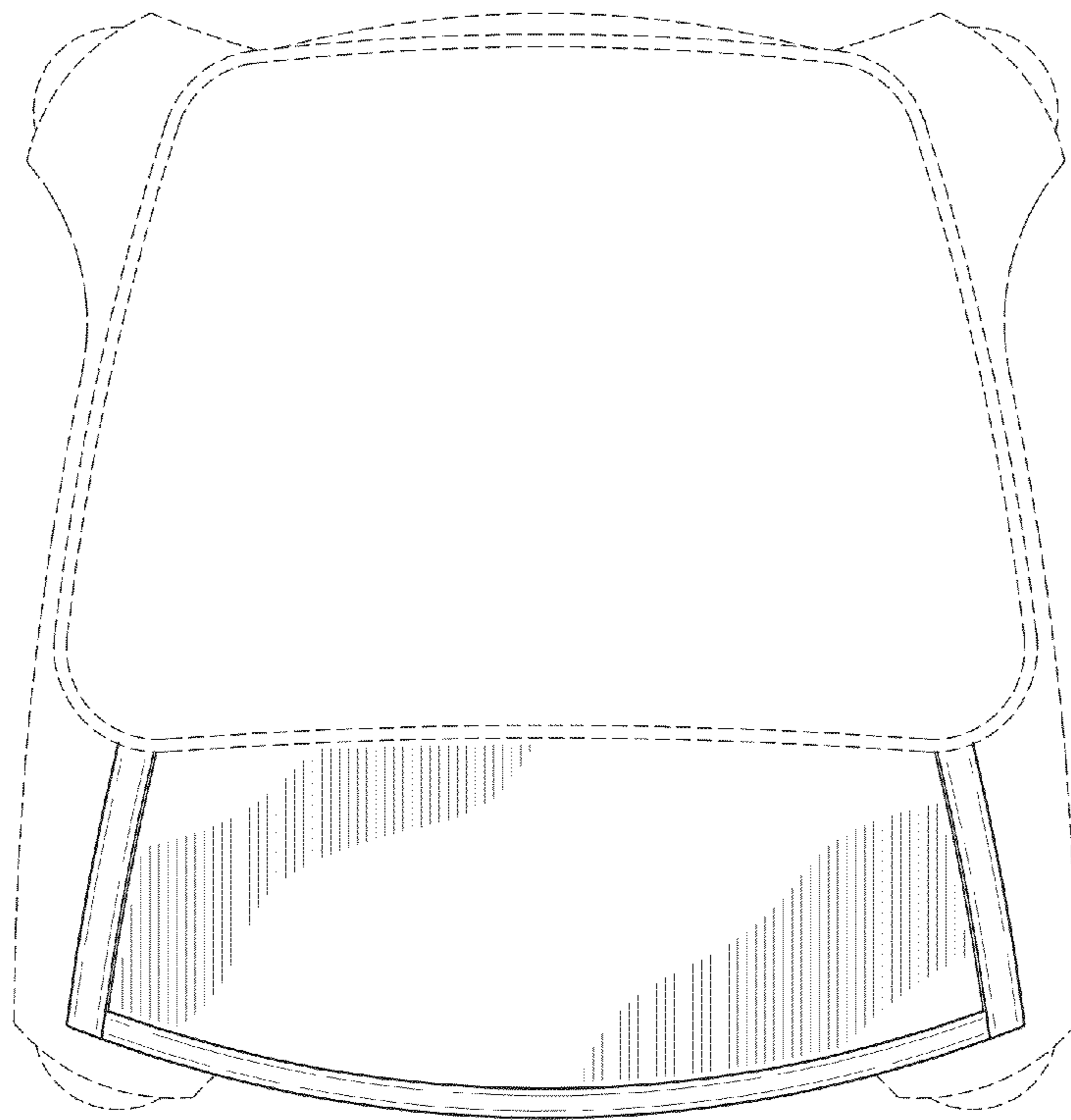


FIG-2