



US00D670183S

(12) **United States Design Patent**
Carl

(10) **Patent No.:** **US D670,183 S**

(45) **Date of Patent:** **** Nov. 6, 2012**

(54) **TAPE MEASURE**

(75) Inventor: **Ross Carl**, River Forest, IL (US)

(73) Assignee: **Sears Brands, L.L.C.**

(**) Term: **14 Years**

(21) Appl. No.: **29/390,997**

(22) Filed: **May 2, 2011**

(51) **LOC (9) Cl.** **10-04**

(52) **U.S. Cl.** **D10/72**

(58) **Field of Classification Search** D10/72,
D10/74; 33/755-771; 242/285, 291, 379,
242/379.1, 379.2, 381, 381.1-381.6, 405
See application file for complete search history.

(56) **References Cited**

U.S. PATENT DOCUMENTS

D578,910 S	*	10/2008	Deguglimo et al.	D10/72
D597,426 S	*	8/2009	Huang	D10/72
D653,973 S	*	2/2012	Robinson et al.	D10/72

2012/0073156 A1* 3/2012 DeLaRosa et al. 33/770
* cited by examiner

Primary Examiner — Antoine D Davis

(74) *Attorney, Agent, or Firm* — McAndrews, Held & Malloy, Ltd.

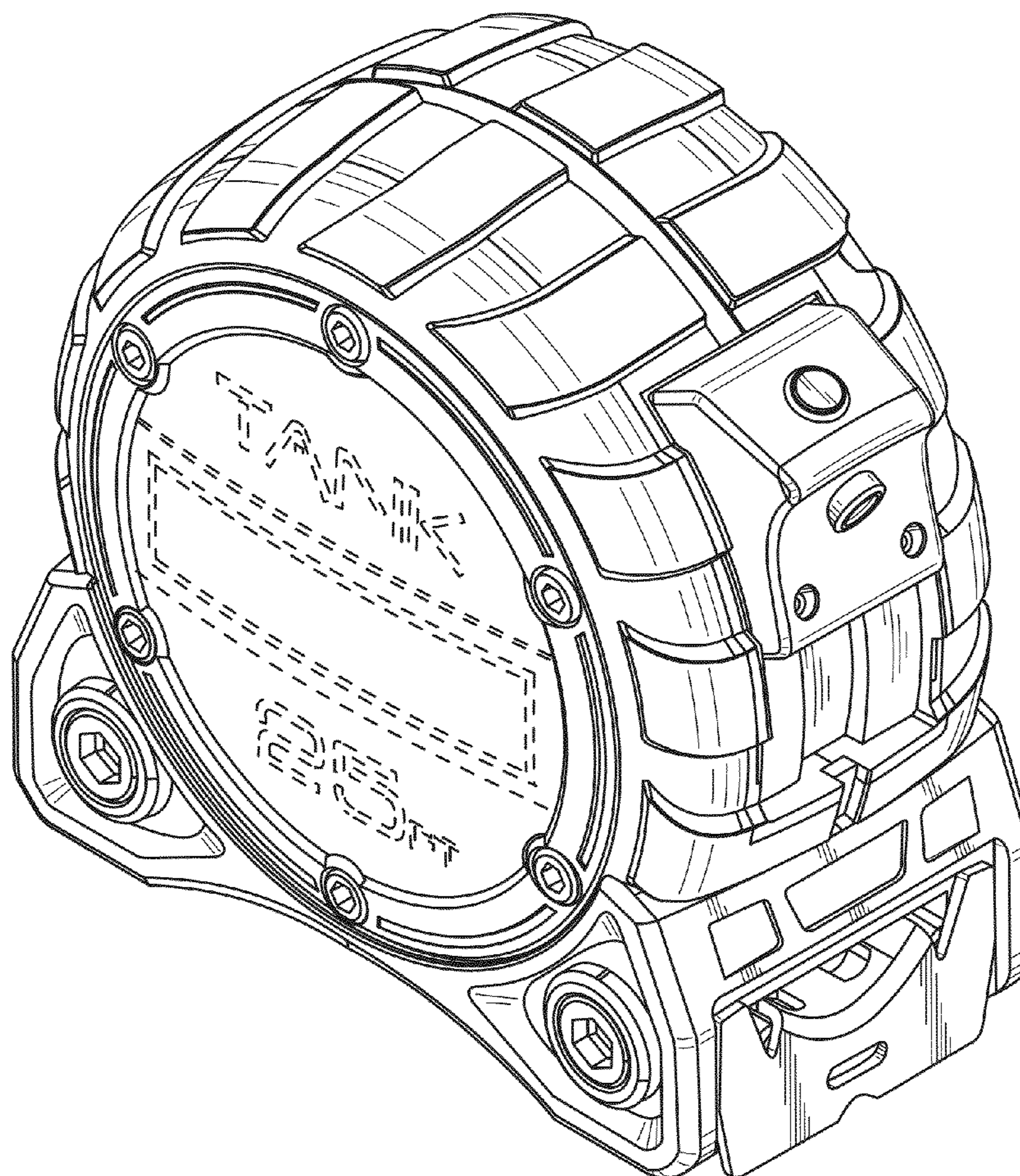
(57) **CLAIM**

The ornamental design for a tape measure, as shown and described.

DESCRIPTION

FIG. 1 is a perspective view of a tape measure showing the new design;
FIG. 2 is a right side elevational view thereof;
FIG. 3 is a left side elevational view thereof;
FIG. 4 is a rear elevational view thereof;
FIG. 5 is a front elevational view thereof;
FIG. 6 is a top plan view thereof; and,
FIG. 7 is a bottom plan view thereof.
The elements shown in dotted lines are provided for illustrative purposes only and form no part of the design claimed.

1 Claim, 6 Drawing Sheets



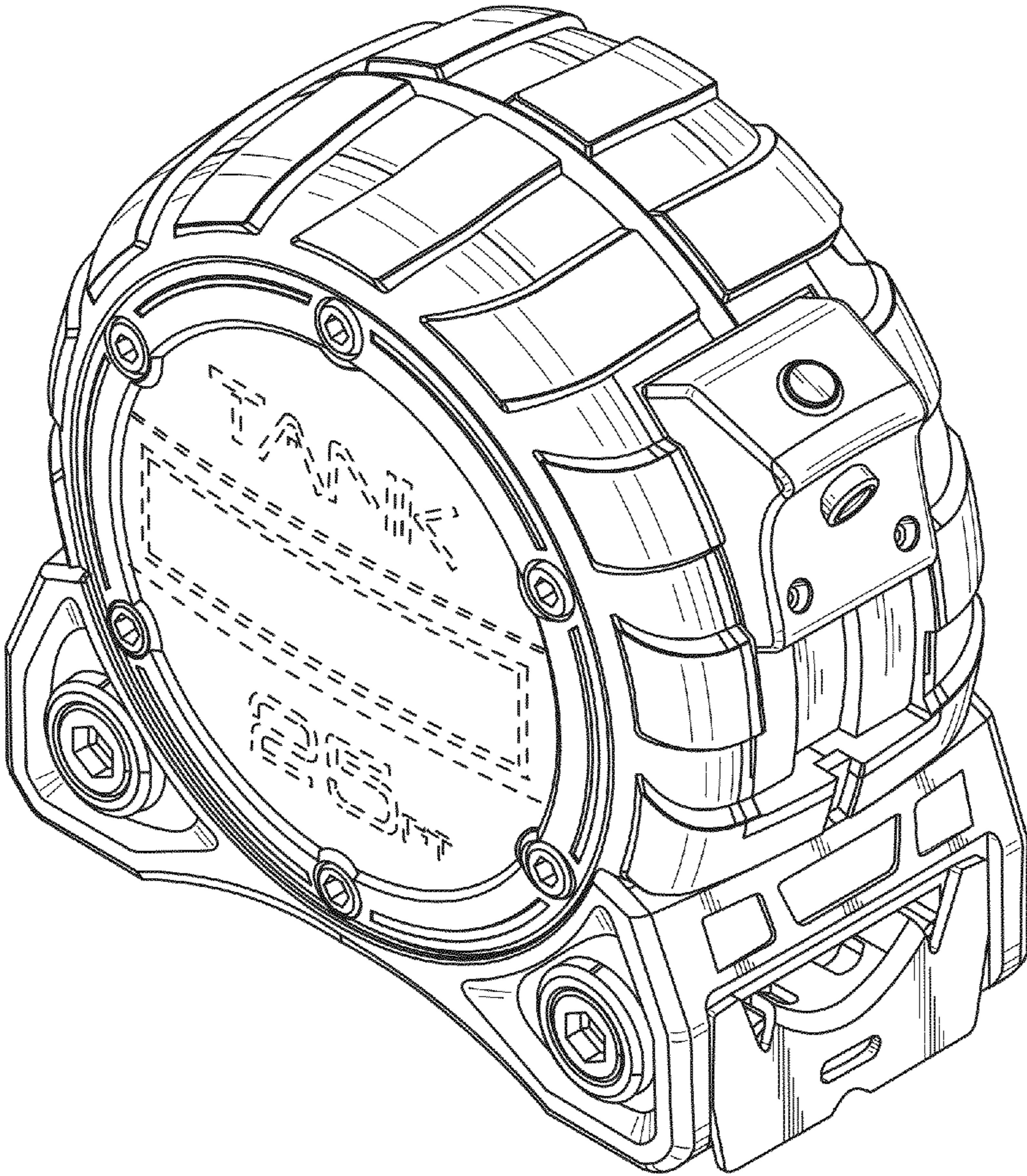


FIG. 1

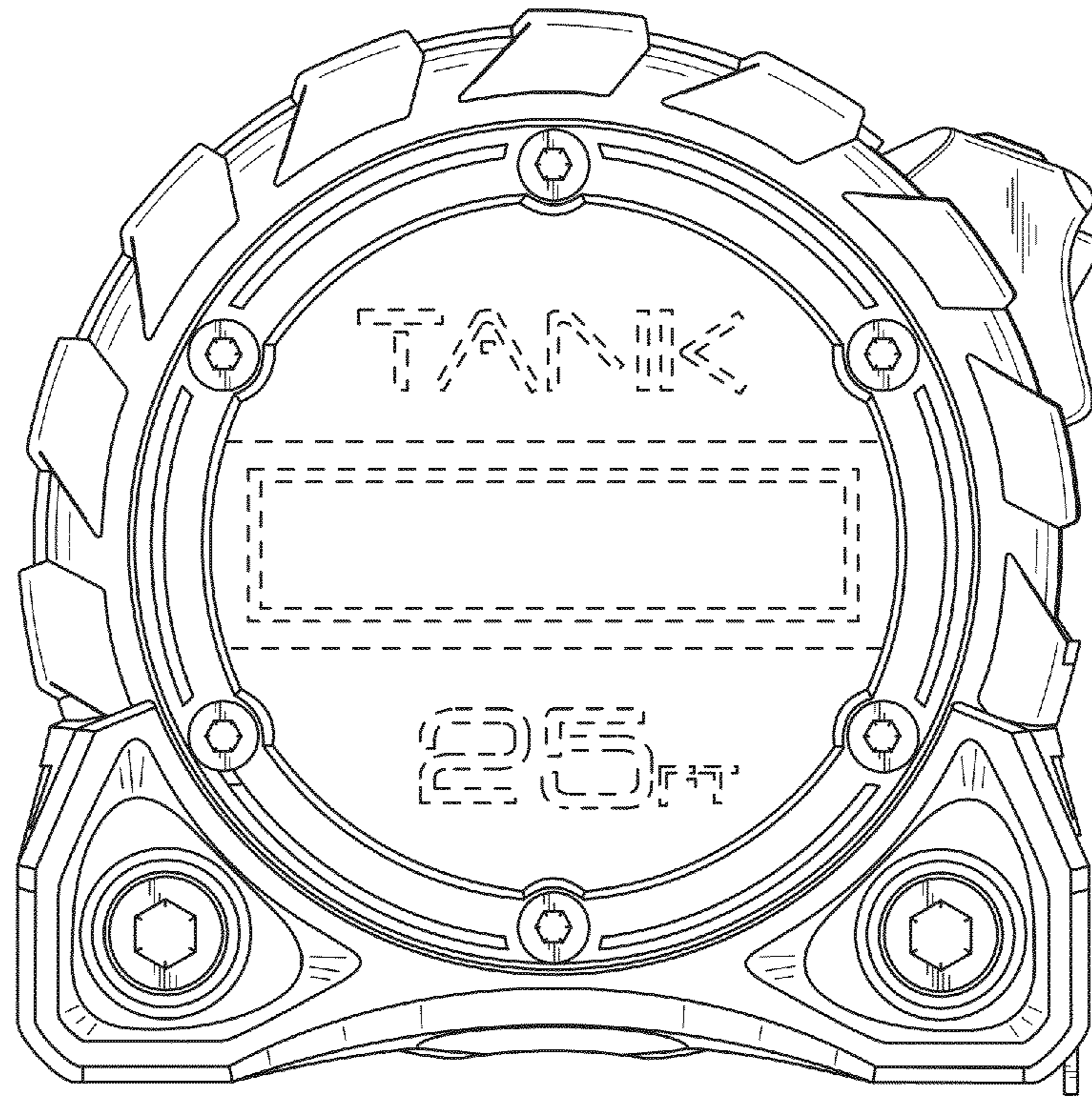


FIG. 2

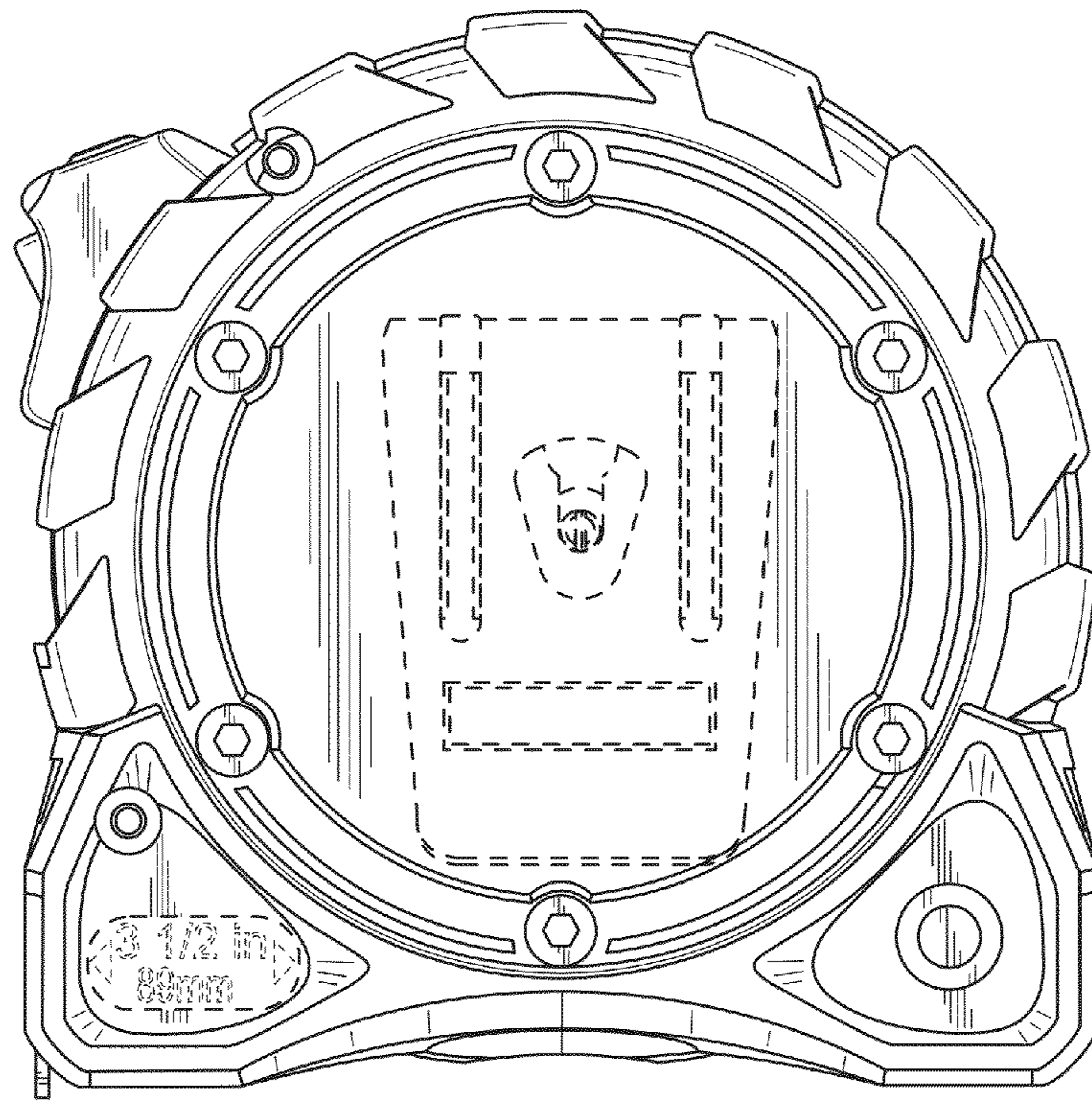


FIG. 3

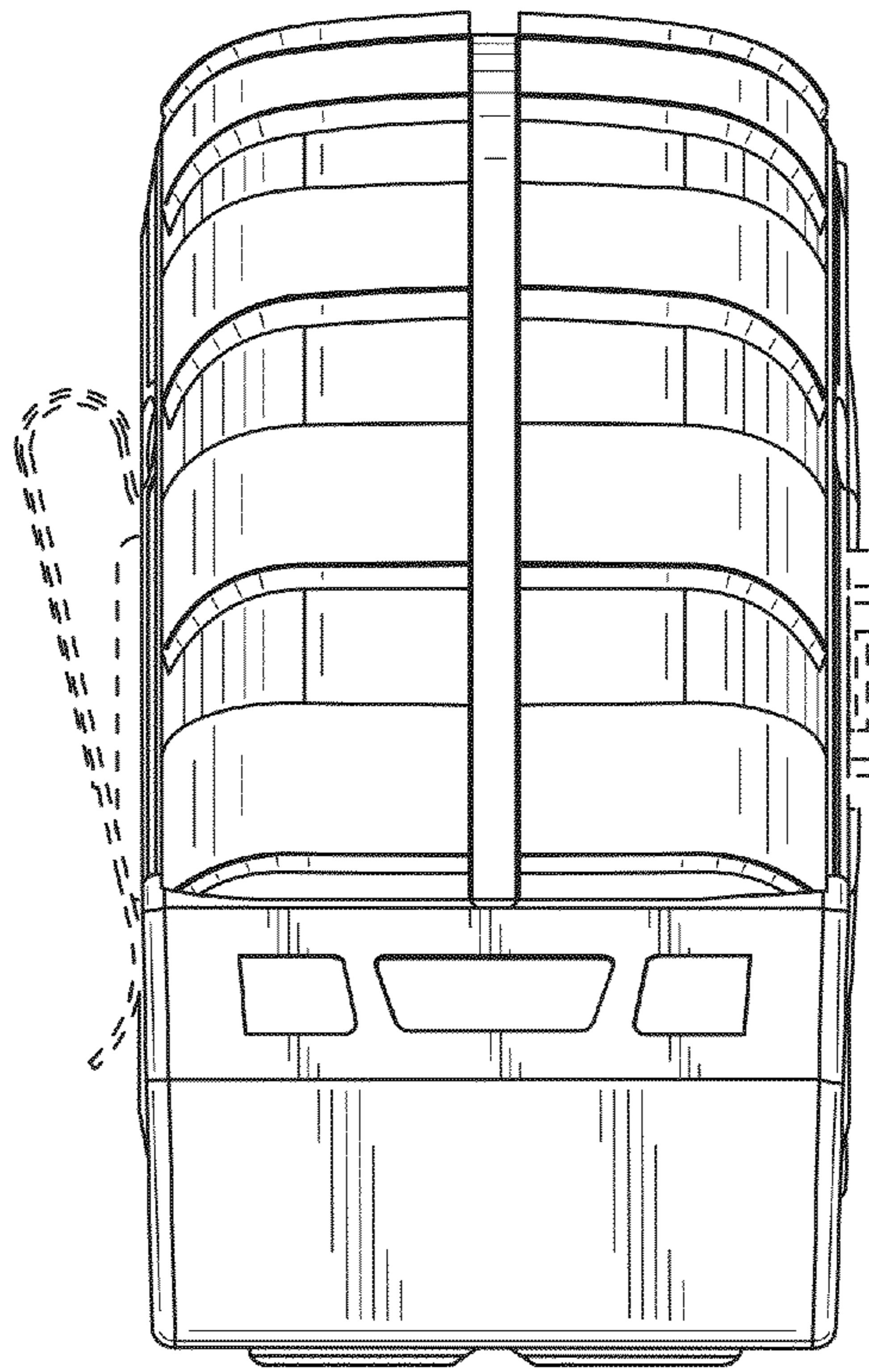


FIG. 4

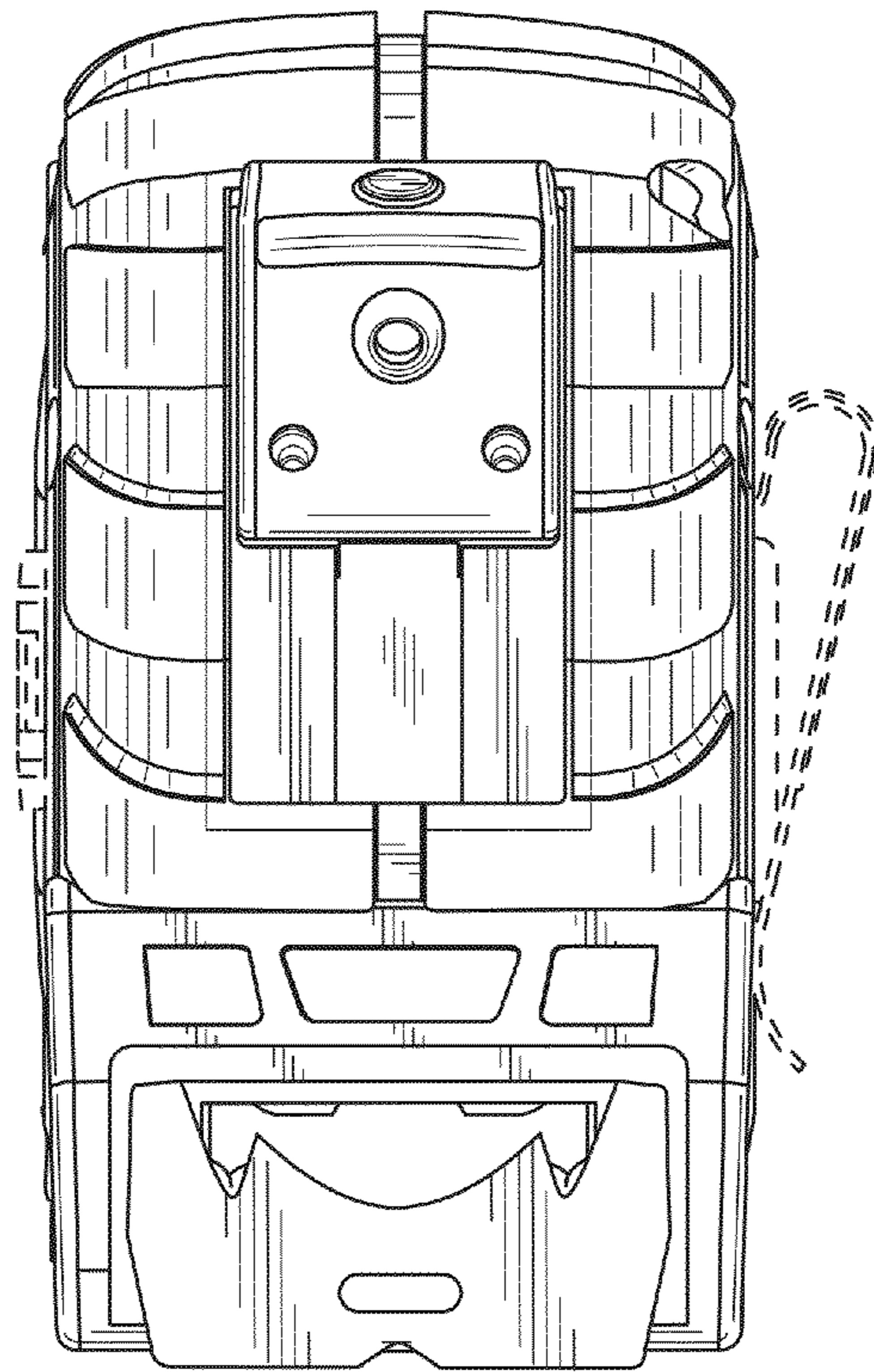


FIG. 5

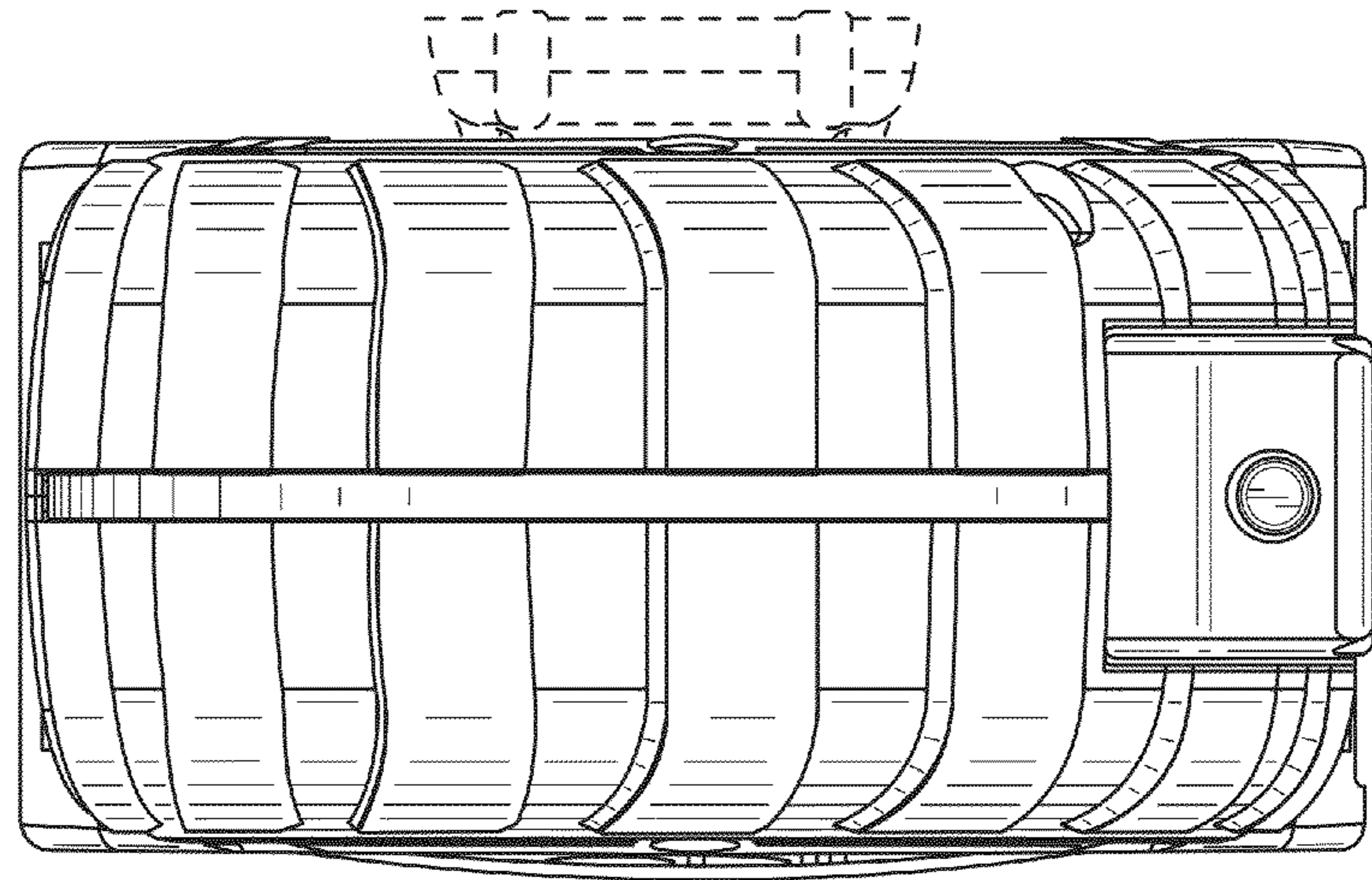


FIG. 6

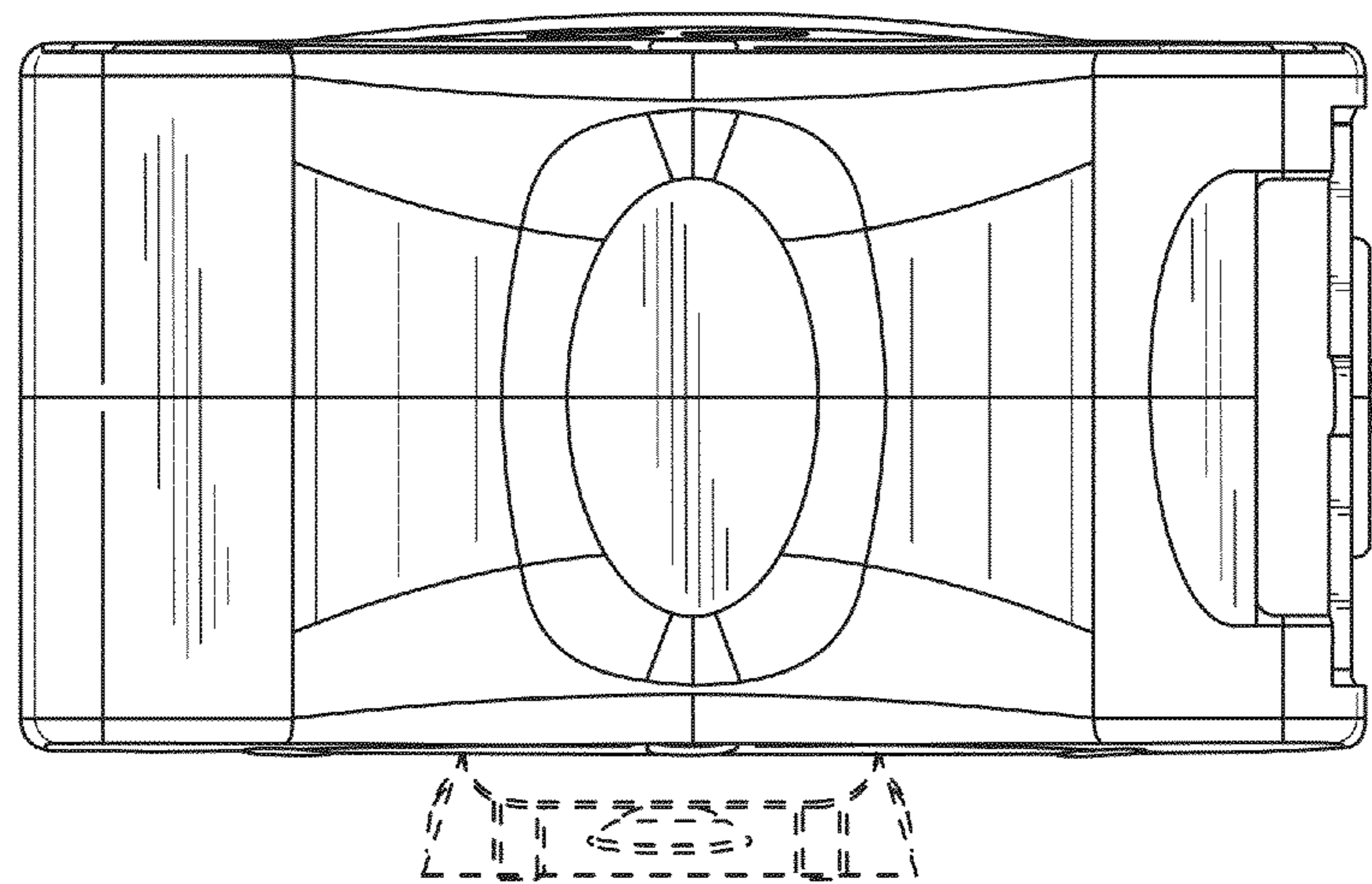


FIG. 7