



US00D670179S

(12) **United States Design Patent**  
**Yarden et al.**

(10) **Patent No.:** **US D670,179 S**

(45) **Date of Patent:** **\*\* Nov. 6, 2012**

(54) **MOTHER'S TOUCH THERMOMETER**

(75) Inventors: **Moshe Yarden**, Mevasseret Zion (IL);  
**Gideon Ashkenazi**, Ra'anana (IL);  
**Moran Rubinstein**, Ra'anana (IL)

(73) Assignee: **Medisim Ltd.**, Neve Ilan (IL)

(\*\*) Term: **14 Years**

(21) Appl. No.: **29/387,679**

(22) Filed: **Mar. 16, 2011**

(51) **LOC (9) Cl.** ..... **10-04**

(52) **U.S. Cl.** ..... **D10/57**

(58) **Field of Classification Search** ..... D10/57;  
374/1-208; 600/549, 519, 520, 300; 224/152;  
368/88, 294, 295; 482/8

See application file for complete search history.

(56) **References Cited**

**U.S. PATENT DOCUMENTS**

5,205,449 A \* 4/1993 Davies ..... 224/152

D339,535 S \* 9/1993 Wilson ..... D10/74  
D414,435 S \* 9/1999 Nahon ..... D10/57  
8,064,292 B2 \* 11/2011 Burton ..... 368/88

\* cited by examiner

*Primary Examiner* — Antoine D Davis

(74) *Attorney, Agent, or Firm* — Suhgrue Mion, PLLC

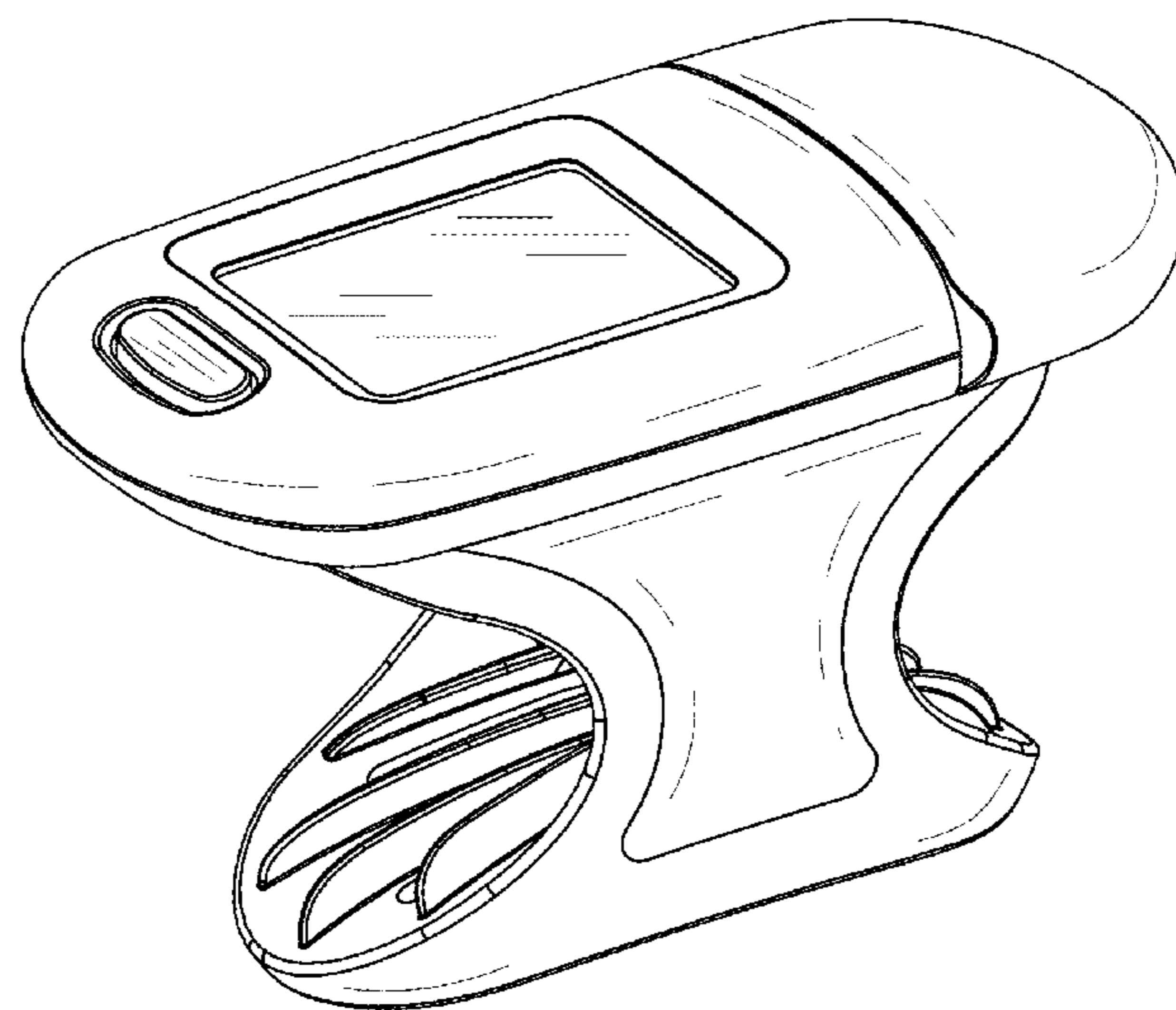
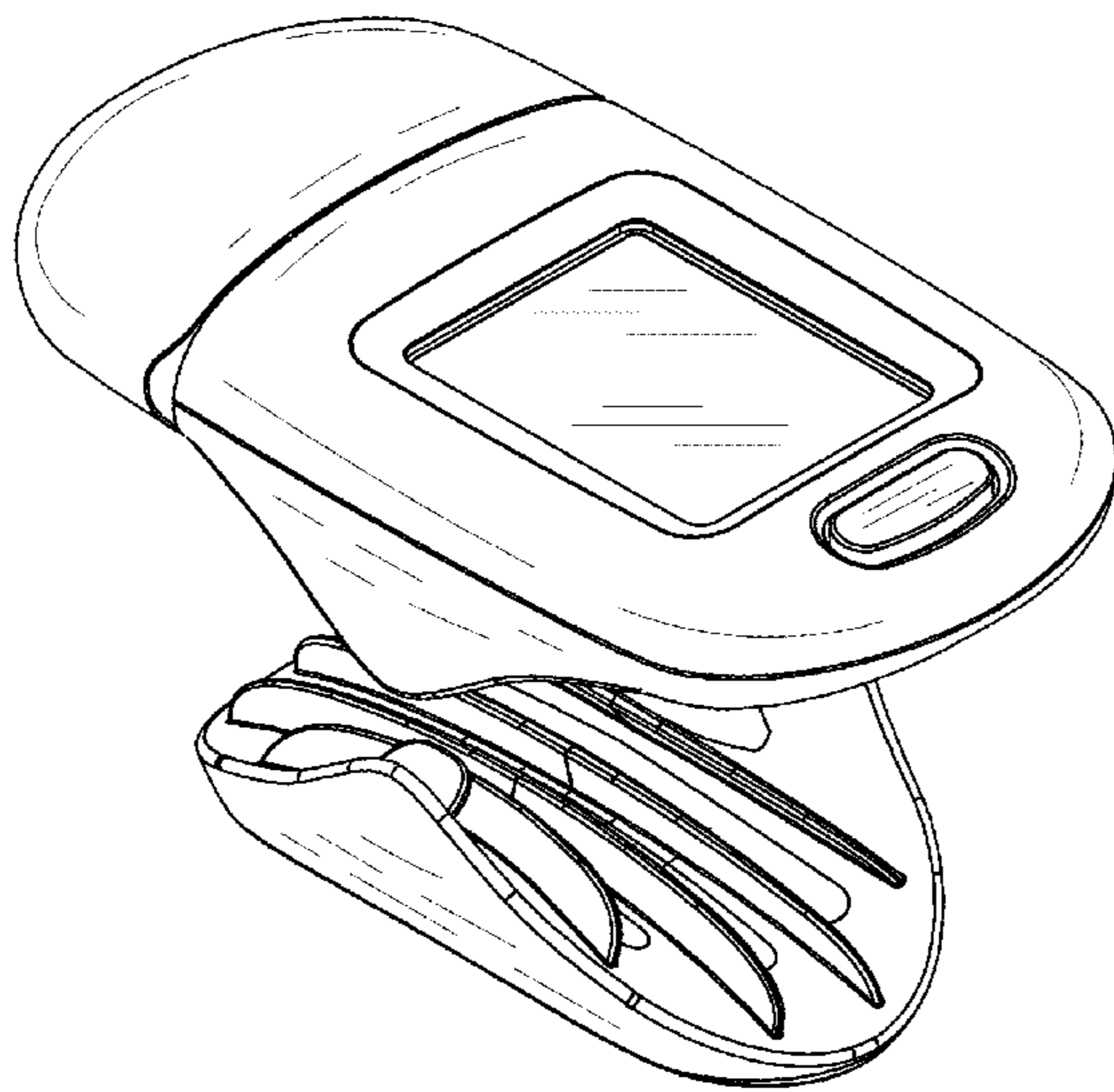
(57) **CLAIM**

The ornamental design for a mother's touch thermometer, as shown and described.

**DESCRIPTION**

FIG. 1 is a top left perspective view of the mother's touch thermometer of our invention;  
FIG. 2 is a top right perspective view thereof;  
FIG. 3 is a left side view thereof;  
FIG. 4 is a right side view thereof;  
FIG. 5 is a back view thereof;  
FIG. 6 is a front view thereof;  
FIG. 7 is a top view thereof; and,  
FIG. 8 is a bottom view thereof.

**1 Claim, 4 Drawing Sheets**



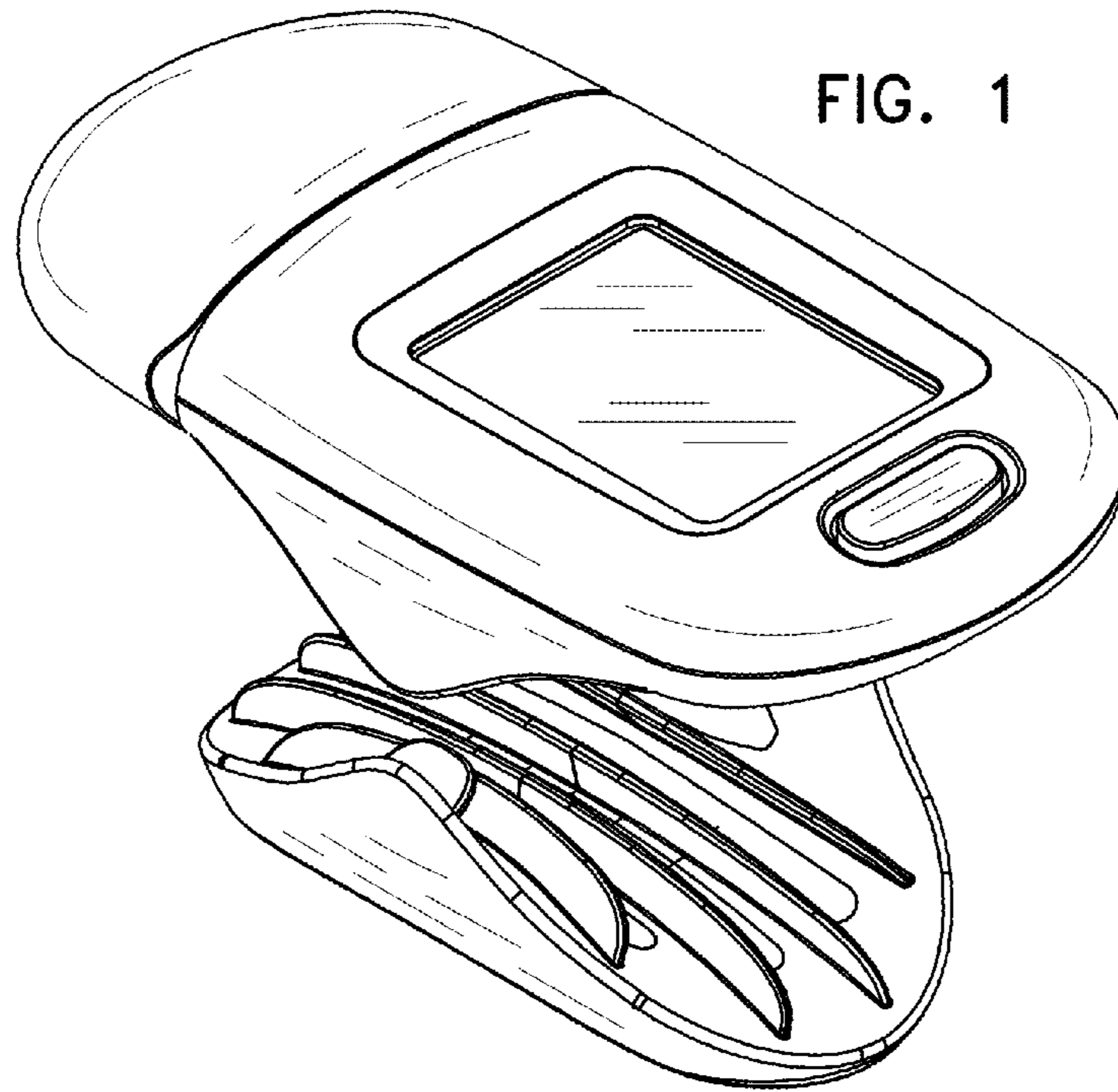


FIG. 1

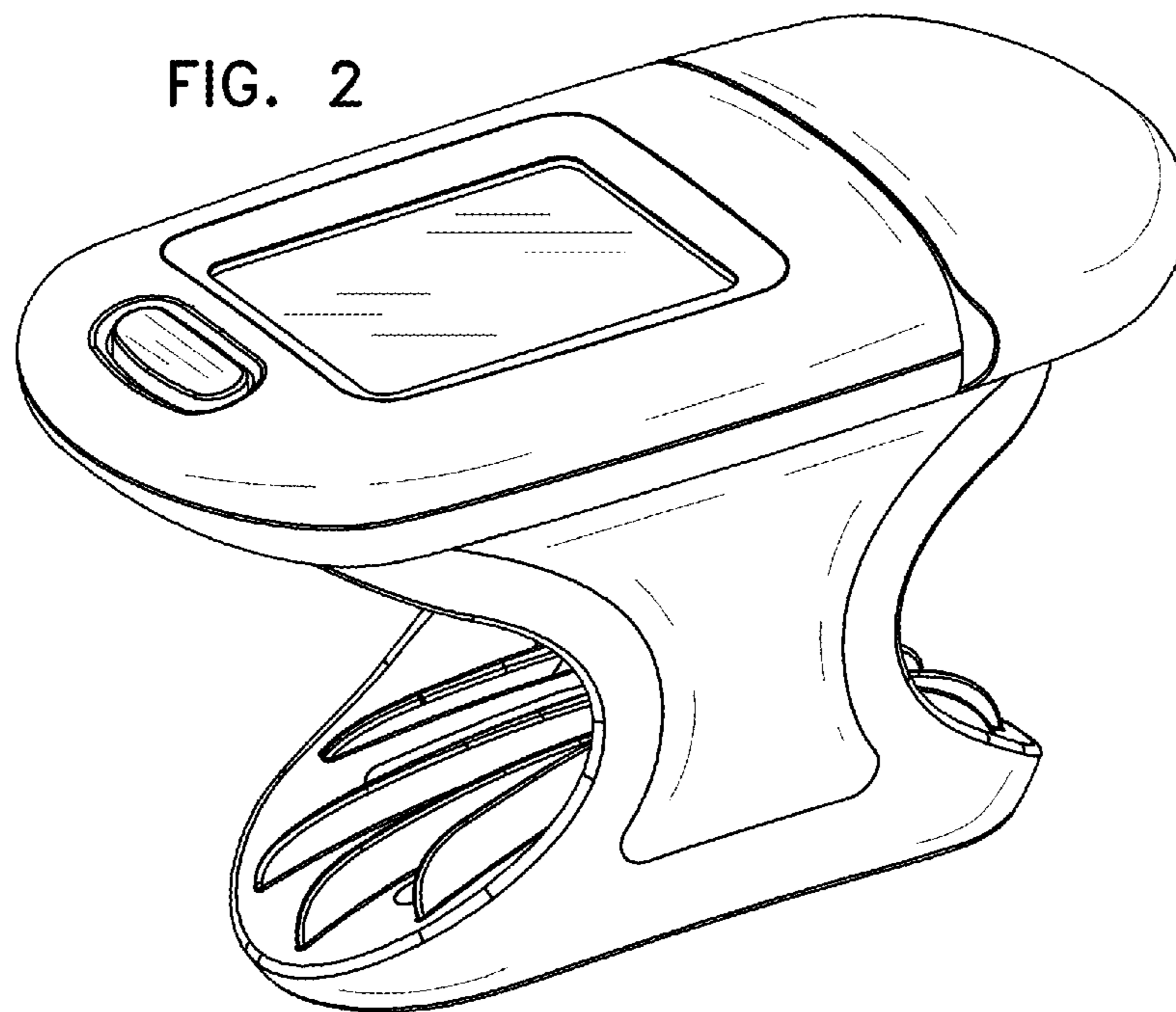


FIG. 2

FIG. 3

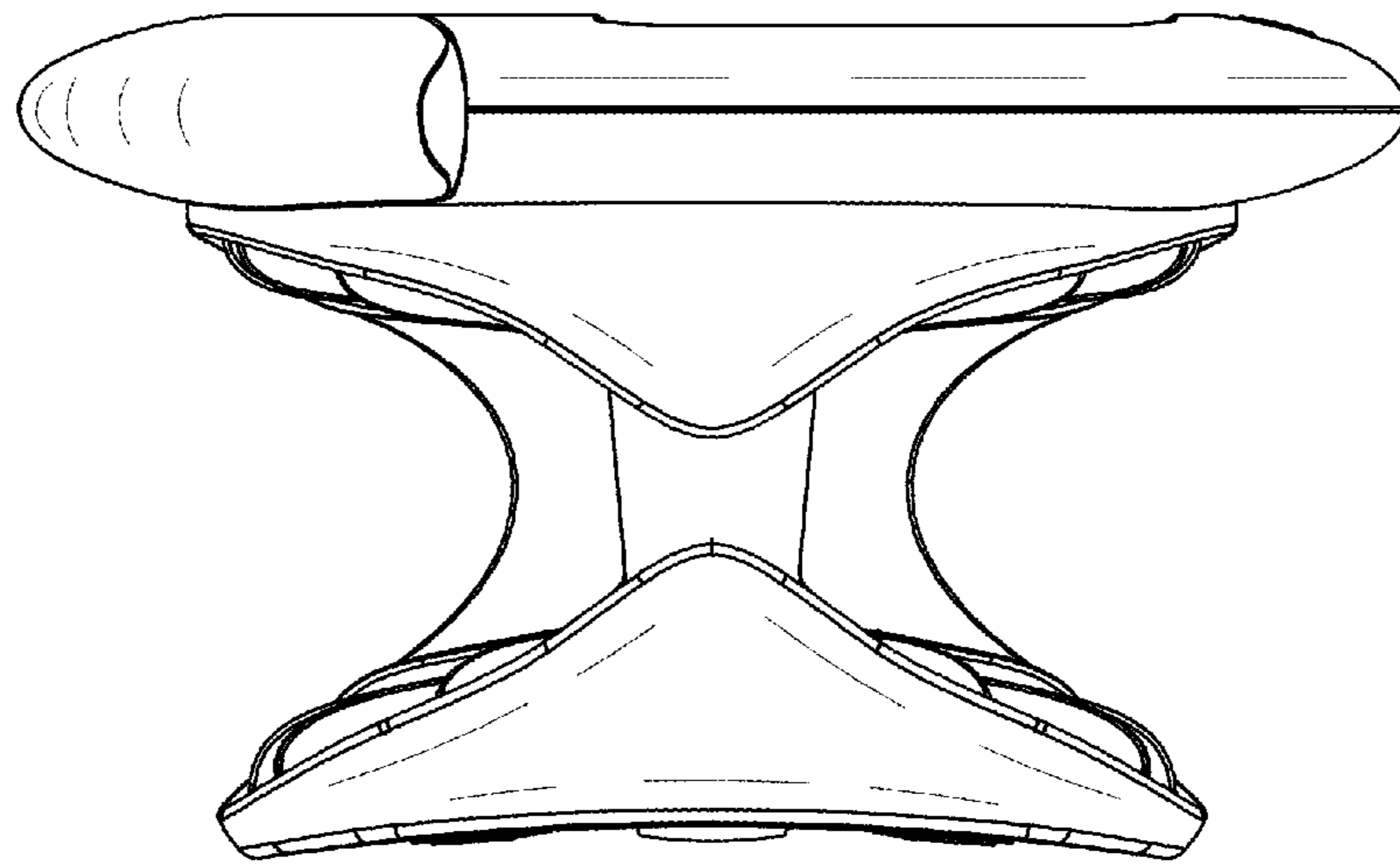


FIG. 4

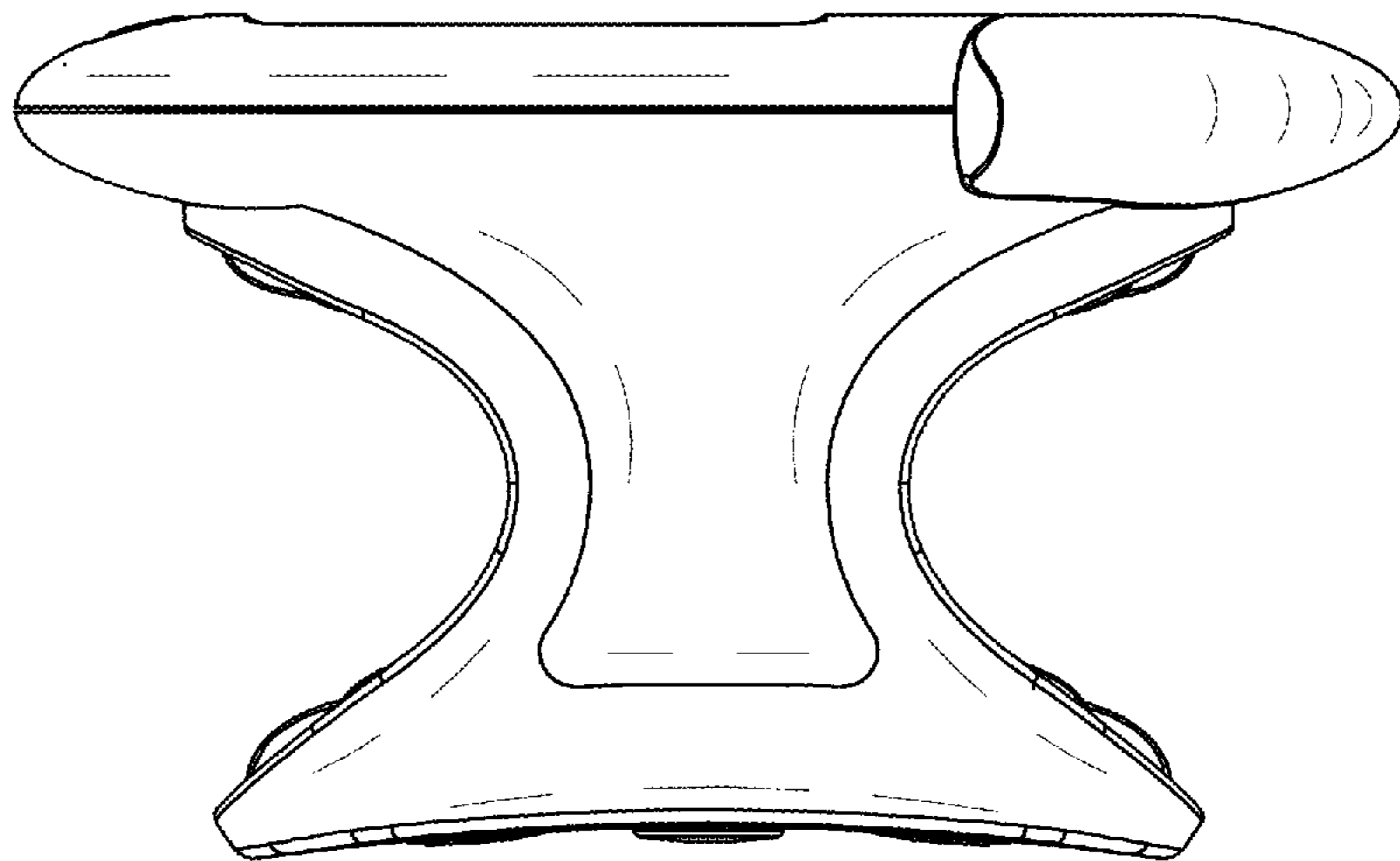


FIG. 5

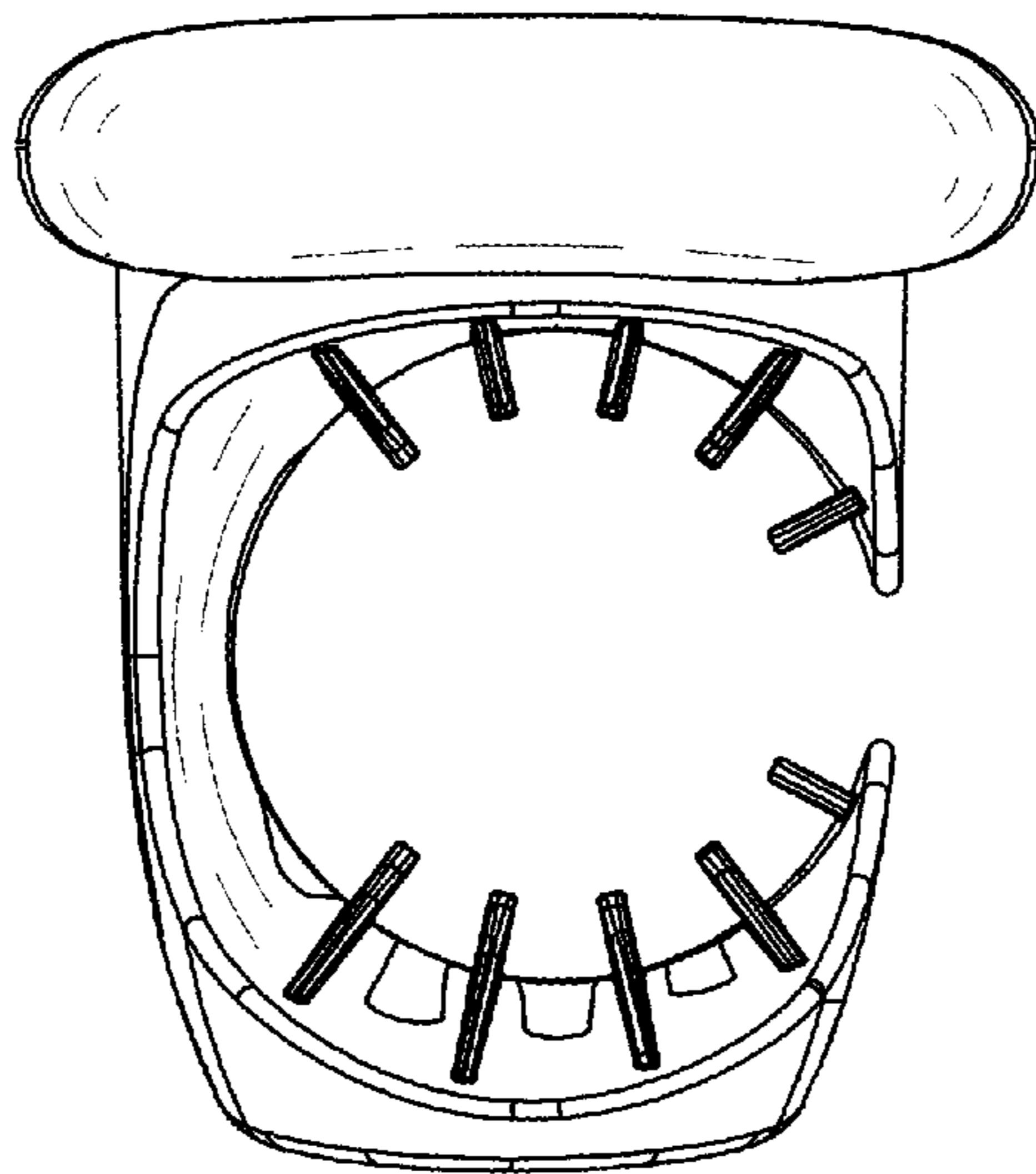


FIG. 6

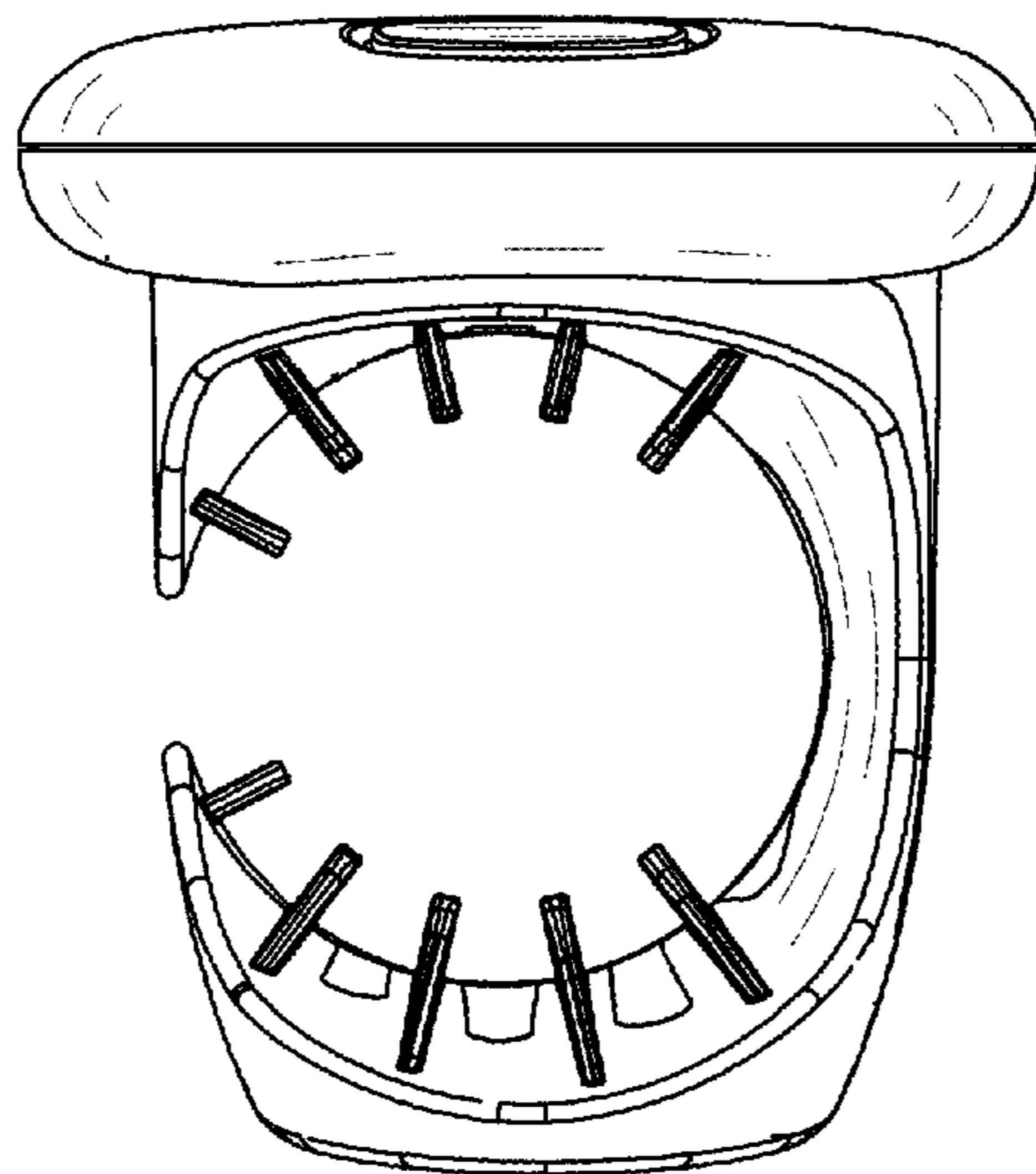


FIG. 7

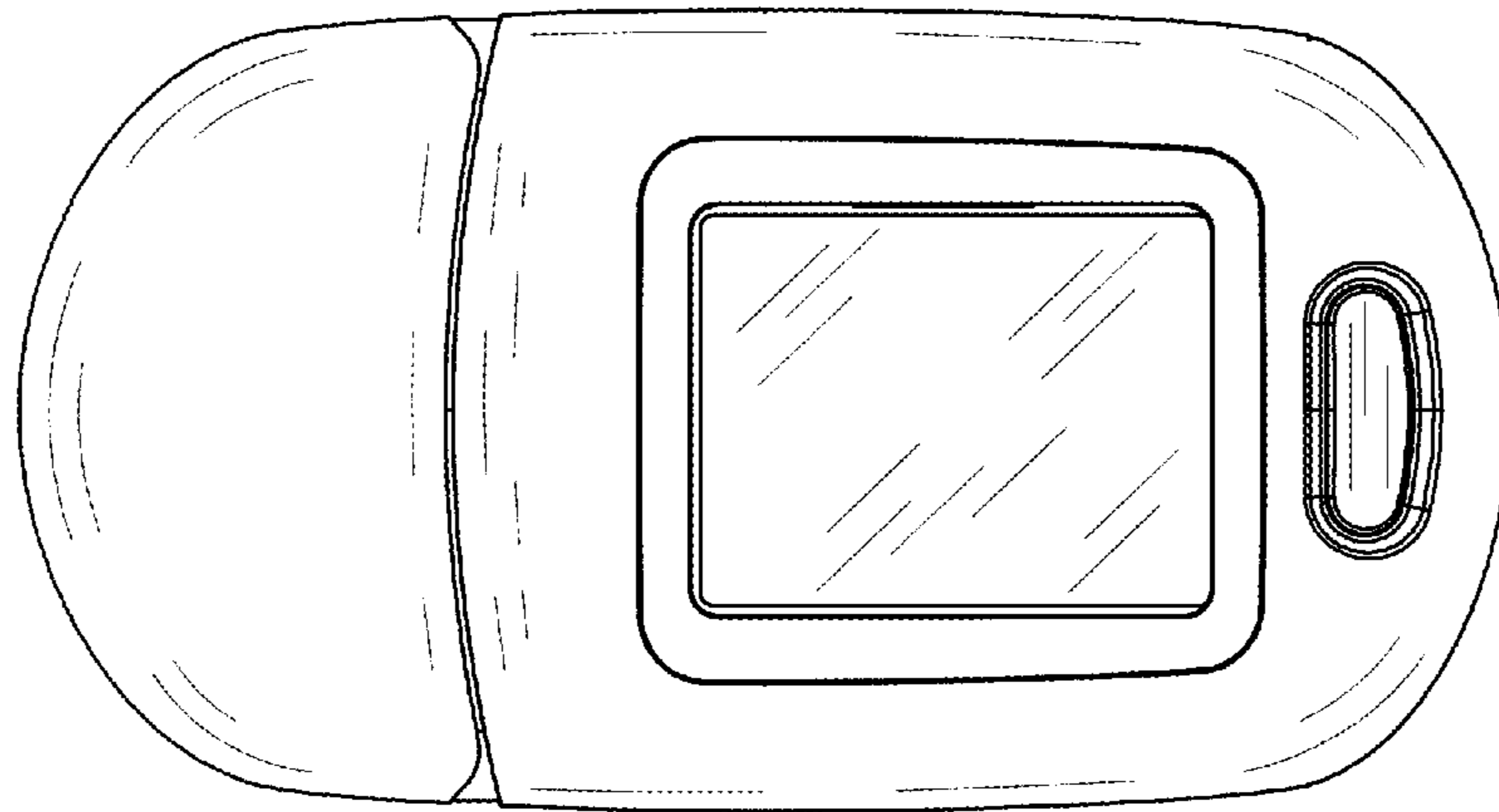


FIG. 8

