



US00D670178S

(12) **United States Design Patent**  
**Carson**

(10) **Patent No.:** **US D670,178 S**  
(45) **Date of Patent:** **\*\* Nov. 6, 2012**

(54) **MEDICATION PACKAGING ASSEMBLY**  
(75) Inventor: **Bradley Carson**, Ottawa Hills, OH (US)  
(73) Assignee: **Omnicare, Inc.**, Cincinnati, OH (US)  
(\*\*) Term: **14 Years**  
(21) Appl. No.: **29/393,507**

(22) Filed: **Jun. 6, 2011**  
(51) **LOC (9) Cl.** ..... **09-03**  
(52) **U.S. Cl.** ..... **D9/756; D9/425; D9/416; D9/707**  
(58) **Field of Classification Search** ..... D9/414,  
D9/418, 430-432, 520, 521, 702, 703, 707,  
D9/710, 711, 730, 761, 424, 425, 732, 737,  
D9/756; D7/590, 600.1; D24/118, 207;  
215/325; 222/92, 95, 102, 145.1, 183, 215;  
383/9, 22, 59, 60, 901; 128/114.1, DIG. 24  
See application file for complete search history.

(56) **References Cited**

**U.S. PATENT DOCUMENTS**

1,438,487	A *	12/1922	Greene	.....	222/215
2,138,241	A *	11/1938	Koch et al.	.....	229/117.26
3,497,982	A	3/1970	Schulz		
3,737,026	A	6/1973	Whitecar		
D250,880	S *	1/1979	Stone et al.	.....	D9/707
D272,317	S *	1/1984	Parmentier	.....	D9/732
D273,765	S *	5/1984	Cillario	.....	D9/761
4,473,156	A	9/1984	Martin		
4,474,294	A	10/1984	Koppelmans		
D304,679	S *	11/1989	Corella	.....	D9/734
D305,729	S *	1/1990	Bridel	.....	D9/756
5,014,851	A	5/1991	Wick		
D321,826	S *	11/1991	Page	.....	D9/707
5,325,968	A	7/1994	Sowden		
5,368,187	A	11/1994	Poncetta et al.		
D353,081	S *	12/1994	Drewes et al.	.....	D7/701
5,377,839	A	1/1995	Relyea et al.		
5,425,474	A	6/1995	Dalea et al.		
5,542,539	A	8/1996	Early		
D390,457	S *	2/1998	Hoska et al.	.....	D9/707
D392,562	S	3/1998	Lo		
5,775,505	A	7/1998	Vasquez et al.		
5,788,079	A	8/1998	Bouthiette		
5,988,367	A	11/1999	Gemma, Jr. et al.		
D417,840	S *	12/1999	Alpert	.....	D24/226
6,041,932	A	3/2000	Holmberg		

D430,023	S *	8/2000	Shurtleff et al.	.....	D9/425
6,155,423	A	12/2000	Katzner et al.		
6,158,585	A	12/2000	Labat et al.		
D440,871	S	4/2001	Lo		
D440,874	S *	4/2001	Shurtleff et al.	.....	D9/425
D445,674	S *	7/2001	Pritchett	.....	D9/707
6,293,403	B1	9/2001	Holmberg		
6,375,956	B1	4/2002	Hermelin et al.		

(Continued)

*Primary Examiner* — Mark Goodwin

(74) *Attorney, Agent, or Firm* — Wood, Herron & Evans, LLP

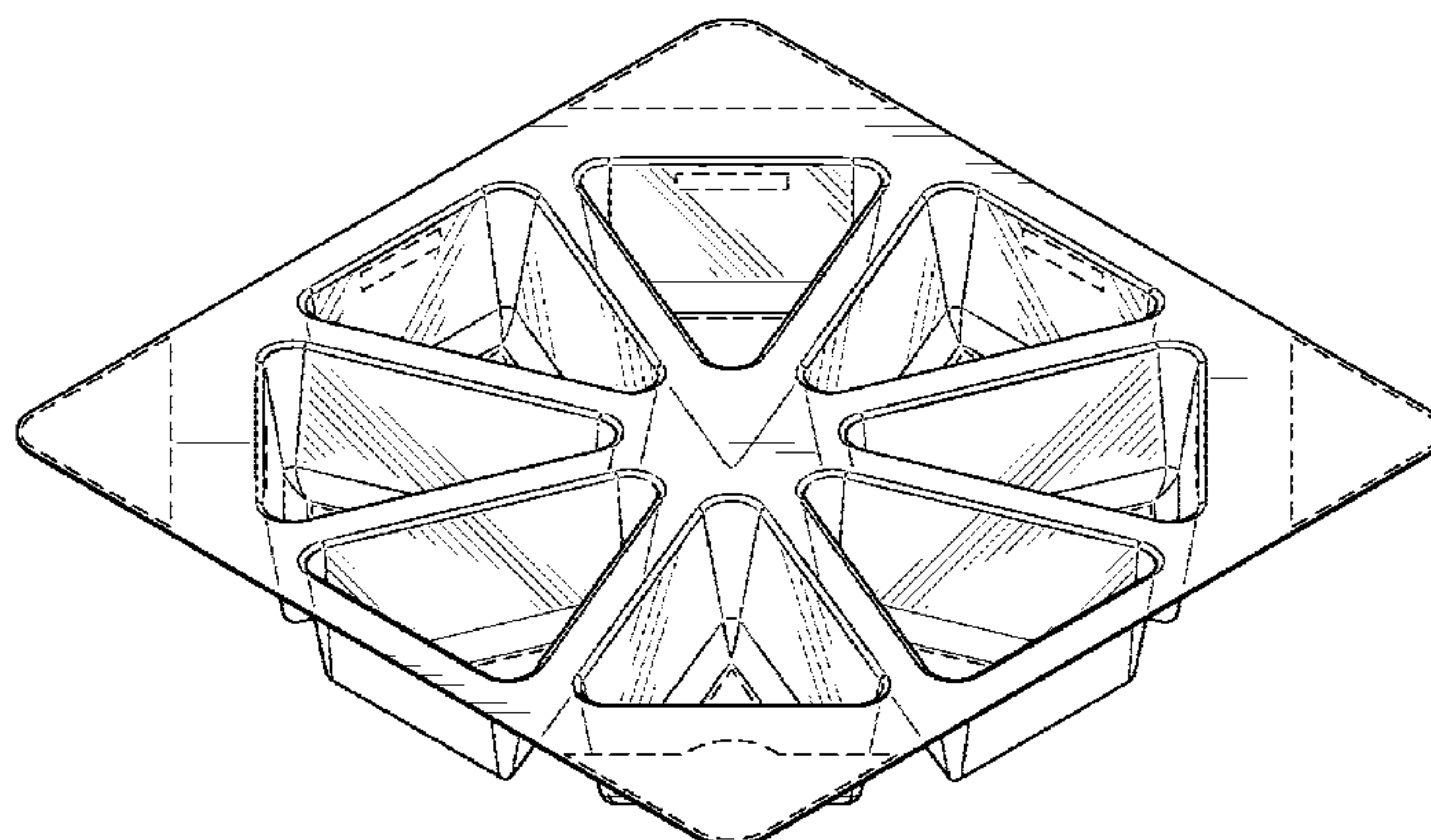
(57) **CLAIM**

The ornamental design for medication packaging assembly, as shown and described.

**DESCRIPTION**

FIG. 1 is a top perspective view of a first embodiment of a medication packaging assembly showing the body portion of my new design;  
 FIG. 2 is a bottom perspective view thereof;  
 FIG. 3 is a top plan view thereof;  
 FIG. 4 is a cross-sectional view thereof taken along line 4-4 of FIG. 3;  
 FIG. 5 is a front view thereof;  
 FIG. 6 is a right side view thereof;  
 FIG. 7 is a rear view thereof;  
 FIG. 8 is a left side view thereof;  
 FIG. 9 is a bottom plan view thereof;  
 FIG. 10 is a top perspective view of a second embodiment of a medication packaging assembly showing my new design in assembled condition;  
 FIG. 11 is a bottom perspective view thereof;  
 FIG. 12 is a top plan view thereof;  
 FIG. 13 is a cross-sectional view thereof taken along line 13-13 of FIG. 12;  
 FIG. 14 is a front view thereof;  
 FIG. 15 is a right side view thereof;  
 FIG. 16 is a rear view thereof;  
 FIG. 17 is a left side view thereof; and,  
 FIG. 18 is a bottom plan view thereof.  
 The broken line showing of various surface features is included for the purpose of illustrating portions of the medication packaging assembly and forms no part of the claimed design.

**1 Claim, 8 Drawing Sheets**



# US D670,178 S

Page 2

## U.S. PATENT DOCUMENTS

D462,900	S *	9/2002	Yamada et al. ....	D9/707	7,699,173	B2	4/2010	Hession	
6,564,945	B1	5/2003	Weinstein et al.		7,758,936	B2	7/2010	Spallek et al.	
6,681,935	B1	1/2004	Lewis		D620,787	S *	8/2010	Moriya .....	D9/416
6,776,285	B2	8/2004	Shibata		D620,809	S *	8/2010	Caldwell et al. ....	D9/707
6,830,153	B2	12/2004	French et al.		D621,719	S *	8/2010	Caldwell et al. ....	D9/707
D510,263	S *	10/2005	Isono et al. ....	D9/425	7,770,732	B2	8/2010	Stroppolo et al.	
6,988,619	B2	1/2006	Klatt		D623,072	S *	9/2010	Caldwell et al. ....	D9/707
D515,915	S *	2/2006	Karim .....	D9/707	D623,073	S *	9/2010	Caldwell et al. ....	D9/707
D520,185	S *	5/2006	Zeng et al. ....	D28/8.1	D623,074	S *	9/2010	Caldwell et al. ....	D9/707
7,055,294	B1	6/2006	Lewis		D629,702	S	12/2010	Caldwell et al.	
D528,433	S *	9/2006	Lofman .....	D9/732	7,866,476	B2	1/2011	McGonagle et al.	
D528,434	S	9/2006	Wolpow		2006/0086640	A1	4/2006	Luciano et al.	
D530,626	S *	10/2006	Tanja .....	D9/761	2006/0219595	A1	10/2006	Peters	
D533,464	S	12/2006	Wolpow		2007/0184078	A1	8/2007	Chen	
D537,734	S	3/2007	Wolpow		2007/0267430	A1	11/2007	Luciano et al.	
D543,452	S *	5/2007	Gehring et al. ....	D9/759	2008/0047867	A1	2/2008	Holmberg	
7,210,580	B2	5/2007	Elliott		2008/0190809	A1	8/2008	Simon et al.	
7,228,970	B2	6/2007	Holmberg		2008/0312957	A1	12/2008	Luciano, Jr. et al.	
7,293,653	B2	11/2007	Von Falkenhausen		2009/0230013	A1	9/2009	Born et al.	
D575,148	S *	8/2008	Sagel .....	D9/761	2009/0277815	A1	11/2009	Kohl	
D585,762	S *	2/2009	Friedland et al. ....	D9/707	2009/0283437	A1	11/2009	Angelucci et al.	
D588,471	S *	3/2009	Fluegel et al. ....	D9/732	2009/0321296	A1	12/2009	Luciano, Jr. et al.	
D590,246	S *	4/2009	Kirk et al. ....	D9/732	2010/0065464	A1	3/2010	Elliott	
D597,418	S *	8/2009	Stojek .....	D9/732	2010/0072104	A1	3/2010	Kohl	
D598,785	S *	8/2009	Stojek .....	D9/732	2010/0108559	A1	5/2010	Kohl	
D605,527	S *	12/2009	Kerr et al. ....	D9/607	2010/0108677	A1	5/2010	Loftin et al.	
7,624,872	B2	12/2009	Elliott		2010/0147734	A1	6/2010	Luciano, Jr. et al.	
7,644,822	B2	1/2010	Elliott		2010/0154365	A1	6/2010	Williams-Hartman	
D614,045	S *	4/2010	Gaudenzi et al. ....	D9/732	2011/0049003	A1	3/2011	Bellamah et al.	
7,690,173	B2	4/2010	Luciano, Jr. et al.		2011/0068040	A1	3/2011	Kendig et al.	

\* cited by examiner



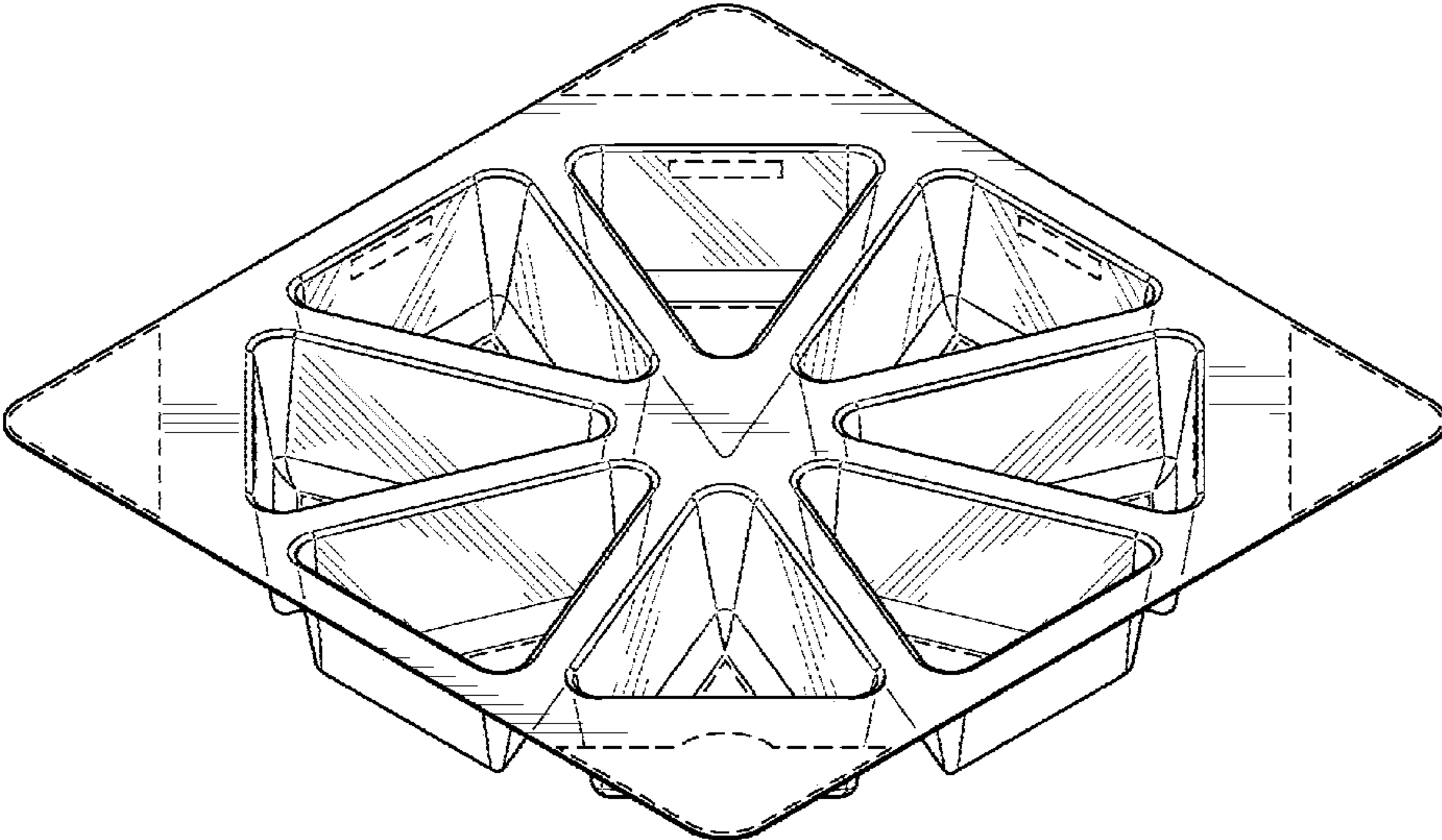


FIG. 1

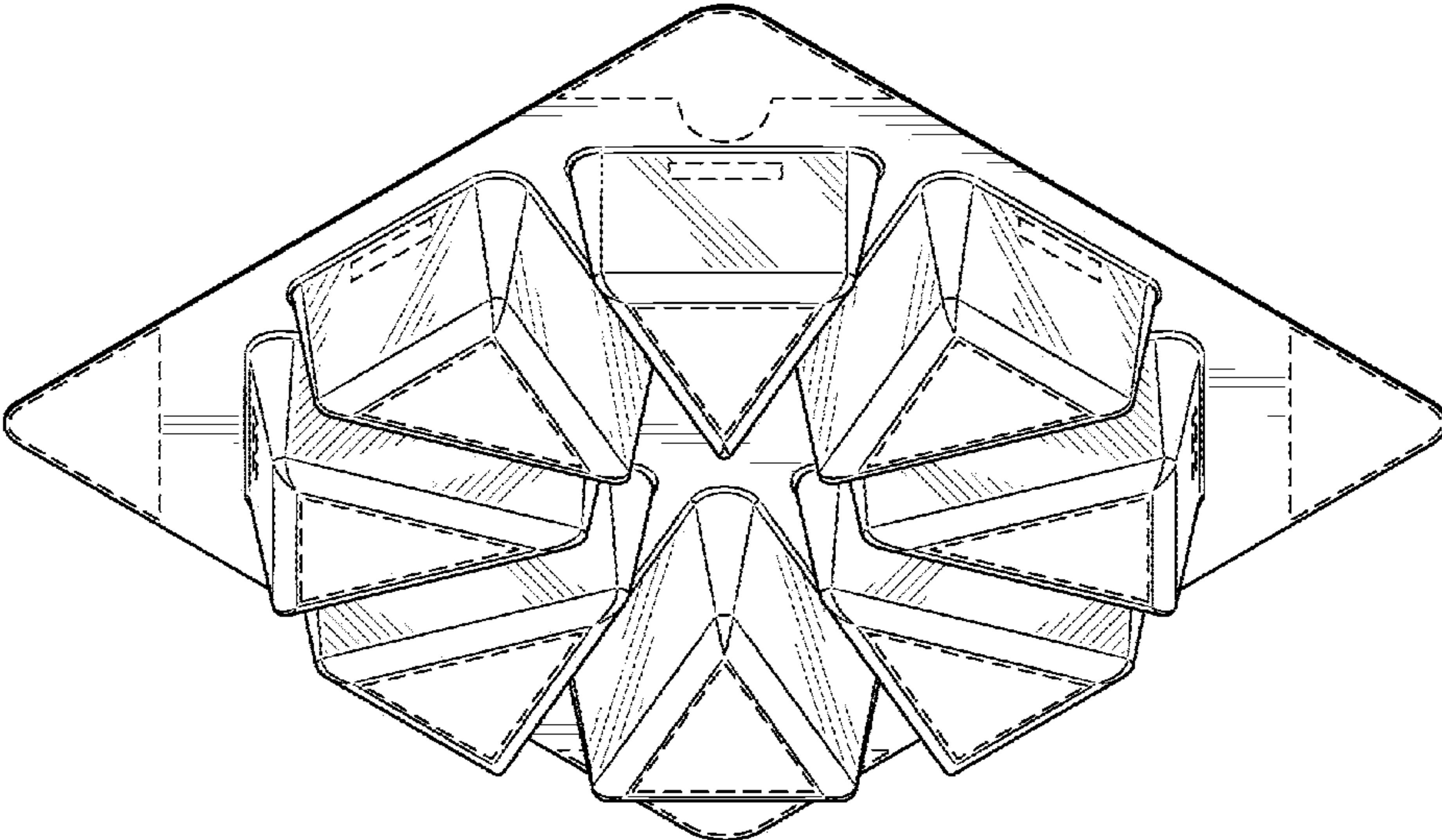


FIG. 2

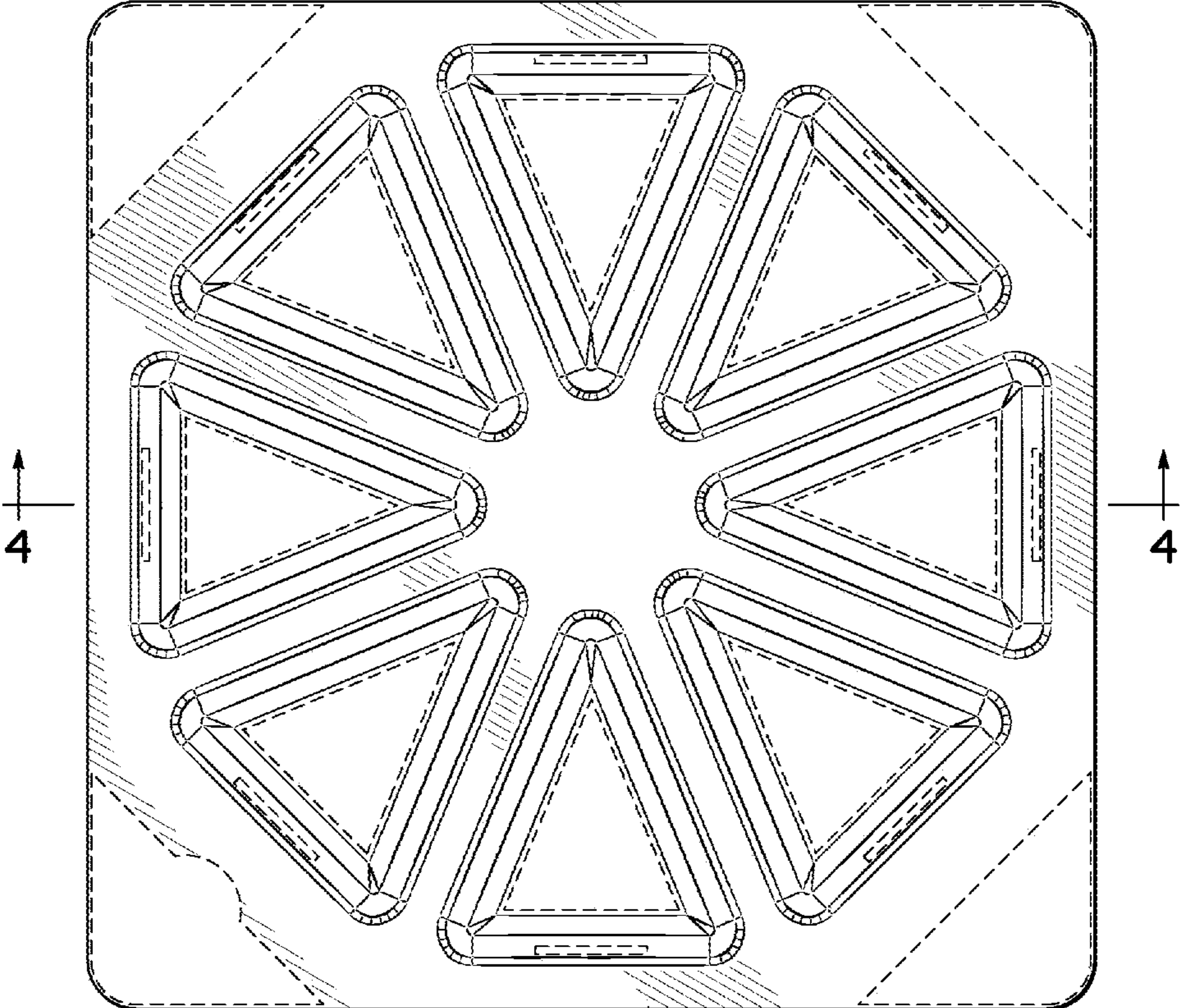


FIG. 3

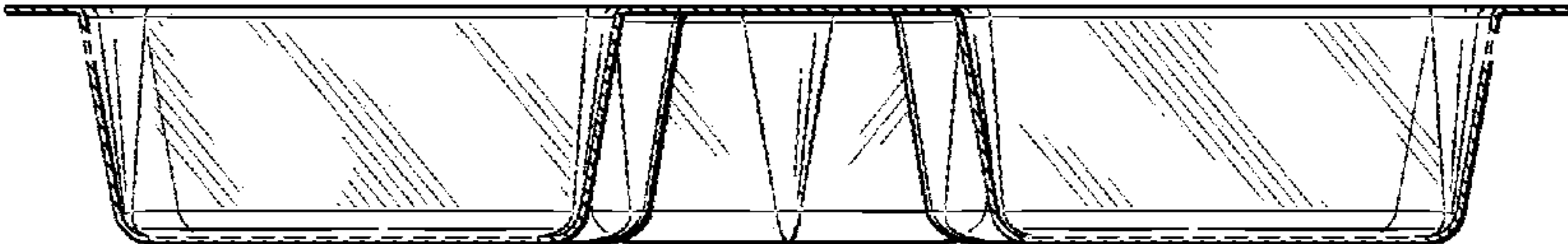


FIG. 4

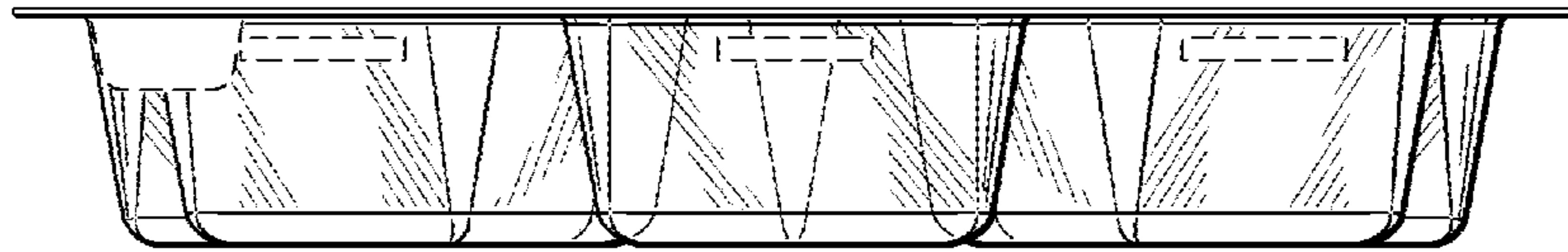


FIG. 5

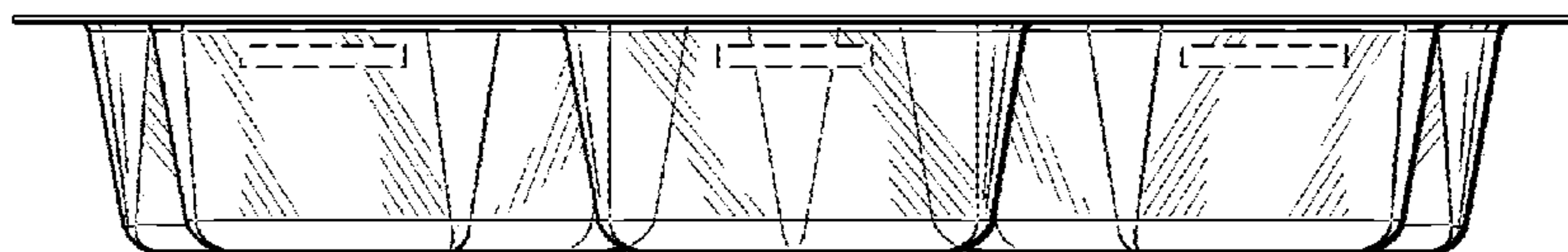


FIG. 6

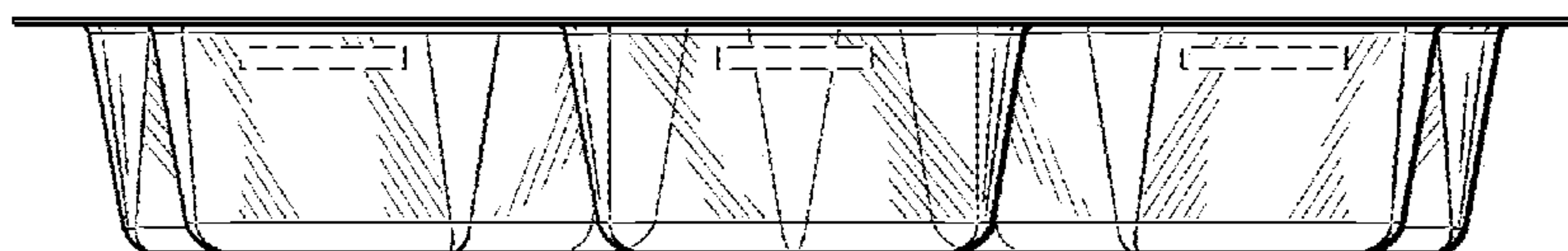


FIG. 7

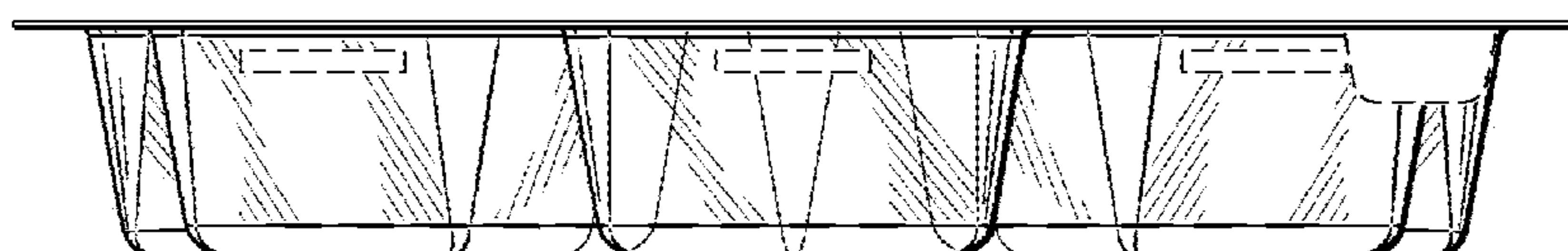


FIG. 8



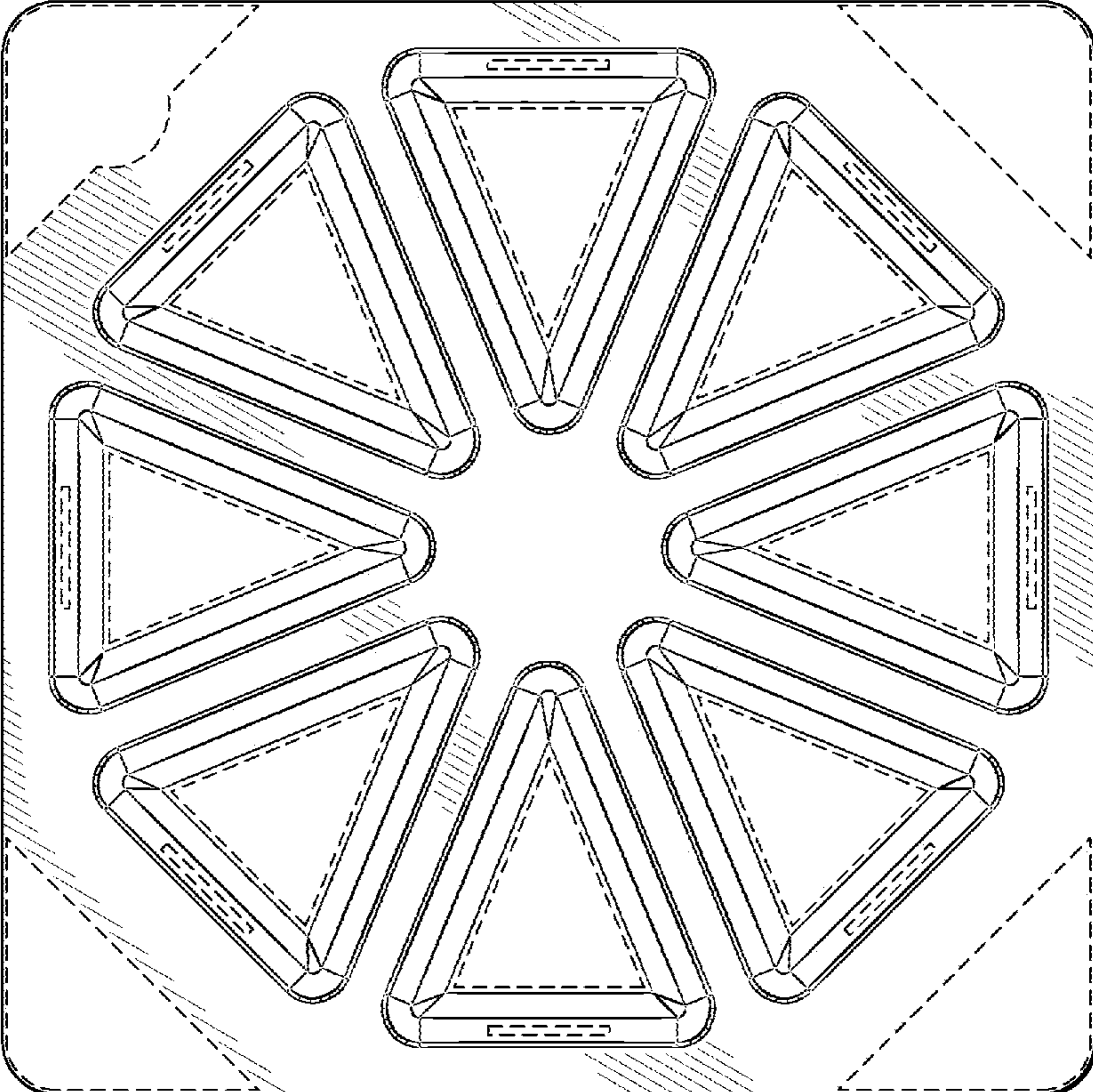


FIG. 9

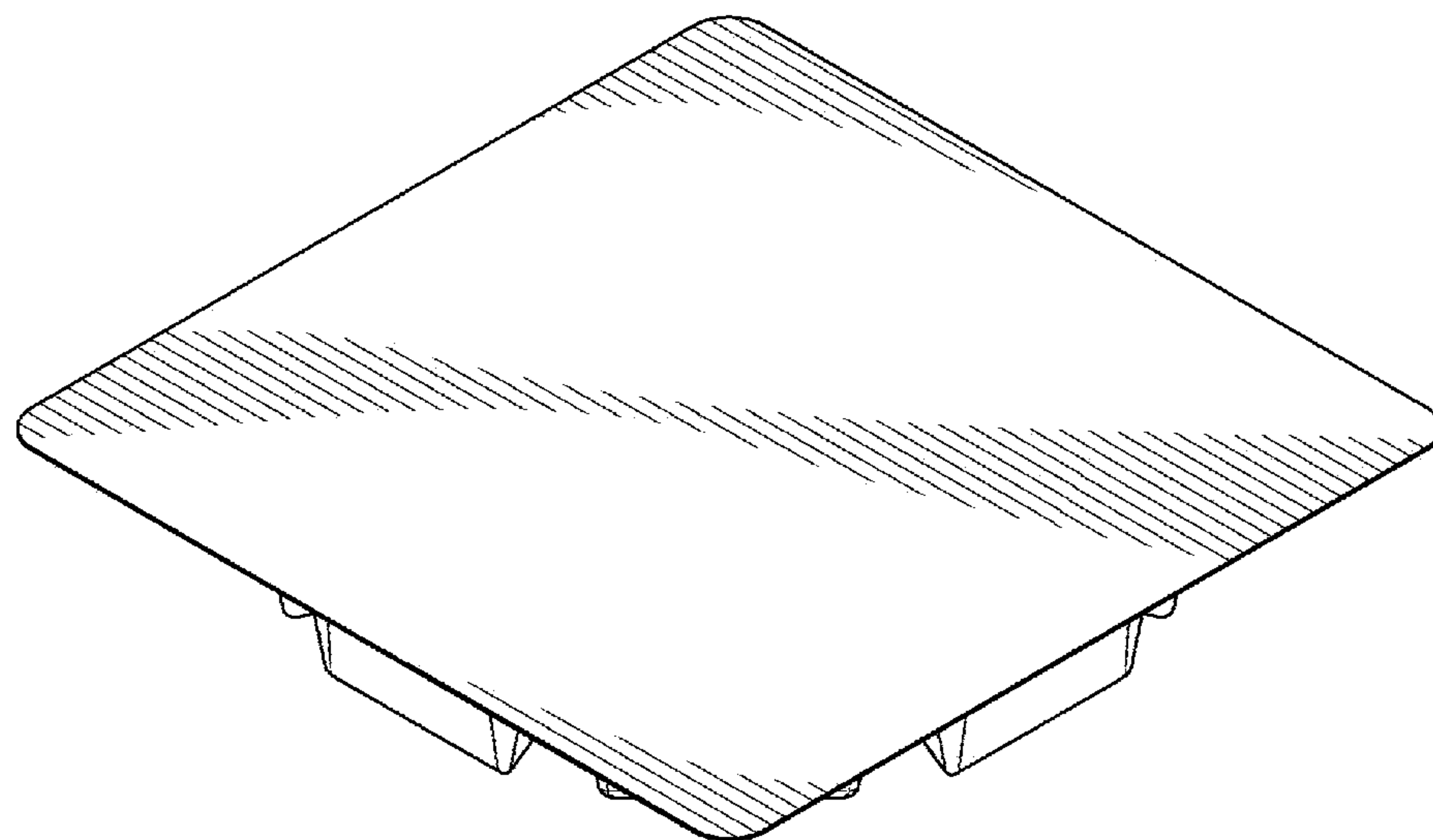


FIG. 10

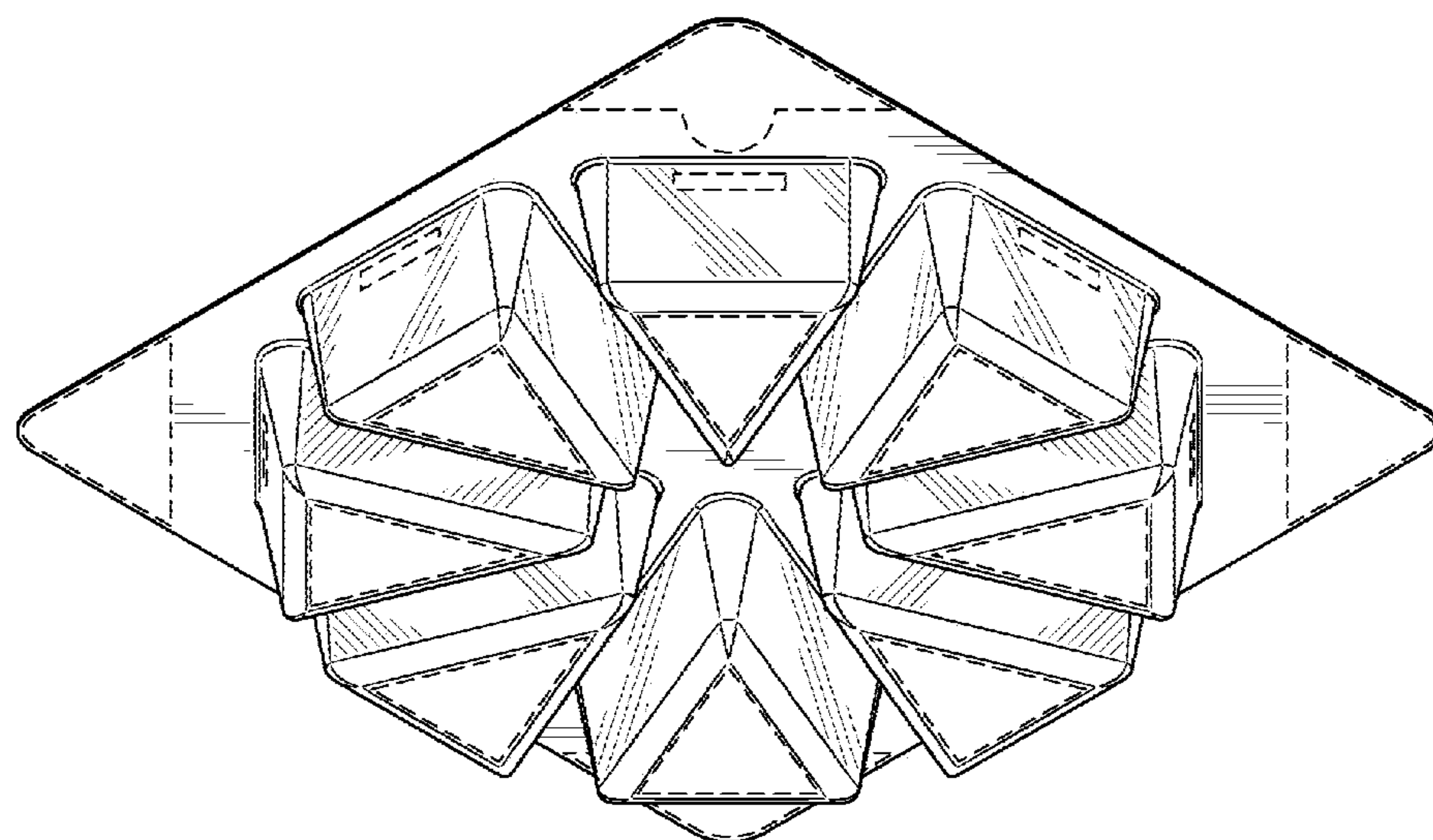


FIG. 11

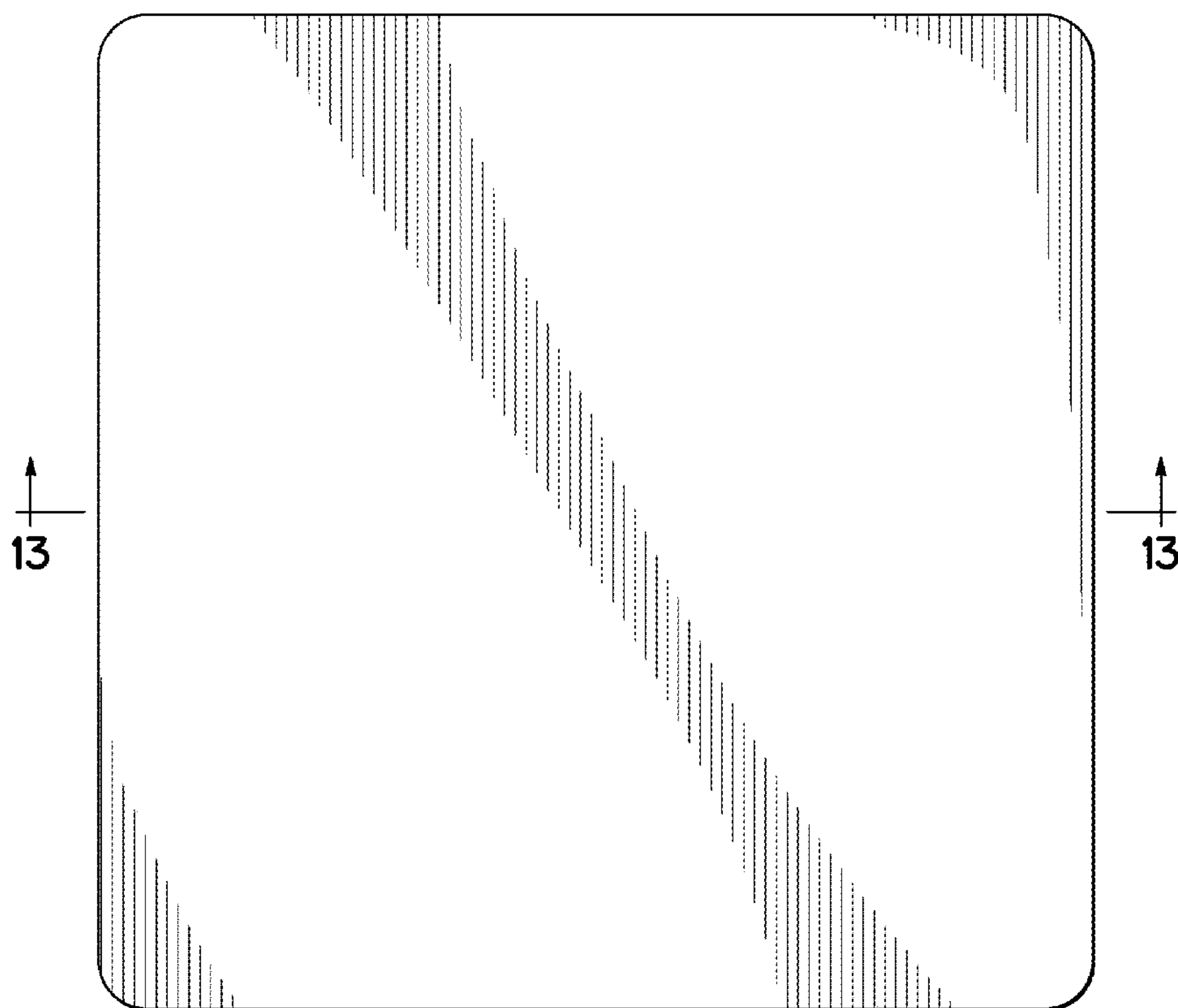


FIG. 12

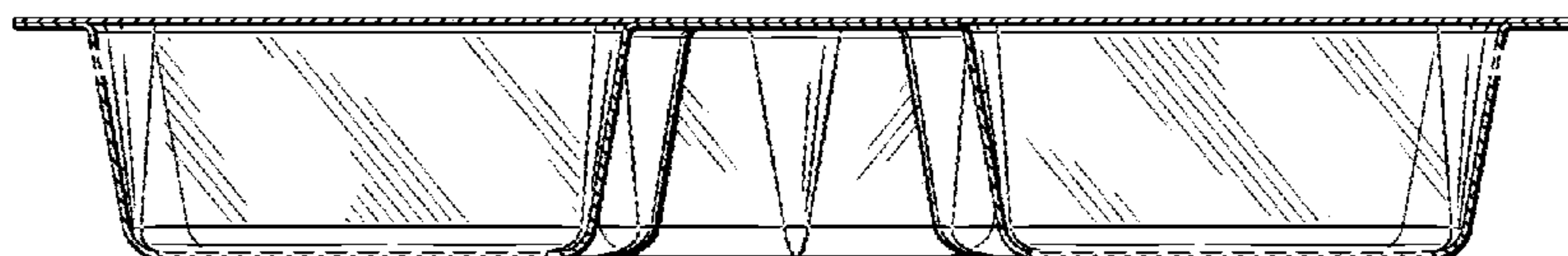


FIG. 13



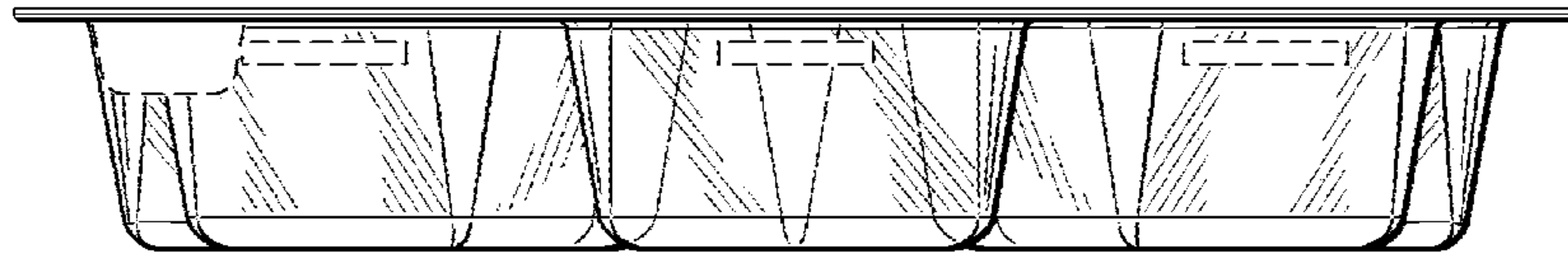


FIG. 14

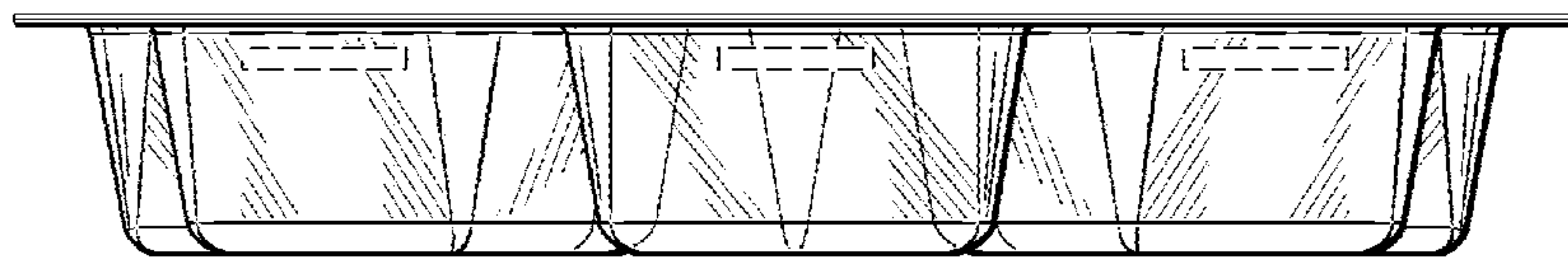


FIG. 15

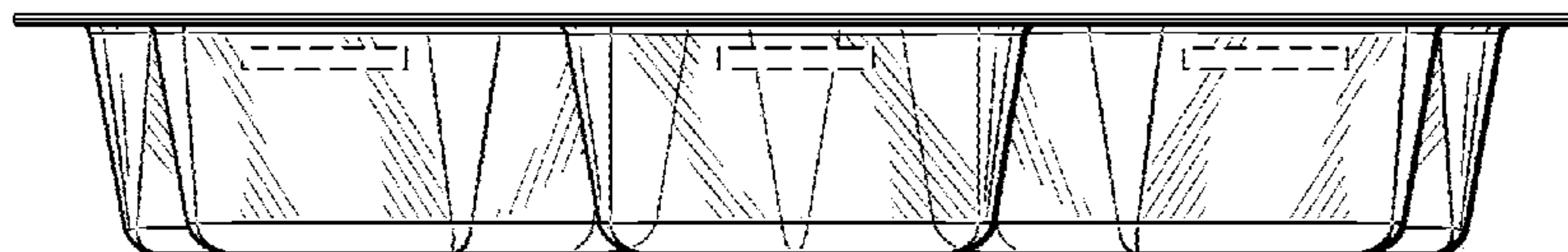


FIG. 16

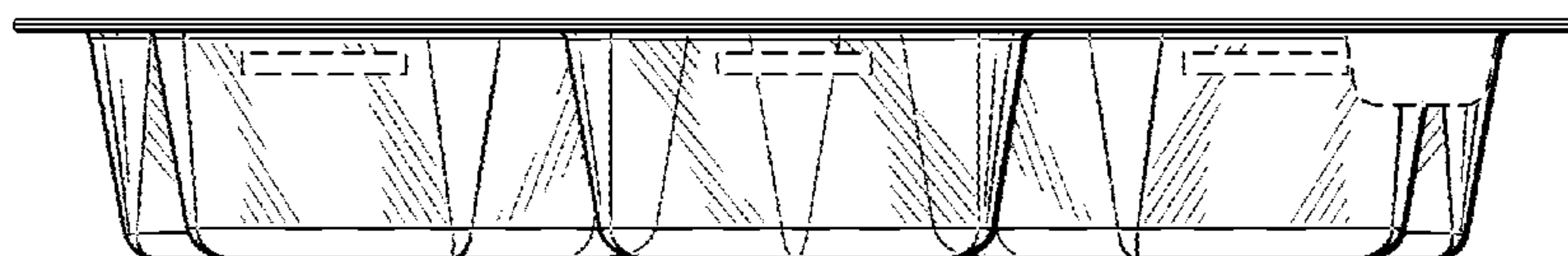


FIG. 17

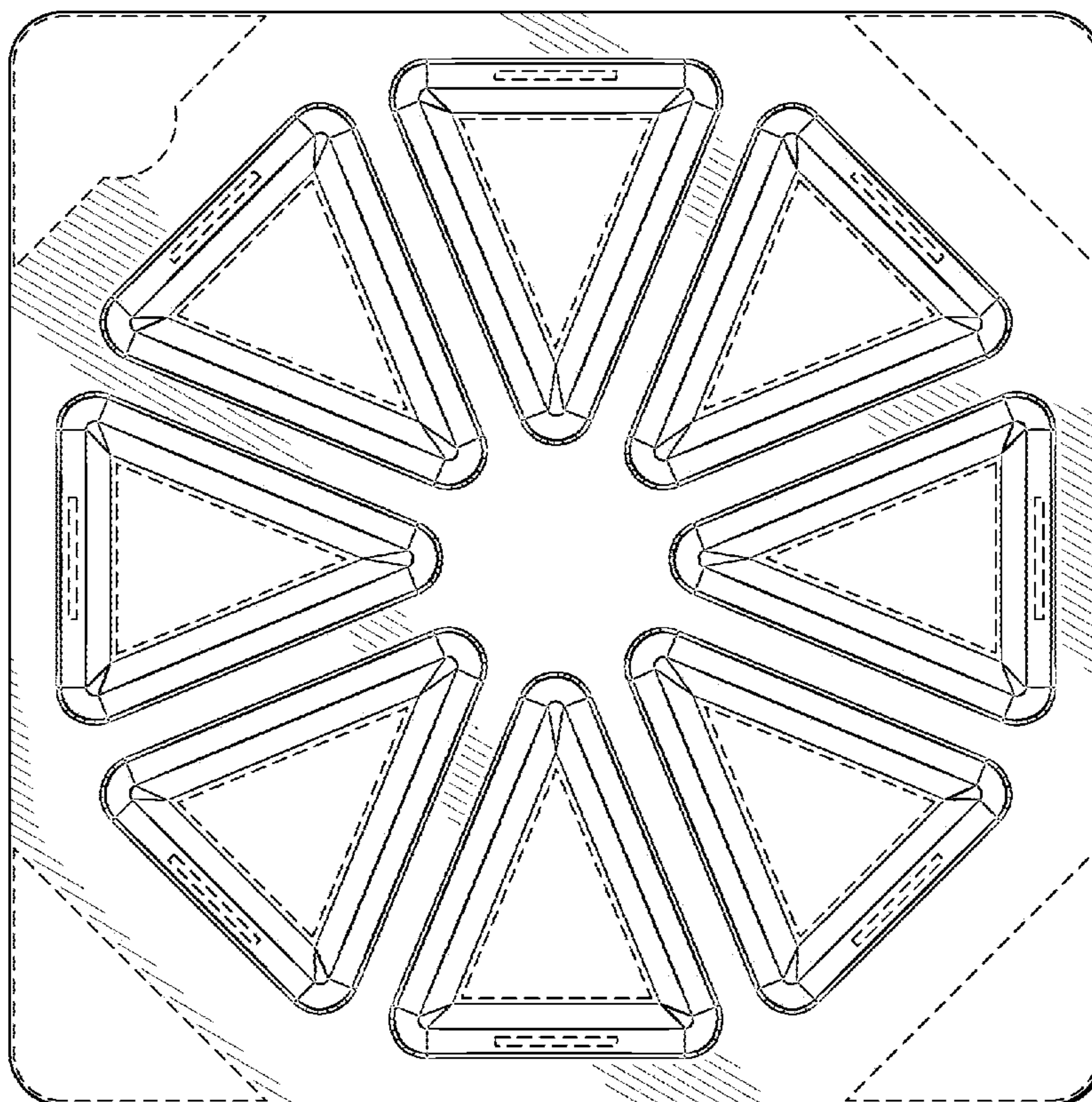


FIG. 18