



US00D670172S

(12) **United States Design Patent**
Bruscha et al.

(10) **Patent No.:** **US D670,172 S**
(45) **Date of Patent:** **** Nov. 6, 2012**

(54) **BOTTLE**

(75) Inventors: **Kacie Bruscha**, Mesa, AZ (US); **Alicia Cazares**, Scottsdale, AZ (US); **J. Tirso Olivares**, Chicago, IL (US); **Anne Silsby**, Phoenix, AZ (US)

(73) Assignee: **The Dial Corporation**, Scottsdale, AZ (US)

(**) Term: **14 Years**

(21) Appl. No.: **29/382,586**

(22) Filed: **Jan. 5, 2011**

(51) **LOC (9) Cl.** **09-01**

(52) **U.S. Cl.** **D9/542; D9/571**

(58) **Field of Classification Search** D9/516,
D9/529-530, 537, 539-542, 558, 571-575,
D9/682-694; 215/379, 381-382, 384; 220/660,
220/662, 669

See application file for complete search history.

(56) **References Cited**

U.S. PATENT DOCUMENTS

D112,704 S *	12/1938	McLaughlin	D9/542
D252,014 S *	6/1979	Furlong et al.	D9/529
5,370,266 A *	12/1994	Woodruff	222/212 X
D416,199 S *	11/1999	Alguire et al.	D9/542
D427,914 S *	7/2000	Croft et al.	D9/542
D428,342 S *	7/2000	Stoller	D9/542
D429,629 S *	8/2000	Kuzma et al.	D9/682
D505,079 S *	5/2005	Mulder et al.	D9/542
D522,876 S *	6/2006	Braaten et al.	D9/691

D528,006 S *	9/2006	Walther et al.	D9/542
D545,195 S *	6/2007	Costello et al.	D9/574 X
D545,196 S *	6/2007	Costello et al.	D9/516
D546,189 S *	7/2007	Costello et al.	D9/558 X
D556,578 S *	12/2007	Costello et al.	D9/516
D559,114 S *	1/2008	Breitlander	D9/558
D585,747 S *	2/2009	Dodge et al.	D9/571 X
D585,752 S *	2/2009	Shami	D9/530
D618,108 S *	6/2010	Renz et al.	D9/574 X
D621,273 S *	8/2010	Bruscha et al.	D9/542
D624,429 S *	9/2010	Gedanke	D9/574 X
D642,475 S *	8/2011	Crutchley et al.	D9/571 X
D656,834 S *	4/2012	Teitelbaum et al.	D9/541
D657,257 S *	4/2012	Barnett et al.	D9/541

* cited by examiner

Primary Examiner — Carol P Rademaker

(74) *Attorney, Agent, or Firm* — David K. Benson

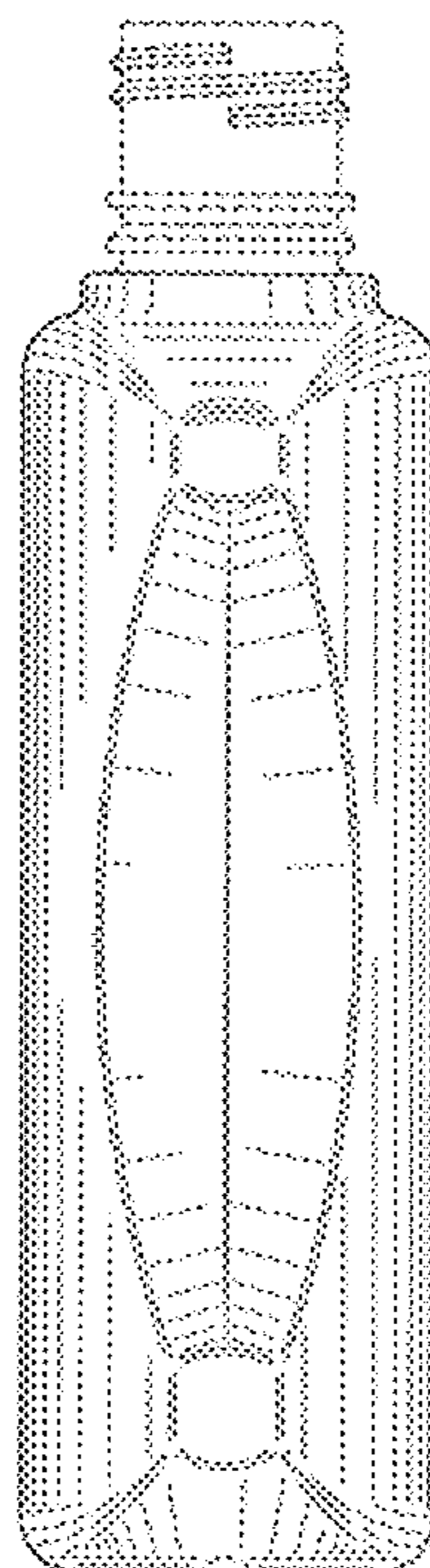
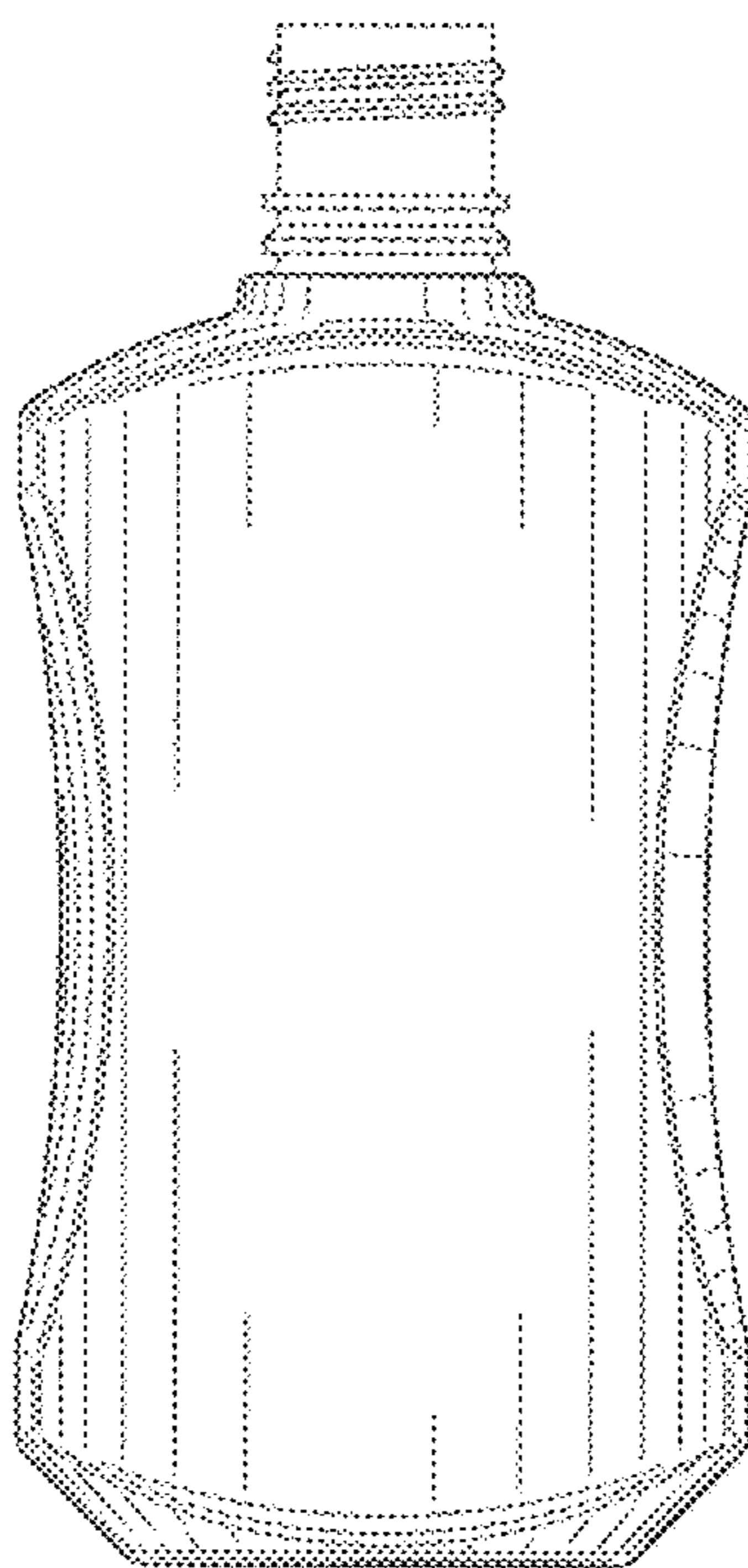
(57) **CLAIM**

The ornamental design for a bottle, as shown and described.

DESCRIPTION

FIG. 1 is a top, front, and right side perspective view of a bottle embodying our new design;
FIG. 2 is a front elevational view thereof;
FIG. 3 is a rear elevational view thereof
FIG. 4 is a right side elevational view thereof;
FIG. 5 is a left side elevational view thereof;
FIG. 6 is a top plan view thereof; and,
FIG. 7 is a bottom plan view thereof.
The broken lines shown in the drawings are for the purpose of illustrating environmental structure and form no part of the claimed design.

1 Claim, 5 Drawing Sheets



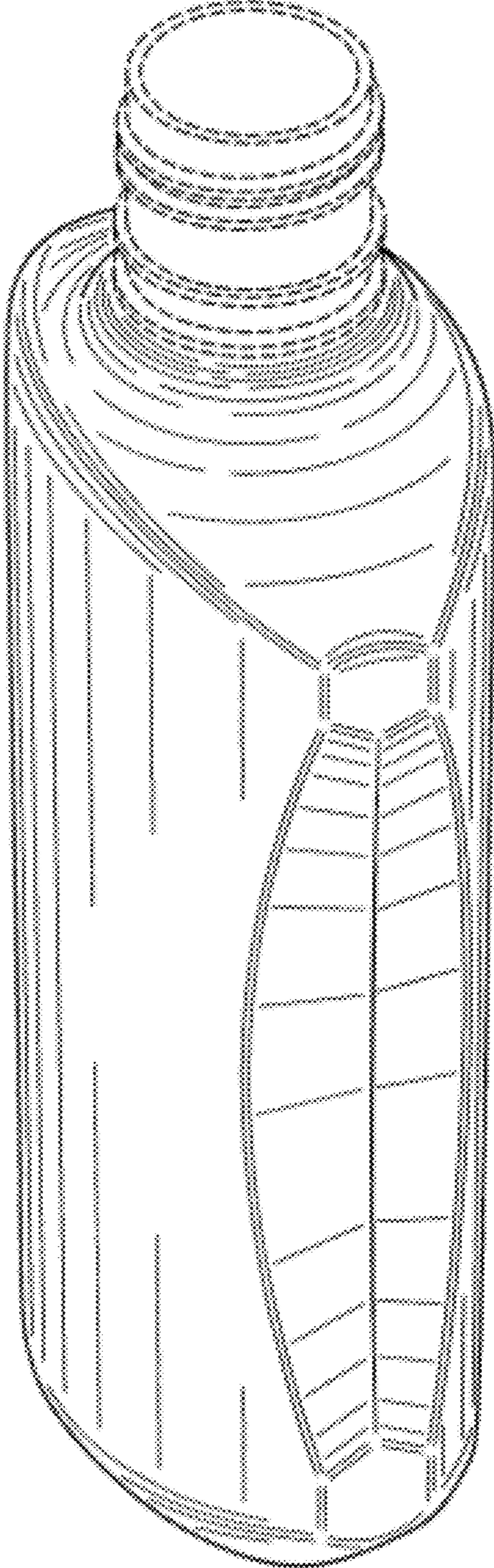


FIG. 1

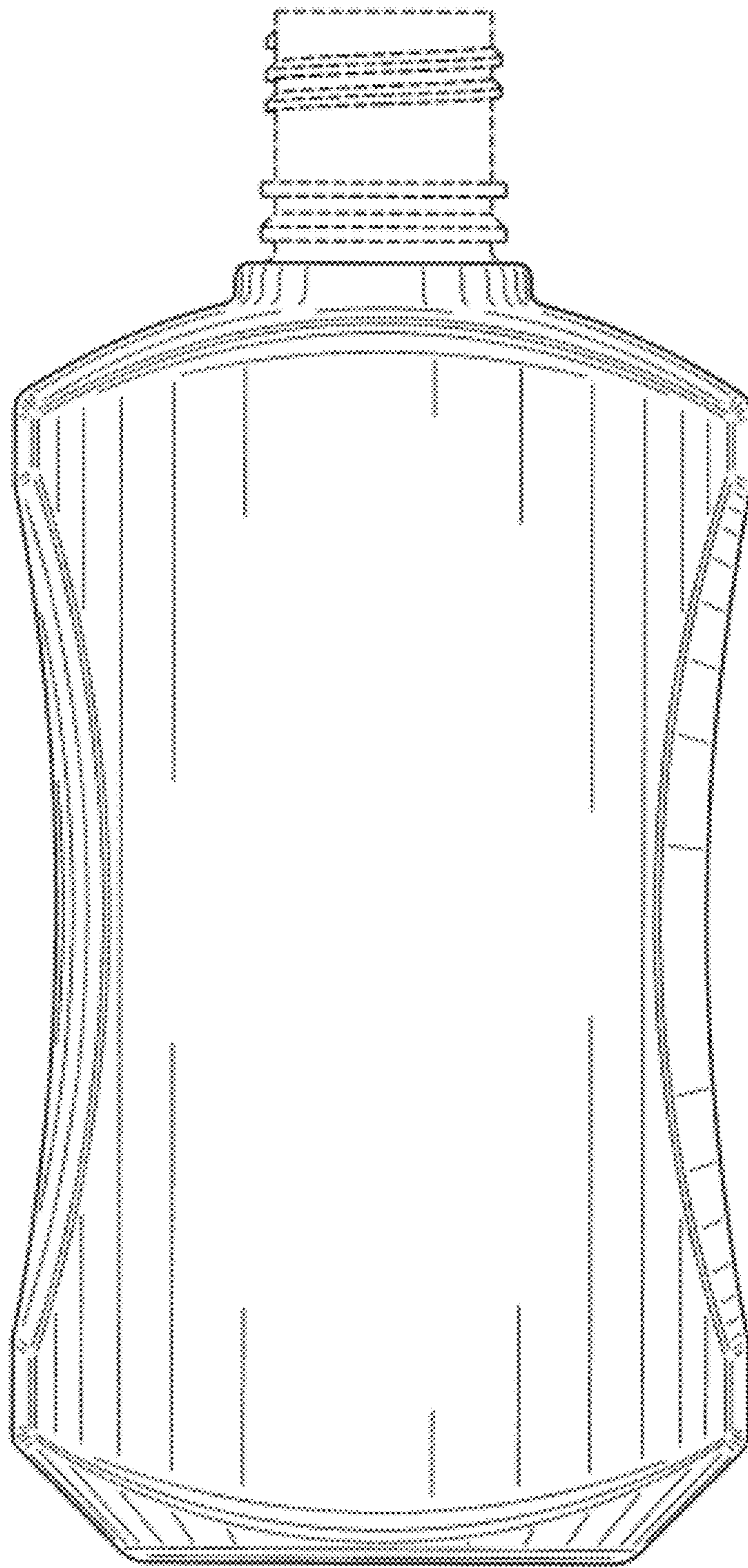


FIG. 2

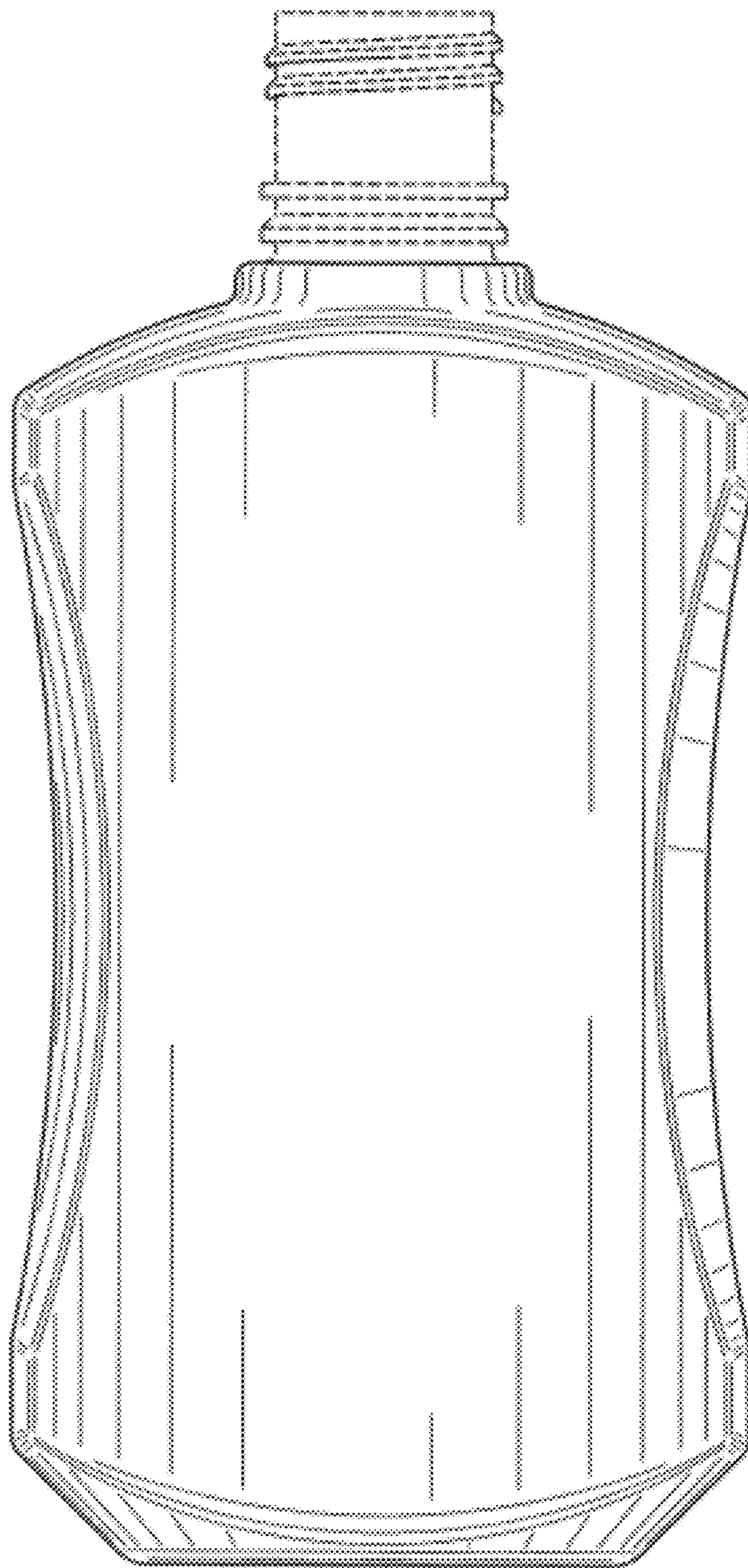


FIG. 3

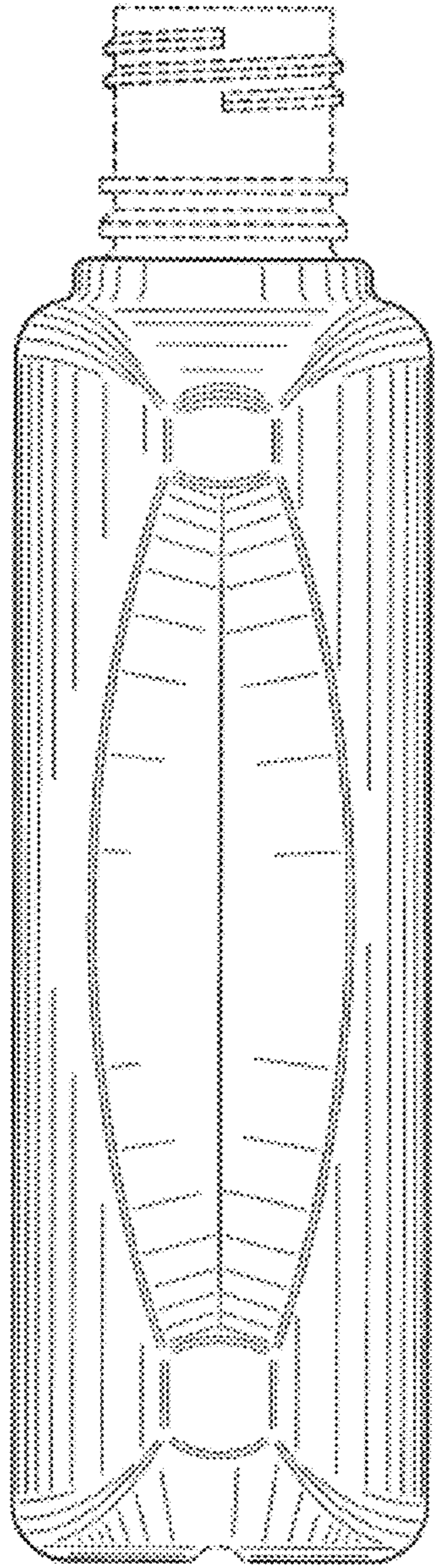


FIG. 4

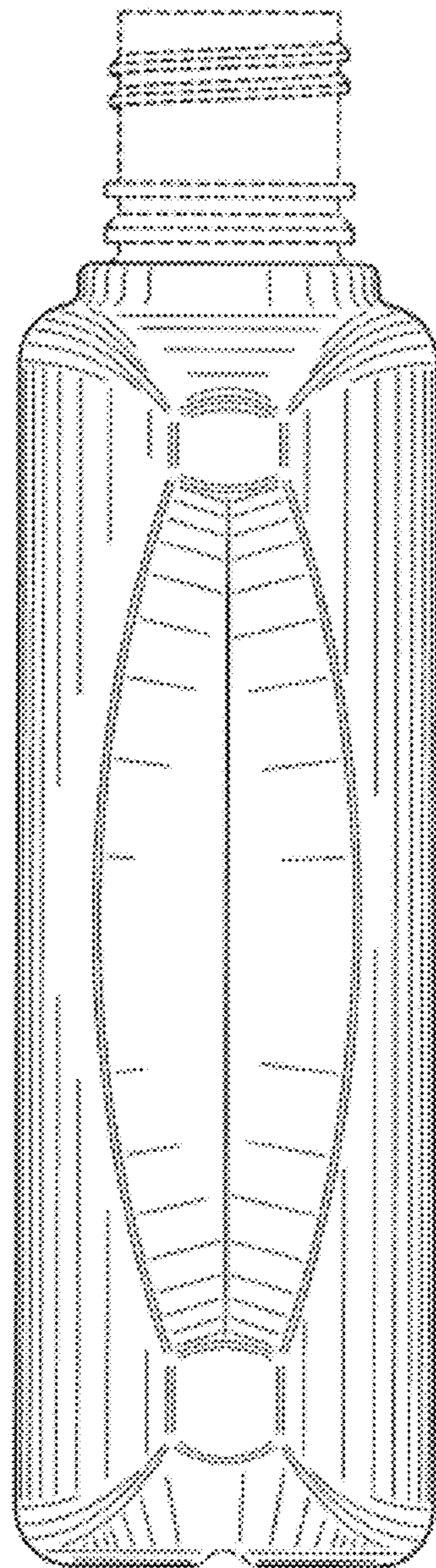


FIG. 5

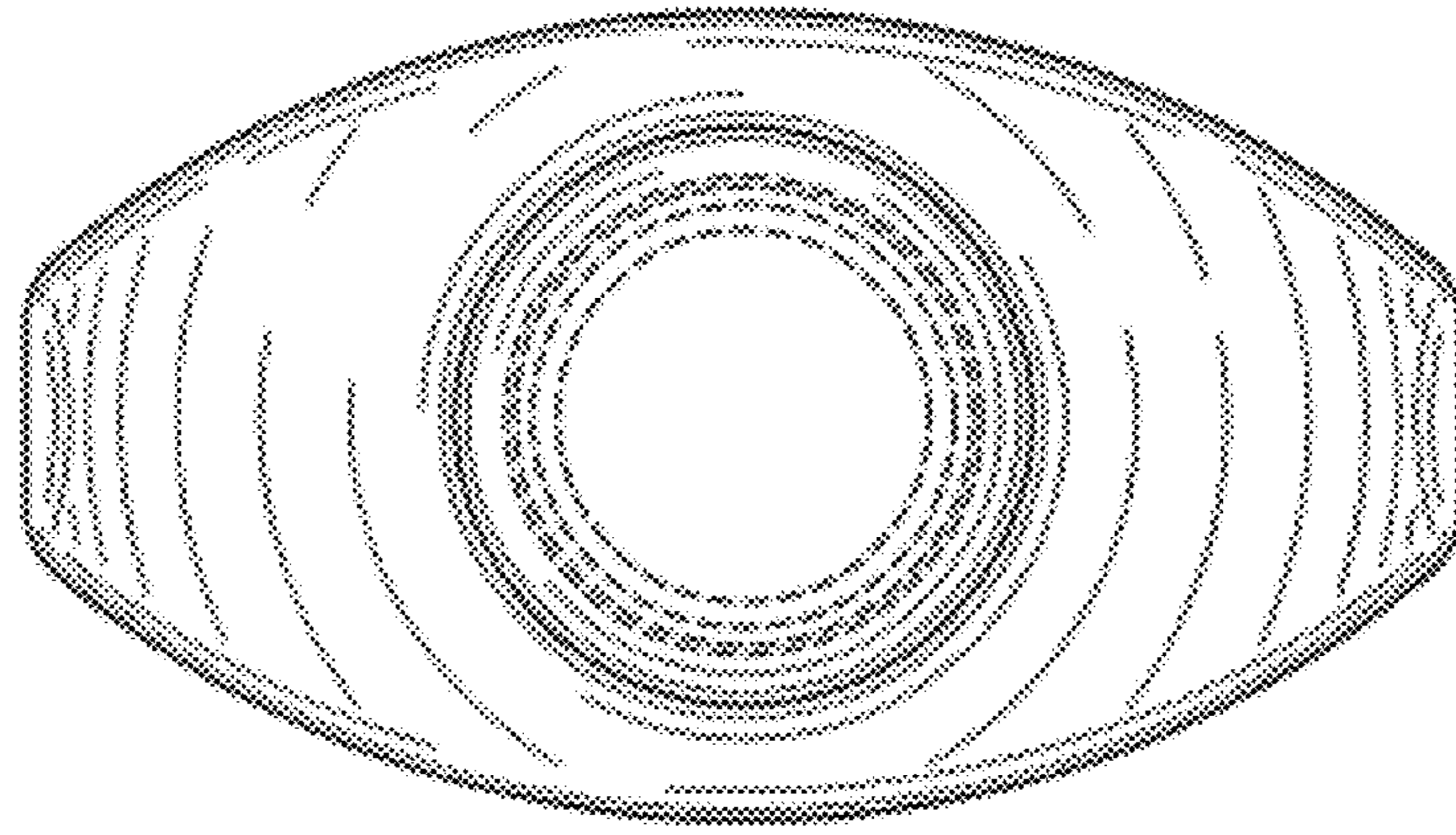


FIG. 6

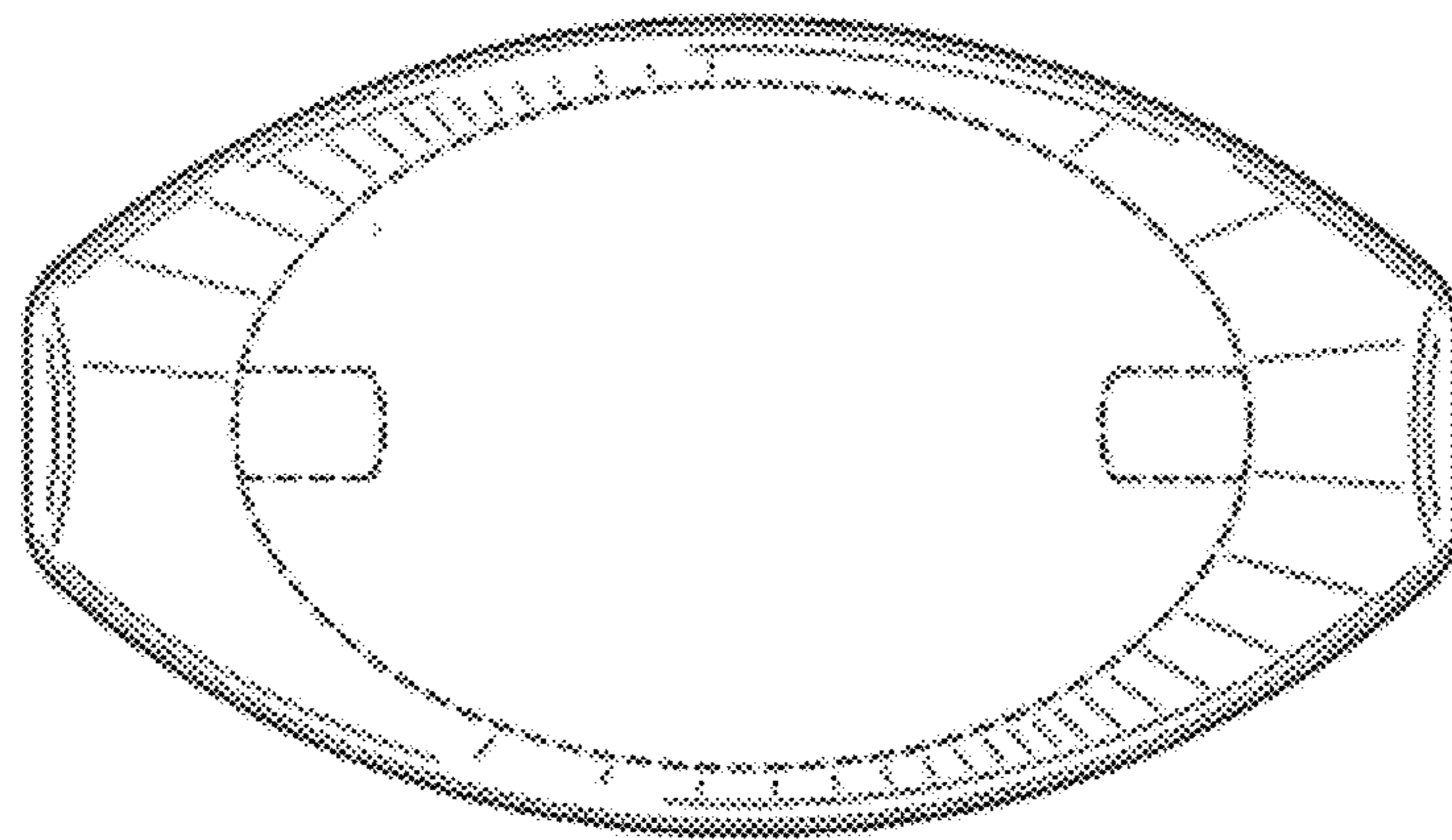


FIG. 7