



US00D670166S

(12) **United States Design Patent**  
**Lavender**

(10) **Patent No.:** **US D670,166 S**  
(45) **Date of Patent:** **\*\* Nov. 6, 2012**

(54) **BOTTLE CAP**

(76) Inventor: **Christian Lavender**, Austin, TX (US)

(\*\*) Term: **14 Years**

(21) Appl. No.: **29/382,397**

(22) Filed: **Jan. 3, 2011**

(51) **LOC (9) Cl.** ..... **09-07**

(52) **U.S. Cl.** ..... **D9/453; D9/452**

(58) **Field of Classification Search** ..... **D9/453,**  
**D9/452, 438, 435; 215/328, 253**

See application file for complete search history.

(56) **References Cited**

**U.S. PATENT DOCUMENTS**

1,722,587	A *	7/1929	McDonnell	.....	215/328
2,048,062	A *	7/1936	Elder	.....	215/328
3,198,369	A *	8/1965	St Jacques	.....	215/328
3,200,982	A *	8/1965	Cormier	.....	215/253
D204,508	S *	4/1966	Brockett	.....	D9/438
5,263,600	A *	11/1993	Henning	.....	215/328
6,006,933	A *	12/1999	Henning et al.	.....	215/328
D537,719	S *	3/2007	Seidita	.....	D9/453
D548,016	S *	8/2007	Jackson et al.	.....	D7/625
D639,161	S *	6/2011	Webster	.....	D9/452

\* cited by examiner

*Primary Examiner* — Susan Bennett Hattan

(74) *Attorney, Agent, or Firm* — QuickPatents, Inc.; Kevin Prince

(57) **CLAIM**

What is claimed is the ornamental design for a bottle cap, as shown and described.

**DESCRIPTION**

FIG. 1 is a top perspective view of a bottle cap, showing the new design;

FIG. 2 is a bottom perspective view thereof;

FIG. 3 is a front elevational view thereof;

FIG. 4 is a rear elevational view thereof;

FIG. 5 is a left-side elevational view thereof, the right-side elevational view being a mirror image thereof;

FIG. 6 is a cross-sectional view thereof, taken generally along lines 6-6 of FIG. 3;

FIG. 7 is a top plan view thereof; and,

FIG. 8 is a bottom plan view thereof.

The broken lines showing a logo in FIG. 1 depict environmental matter, and form no part of the claimed design.

**1 Claim, 3 Drawing Sheets**

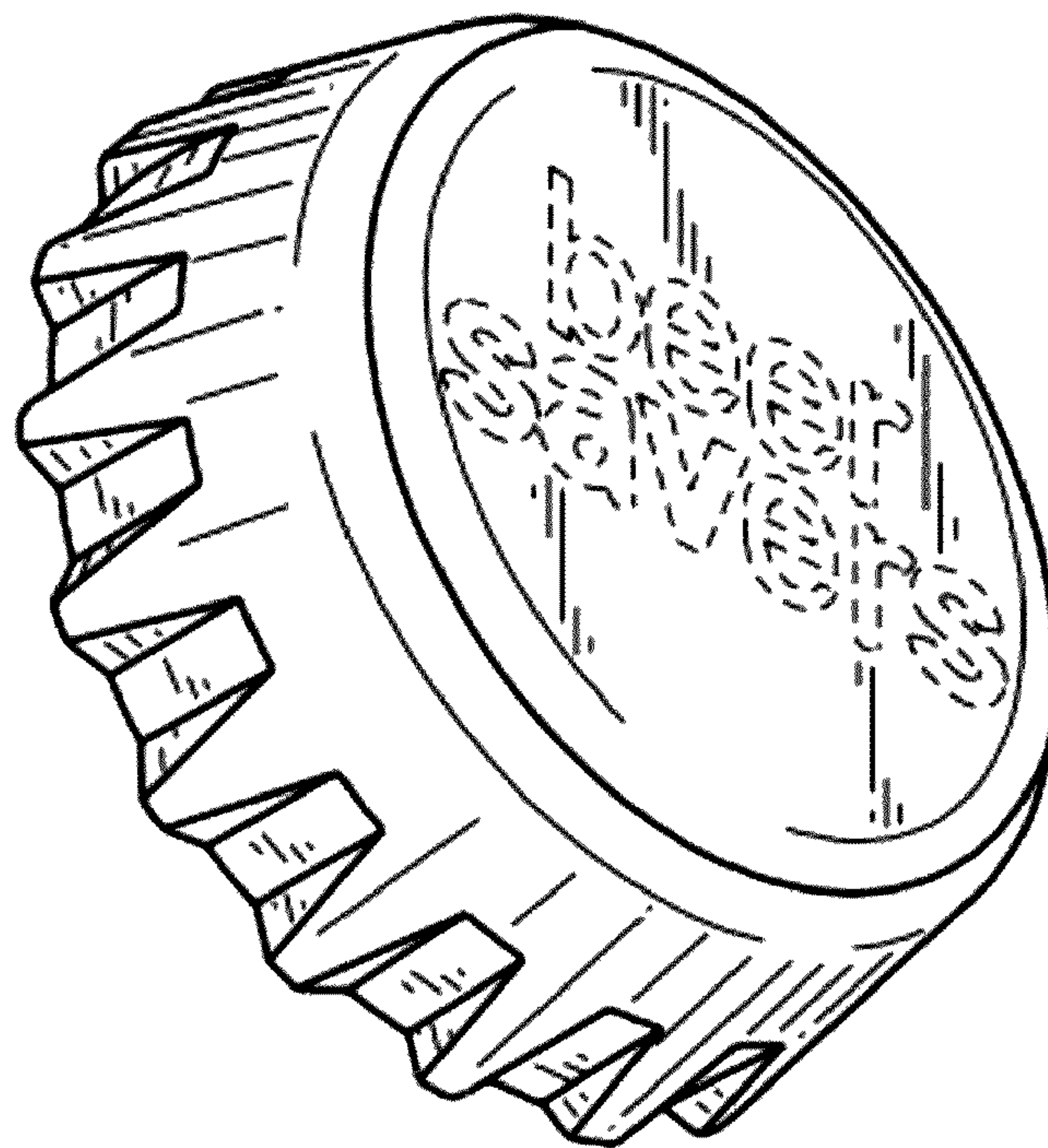


FIG. 1

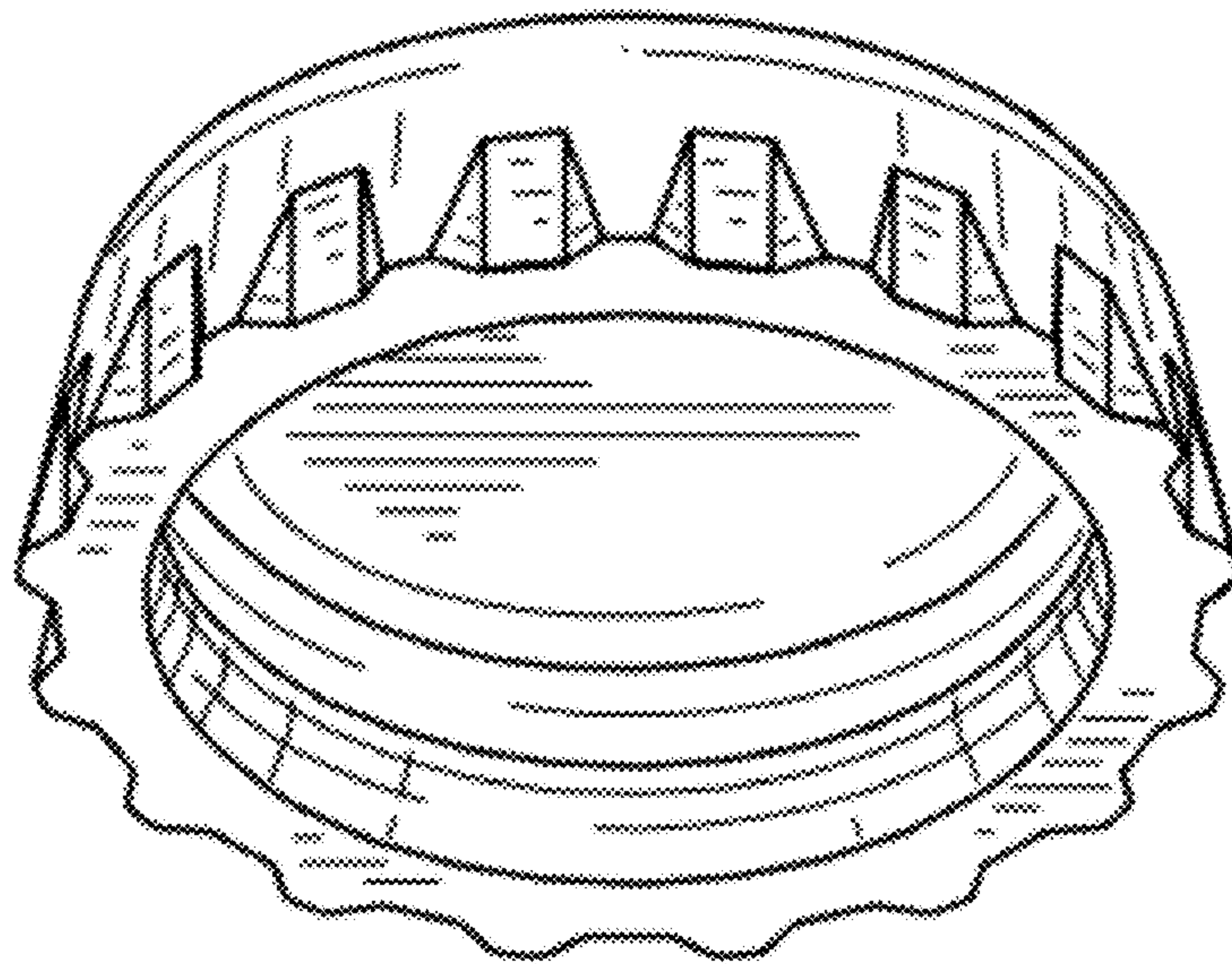
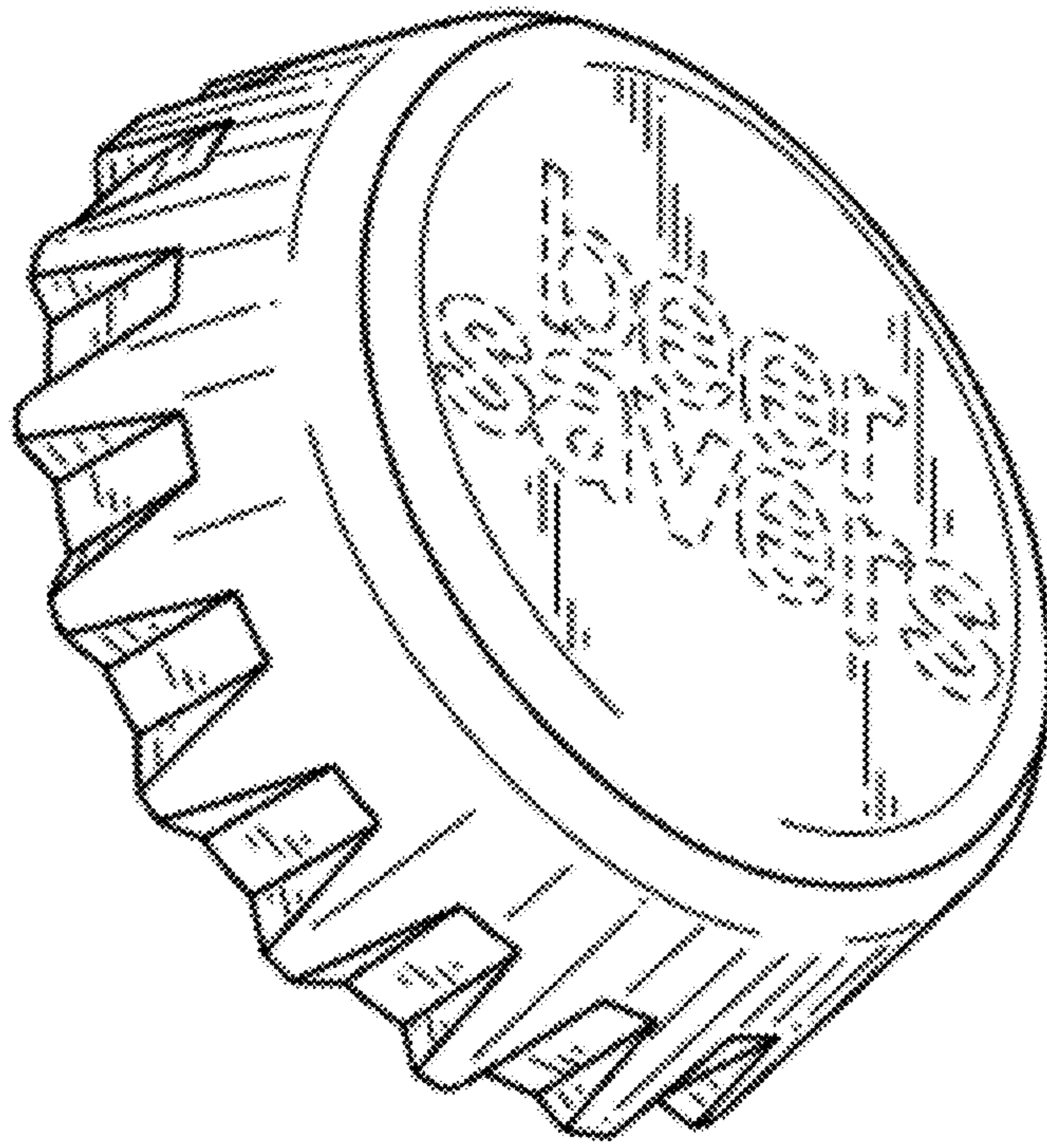


FIG. 2



FIG. 3

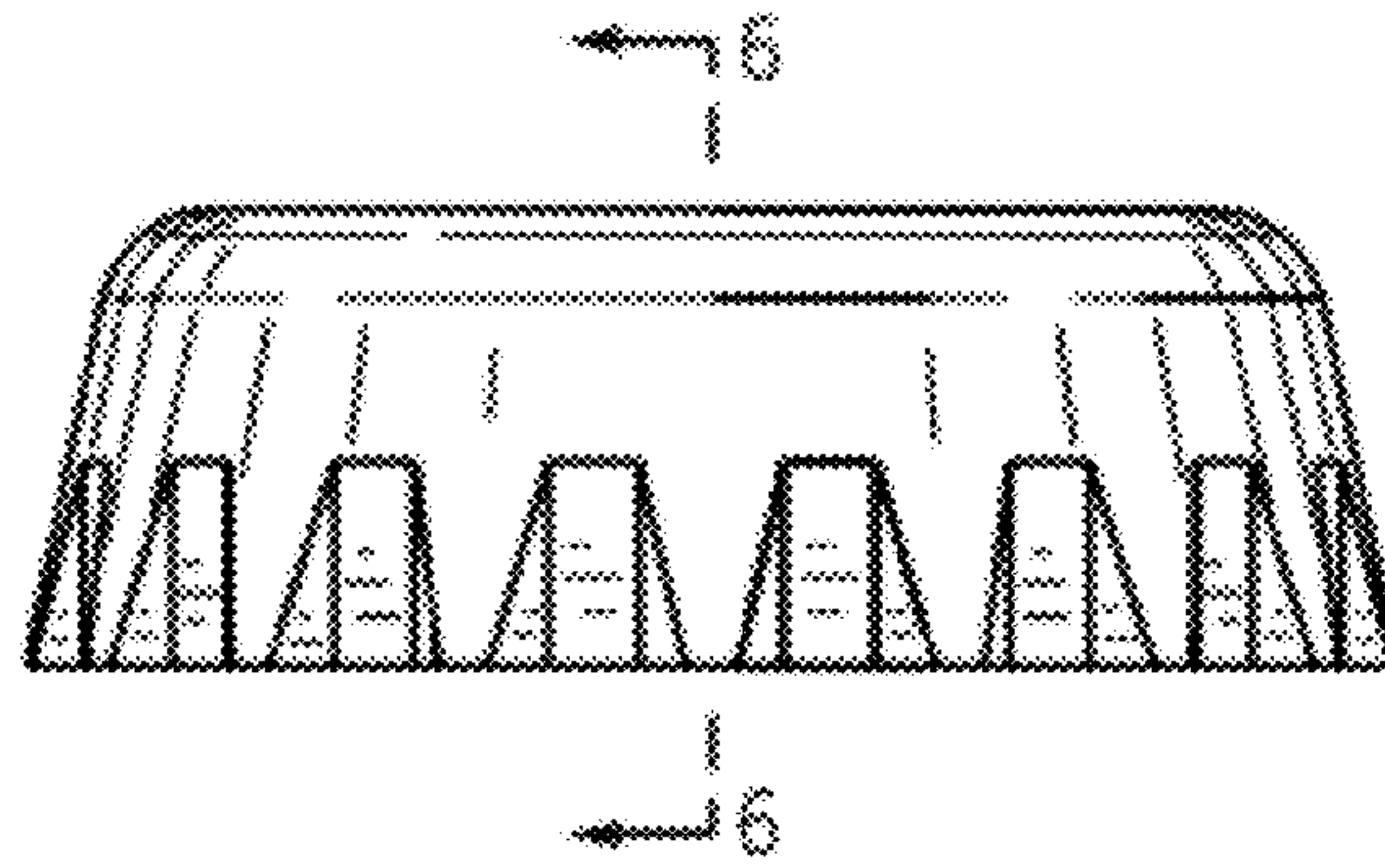


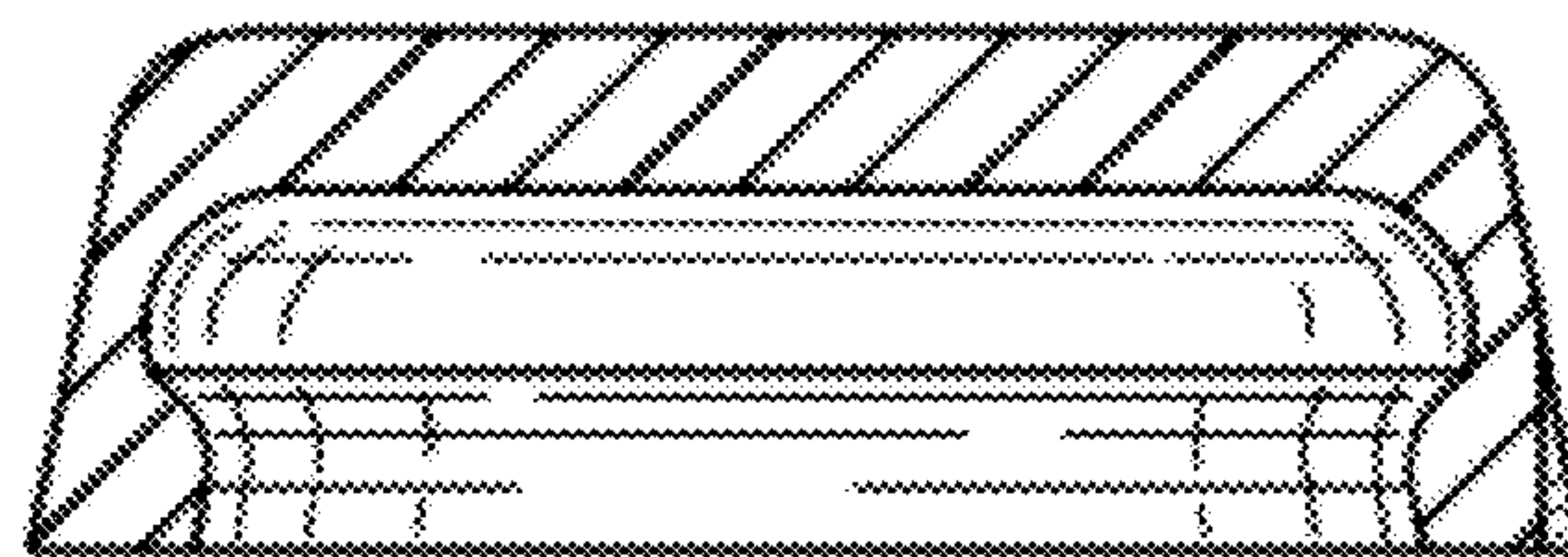
FIG. 4



FIG. 5



FIG. 6



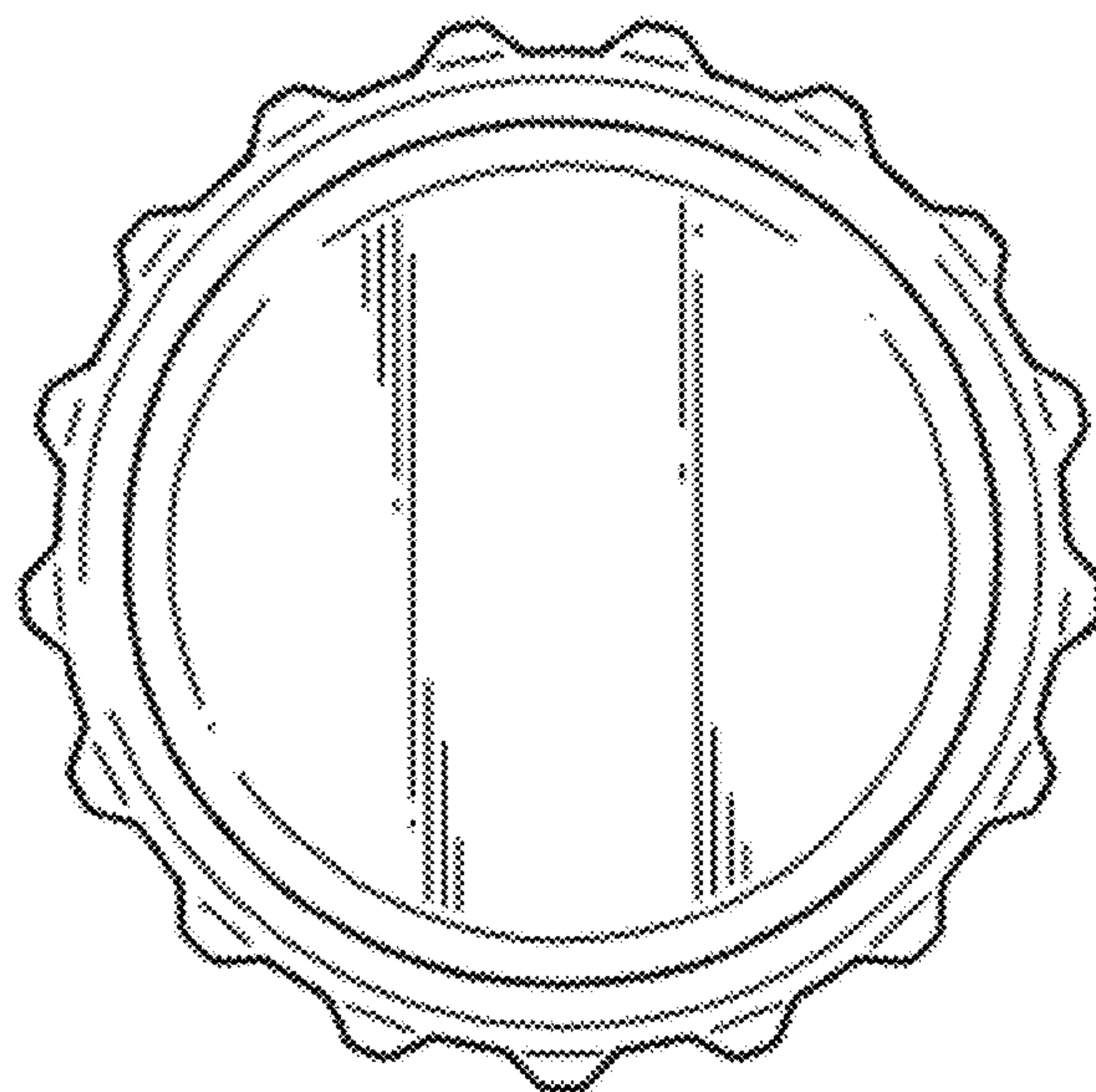


FIG. 7

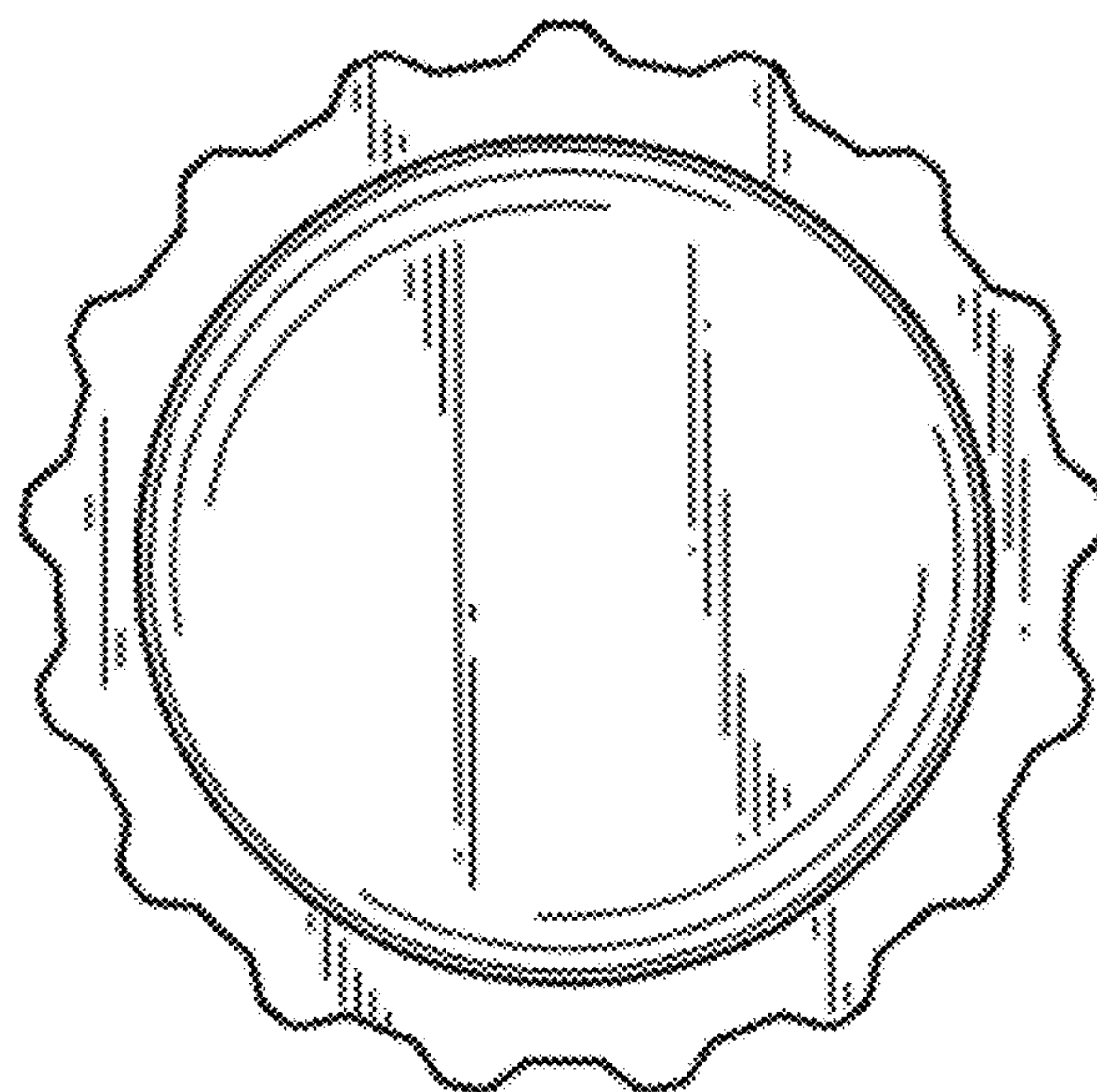


FIG. 8