



US00D670165S

(12) **United States Design Patent**
Ishizawa et al.

(10) **Patent No.:** **US D670,165 S**
(45) **Date of Patent:** **** Nov. 6, 2012**

(54) **CONTAINER CAP WITH STOPPER**

(56) **References Cited**

(75) Inventors: **Taku Ishizawa**, Shiojiri (JP); **Hitoshi Matsumoto**, Matsumoto (JP); **Mitsuto Yanagisawa**, Matsumoto (JP); **Yaeko Onishi**, Shinshiro (JP)

(73) Assignee: **Seiko Epson Corporation**, Tokyo (JP)

(**) Term: **14 Years**

(21) Appl. No.: **29/418,053**

(22) Filed: **Apr. 12, 2012**

Related U.S. Application Data

(62) Division of application No. 29/387,180, filed on Mar. 10, 2011, now Pat. No. Des. 660,695.

(30) **Foreign Application Priority Data**

Sep. 17, 2010 (JP) 2010-022553
Nov. 30, 2010 (EM) 001787524

(51) **LOC (9) Cl.** **09-07**

(52) **U.S. Cl.** **D9/436; D9/443; D9/449**

(58) **Field of Classification Search** D9/453,
D9/452, 448, 447, 443, 440, 436, 435, 434;
D7/511, 510, 398, 397, 396.2; 220/915.1,
220/751, 733, 719, 715, 713, 711, 708, 703,
220/255; 215/388, 387, 229, 48; 222/570,
222/569, 571, 108

See application file for complete search history.

U.S. PATENT DOCUMENTS

D137,719 S	4/1944	Smith	
D175,095 S	7/1955	St. Clair	
5,908,124 A	6/1999	Klauke et al.	
6,068,148 A	5/2000	Weiler	
6,543,655 B1	4/2003	de Laforcade	
D524,649 S	7/2006	Samartgis	
D531,900 S *	11/2006	Mavin et al.	D9/447
D532,295 S	11/2006	Stull	
D551,075 S	9/2007	Puller	
D613,163 S *	4/2010	Caillabet	D9/454

* cited by examiner

Primary Examiner — Susan Bennett Hattan

(57) **CLAIM**

The ornamental design for a container cap with stopper, as shown and described.

DESCRIPTION

FIG. 1 is a front, top, and right side perspective view of a container cap with stopper showing our new design; FIG. 2 is a front view thereof; FIG. 3 is a rear view thereof; FIG. 4 is a top plan view thereof; FIG. 5 is a bottom plan view thereof; FIG. 6 is a right side view thereof, the left side view being a mirror image of FIG. 6; FIG. 7 is a vertical section view taken along a central line of FIG. 2; and, FIG. 8 is a referential view showing the article in use. The features shown in broken lines in the drawings depict environmental subject matter only and form no part of the claimed design. The dashed-dotted lines denote the boundary of the claim and form no part of the claimed design.

1 Claim, 8 Drawing Sheets

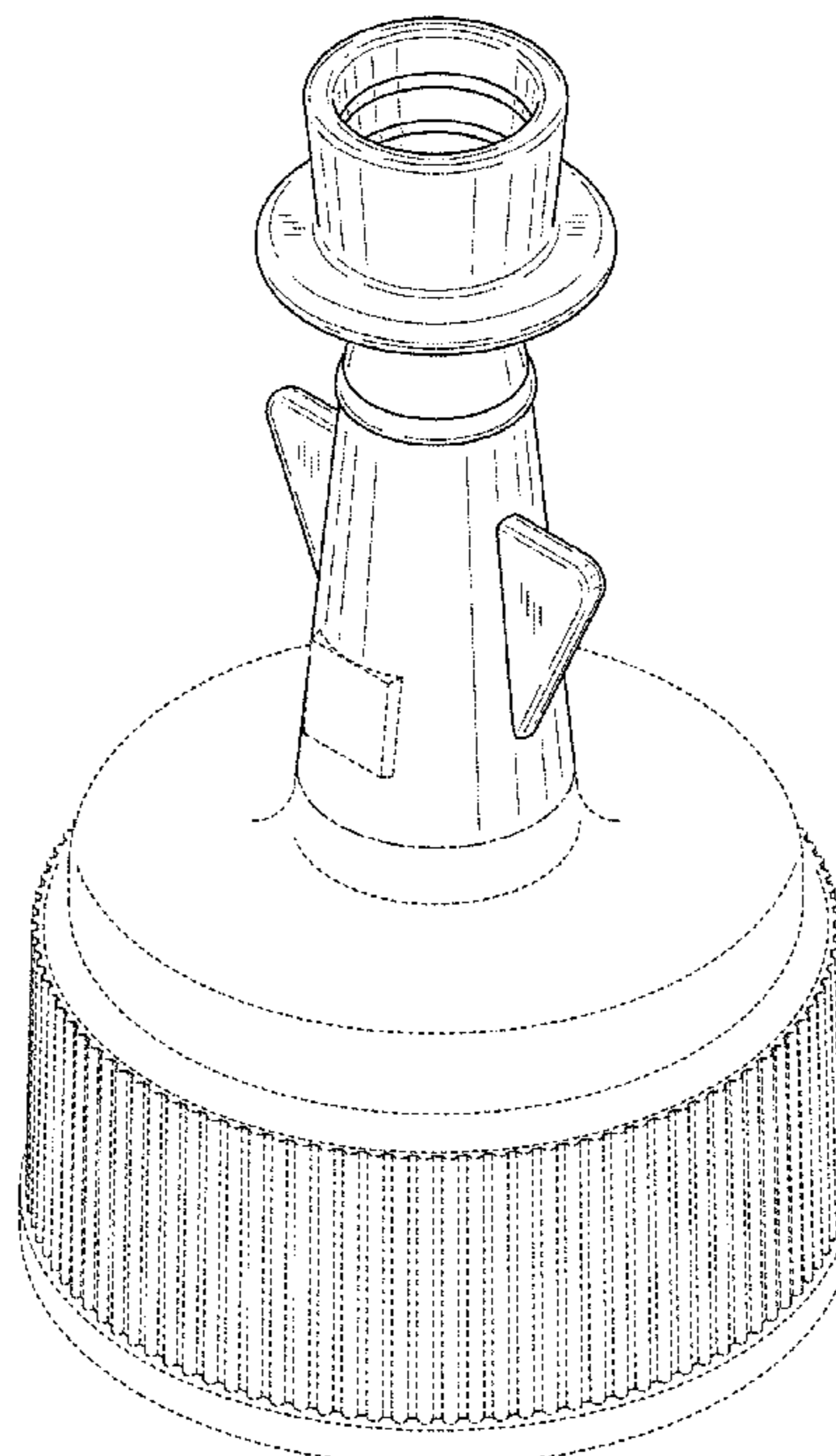


Fig. 1

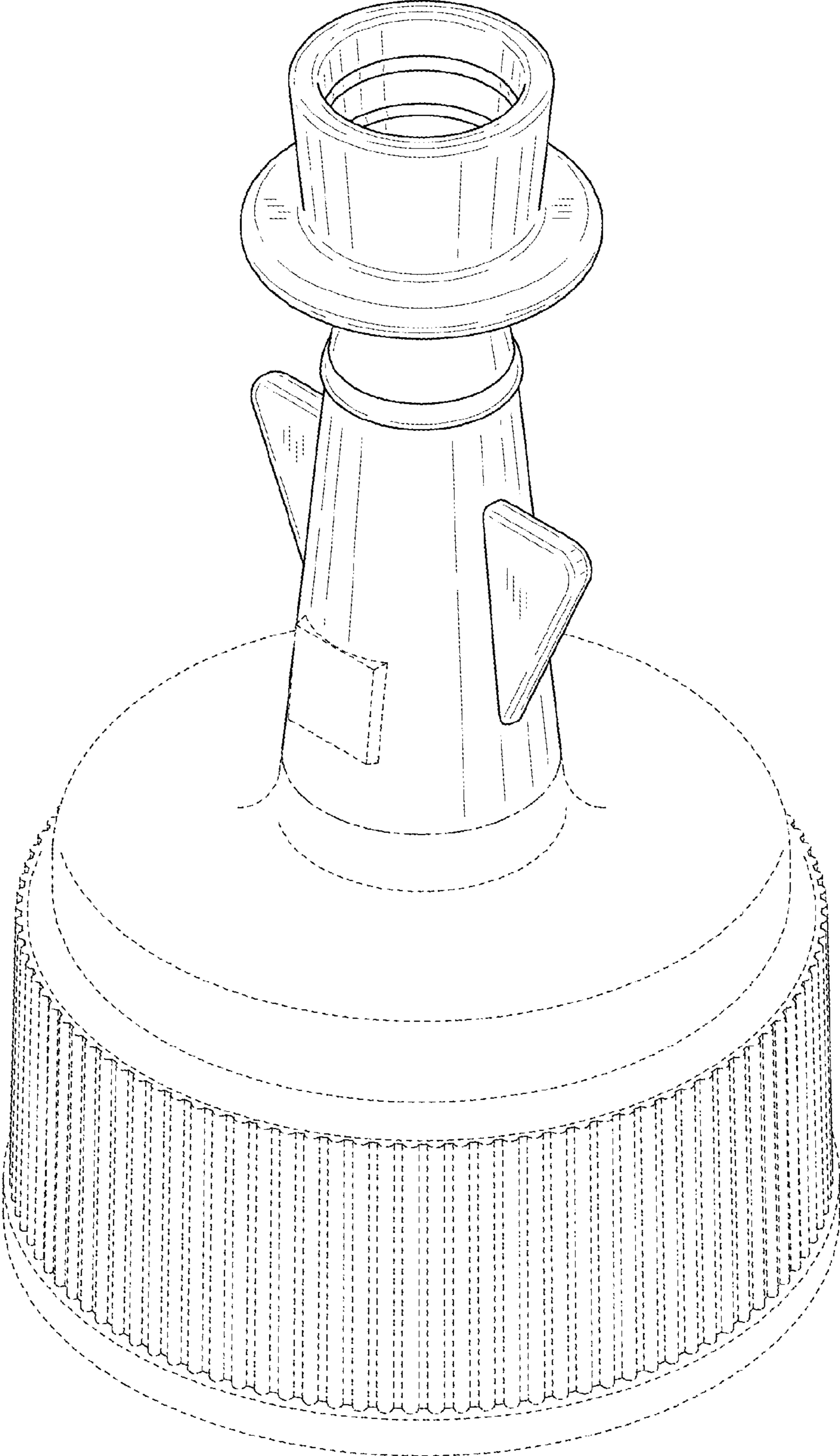


Fig. 2

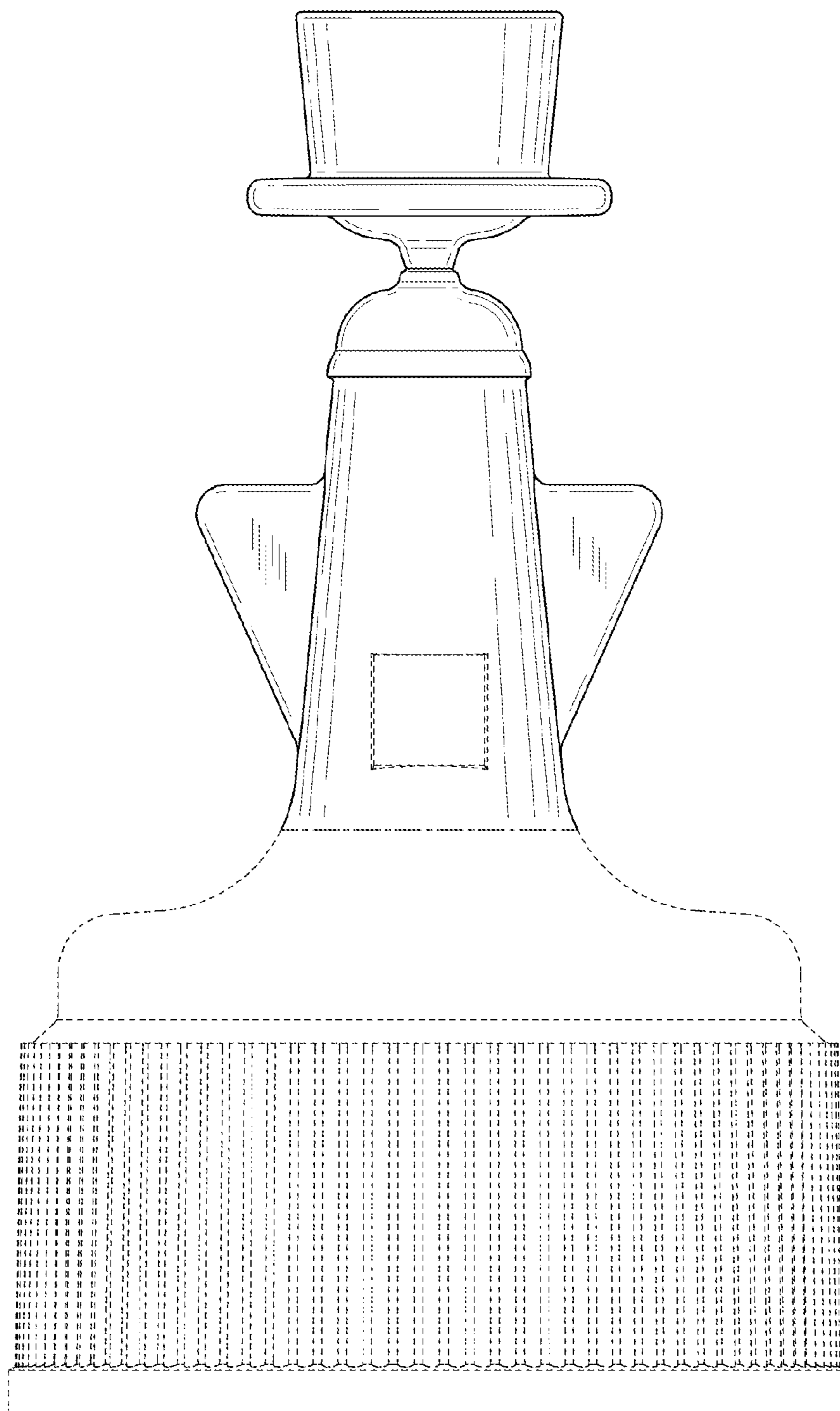


Fig. 3

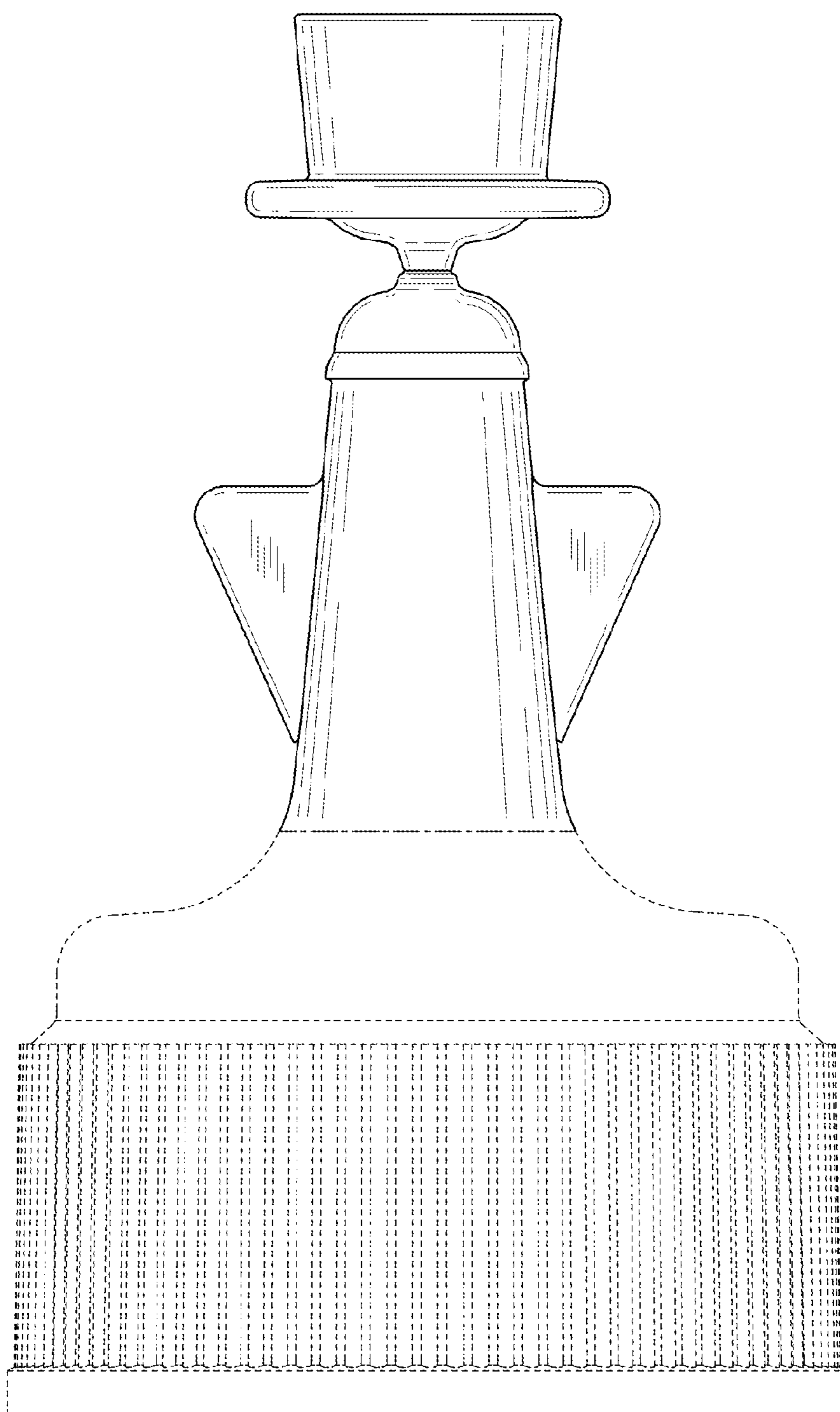


Fig. 4

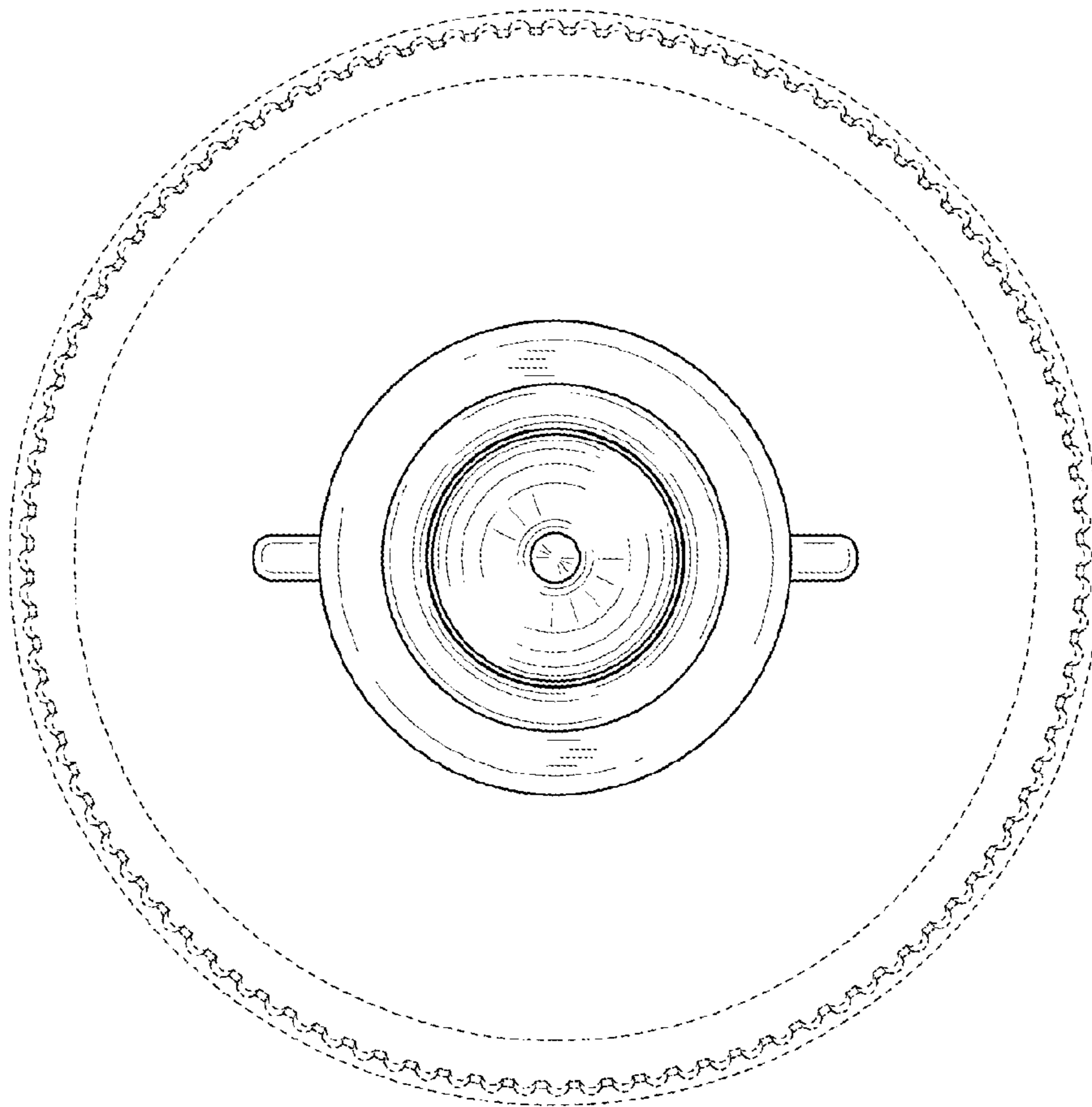


Fig. 5

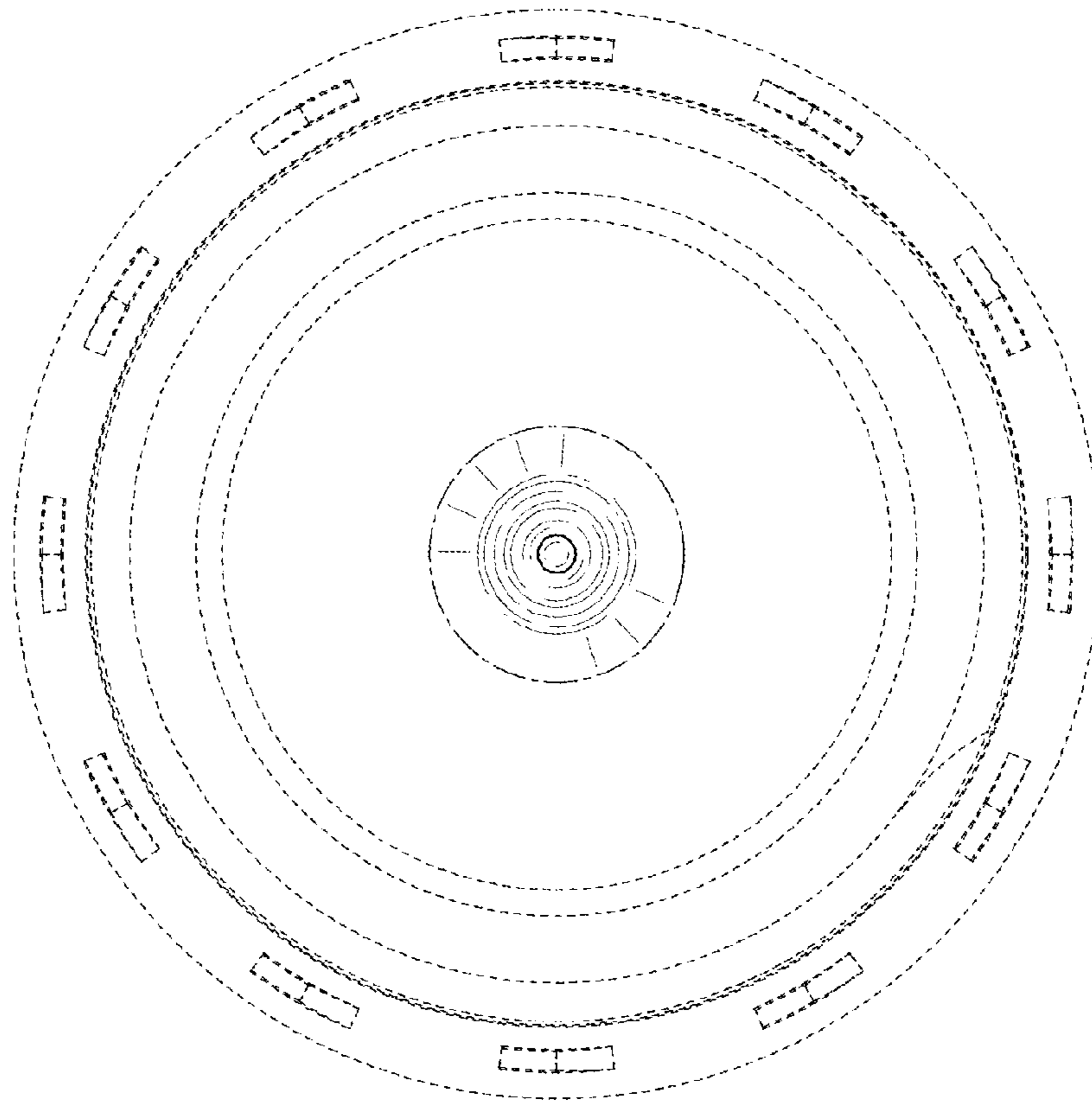


Fig. 6

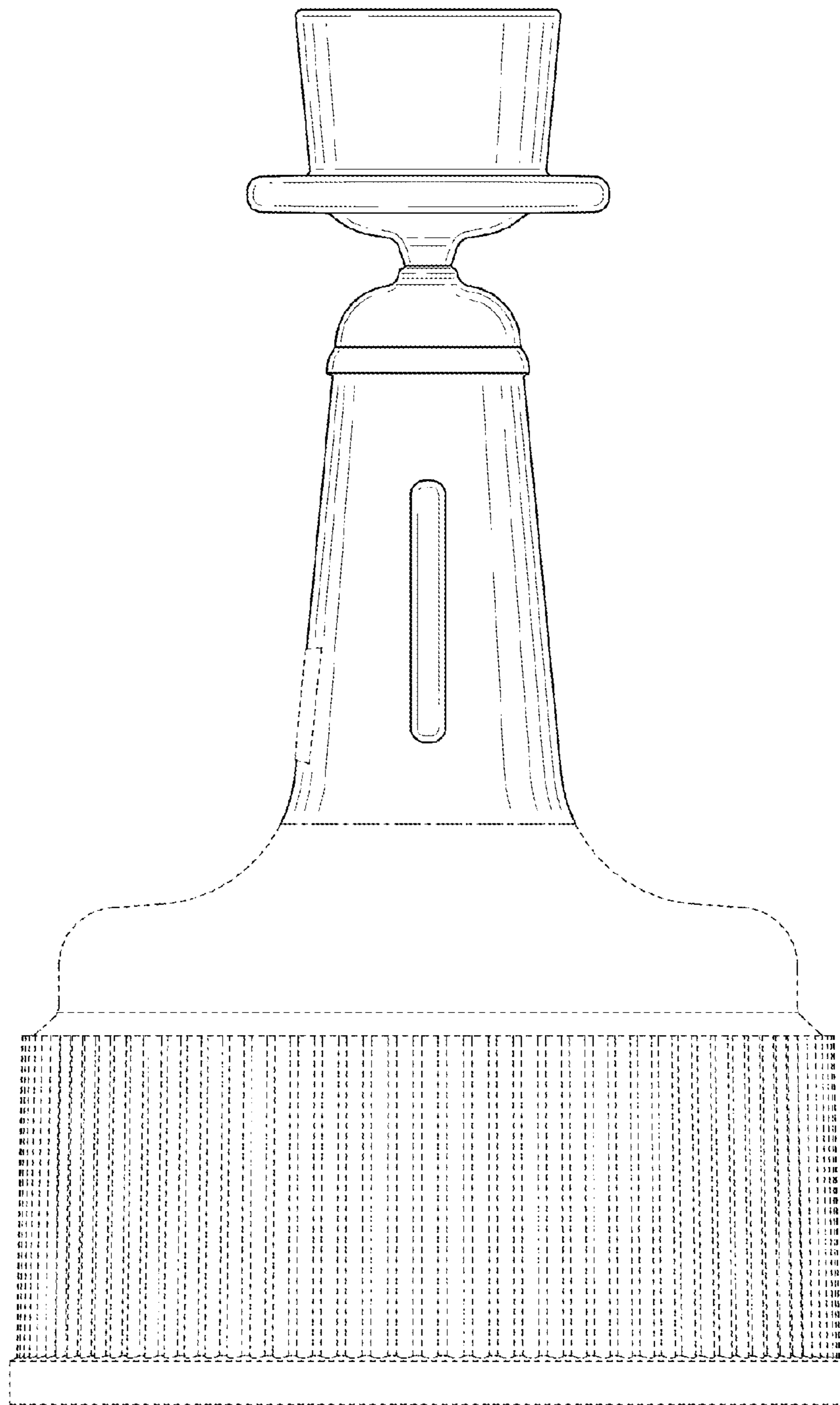


Fig. 7

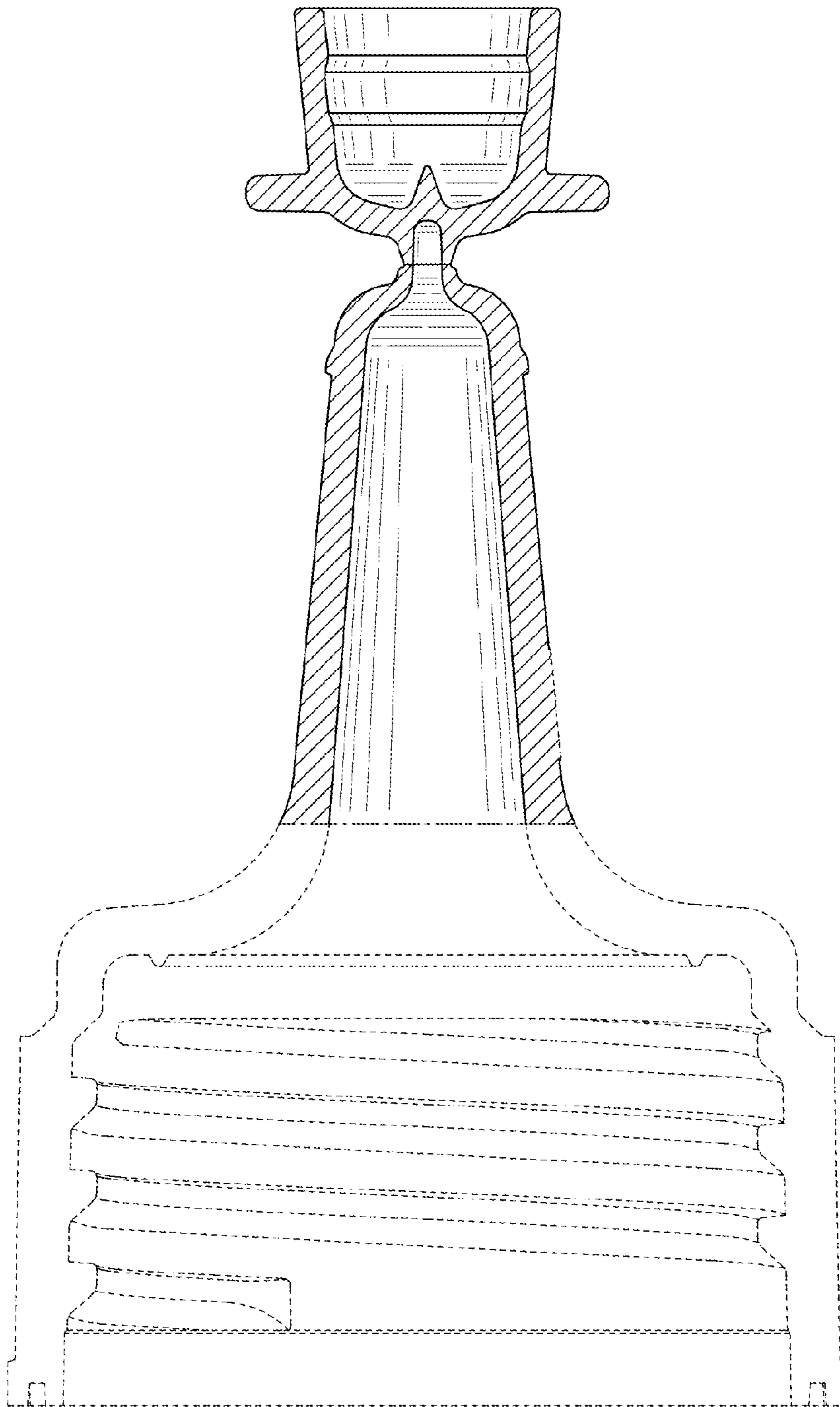


Fig. 8

