



US00D670161S

(12) **United States Design Patent**
Birgers et al.

(10) **Patent No.:** **US D670,161 S**
(45) **Date of Patent:** **** Nov. 6, 2012**

(54) **DISPLAY APPARATUS**

(75) Inventors: **Christopher J. Birgers**, Cupertino, CA (US); **Michael Joseph Solomon**, Foster City, CA (US)

(73) Assignee: **Apple Inc.**, Cupertino, CA (US)

(**) Term: **14 Years**

(21) Appl. No.: **29/379,534**

(22) Filed: **Nov. 19, 2010**

(51) **LOC (9) Cl.** **09-03**

(52) **U.S. Cl.** **D9/415**

(58) **Field of Classification Search** D9/414–435, D9/600–681, 715, 721, 722, 457, 499; 206/461–471, 206/235, 581, 385, 806, 822, 823; 229/100, 229/102.5, 107, 108, 111, 112, 115, 116, 229/116.1, 117.09, 117.12, 117.18, 117.23, 229/117.24, 182.1, 922

See application file for complete search history.

(56) **References Cited**

U.S. PATENT DOCUMENTS

3,414,159	A *	12/1968	Murr	220/345.2
3,483,964	A *	12/1969	Muehling et al.	426/123
D268,331	S *	3/1983	Kay et al.	D9/415
4,570,818	A *	2/1986	Borst et al.	220/835
4,750,619	A *	6/1988	Cohen et al.	206/438
4,896,771	A *	1/1990	Edwards	206/349
D336,018	S *	6/1993	Smith et al.	D7/629
5,297,679	A *	3/1994	Rondone et al.	206/468
D393,799	S *	4/1998	Pope et al.	D9/415
6,830,149	B2 *	12/2004	Merboth et al.	206/438
7,475,780	B2 *	1/2009	Hinze et al.	206/469
D632,955	S *	2/2011	Smith et al.	D9/415
D659,530	S *	5/2012	Akana et al.	D9/424
2002/0189964	A1 *	12/2002	Mazurek	206/461

FOREIGN PATENT DOCUMENTS

JP	D1136196	3/2002
JP	D1136197	7/2012
KR	30-0319917	3/2003
TW	D115893	3/2007

OTHER PUBLICATIONS

U.S. Appl. No. 12/950,875, Birgers et al., “Display Apparatus”, filed Nov. 19, 2010.

* cited by examiner

Primary Examiner — Catherine Tuttle

(74) *Attorney, Agent, or Firm* — Sterne, Kessler, Goldstein & Fox, P.L.L.C.

(57) **CLAIM**

The ornamental design for a display apparatus, as shown and described.

DESCRIPTION

FIG. 1 is a front perspective view of a display apparatus showing our new design.

FIG. 2 is a top view thereof.

FIG. 3 is a bottom view thereof.

FIG. 4 is a front view thereof.

FIG. 5 is a rear view thereof.

FIG. 6 is left side view thereof.

FIG. 7 is a right side view thereof.

FIG. 8 is a perspective view of the display apparatus of FIG. 1 showing an environmental article inserted therein.

FIG. 9 is an exploded left side view of FIG. 8.

FIG. 10 is a left side view of FIG. 8.

FIG. 11 is a front perspective view of a display apparatus showing an alternative embodiment our new design.

FIG. 12 is a top view thereof.

FIG. 13 is a bottom view thereof.

FIG. 14 is a front view thereof.

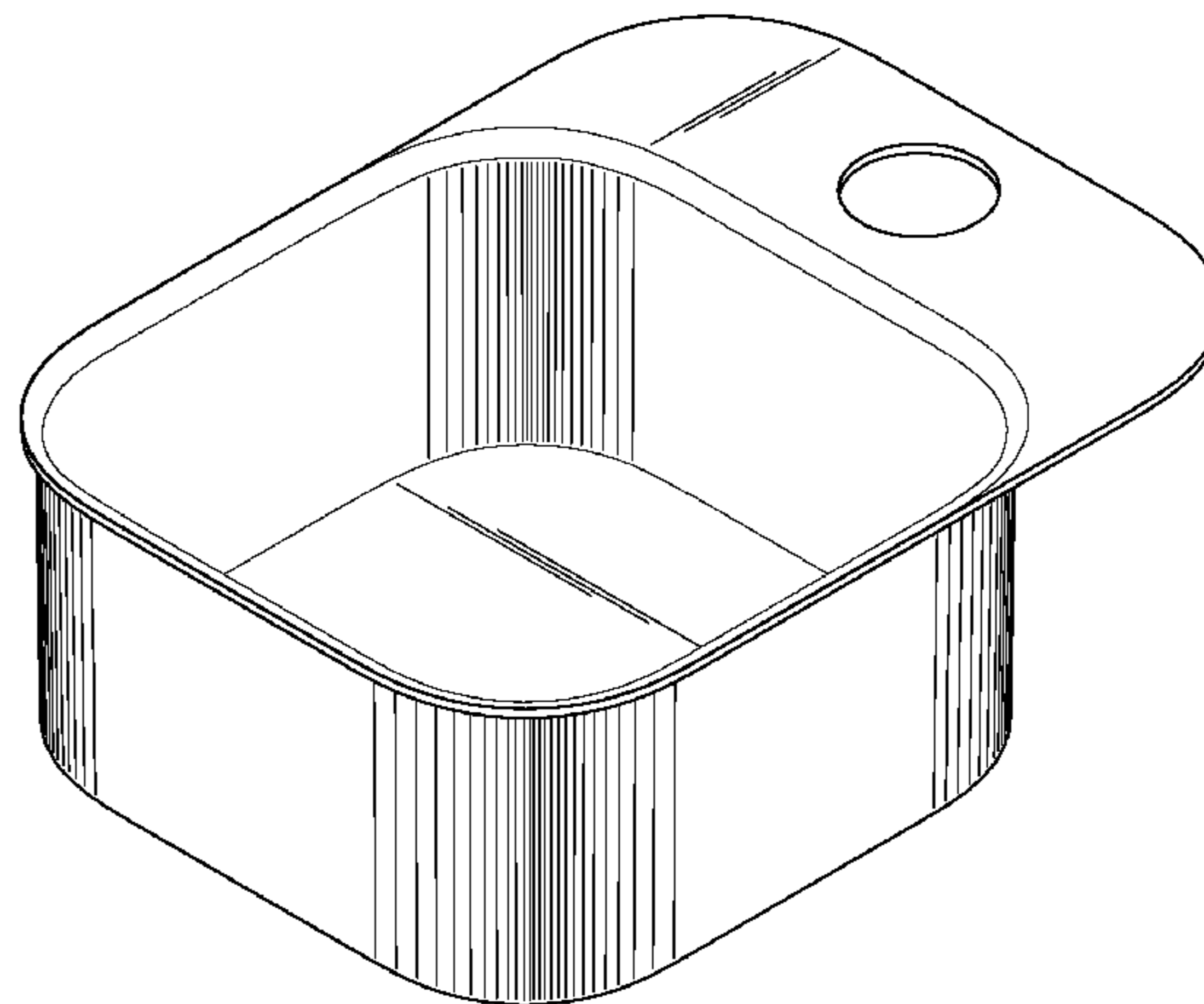
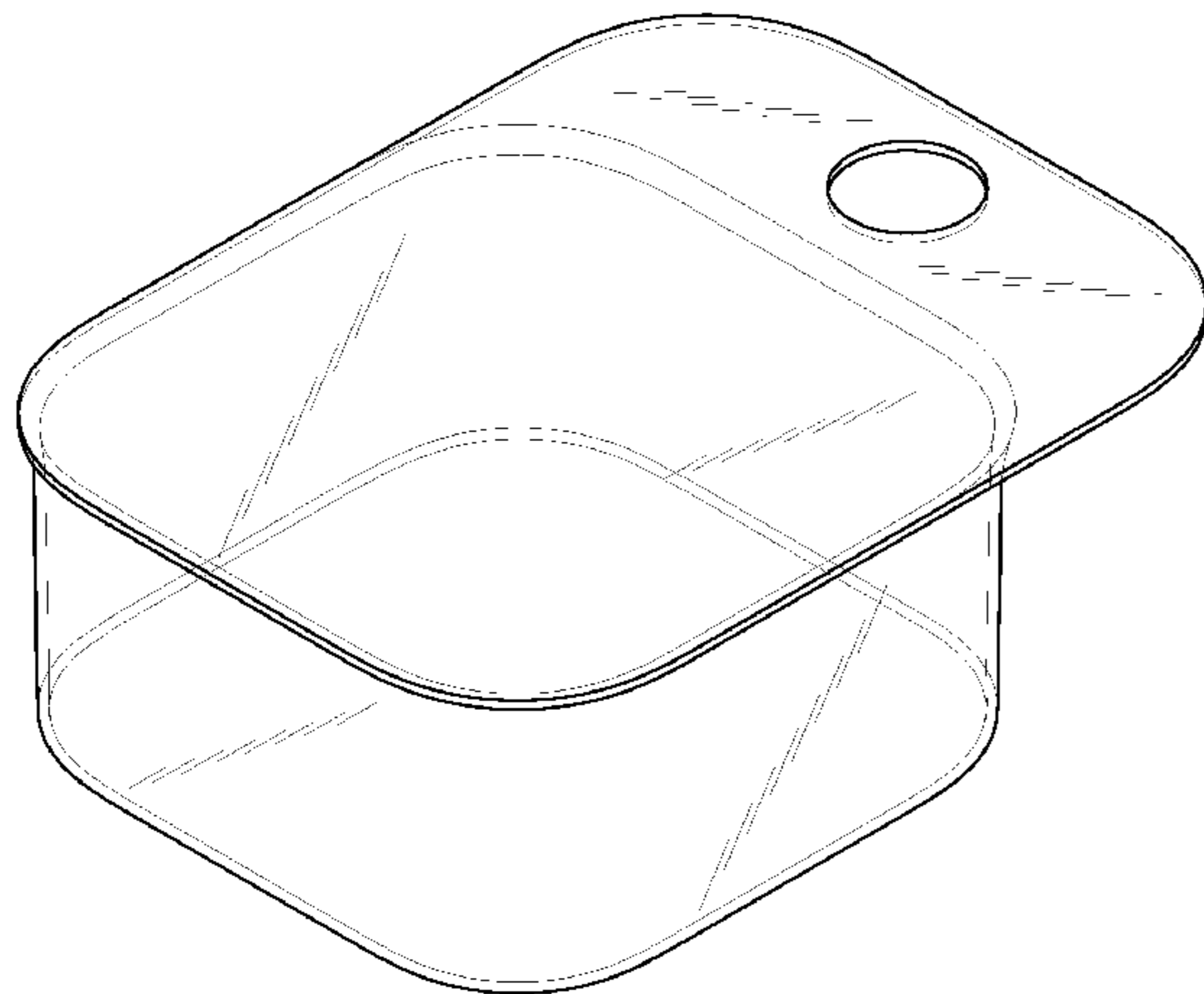
FIG. 15 is a rear view thereof.

FIG. 16 is left side view thereof; and,

FIG. 17 is a right side view thereof.

The broken lines illustrating the environmental article in FIGS. 9 and 10 form no part of the claimed design. The dot dashed broken lines show an unclaimed boundary. The oblique shade lines show transparency and not surface ornamentation. Other shade lines show contour and not surface ornamentation.

1 Claim, 13 Drawing Sheets



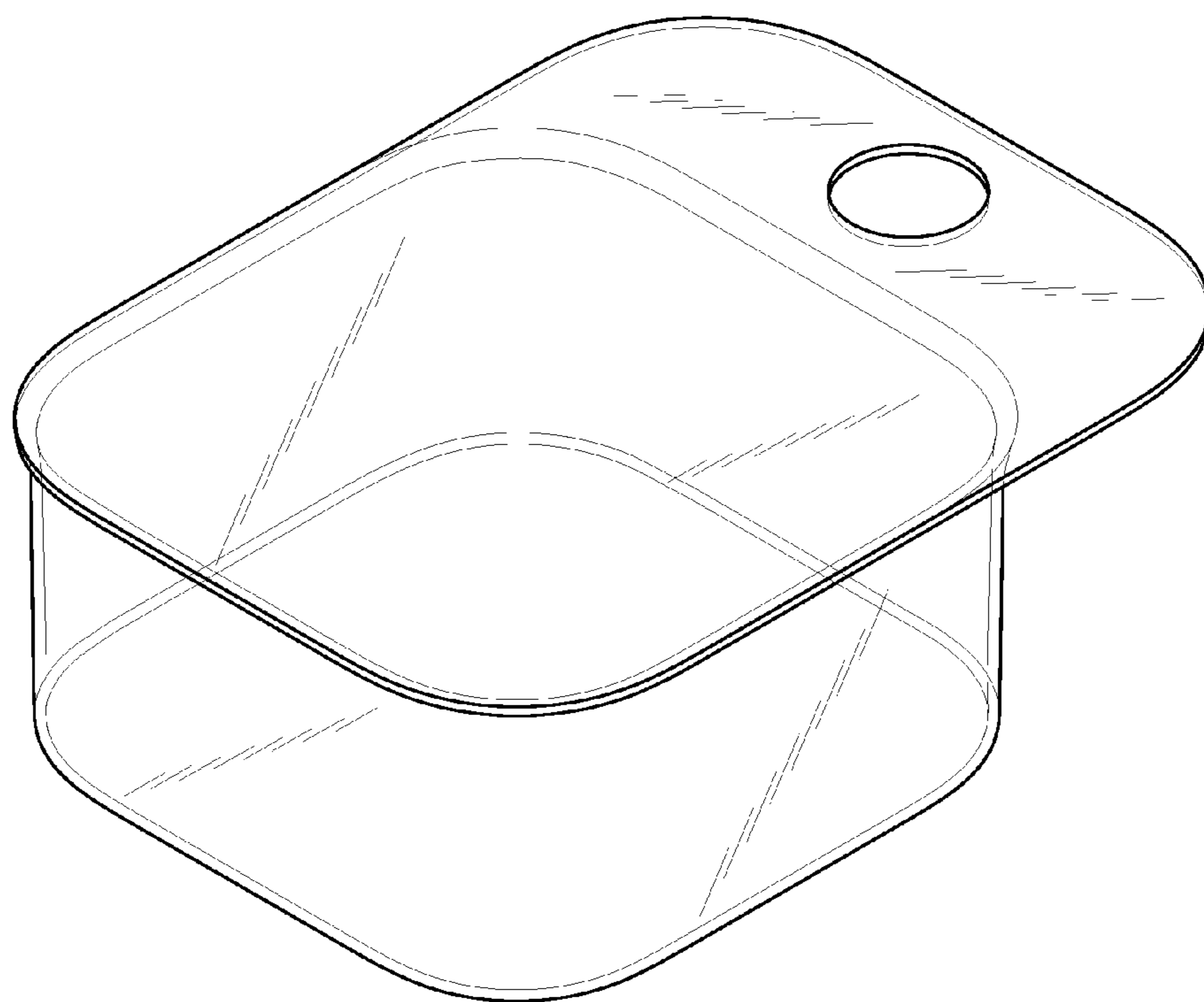


FIG. 1

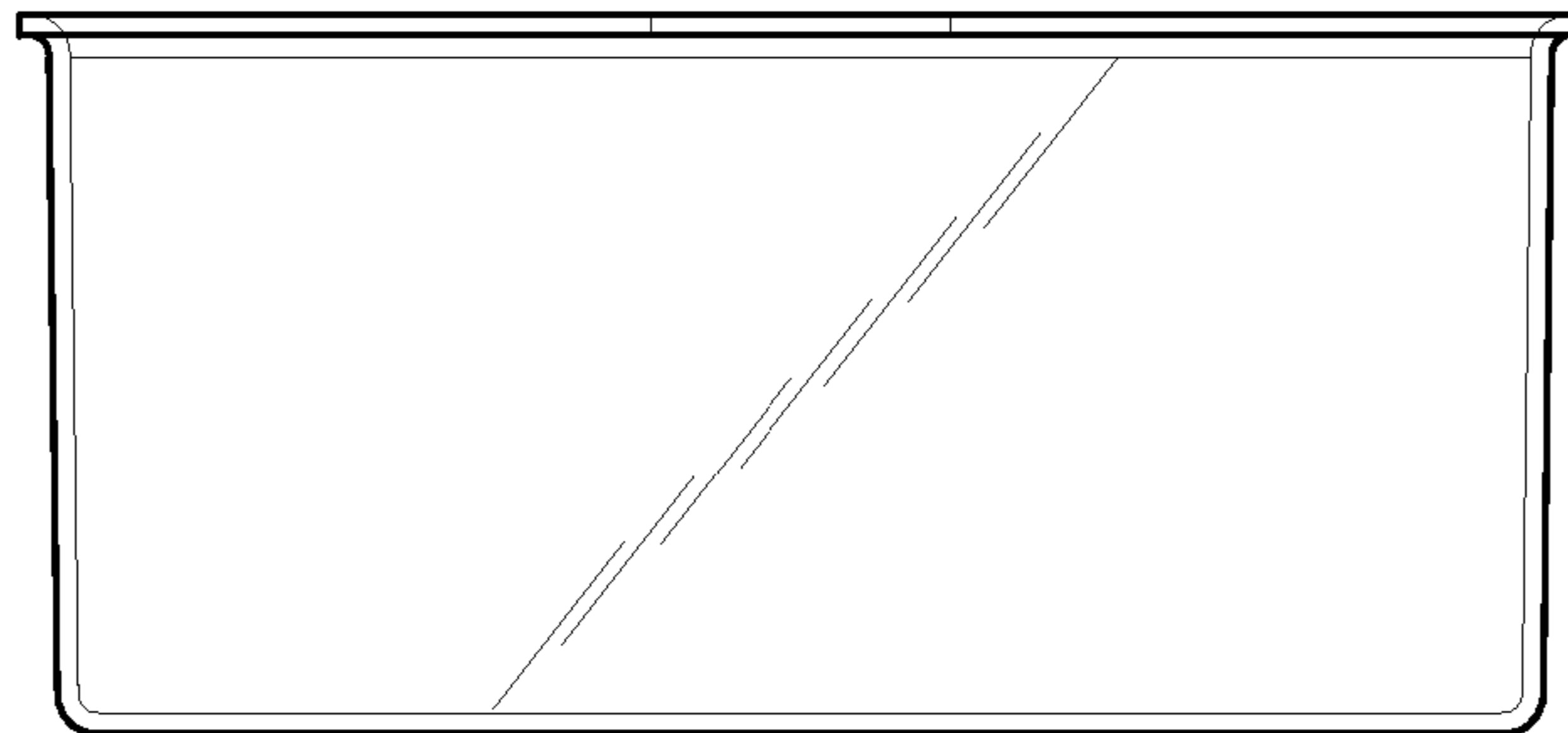


FIG. 2

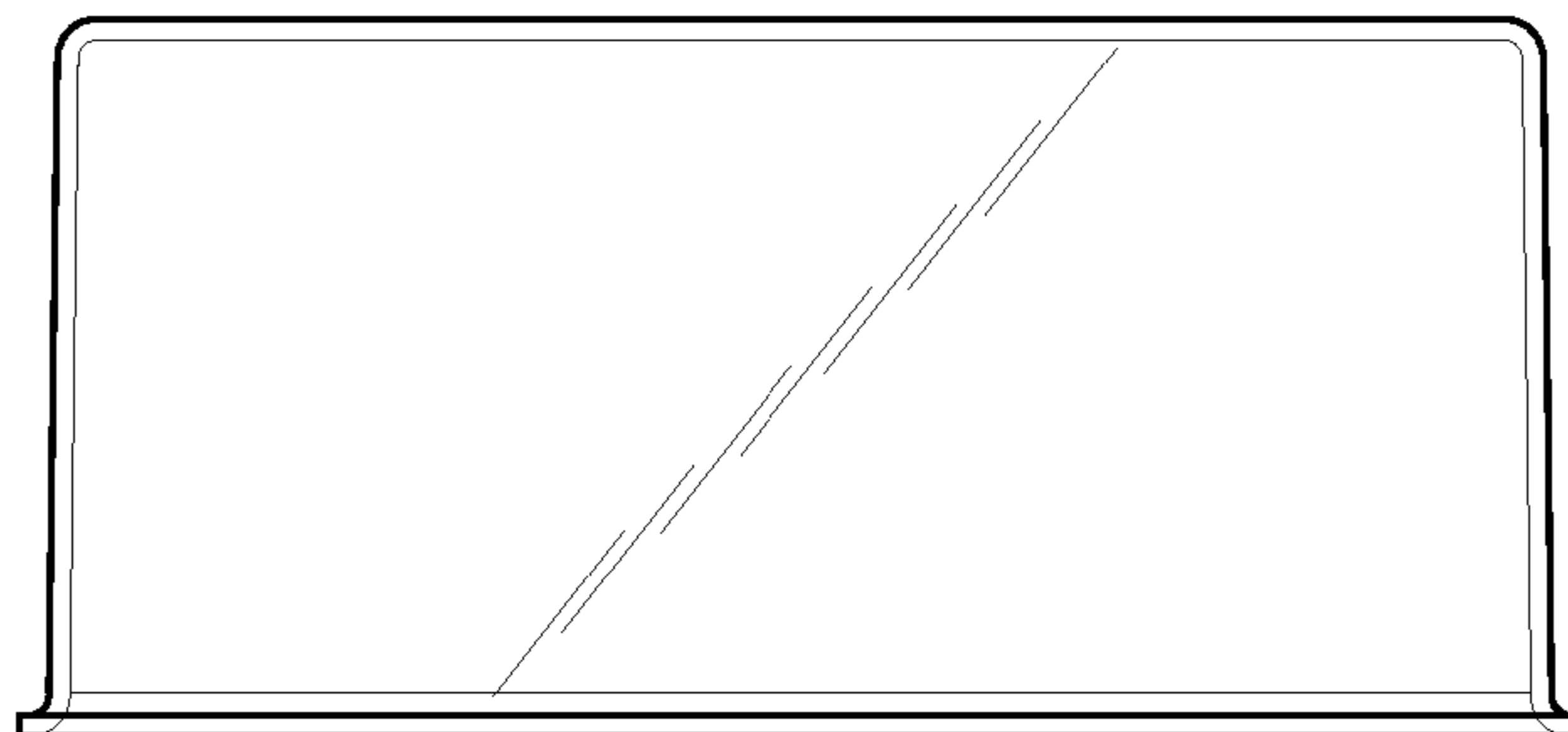


FIG. 3

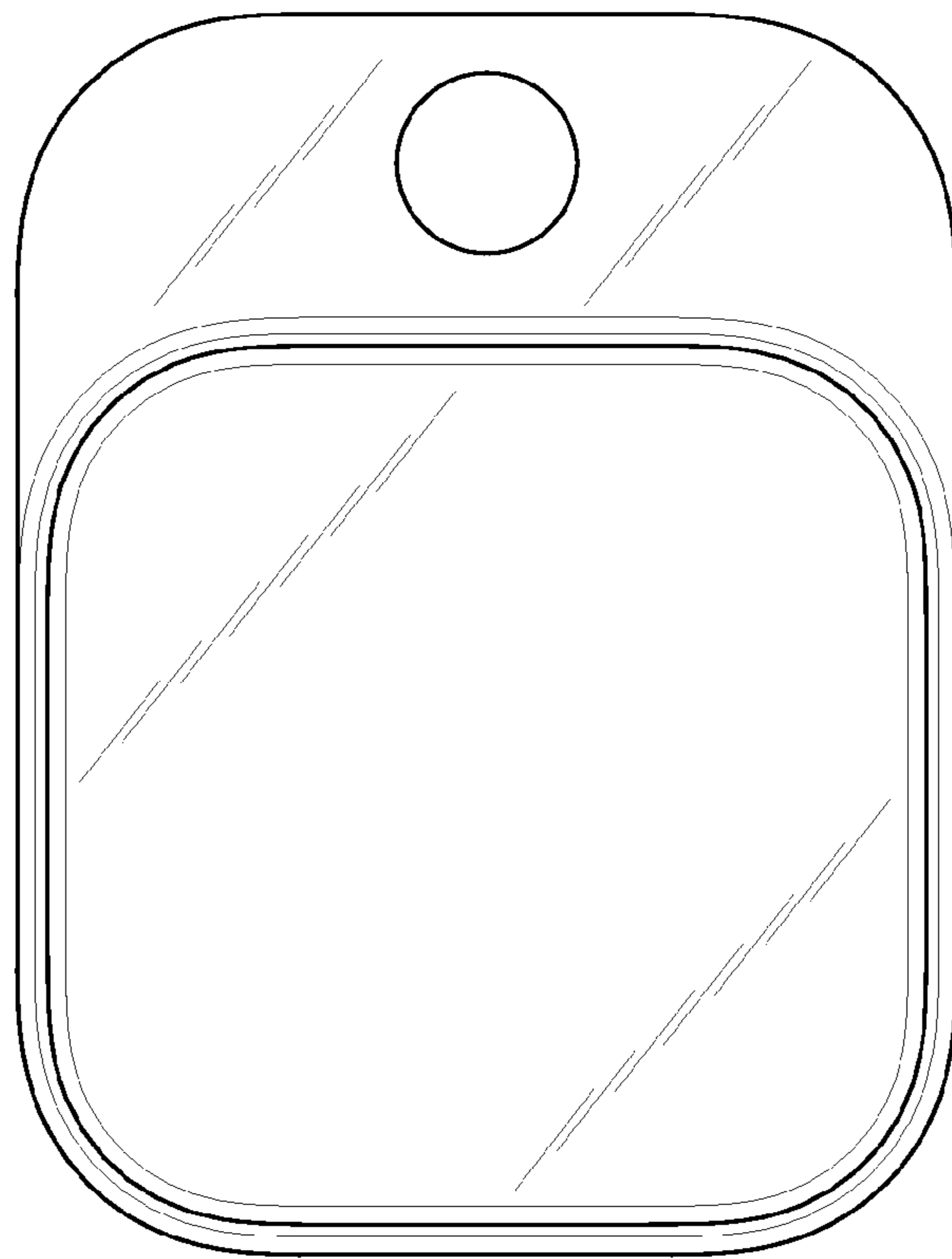


FIG. 4

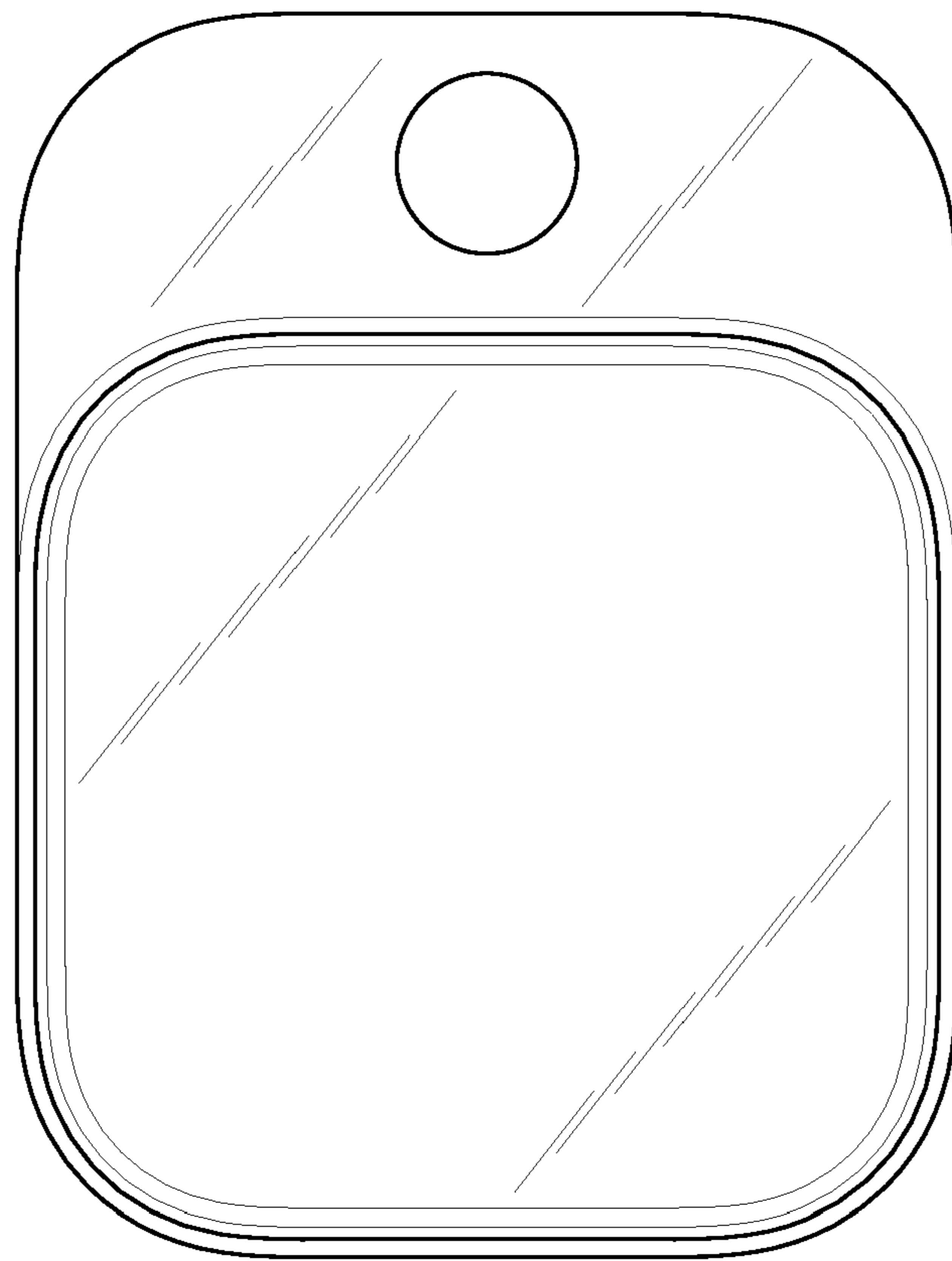


FIG.5

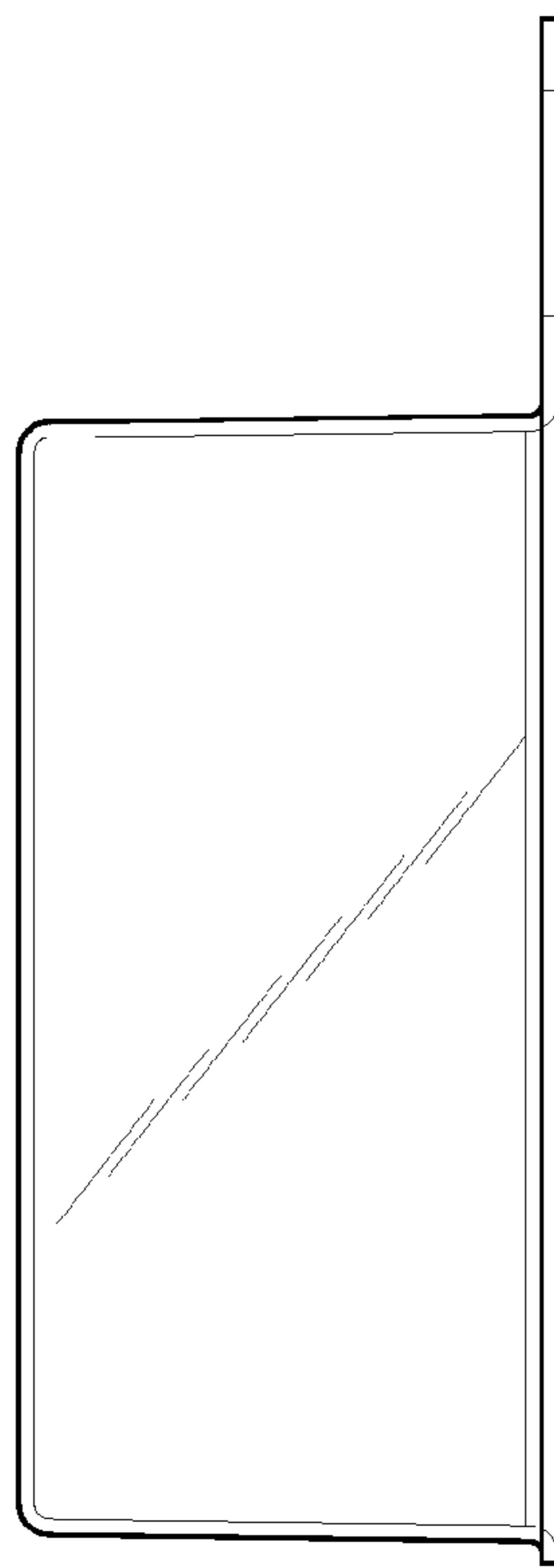


FIG. 6

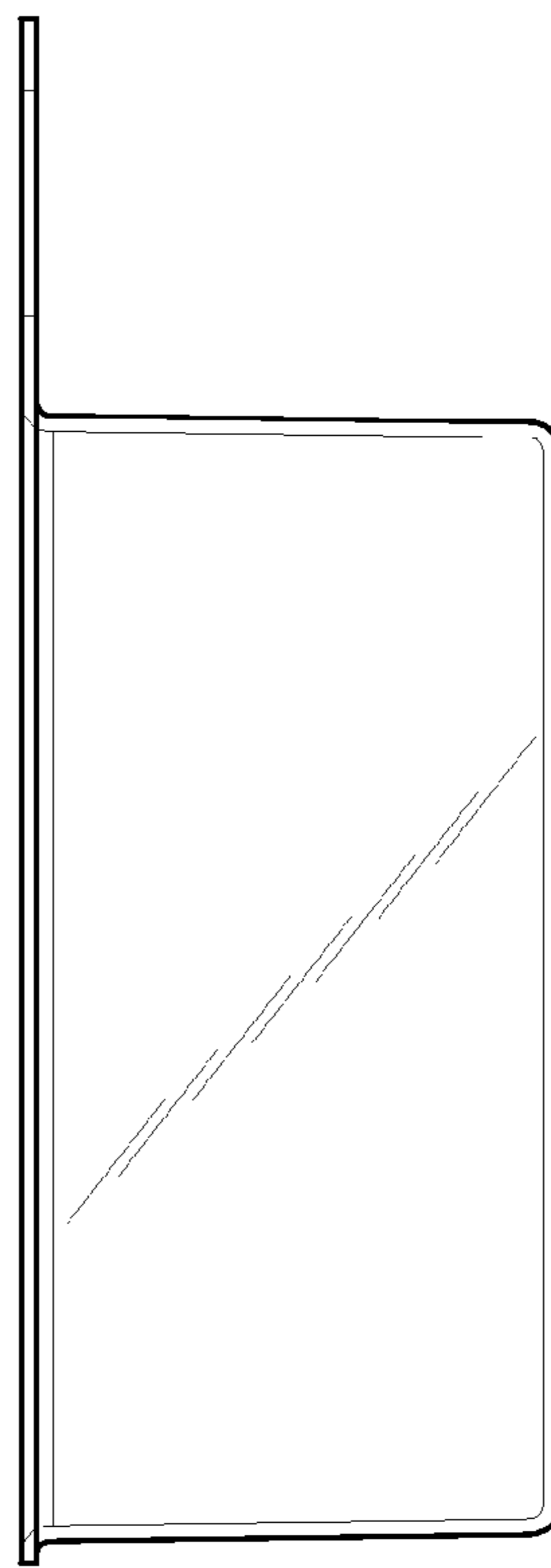


FIG. 7

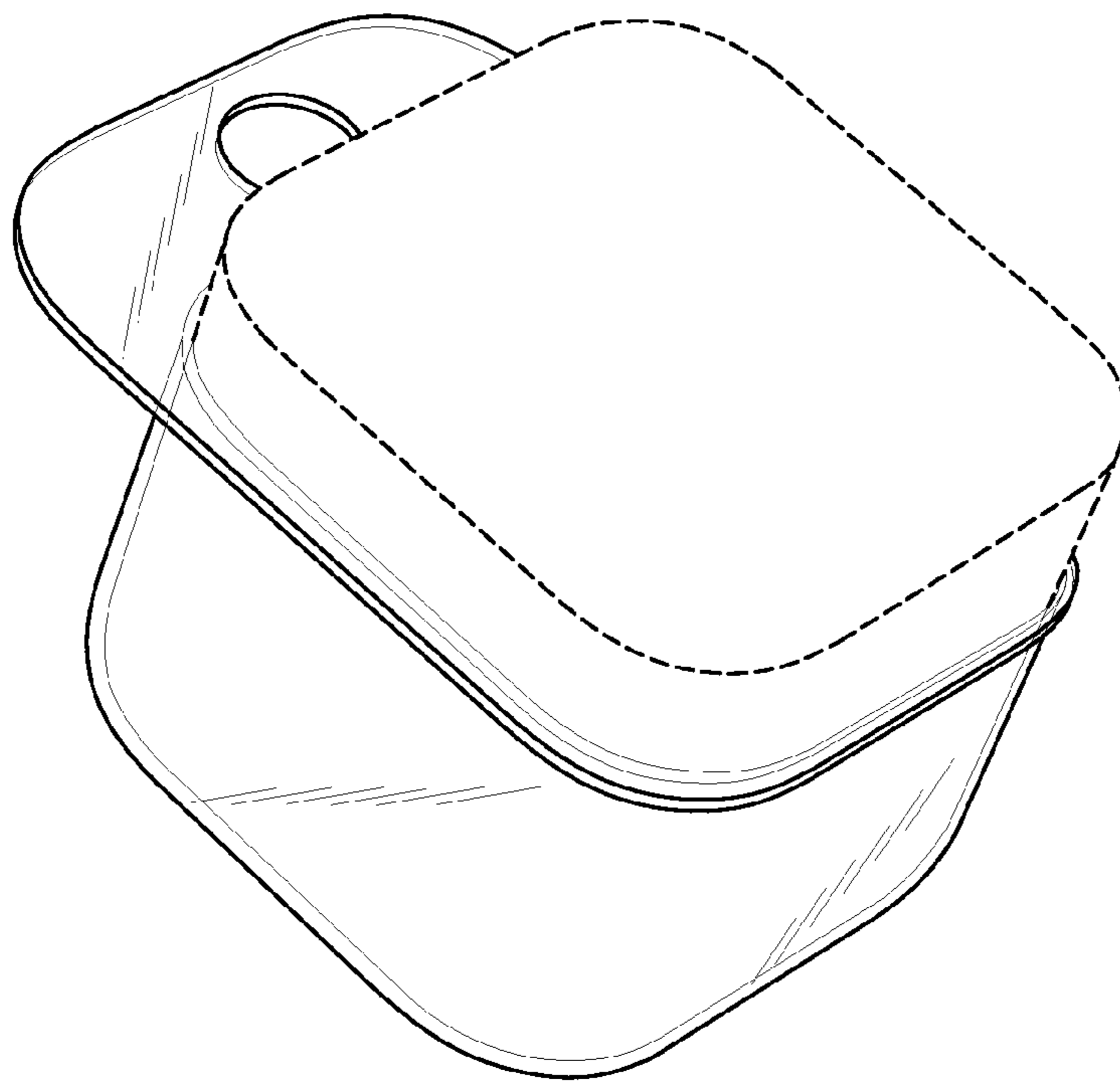


FIG.8

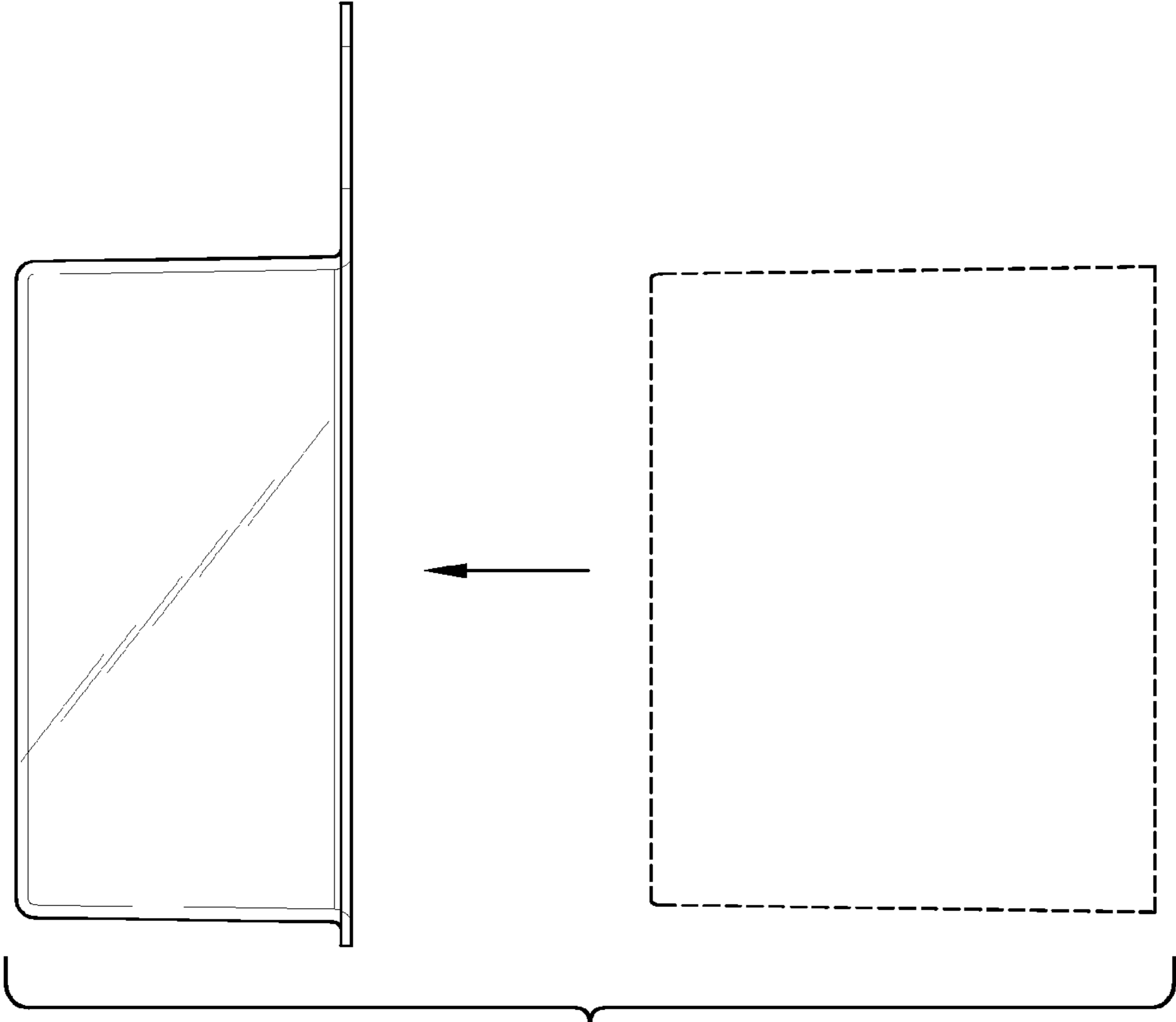


FIG.9

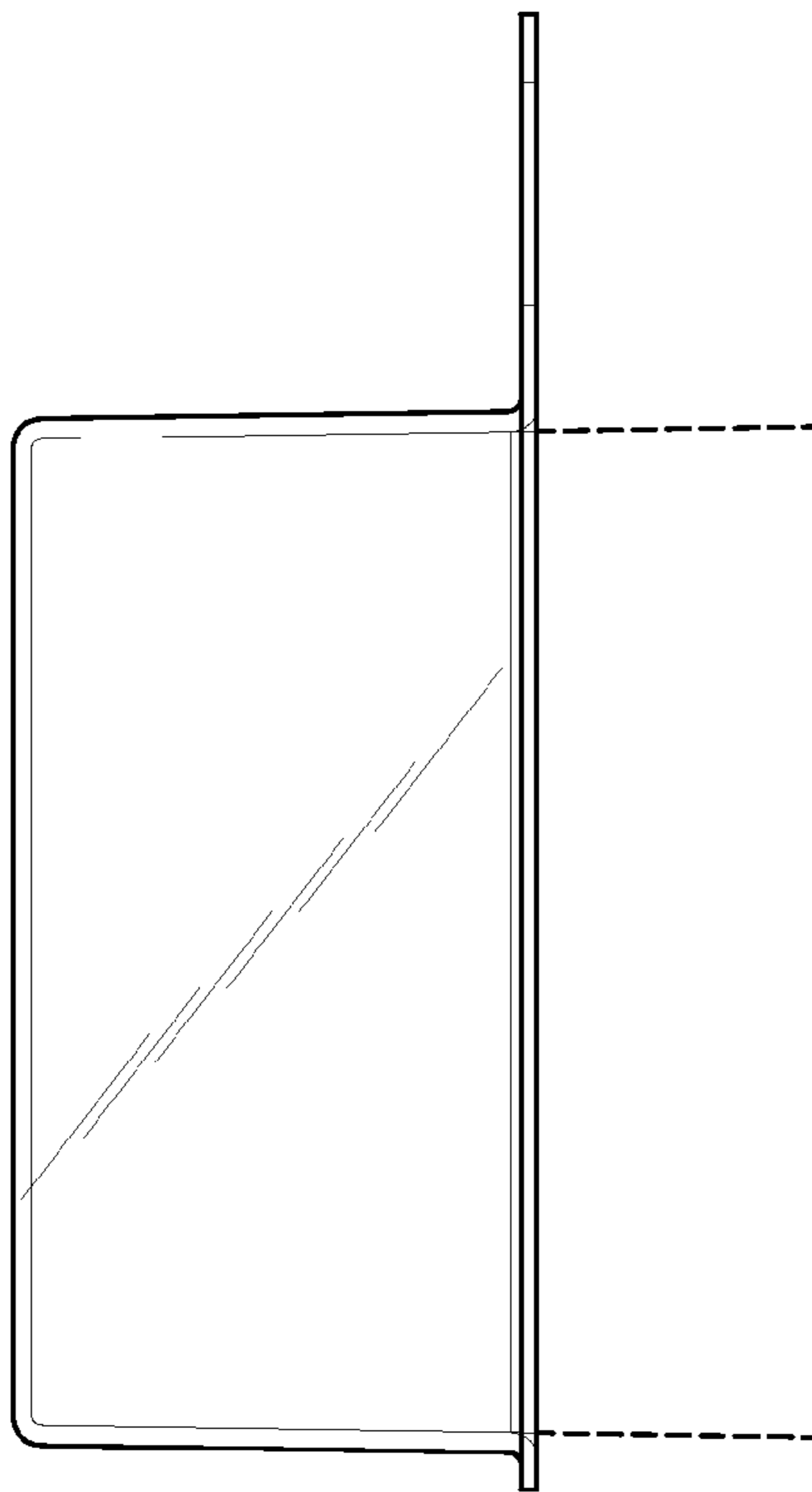


FIG. 10

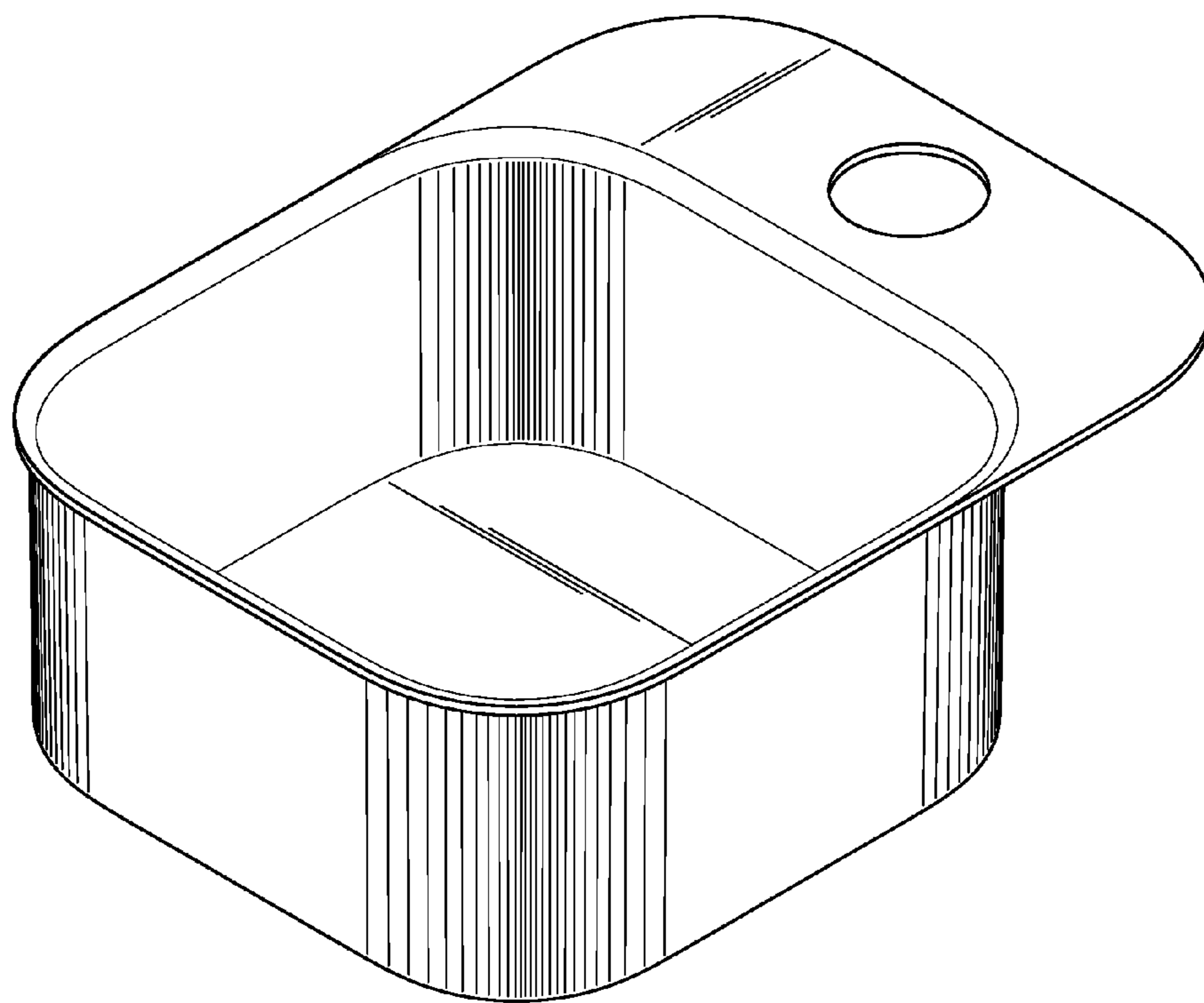


FIG. 11

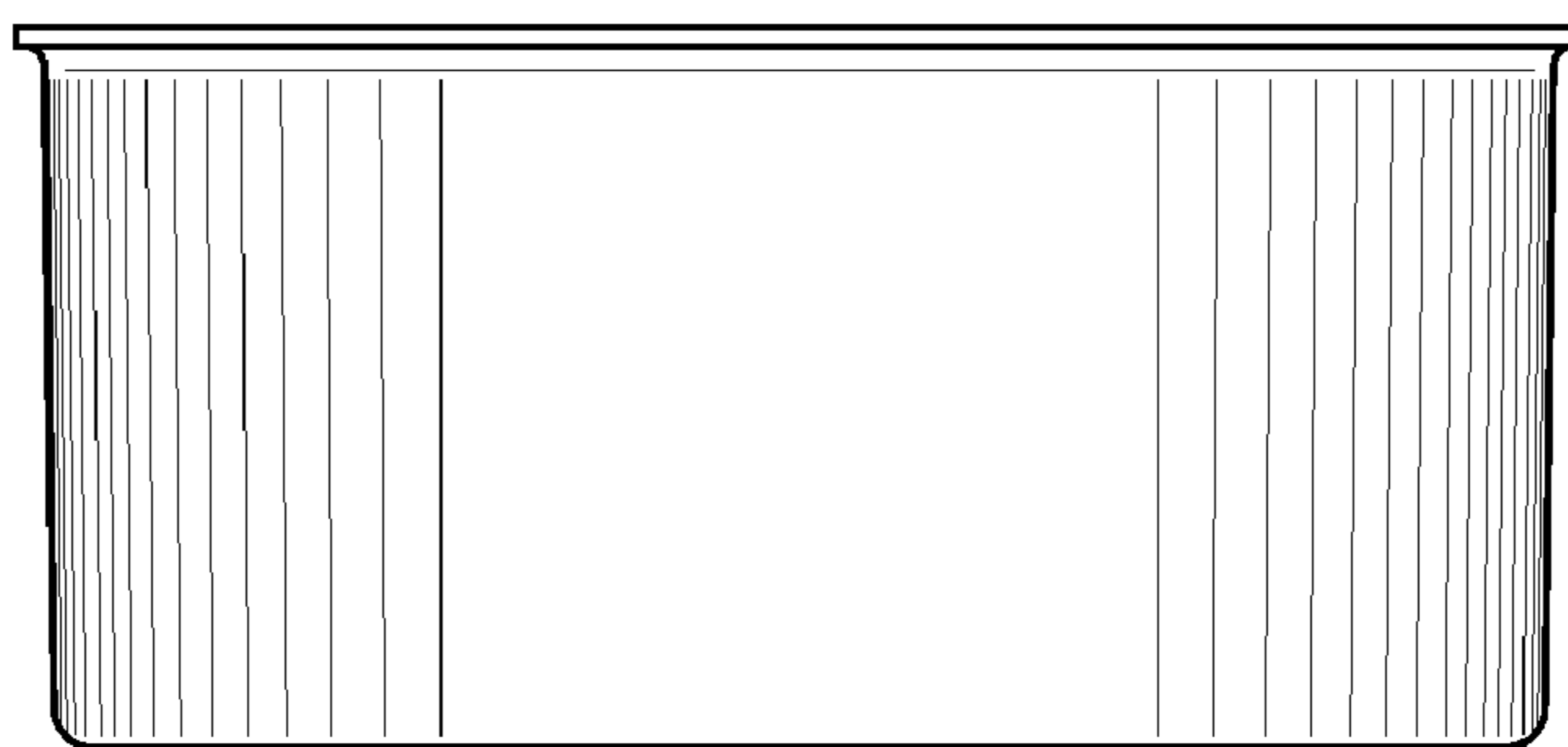


FIG. 12

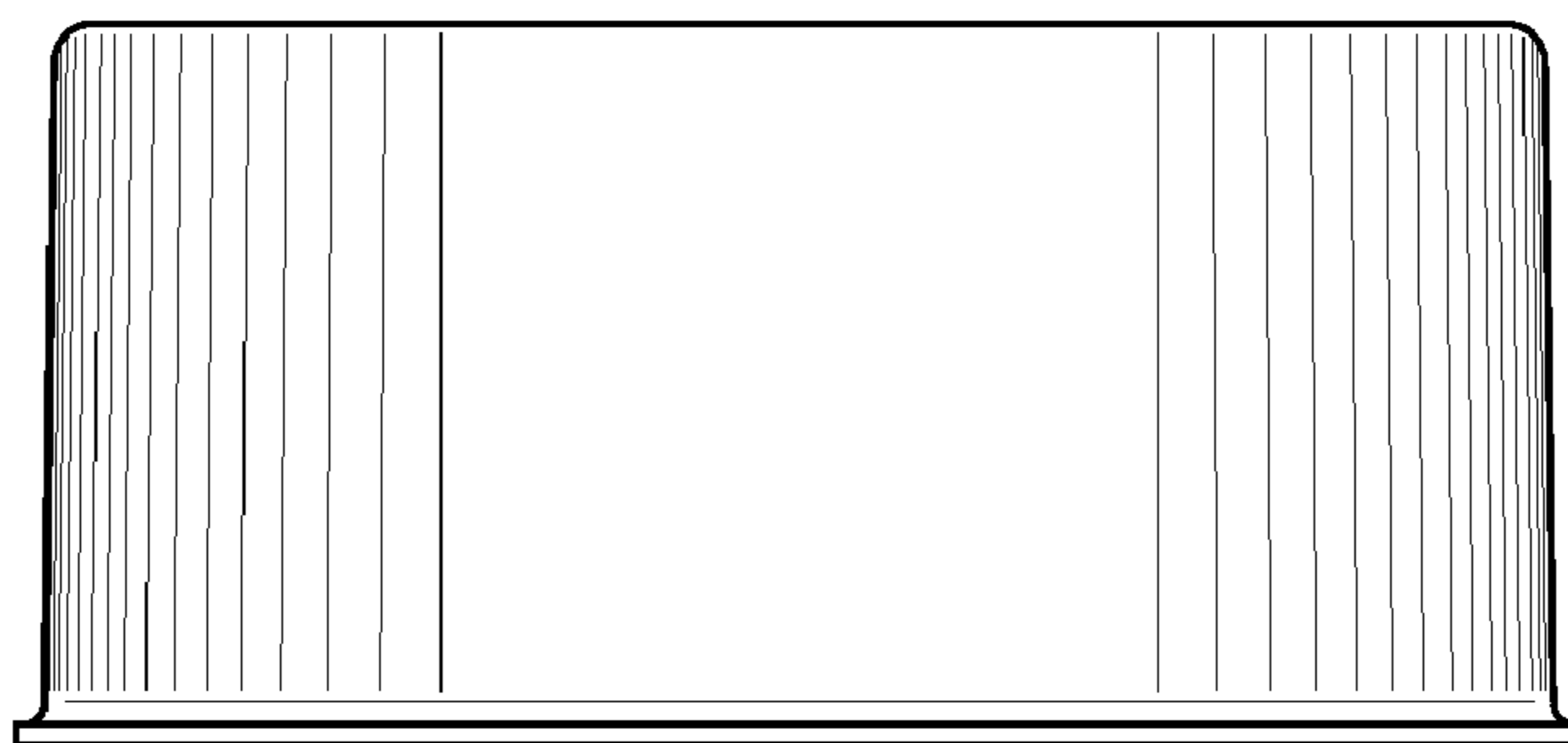


FIG. 13

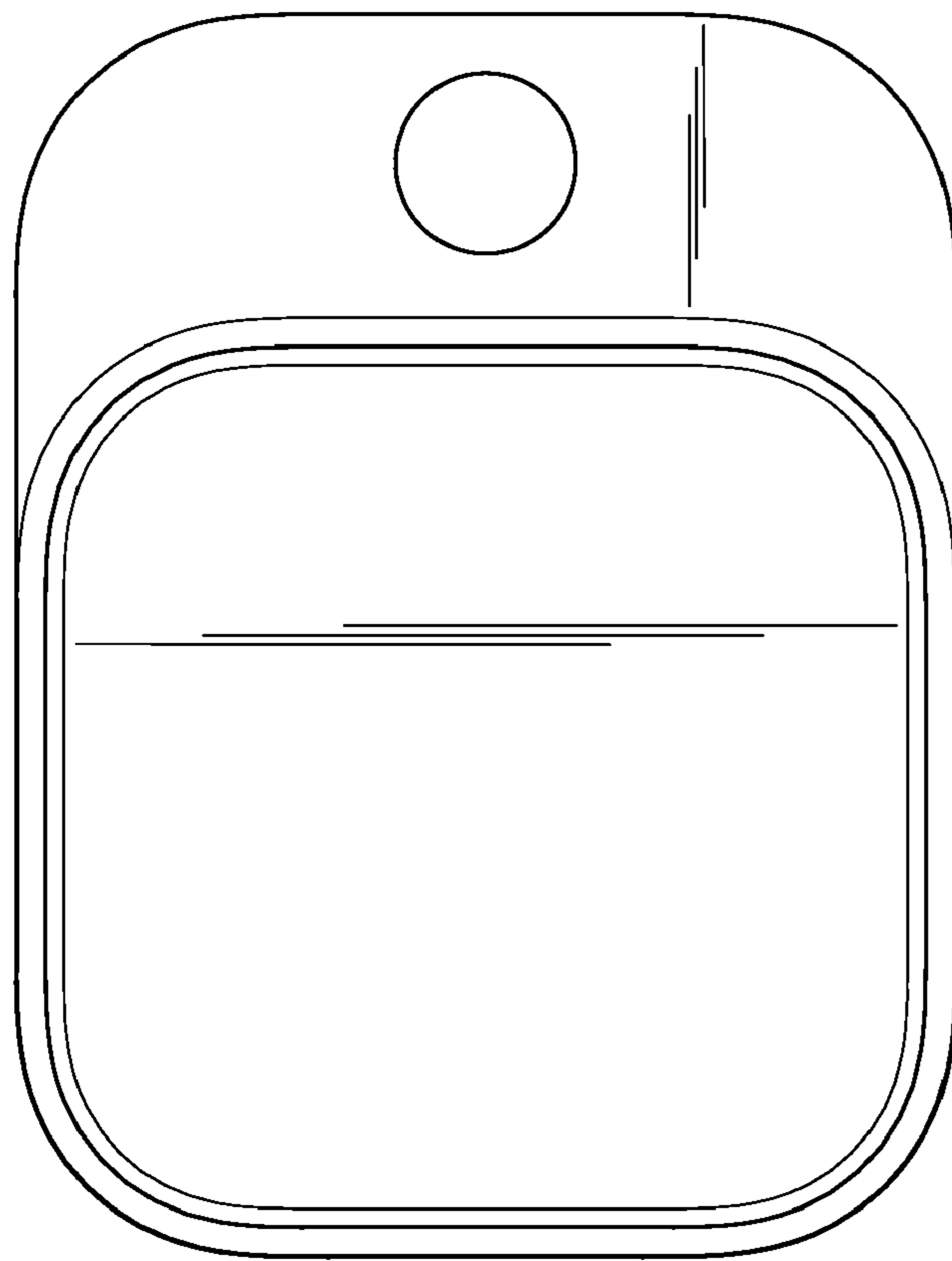


FIG. 14

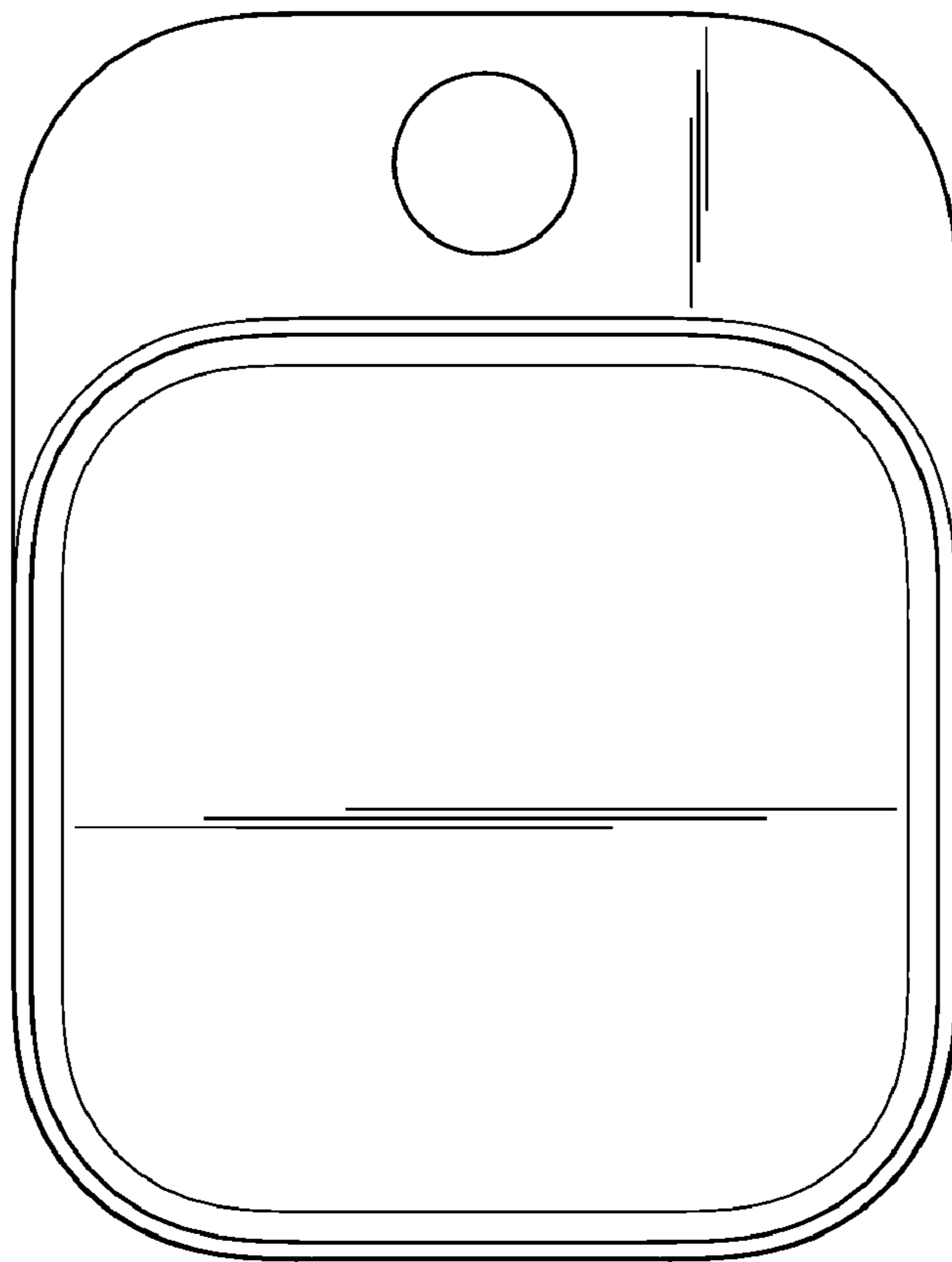


FIG. 15

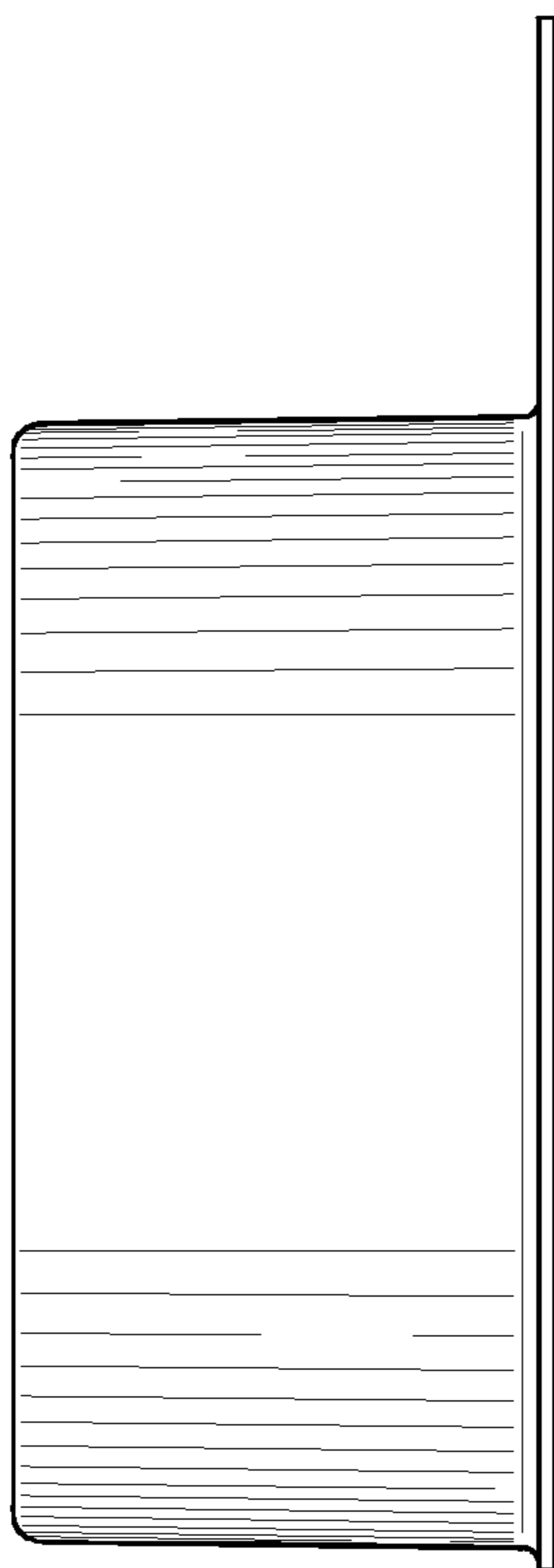


FIG. 16

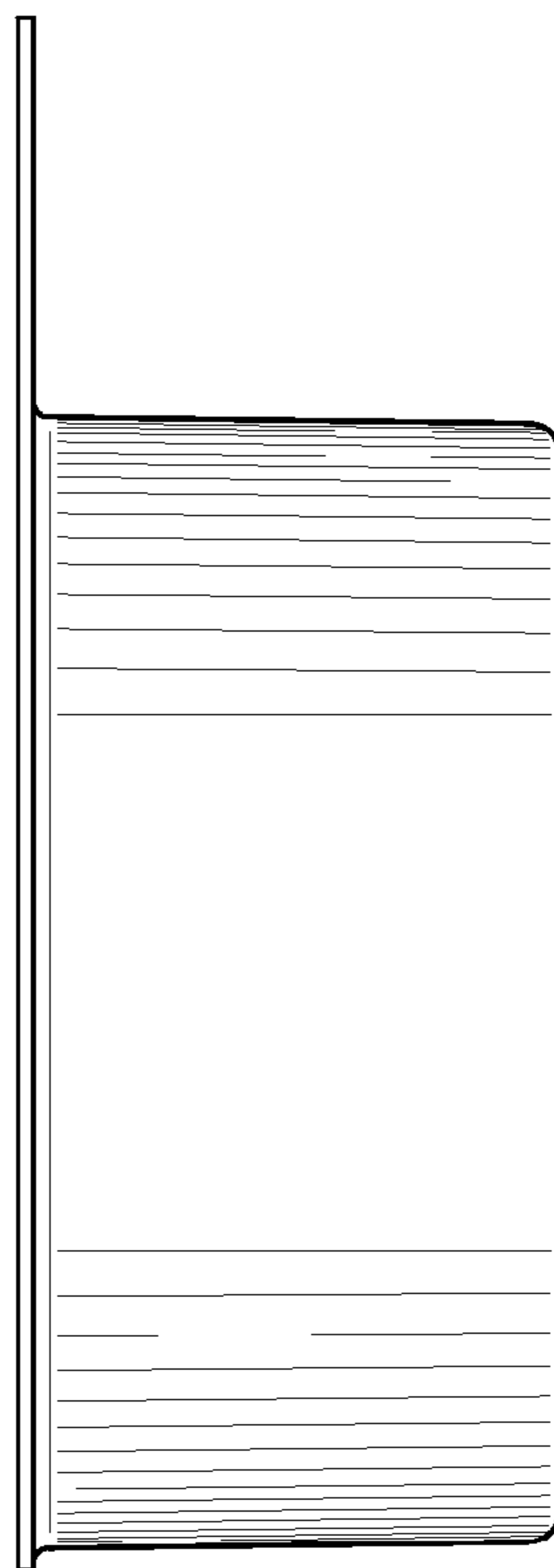


FIG. 17