



US00D670160S

(12) **United States Design Patent**  
**Bitarchas et al.**

(10) **Patent No.:** **US D670,160 S**  
(45) **Date of Patent:** **\*\* Nov. 6, 2012**

(54) **PHOTOVOLTAIC MOUNTING END CLAMP AND ASSEMBLY**

(76) Inventors: **Panagiotis G. Bitarchas**, Athens (GR);  
**Spyridon N. Kottaras**, Athens (GR);  
**Emmanouil E. Vergetis**, Athens (GR)

(\*\*) Term: **14 Years**

(21) Appl. No.: **29/410,084**

(22) Filed: **Jan. 4, 2012**

(51) **LOC (9) Cl.** ..... **08-03**

(52) **U.S. Cl.** ..... **D8/394**

(58) **Field of Classification Search** ..... D8/356,  
D8/371, 394-396, 380; 24/570; 248/74.2,  
248/215, 227.1, 49, 300, 301, 316.7, 51,  
248/489; D19/65, 56; 52/484, 489, 506.06,  
52/506.07, 733.1; D23/133, 134

See application file for complete search history.

(56) **References Cited**

U.S. PATENT DOCUMENTS

4,165,869	A *	8/1979	Williams	.....	269/41
5,271,194	A *	12/1993	Drew	.....	52/25
5,678,797	A *	10/1997	Gogan	.....	248/251
6,233,900	B1 *	5/2001	Gill	.....	52/749.1
D619,879	S *	7/2010	McCarthy et al.	.....	D8/354
D619,880	S *	7/2010	MacDonald et al.	.....	D8/354
D624,805	S *	10/2010	Clarke	.....	D8/354
D628,460	S *	12/2010	Seitz	.....	D8/354

D645,865	S *	9/2011	Diehl	.....	D14/432
2005/0060950	A1 *	3/2005	Hauschildt et al.	.....	52/235
2007/0101667	A1 *	5/2007	Sweet et al.	.....	52/202

\* cited by examiner

*Primary Examiner* — John Windmuller  
(74) *Attorney, Agent, or Firm* — Lazaris IP

(57) **CLAIM**

The ornamental design for a photovoltaic mounting end clamp and assembly, as shown and described.

**DESCRIPTION**

FIG. 1 is a perspective view of a photovoltaic mounting end clamp and assembly according to the present design;  
 FIG. 2 is a front view of a photovoltaic mounting end clamp and assembly according to the present design;  
 FIG. 3 is a back view of a photovoltaic mounting end clamp and assembly according to the present design;  
 FIG. 4 is a top view of a photovoltaic mounting end clamp and assembly according to the present design.  
 FIG. 5 is a bottom view of a photovoltaic mounting end clamp and assembly according to the present design.  
 FIG. 6 is a side view of a photovoltaic mounting end clamp and assembly according to the present design; and,  
 FIG. 7 is a side view of a photovoltaic mounting end clamp and assembly according to the present design.  
 Washers indicated in broken lines in FIG. 2, FIG. 3 and FIG. 4 and items indicated in broken lines in FIG. 1 and FIG. 5 are shown for illustrative purposes only and form no part of the claimed design.

**1 Claim, 3 Drawing Sheets**

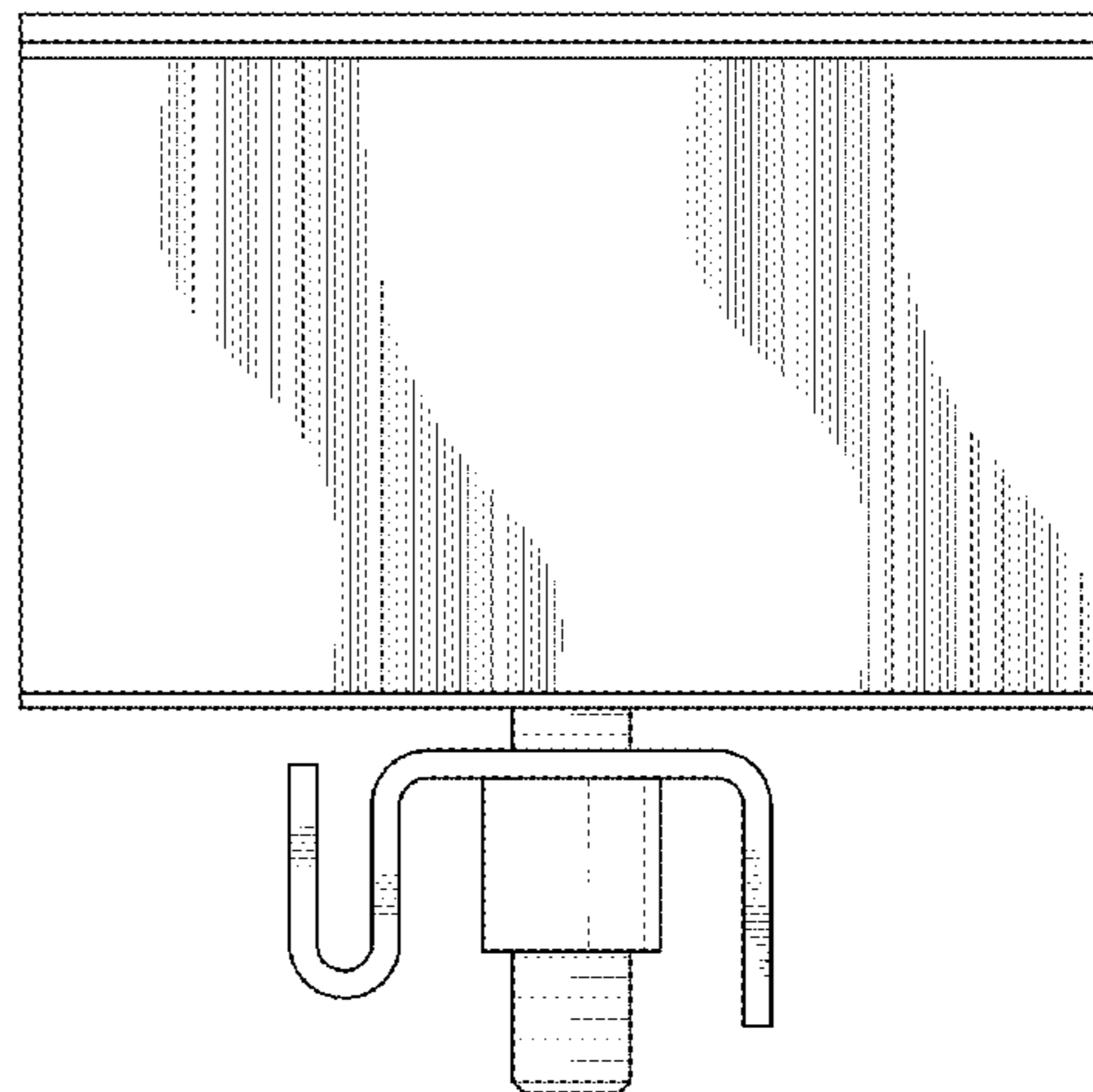
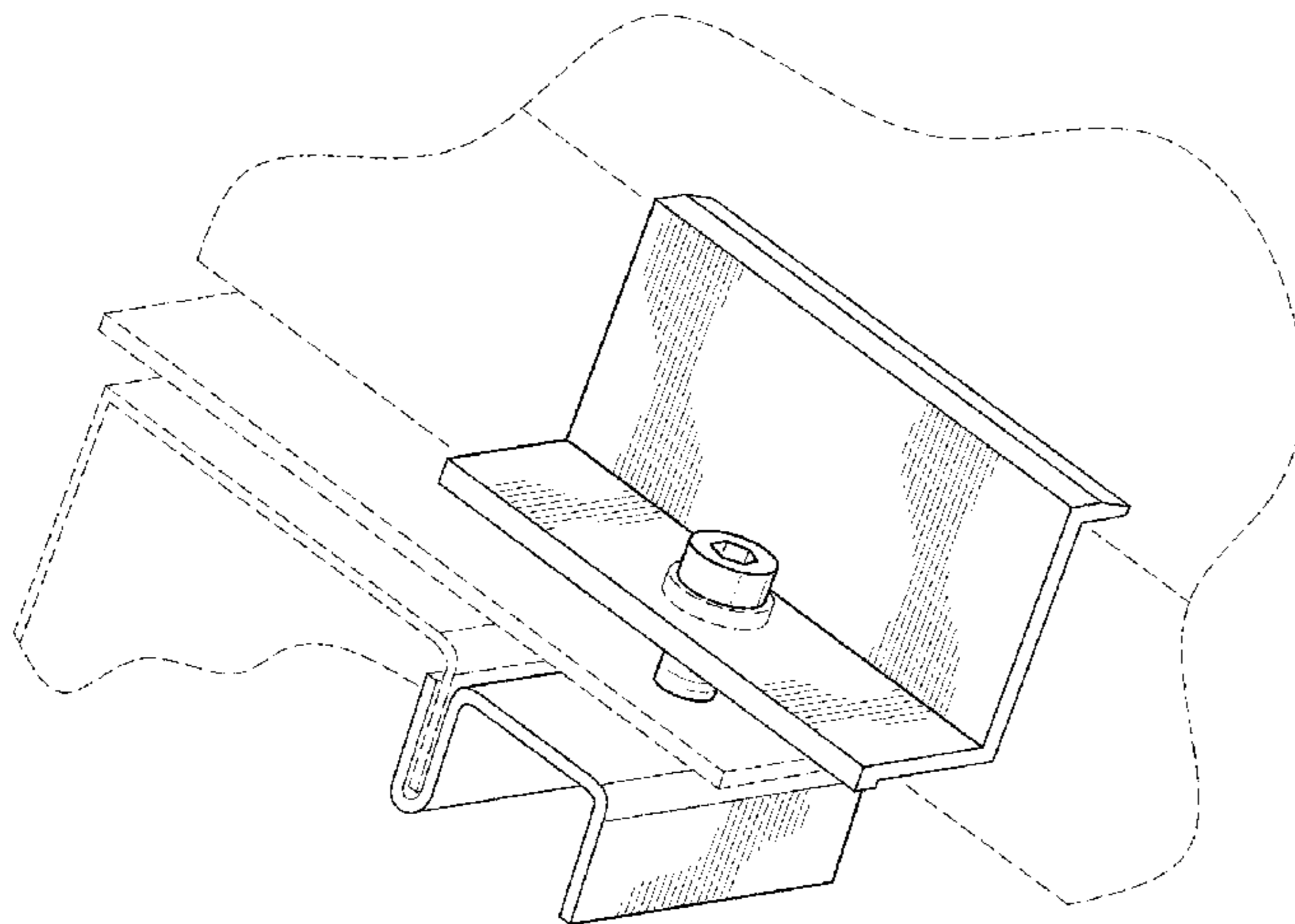


FIG. 1

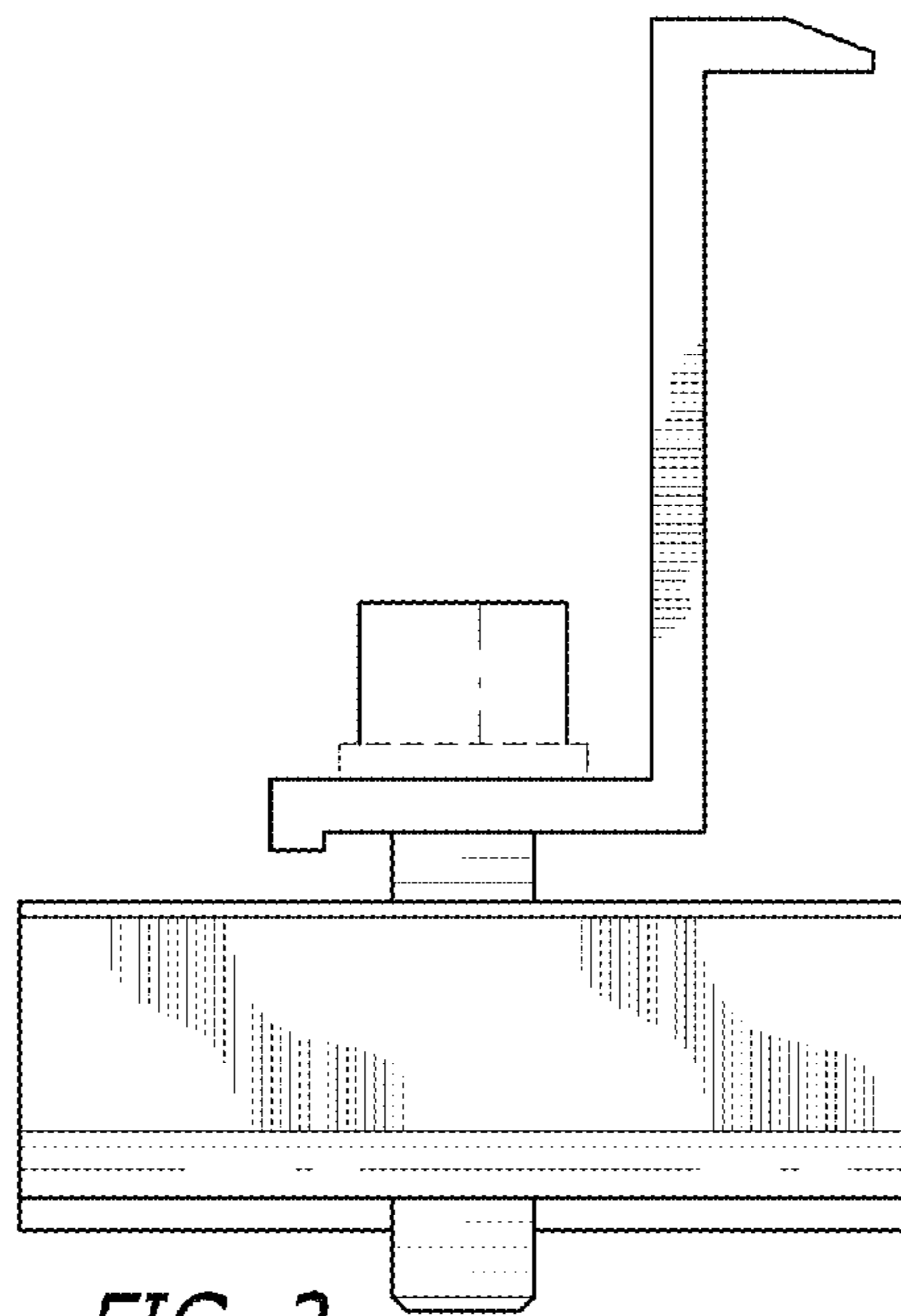
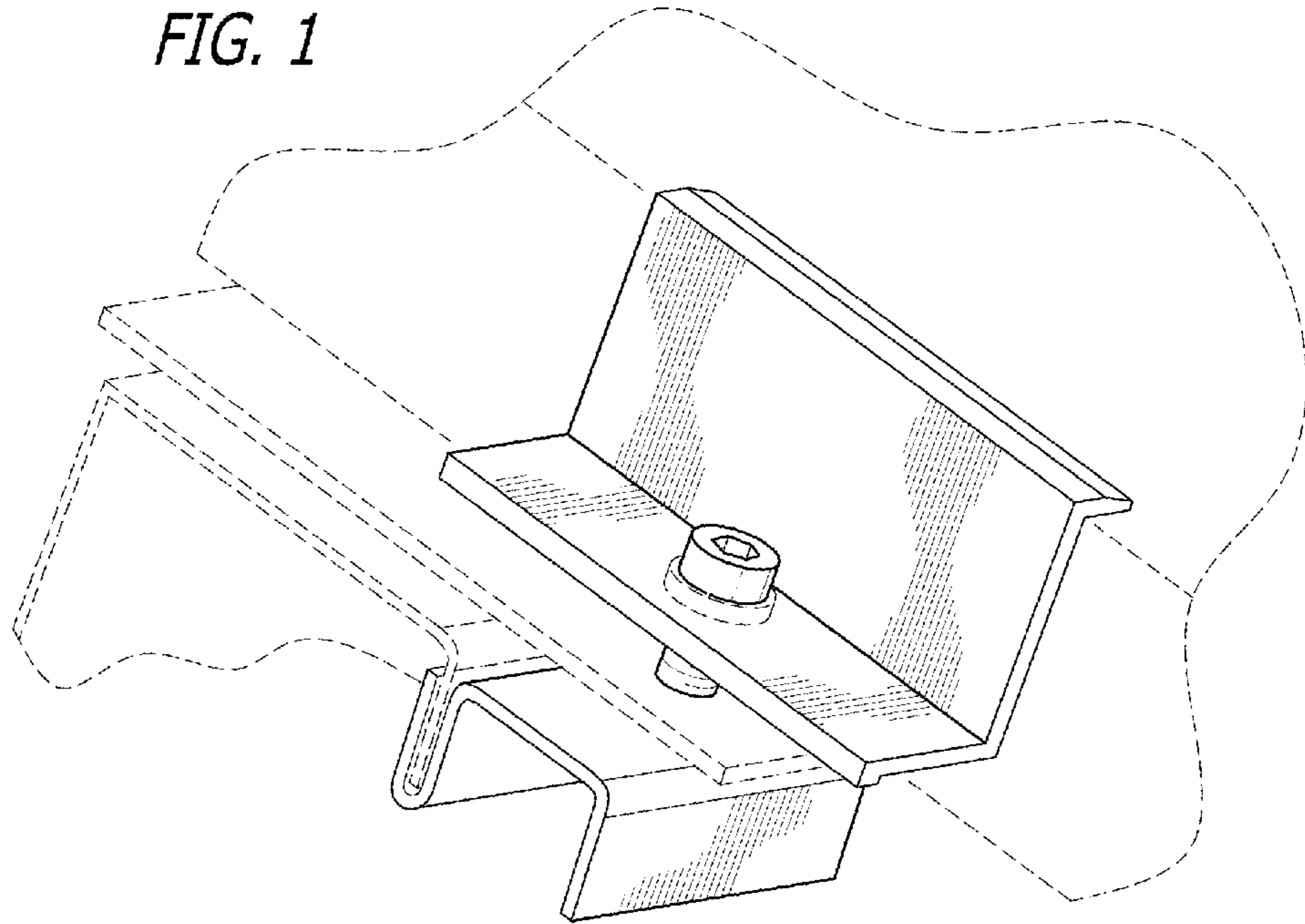


FIG. 2

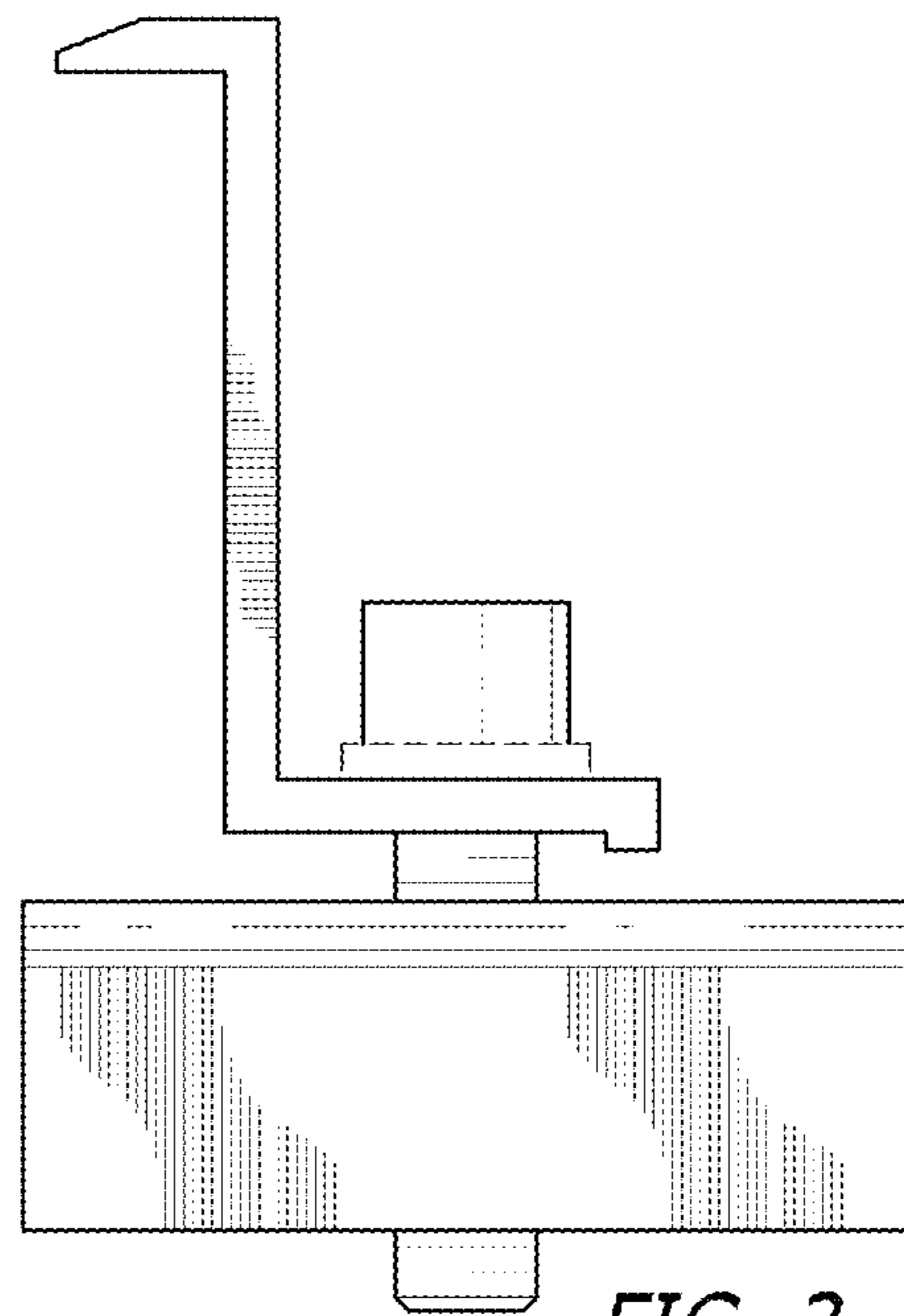


FIG. 3

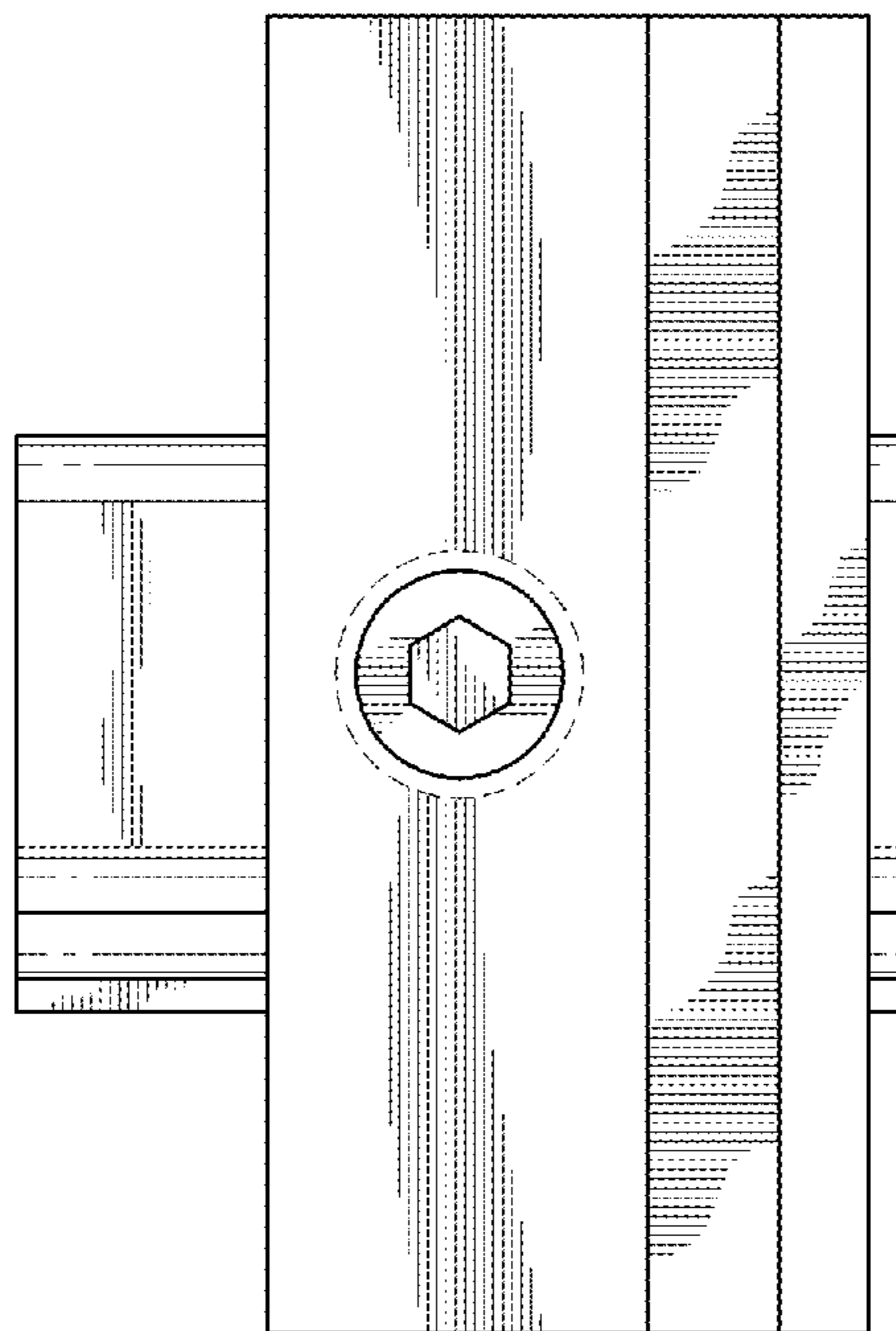


FIG. 4

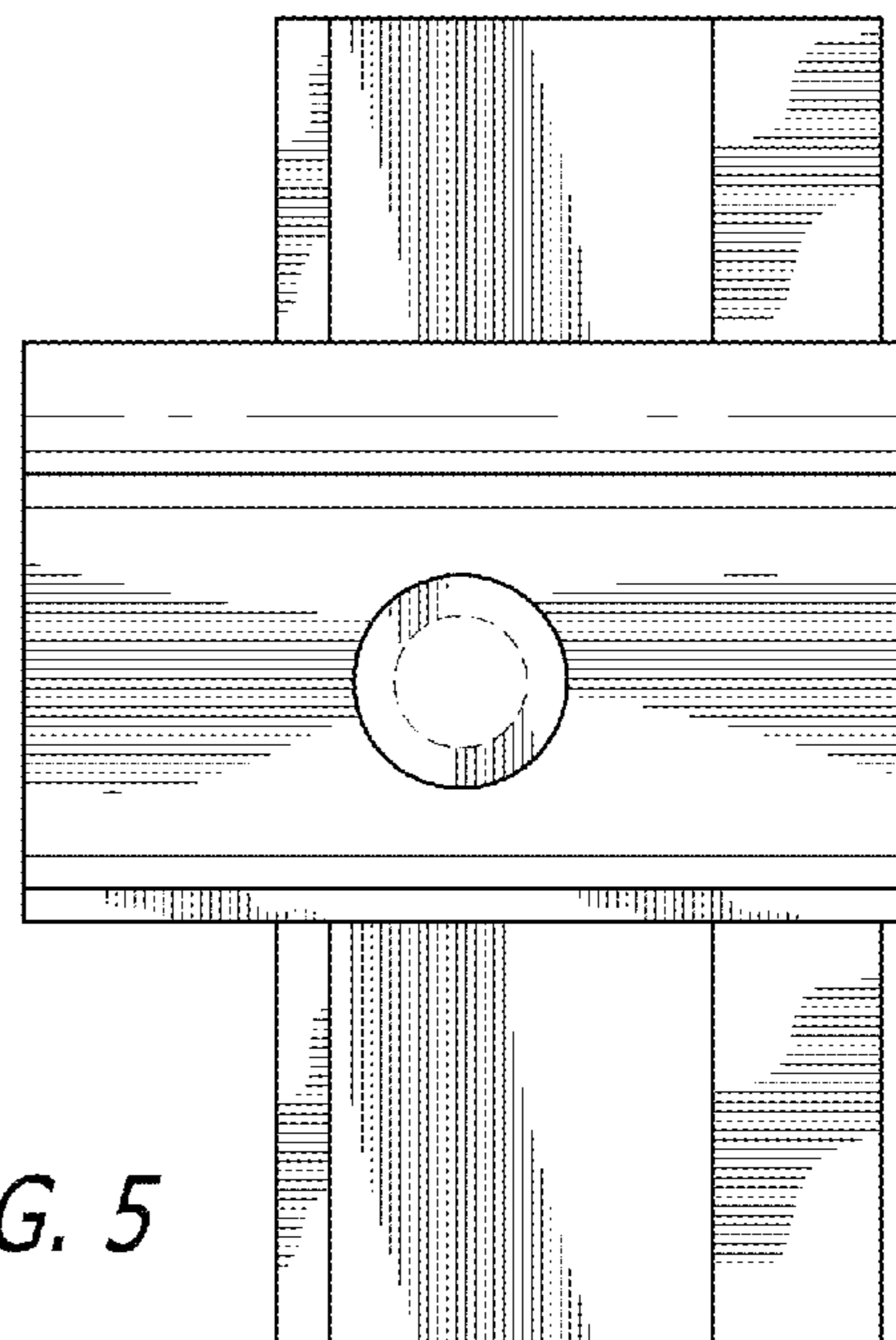


FIG. 5

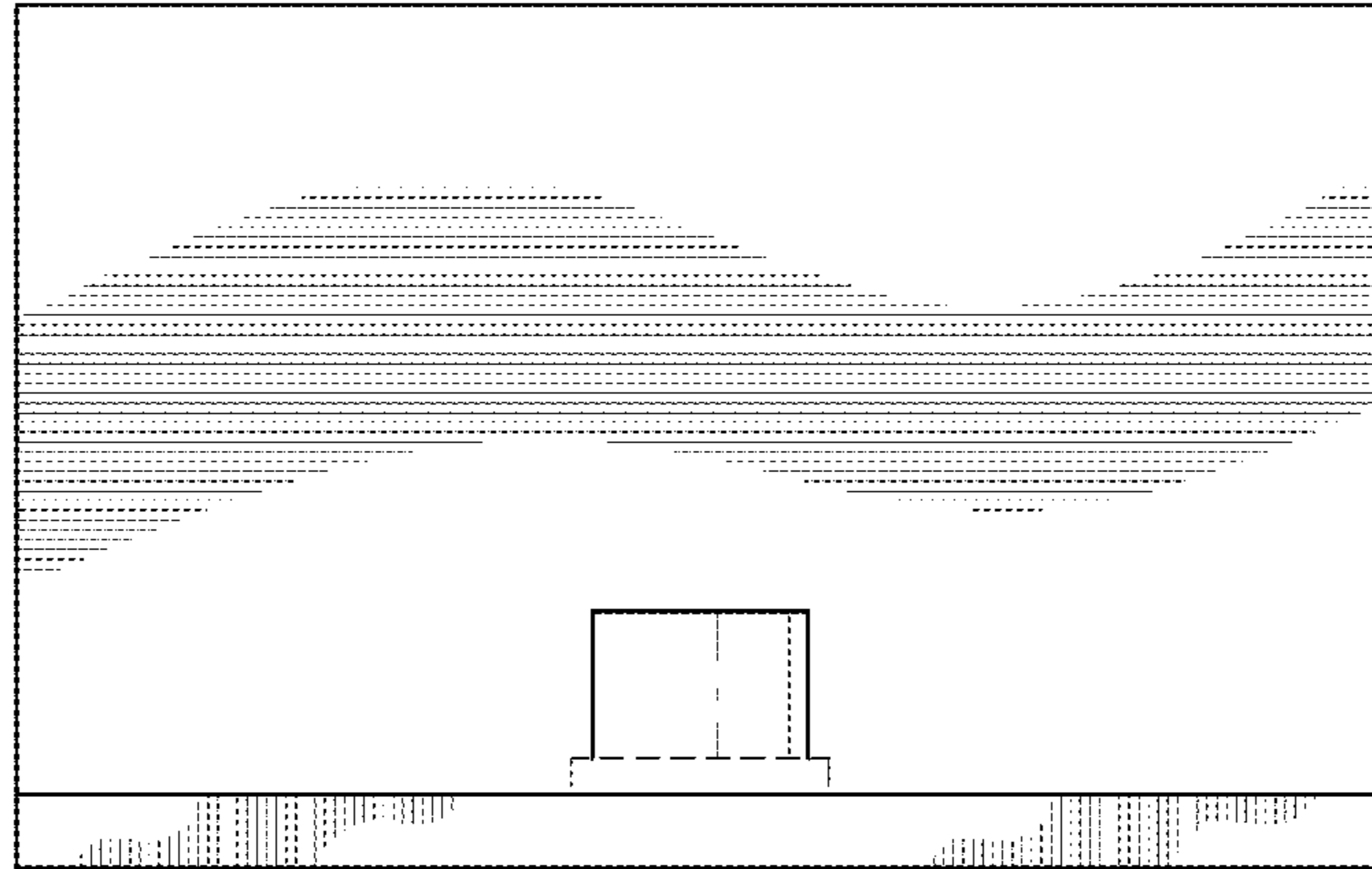


FIG. 6

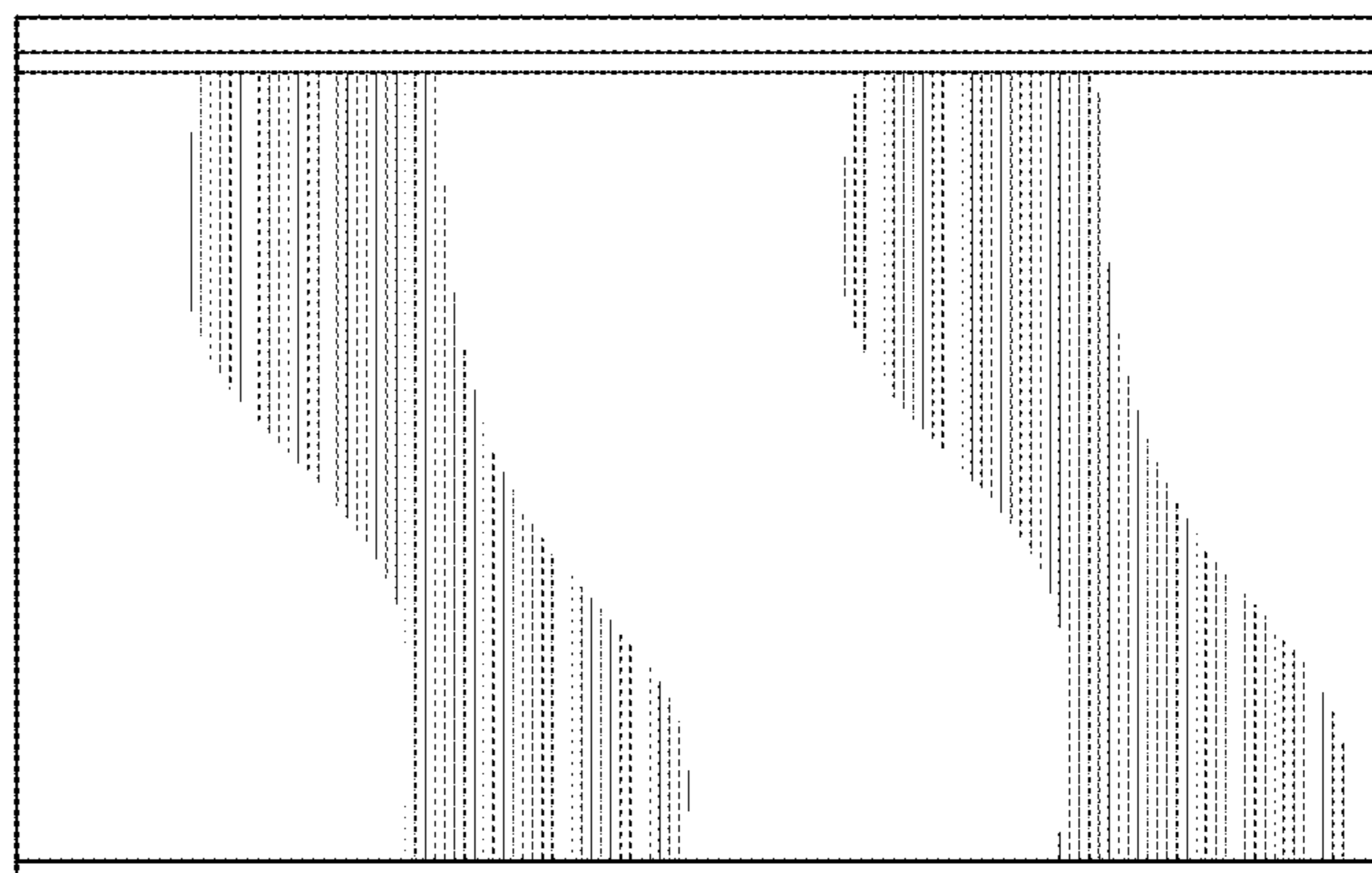
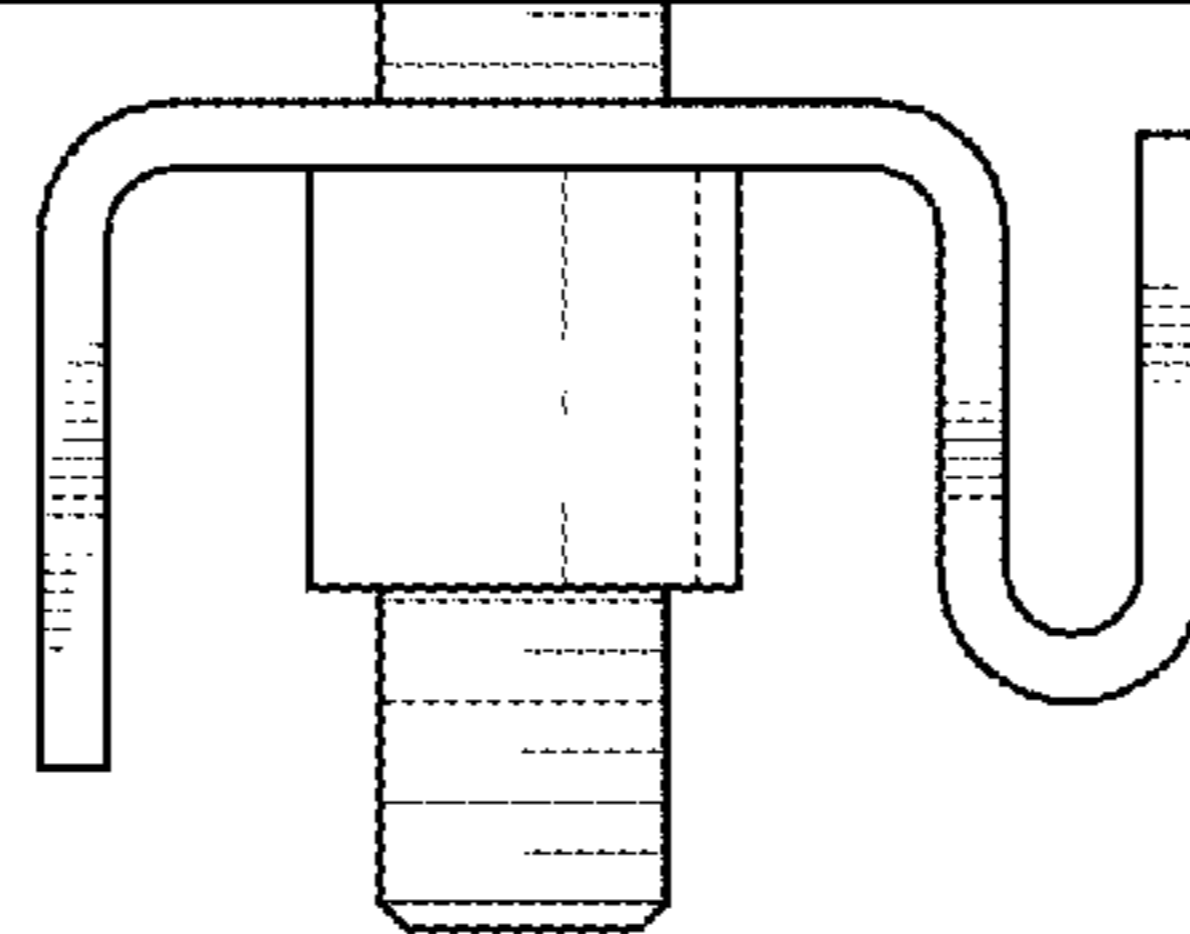


FIG. 7

