

US00D670158S

(12) **United States Design Patent**
Beuselinck

(10) **Patent No.:** **US D670,158 S**

(45) **Date of Patent:** **** Nov. 6, 2012**

(54) **MOUNTABLE TRACK**

(76) Inventor: **Steven Kenneth Beuselinck**, Rancho Santa Margarita, CA (US)

(**) Term: **14 Years**

(21) Appl. No.: **29/414,895**

(22) Filed: **Mar. 5, 2012**

(51) **LOC (9) Cl.** **08-05**

(52) **U.S. Cl.** **D8/373**

(58) **Field of Classification Search** 24/592.11, 24/599.1, 588.1, 601.5, 601, 599.9, 598.1, 24/599.6, 452, 129 R, 600.9, 16 R; D8/356, D8/354, 349, 372, 367, 382, 395, 396, 373; 63/8, 7, 12, 15, 1.14; D12/317; D6/323; 248/301, 302, 303, 304, 175, 63, 67.5, 74.4, 248/68.1, 65, 49; 402/35; 114/218, 114; 294/137, 158, 82.19; 410/101; 182/3; D11/210; D3/207; 446/124; 273/153 R; 439/257; 174/40 R, 64, 72 A

See application file for complete search history.

(56) **References Cited**

U.S. PATENT DOCUMENTS

D491,050	S	*	6/2004	Sprinkle	D8/373
D543,834	S	*	6/2007	Worthy	D8/354
D599,193	S	*	9/2009	Meyer et al.	D8/354
D599,194	S	*	9/2009	Meyer et al.	D8/354
D608,183	S	*	1/2010	Meyer et al.	D8/354
D649,863	S	*	12/2011	Meyer	D8/354
D653,524	S	*	2/2012	Meyer	D8/354
D659,513	S	*	5/2012	Lin	D8/349

* cited by examiner

Primary Examiner — Cynthia Underwood

(74) *Attorney, Agent, or Firm* — Lewis Kohn & Fitzwilliam LLP; David M. Kohn

(57) **CLAIM**

The ornamental design for a mountable track, as described.

DESCRIPTION

FIG. 1 is a perspective view of the mountable track of the present invention;
FIG. 2 is a side view of the mountable track;
FIG. 3 is a front view of the mountable track;
FIG. 4 is an enlarged side view of the mountable track;
FIG. 5 is an alternate perspective view of the mountable track;
and,
FIG. 6 is an alternate perspective view of the mountable track.

1 Claim, 3 Drawing Sheets

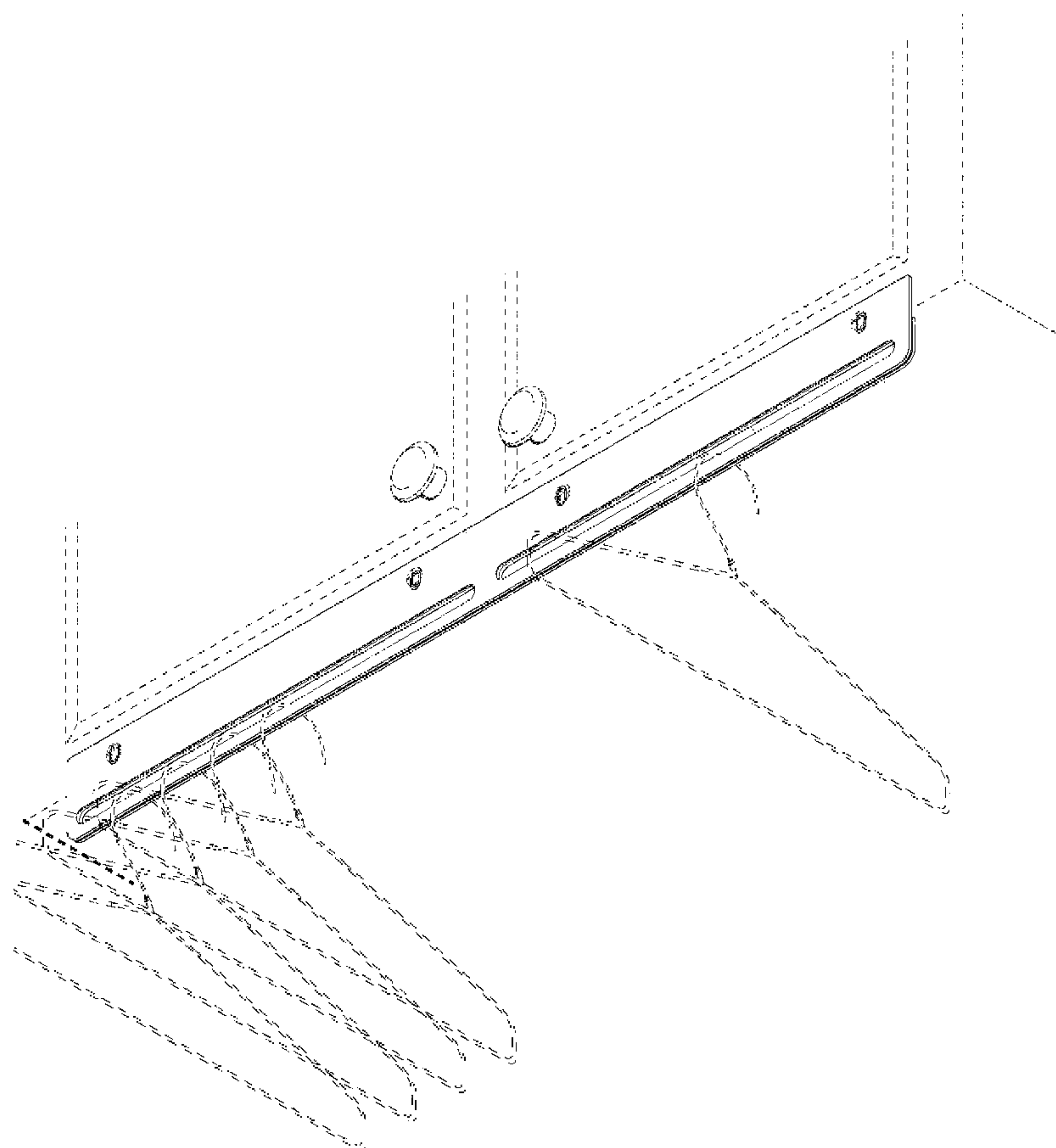
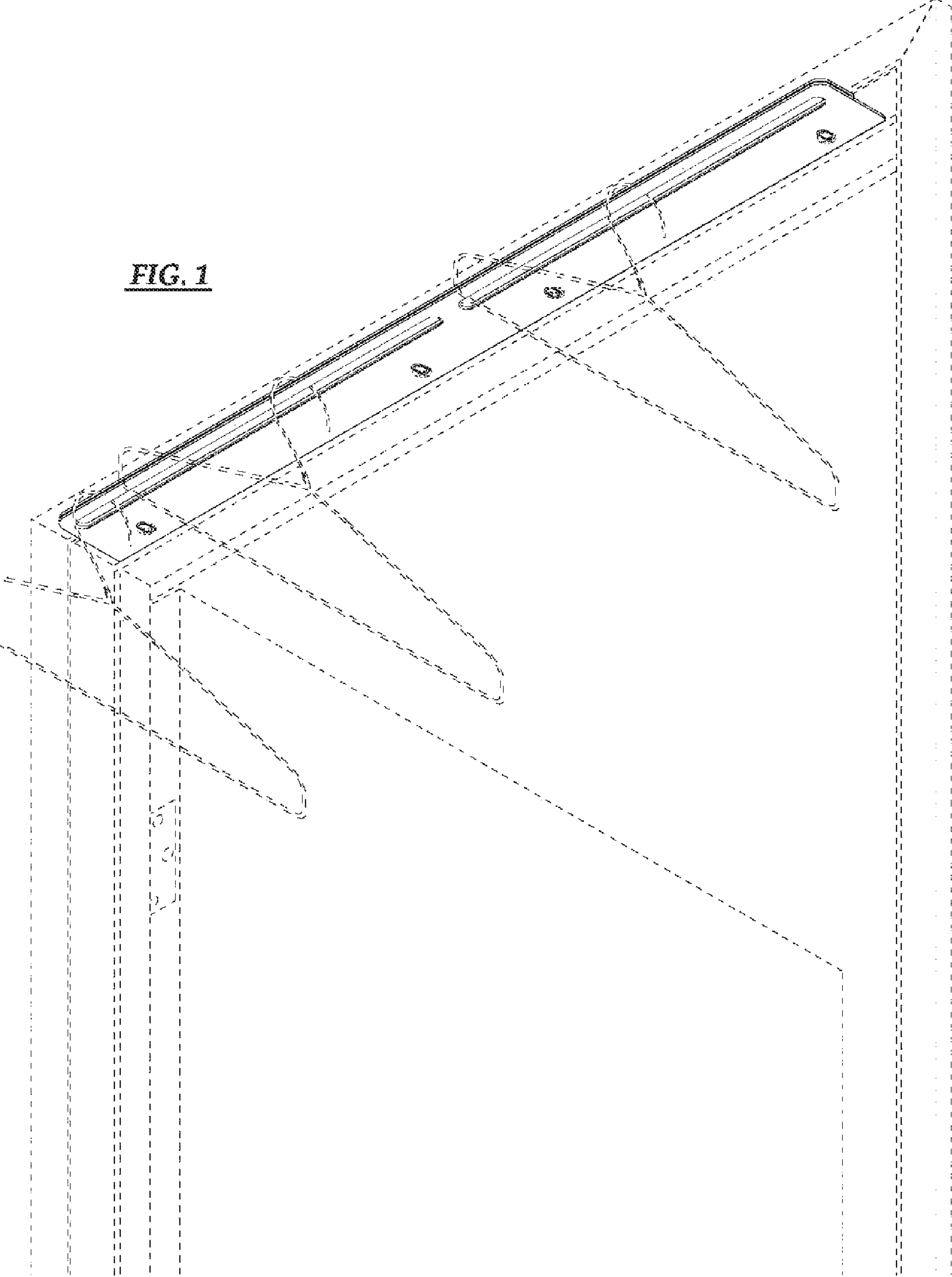


FIG. 1



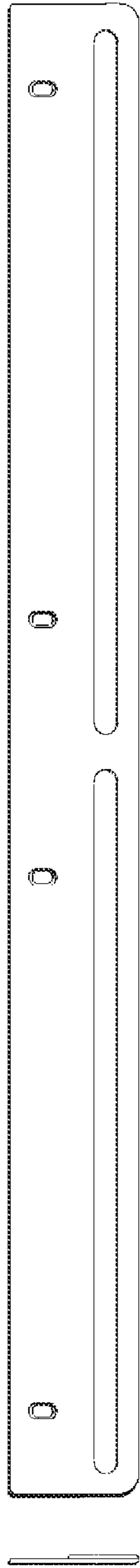


FIG. 2

FIG. 3

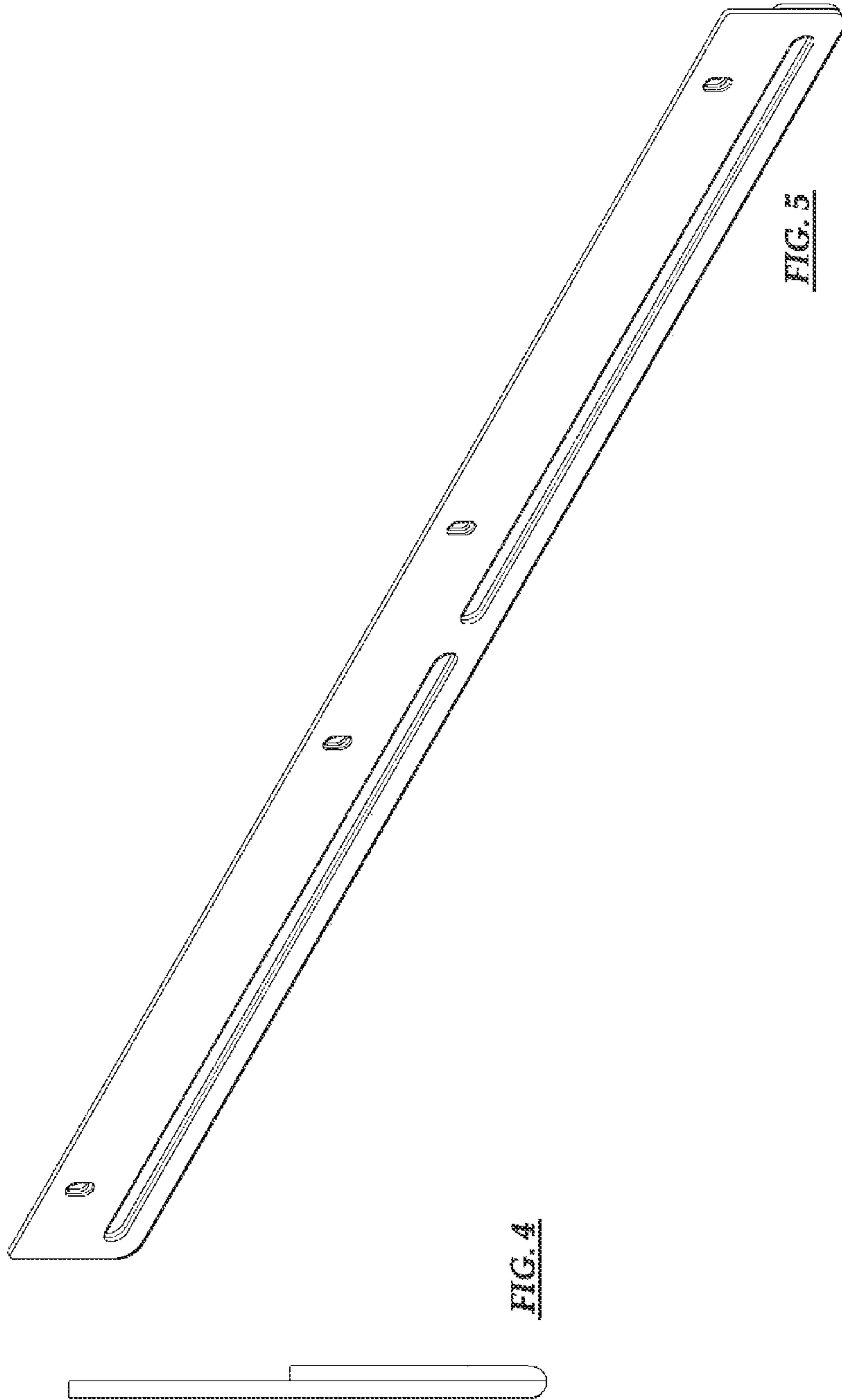


FIG. 4

FIG. 5

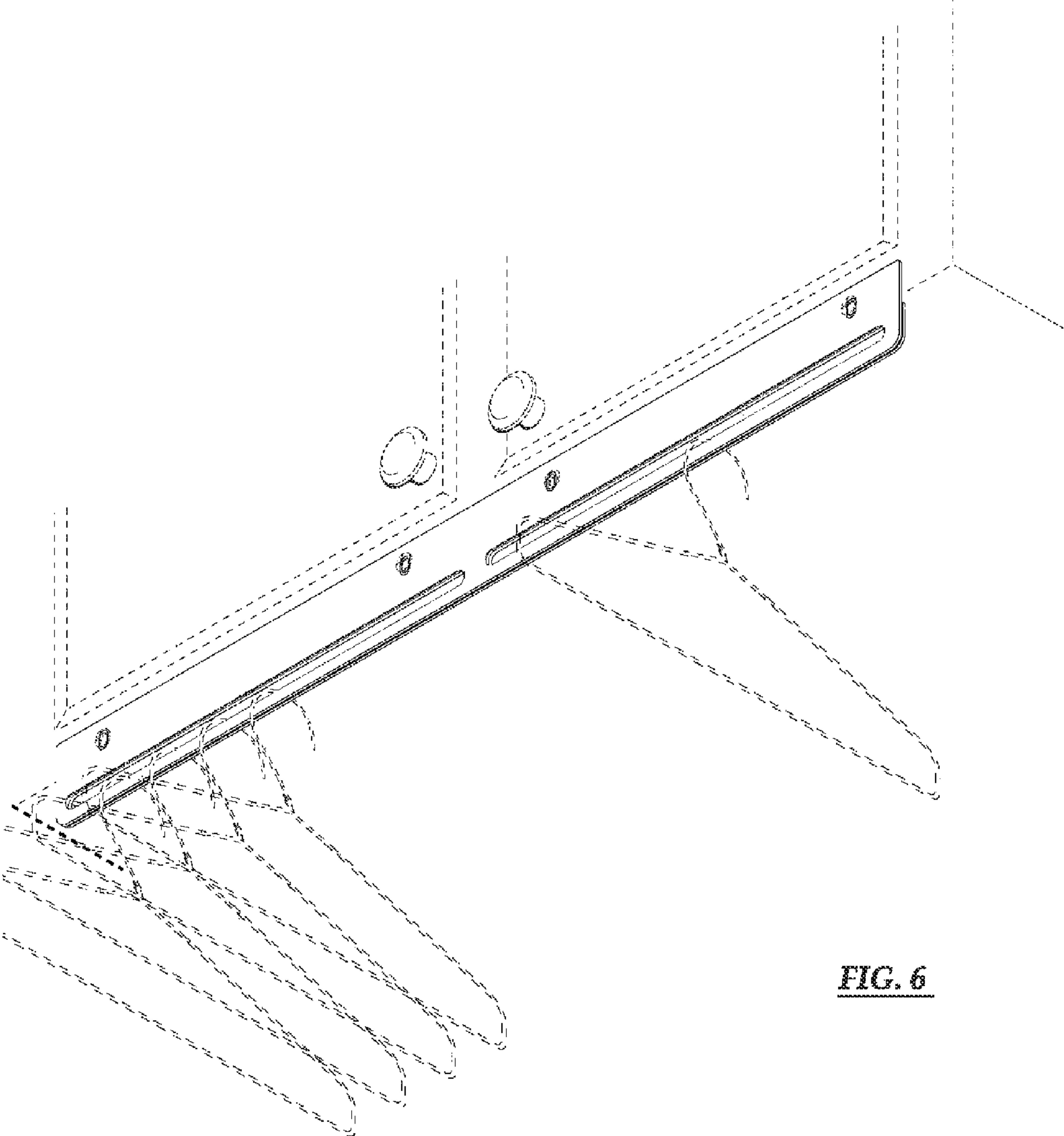


FIG. 6