



US00D670156S

(12) **United States Design Patent**
Crooks et al.

(10) **Patent No.:** **US D670,156 S**

(45) **Date of Patent:** **** Nov. 6, 2012**

(54) **SPOOL**

(75) Inventors: **Richard C. Crooks**, Apollo, PA (US);
Garrett S. Lyons, Greensburg, PA (US);
Michael McGrath, Connellsville, PA
(US)

(73) Assignee: **DNP IMS America Corporation**,
Mount Pleasant, PA (US)

(**) Term: **14 Years**

(21) Appl. No.: **29/400,541**

(22) Filed: **Aug. 30, 2011**

(51) **LOC (9) Cl.** **08-05**

(52) **U.S. Cl.** **D8/358**

(58) **Field of Classification Search** D8/358;
D3/24; D9/419, 434; D15/78; D22/137;
242/399

See application file for complete search history.

(56) **References Cited**

U.S. PATENT DOCUMENTS

D558,048 S * 12/2007 Perkitny D9/434
D623,927 S * 9/2010 Gu et al. D8/358

D625,172 S * 10/2010 Pauwels D8/358
D655,369 S * 3/2012 Hafner D22/137
D663,192 S * 7/2012 Sen et al. D8/358

* cited by examiner

Primary Examiner — Susan Bennett Hattan

Assistant Examiner — Barbara B Lohr

(74) *Attorney, Agent, or Firm* — Eckert Seamans Cherin &
Mellott, LLC; Brij K. Agarwal

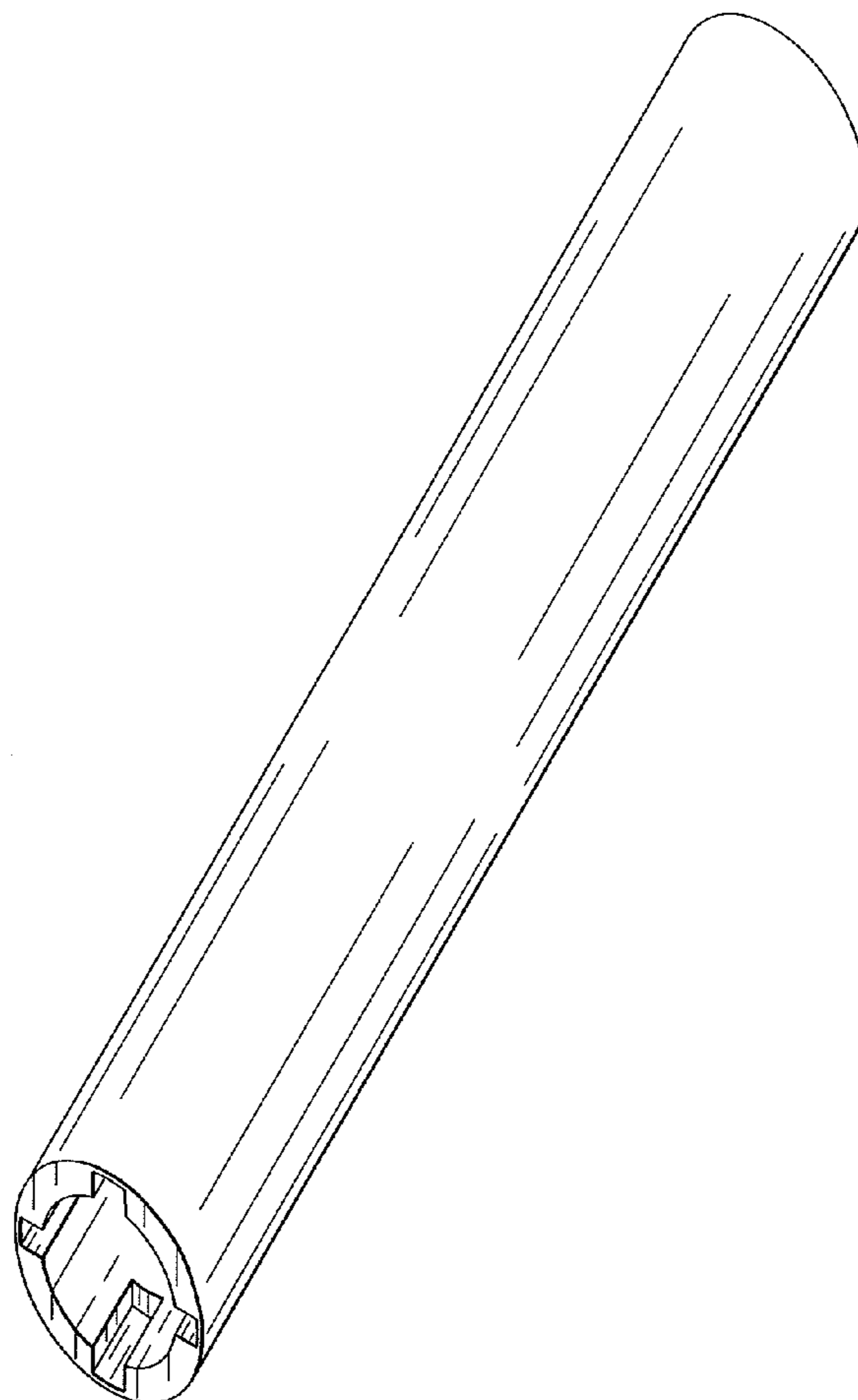
(57) **CLAIM**

The ornamental design for a spool, as shown and described.

DESCRIPTION

FIG. 1 is a first perspective view of the spool;
FIG. 2 is a second perspective view thereof;
FIG. 3 is a left side elevational view thereof;
FIG. 4 is a right side elevational view thereof;
FIG. 5 is a front elevational view thereof;
FIG. 6 is a rear elevational view thereof;
FIG. 7 is a top plan view thereof; and,
FIG. 8 is a bottom plan view thereof.

1 Claim, 4 Drawing Sheets



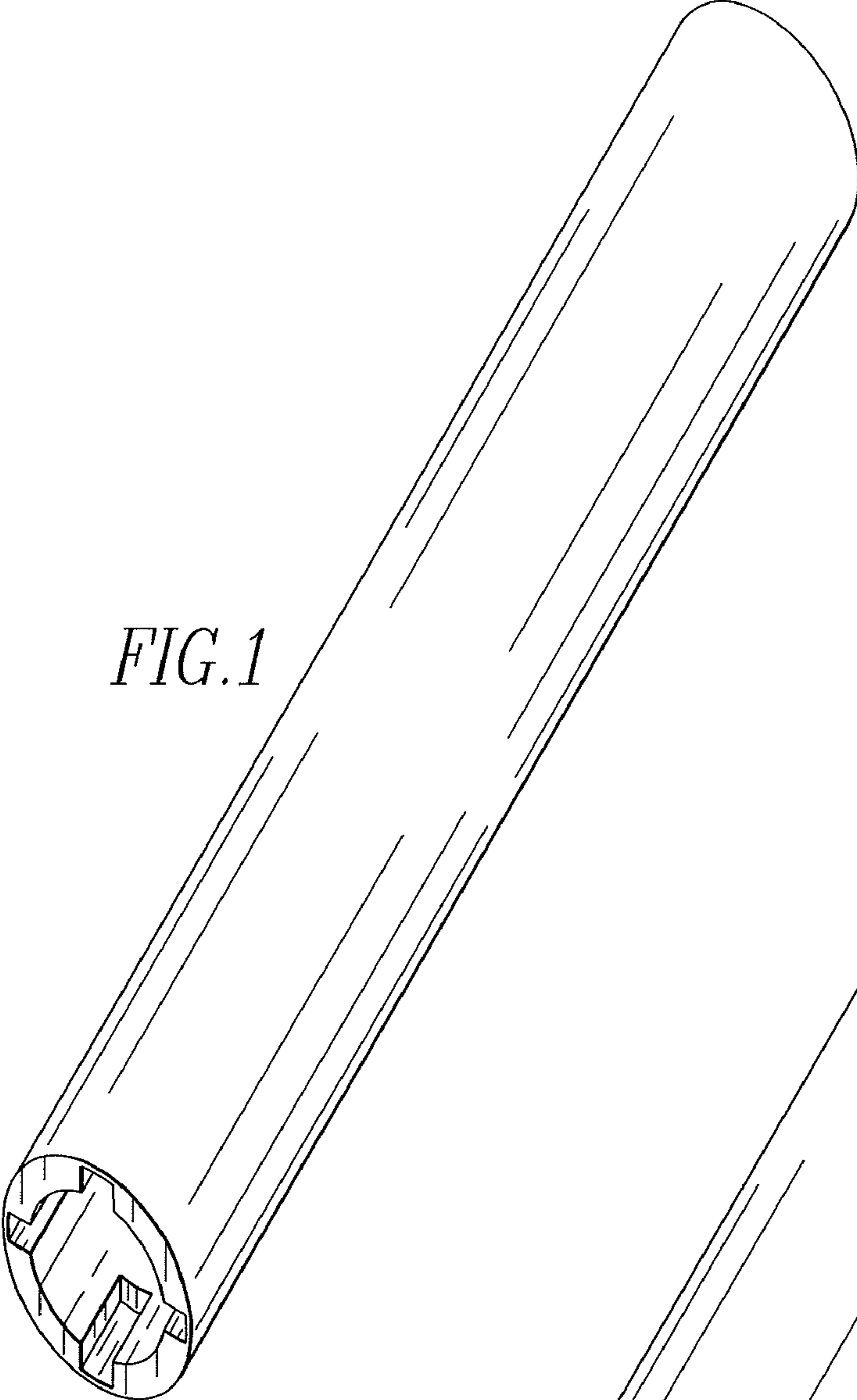


FIG. 1

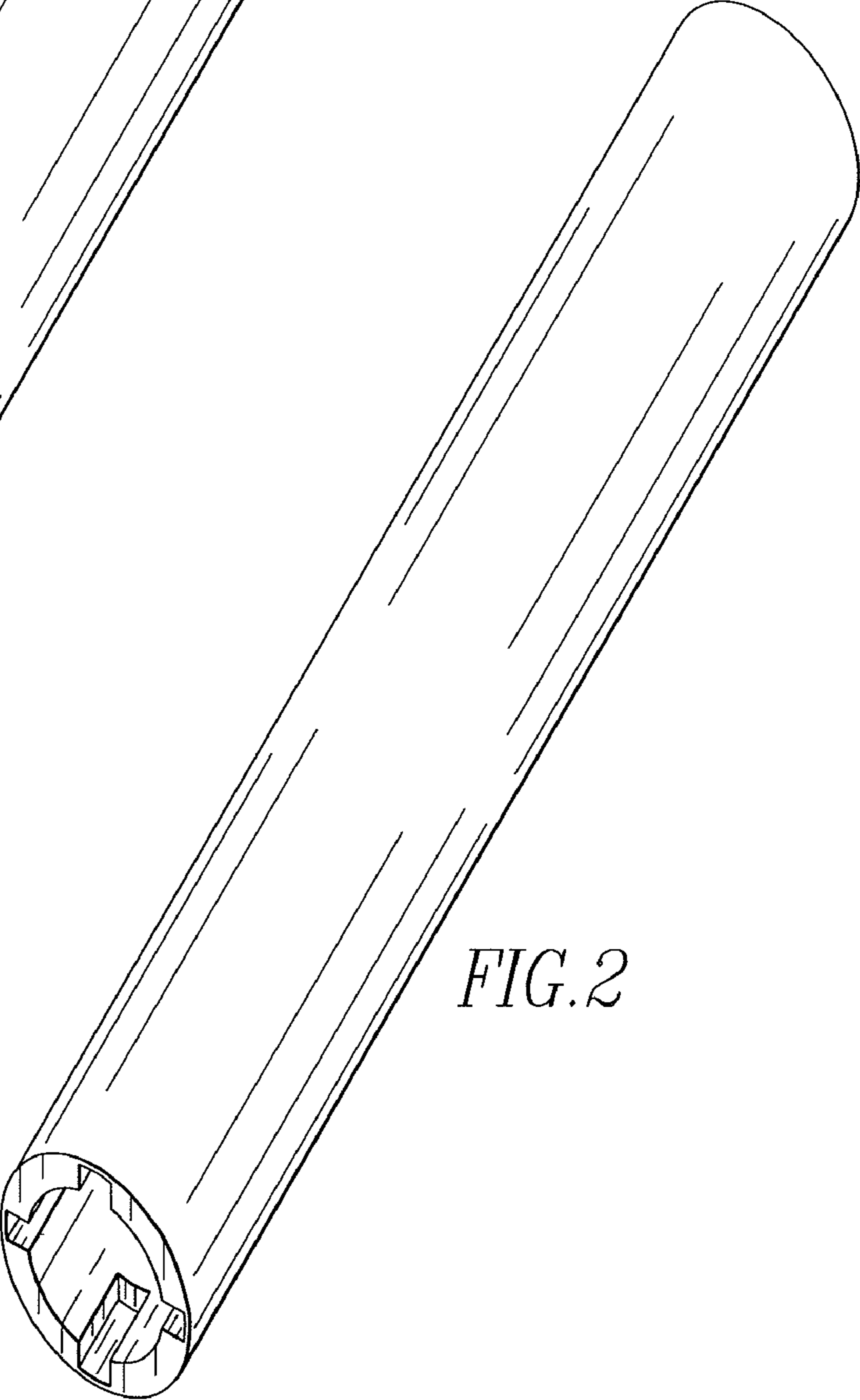


FIG. 2

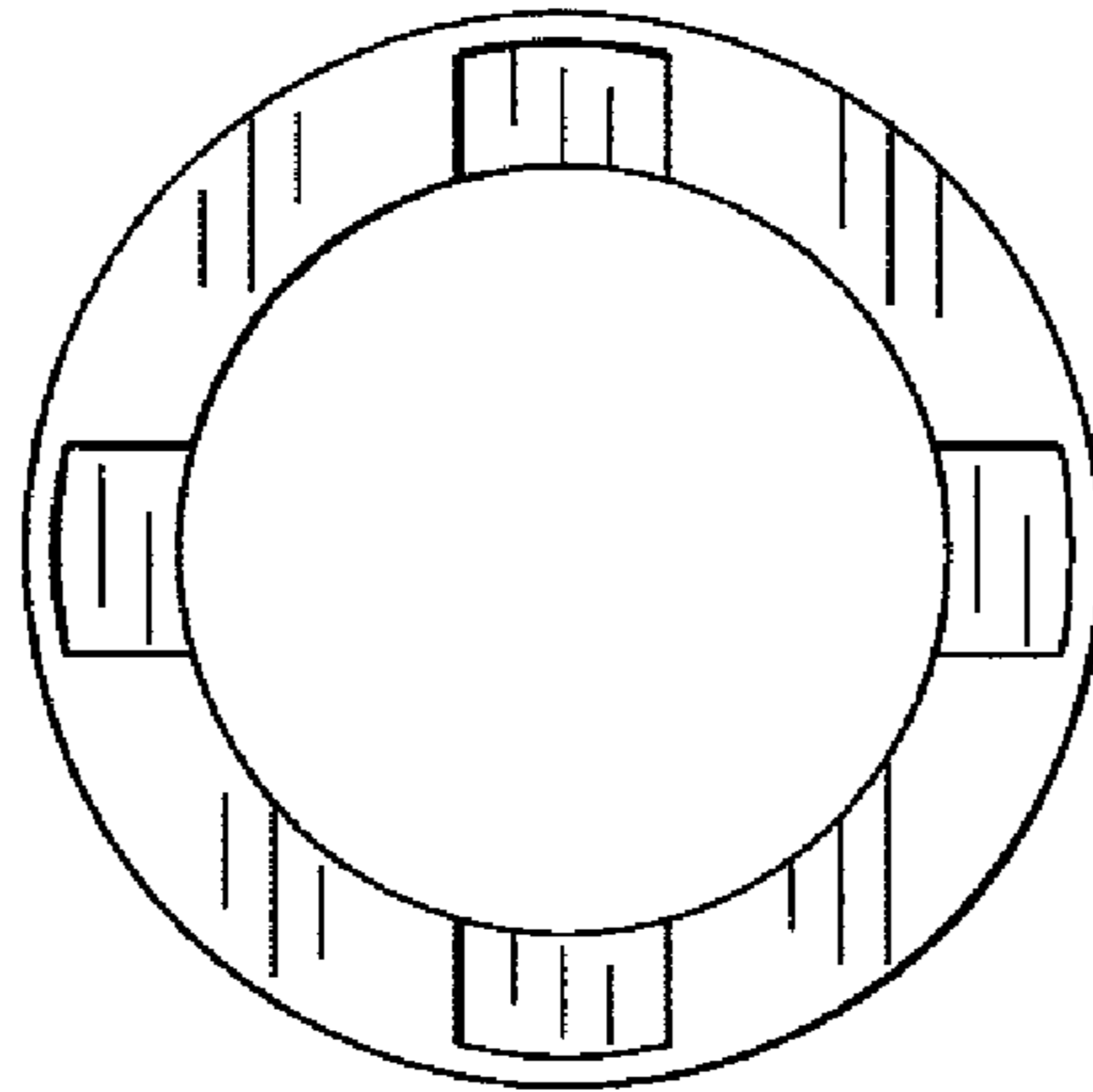


FIG. 3

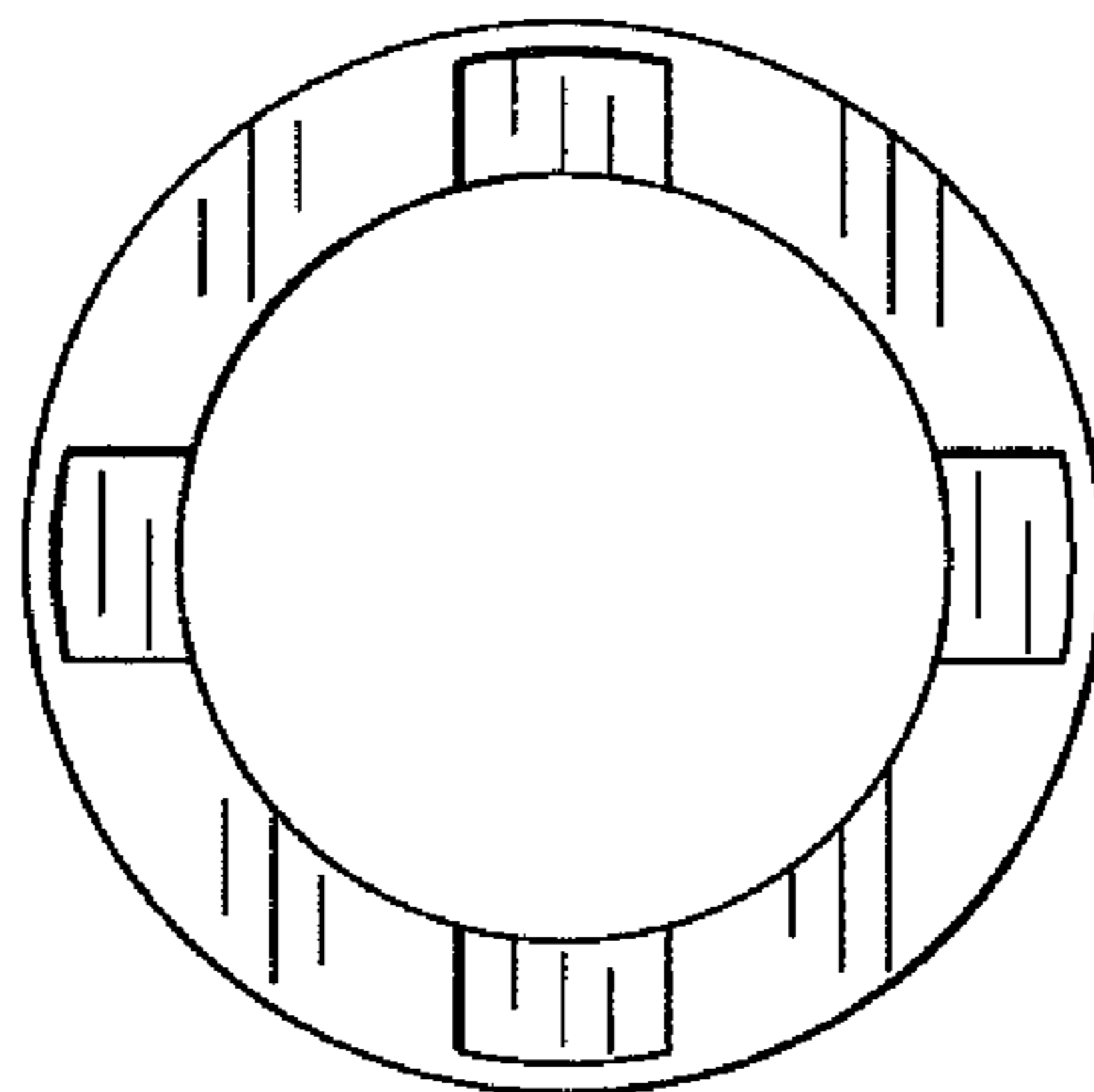


FIG. 4

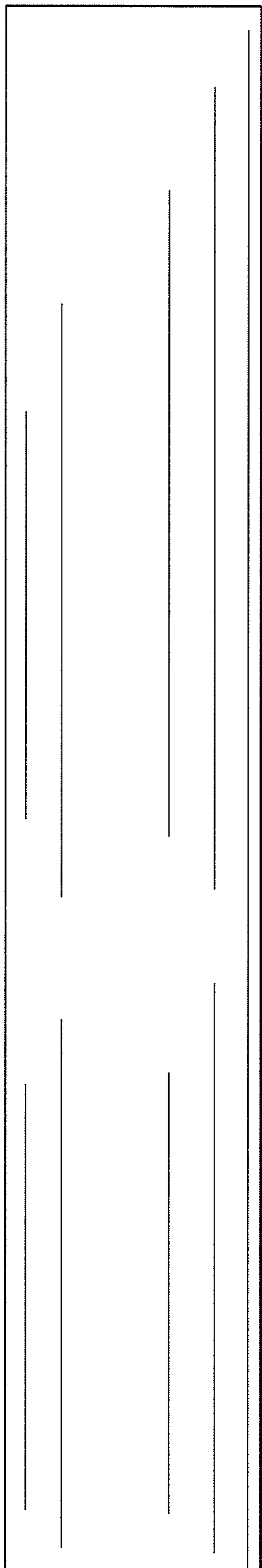


FIG. 5

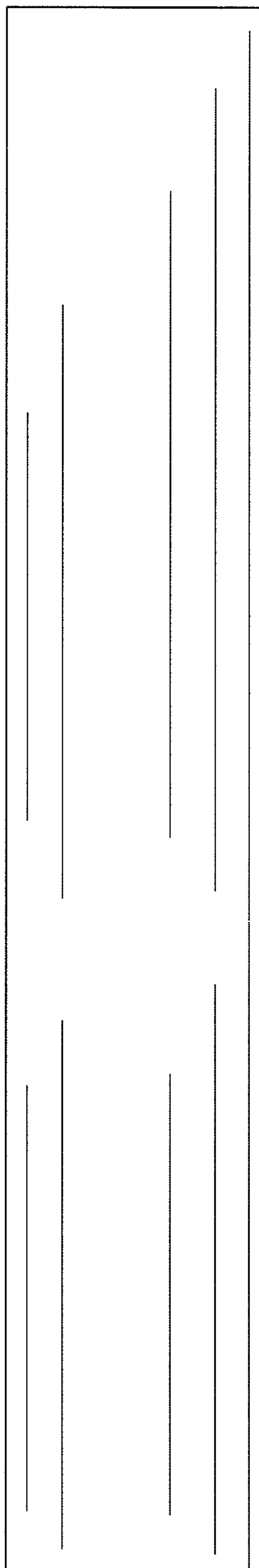


FIG. 6

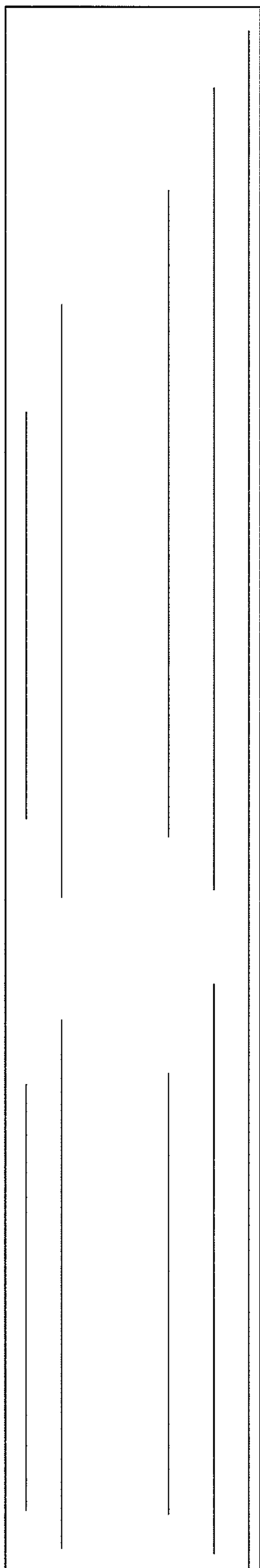


FIG. 7

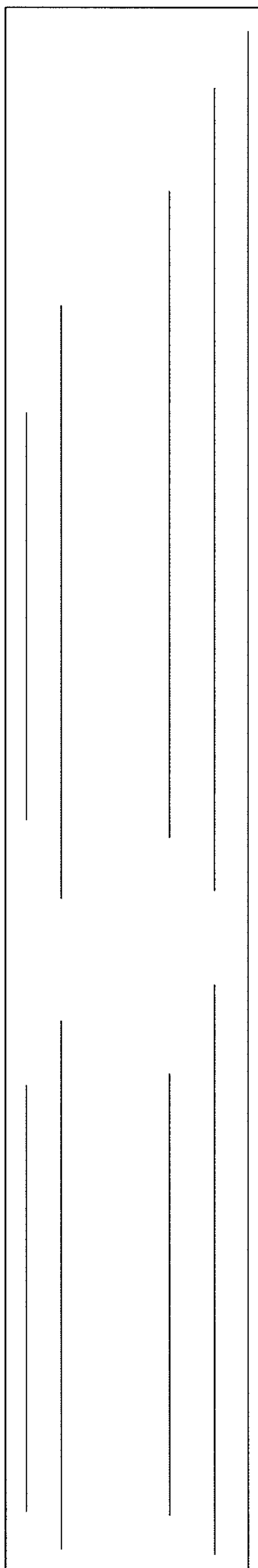


FIG. 8