



US00D670155S

(12) **United States Design Patent**
Krohmer et al.

(10) **Patent No.:** **US D670,155 S**

(45) **Date of Patent:** **** Nov. 6, 2012**

(54) **STRAP RETAINER**

(75) Inventors: **Steve Donald Krohmer**, Coon Rapids, MN (US); **Daniel L. Wenning**, Minneapolis, MN (US)

(73) Assignee: **Rockler Companies, Inc.**, Medina, MN (US)

(**) Term: **14 Years**

(21) Appl. No.: **29/415,647**

(22) Filed: **Mar. 13, 2012**

(51) **LOC (9) Cl.** **08-05**

(52) **U.S. Cl.** **D8/356**

(58) **Field of Classification Search** D8/367, D8/356, 371, 373, 354, 355, 349, 360, 358; D14/432, 140, 217; D6/323; D3/24; 248/215, 248/301, 339, 349.1; 160/349.2; 24/265 H, 24/265 R, 599.1, 599.8, 113 R, 573.5; 294/82.18; 29/525.1, 45.3; 223/106; 439/501; 320/111, 320/114; 191/12.4; 211/119.04, 119.05; 384/417; 254/391; 474/188
See application file for complete search history.

(56) **References Cited**

U.S. PATENT DOCUMENTS

616,176	A	*	12/1898	Zimmerman	242/388.3
D228,117	S	*	8/1973	Turner	D8/359
3,907,236	A	*	9/1975	Sims, Jr.	242/404.1
D243,654	S	*	3/1977	Burgoyne	D8/358
D372,188	S	*	7/1996	Van Dyke	D8/358
D395,593	S	*	6/1998	Okamoto	D8/358
D401,559	S	*	11/1998	Angell	D13/154
D428,327	S	*	7/2000	Stekelenburg	D8/359

D459,195	S	*	6/2002	Moutrey	D8/358
D569,711	S	*	5/2008	Young, IV	D8/358
D579,319	S	*	10/2008	Short	D8/354
D581,252	S	*	11/2008	Short	D8/354

OTHER PUBLICATIONS

<http://www.rockler.com/product.cfm?page=30717&filter=ratchet%20strap>; Rockler Woodworking and Hardware online catalog, Mar. 13, 2012.

* cited by examiner

Primary Examiner — Cynthia Underwood

(74) *Attorney, Agent, or Firm* — Altera Law Group, LLC

(57) **CLAIM**

The ornamental design for a strap retainer, as shown and described.

DESCRIPTION

FIG. 1 is a perspective view of the strap retainer with a cylindrical retainer element shown in broken lines for the purpose of illustrating environment and forming no part of the claim.

FIG. 2 is a front view thereof.

FIG. 3 is a back view thereof.

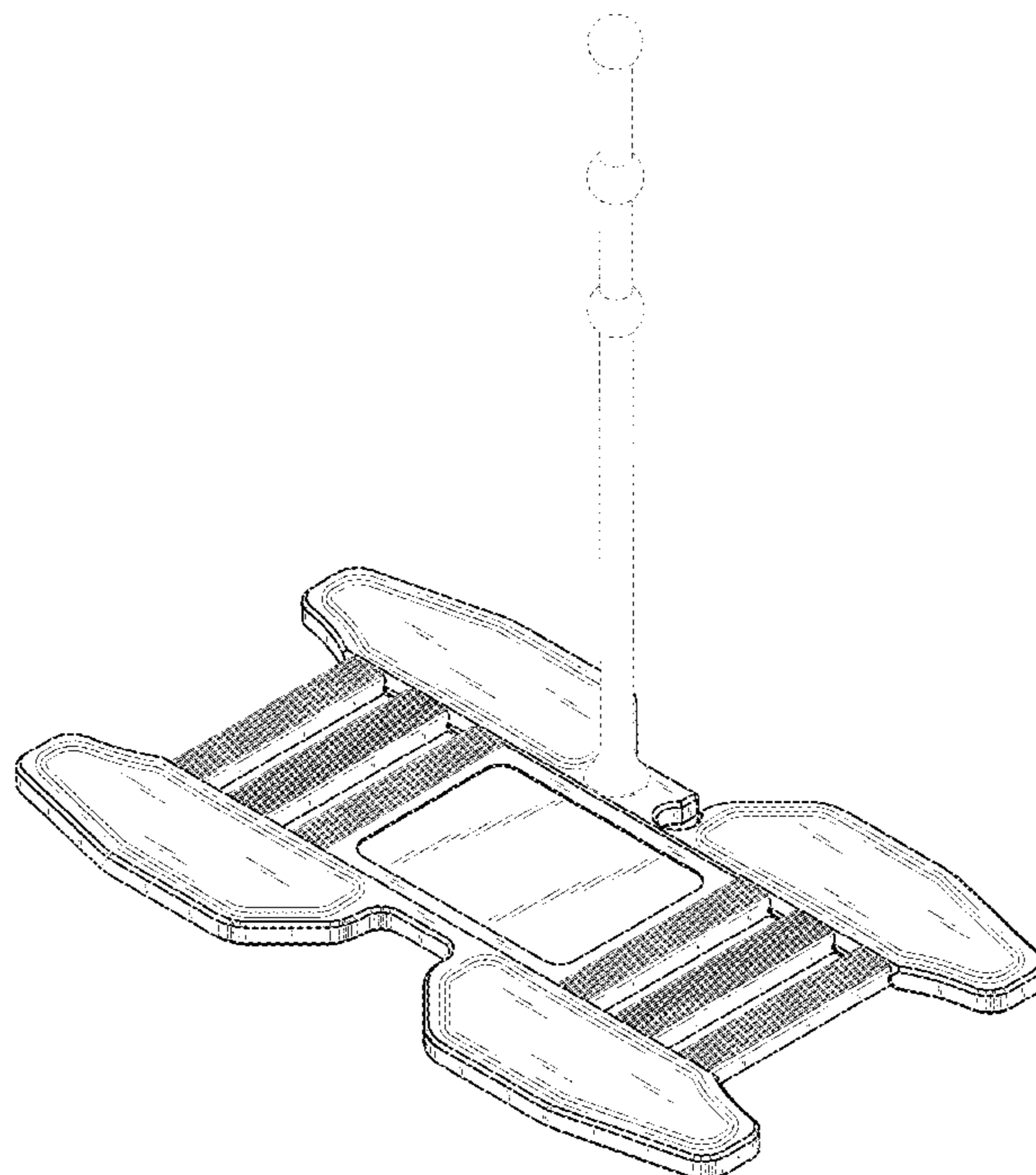
FIG. 4 is a top view thereof.

FIG. 5 is a bottom view thereof; and,

FIG. 6 is a side view thereof.

The broken line showing of *** is included for the purpose of illustrating *** and forms no part of the claimed design.

1 Claim, 5 Drawing Sheets



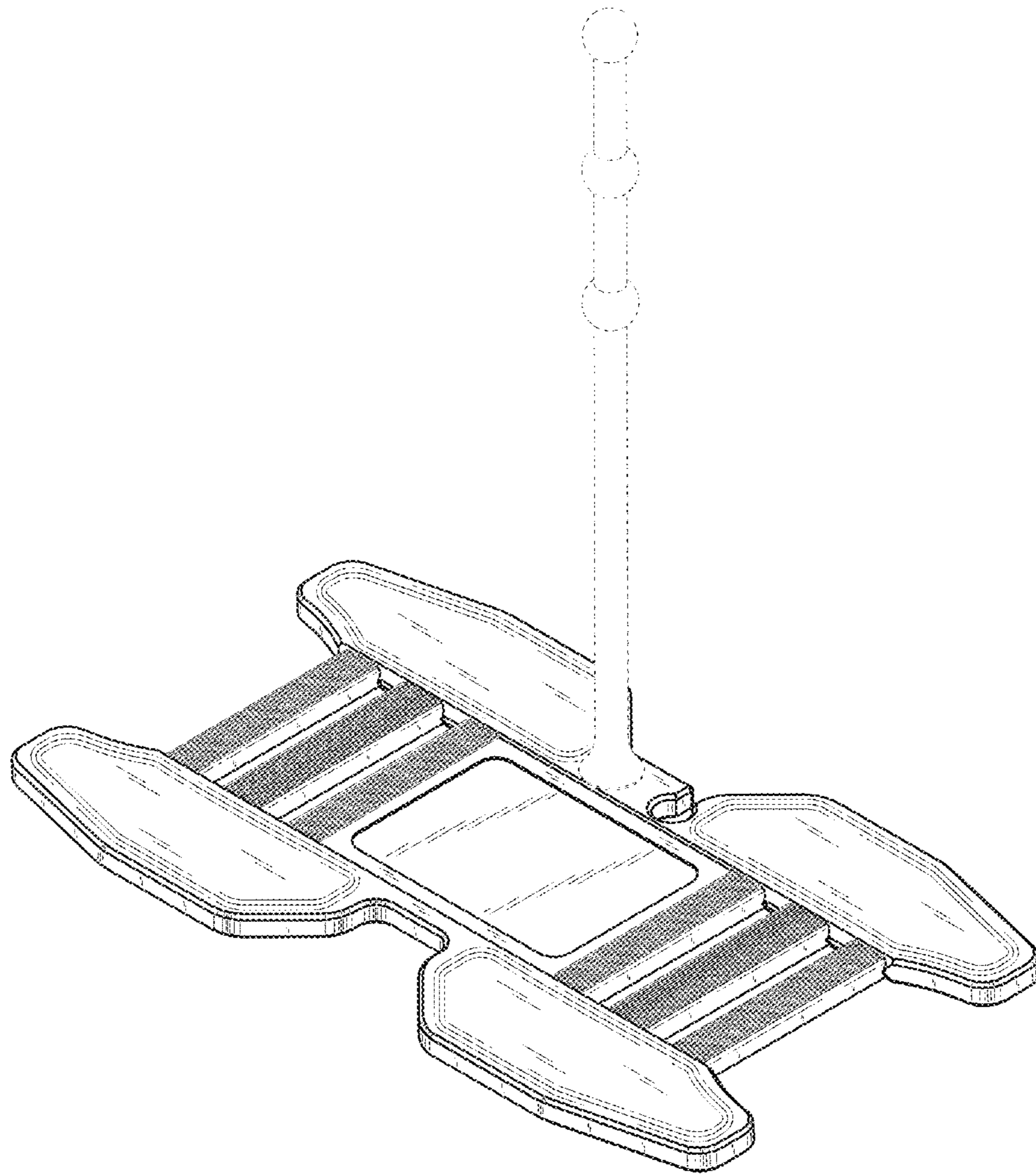


Fig. 1

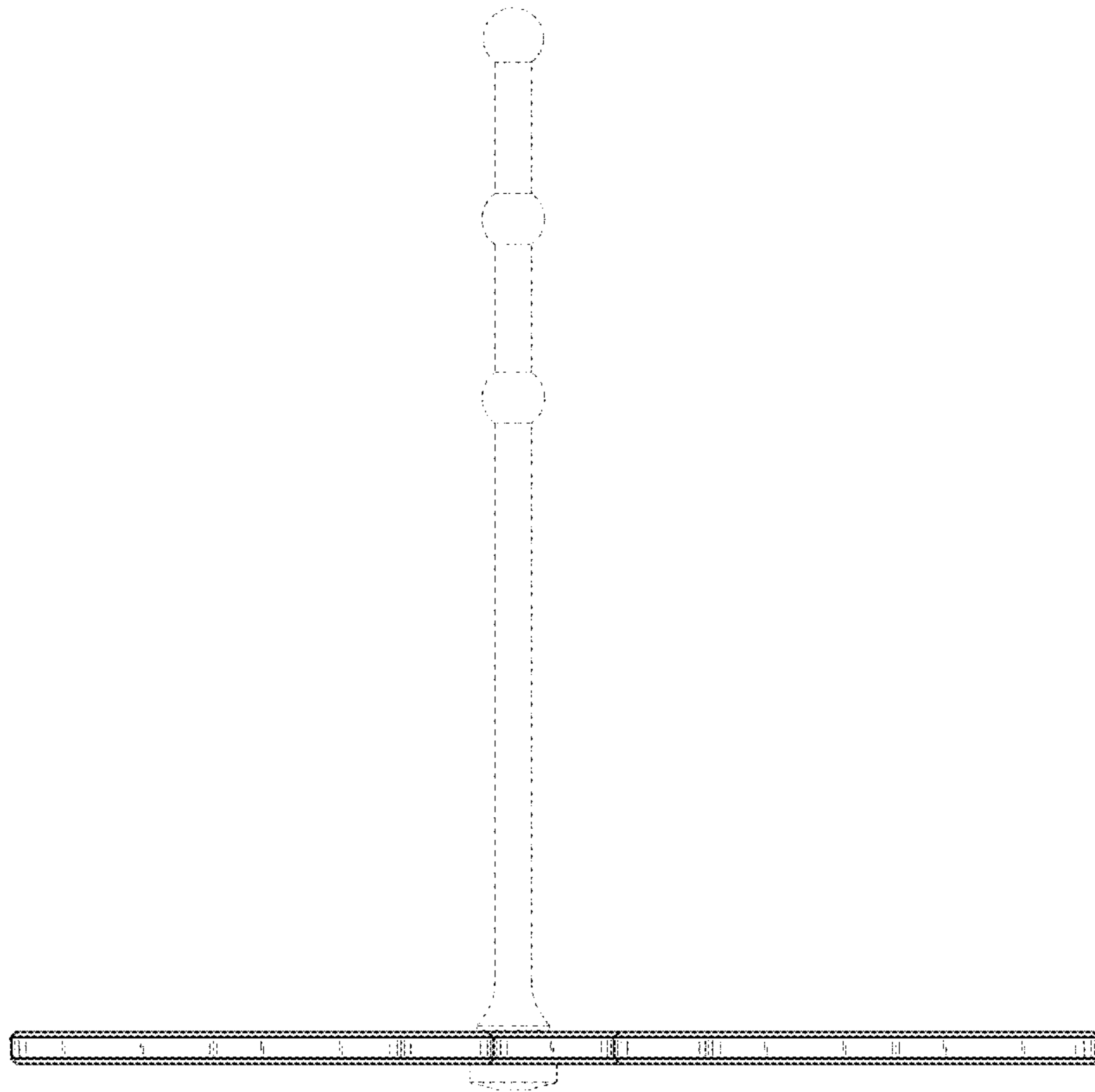


Fig. 2

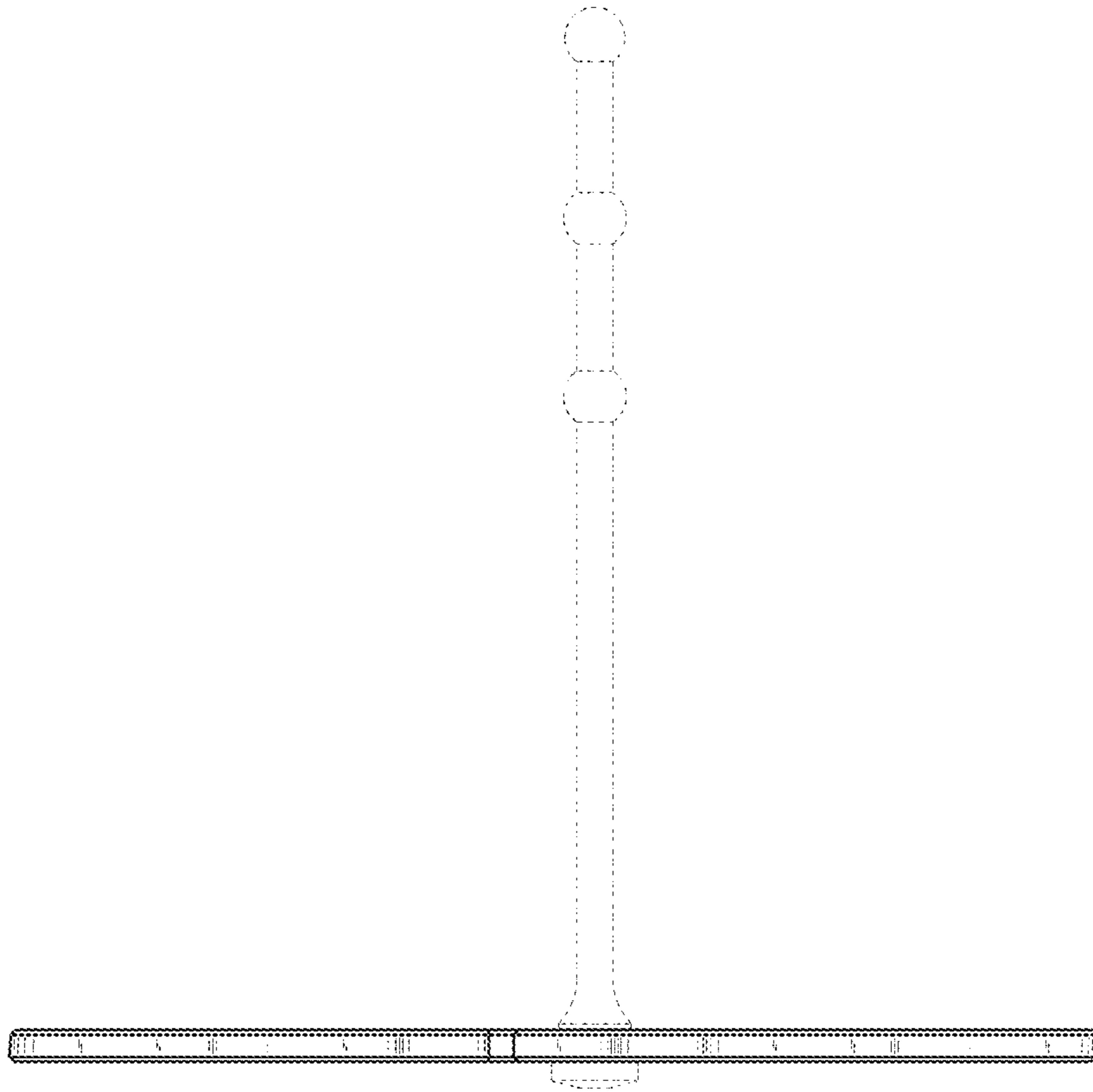


Fig. 3

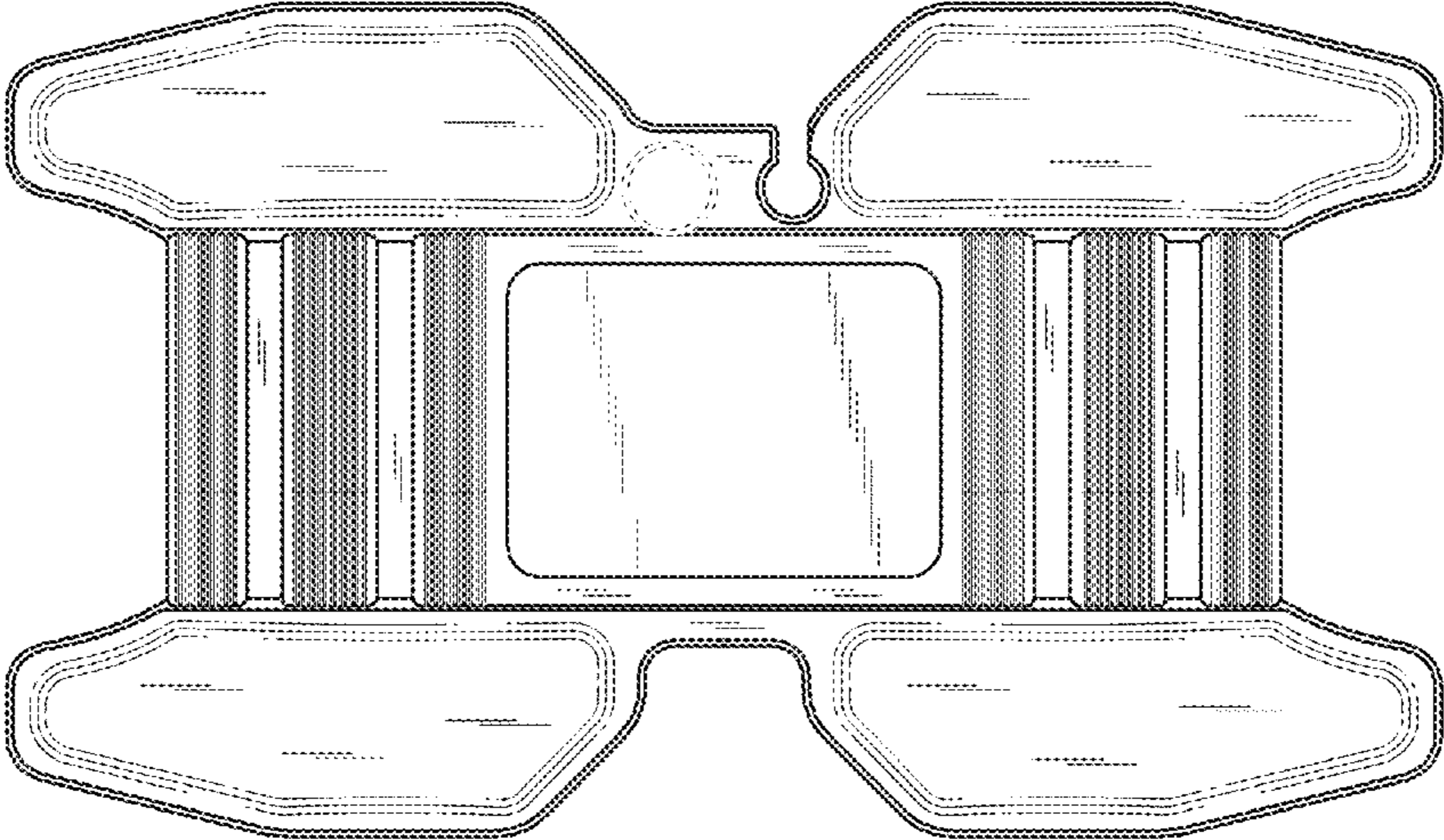


Fig. 4

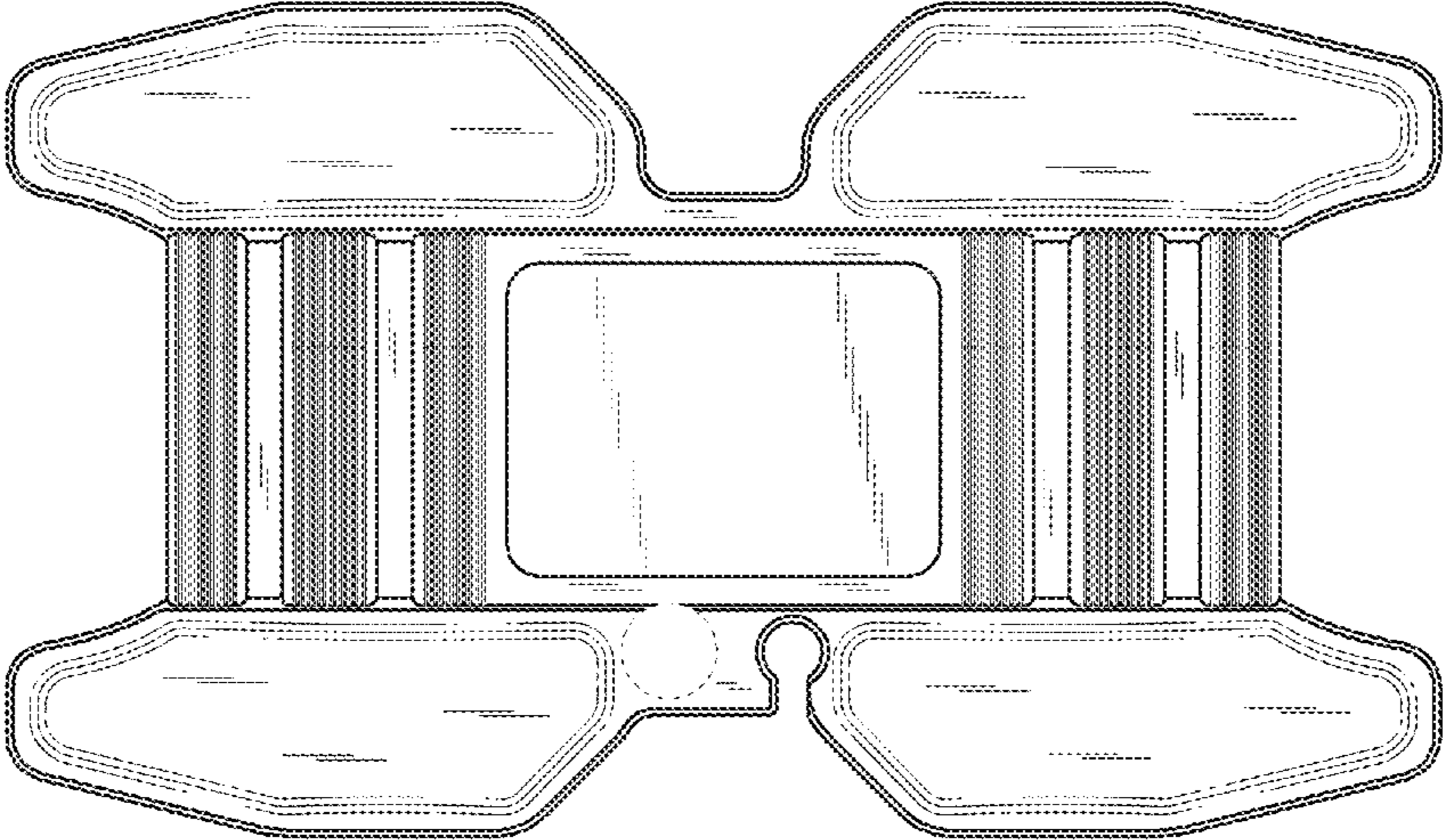


Fig. 5

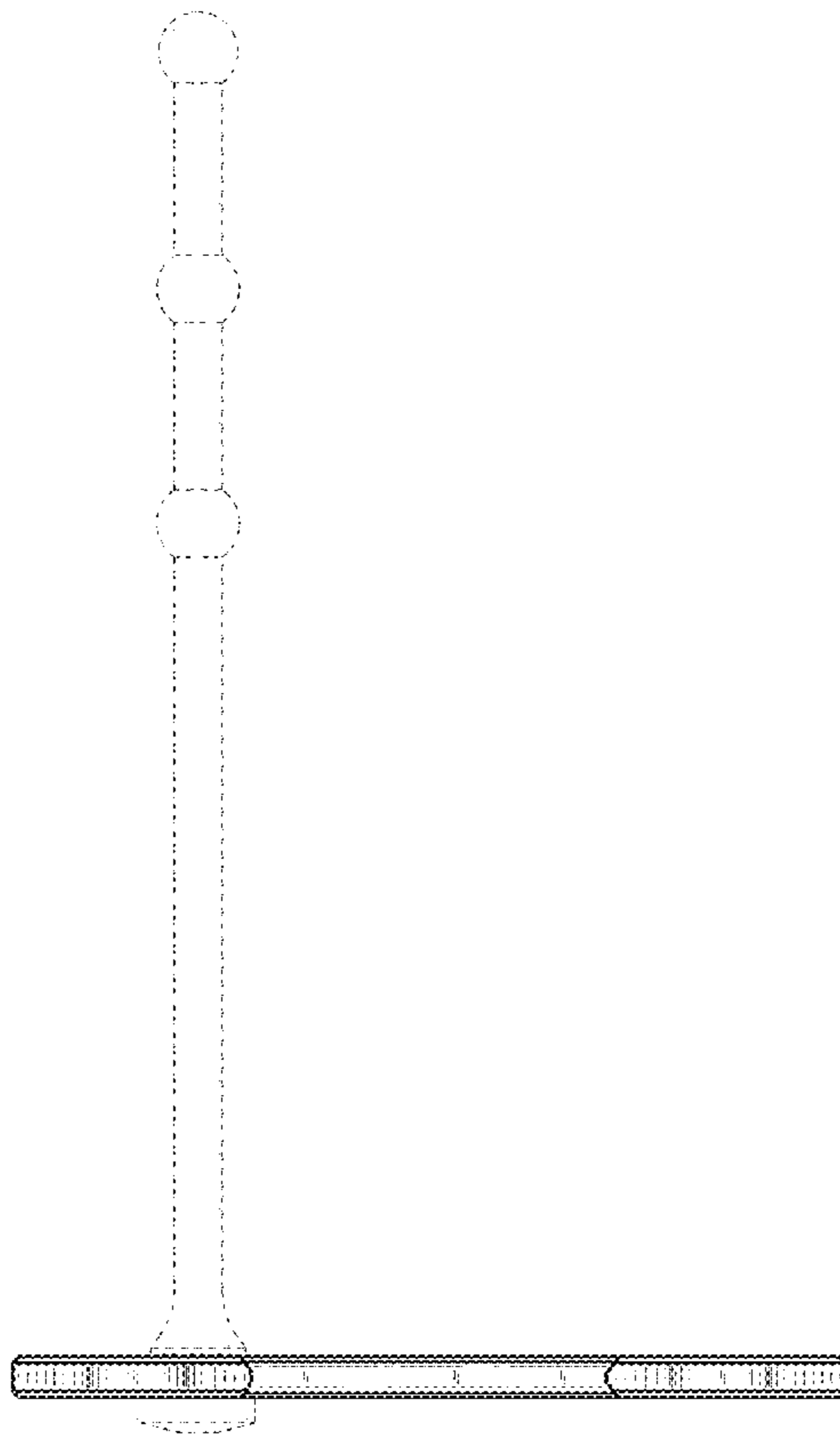


Fig. 6