



US00D670154S

(12) **United States Design Patent**  
**Kelleghan**

(10) **Patent No.:** **US D670,154 S**  
(45) **Date of Patent:** **\*\* Nov. 6, 2012**

(54) **CARABINER WITH STRAP ATTACHMENT**

(75) Inventor: **Brian James Kelleghan**, Longmont, CO (US)

(73) Assignee: **Bison Designs, LLC**, Longmont, CO (US)

(\*\*) Term: **14 Years**

(21) Appl. No.: **29/380,929**

(22) Filed: **Dec. 13, 2010**

**Related U.S. Application Data**

(62) Division of application No. 29/354,049, filed on Jan. 19, 2010, now Pat. No. Des. 628,873.

(51) **LOC (9) Cl.** ..... **08-05**

(52) **U.S. Cl.** ..... **D8/356**

(58) **Field of Classification Search** ..... D8/105, D8/107, 333, 349, 354, 356, 358, 360, 360.1, D8/367, 372, 382, 383, 394-396, 400; D13/133, D13/139.4, 153, 155; 24/18, 20 W, 23 W, 24/115 R, 129 C, 130, 131 R, 197, 561; 52/220.7; 174/135, 153 G, 650, 656; 211/86.01, 87.01, 211/94.01; 242/400.1, 405.1, 405.2, 600, 242/603; 248/65, 74.1-74.4, 201, 214, 215, 248/229.26; 114/114

See application file for complete search history.

(56) **References Cited**

**U.S. PATENT DOCUMENTS**

18,275 A	6/1865	Hamilton
114,459 A	5/1871	Meyer
760,171 A	5/1904	Atwell
1,764,813 A	6/1930	Thornley
2,666,244 A	1/1954	Carmichael

(Continued)

**OTHER PUBLICATIONS**

U.S. Appl. No. 61/297,155, filed Jan. 21, 2010; First Named Inventor: Brian James Kelleghan.

(Continued)

*Primary Examiner* — Karen S Acker

(74) *Attorney, Agent, or Firm* — Margaret Polson; Oppedahl Patent Law Firm LLC

(57) **CLAIM**

The ornamental design for a carabiner with strap attachment, as shown and described.

**DESCRIPTION**

FIG. 1 is a front plan view of a first embodiment of a carabiner with strap attachment. The gate, strap, pin holes and lever, which are shown in intermittent broken lines, represent environmental subject matter and form no part of the claim.

FIG. 2 is a rear plan view of FIG. 1.

FIG. 3 is a right side elevation view of FIG. 1.

FIG. 4 is a left side elevation view of FIG. 1.

FIG. 5 is a top elevation view of FIG. 1.

FIG. 6 is a bottom elevation view of FIG. 1.

FIG. 7 is a rear perspective view of FIG. 1.

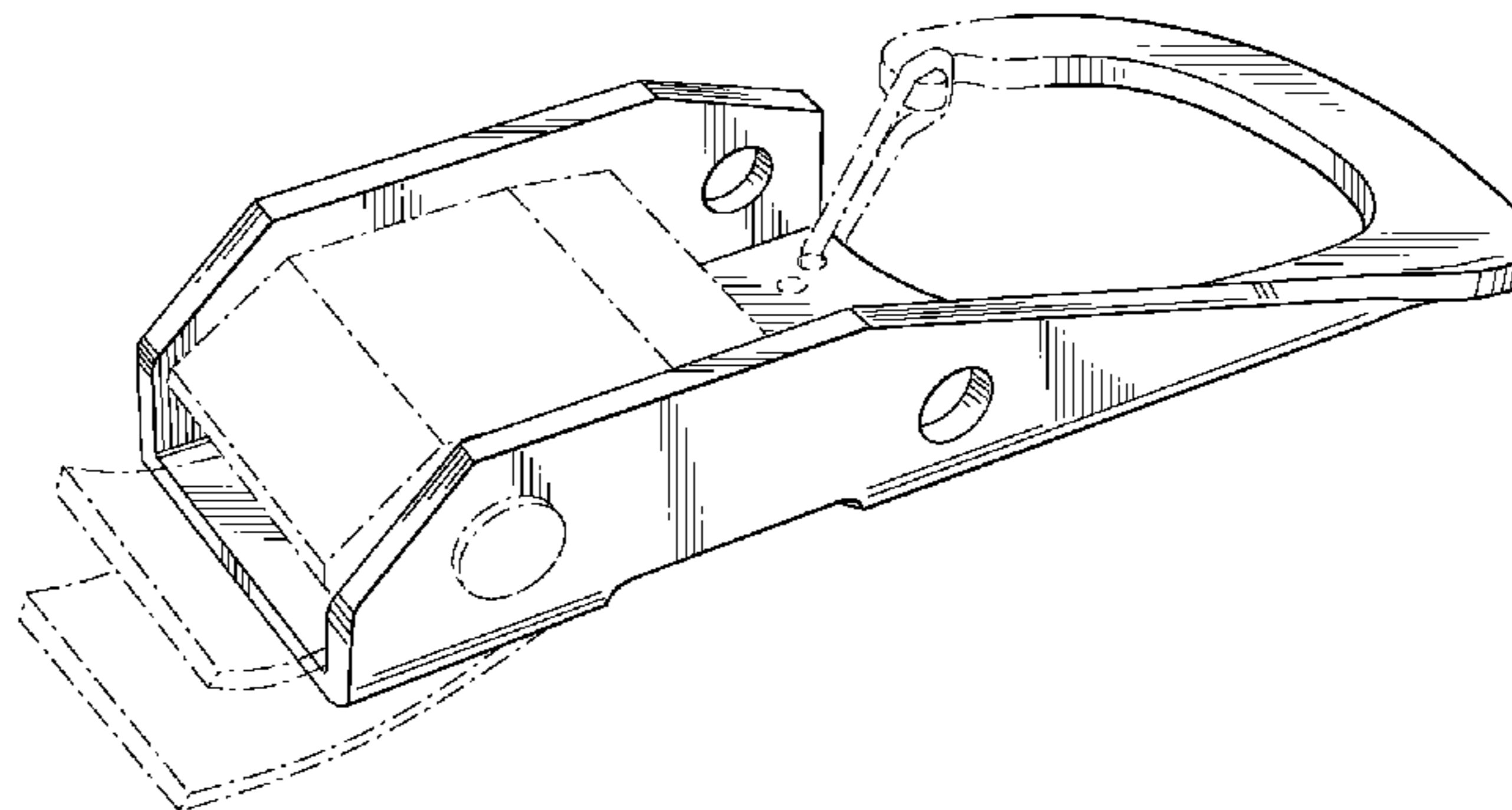
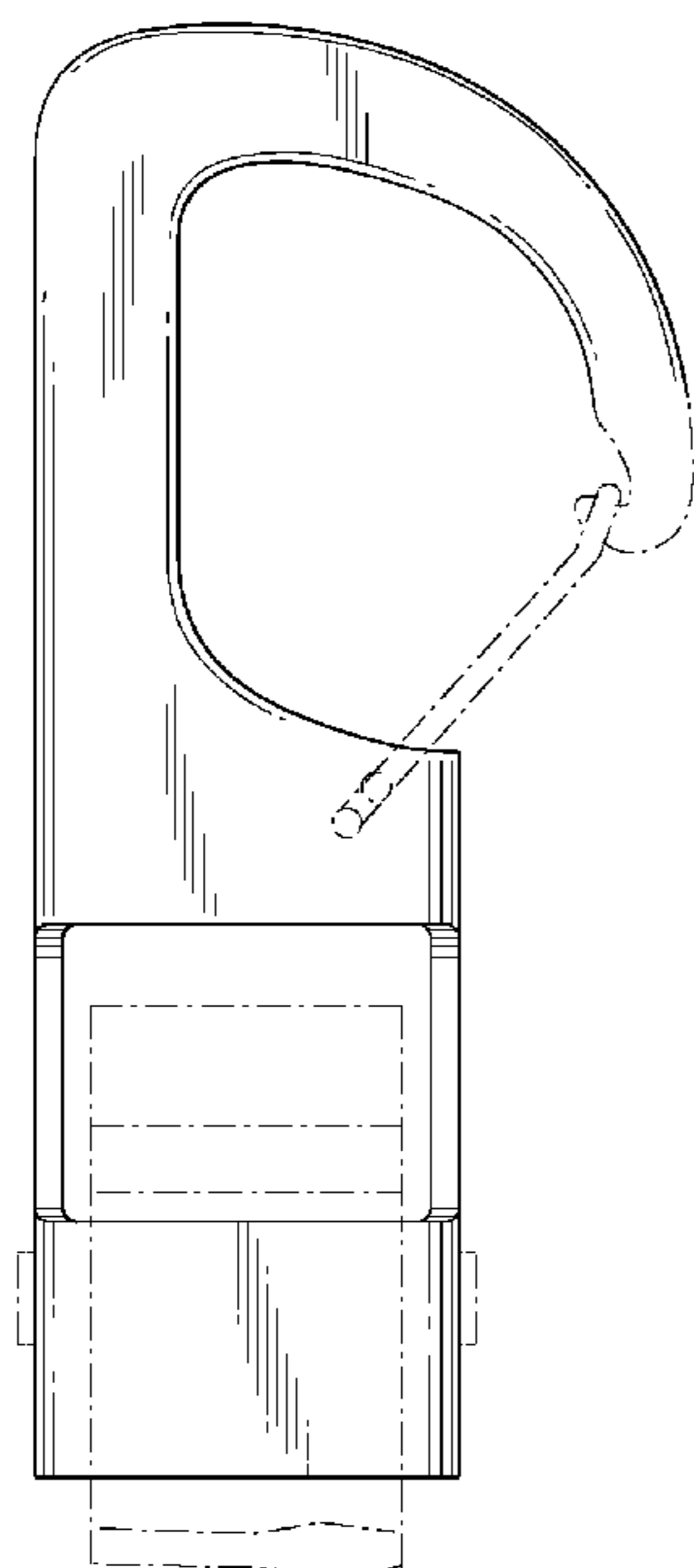
FIG. 8 is a rear plan view of a second embodiment of a carabiner with strap attachment. The right side elevation view is a mirror image of FIG. 3. The left side elevation view is a mirror image of FIG. 4. The gate, strap, pin holes and lever, which are shown in intermittent broken lines, represent environmental subject matter and form no part of the claim.

FIG. 9 is a front plan view of FIG. 8.

FIG. 10 is a top elevation view of FIG. 8; and,

FIG. 11 is bottom elevation view of FIG. 8.

**1 Claim, 3 Drawing Sheets**



# US D670,154 S

Page 2

## U.S. PATENT DOCUMENTS

3,102,317	A	9/1963	Cadley			
D274,861	S *	7/1984	Lindblad .....	D11/216		
D281,483	S	11/1985	Faidide			
4,577,374	A	3/1986	Lii			
D285,989	S	10/1986	MacDonald			
4,622,724	A	11/1986	Dupre			
D310,017	S	8/1990	Matthews			
5,146,657	A	9/1992	Frano			
D330,669	S	11/1992	Hui-Chuan			
D331,695	S	12/1992	O'Keefe			
5,291,638	A *	3/1994	Huang .....	24/170		
5,329,675	A	7/1994	McLean et al.			
5,384,943	A	1/1995	LeFebvre et al.			
5,416,955	A	5/1995	Katsma			
5,463,798	A	11/1995	Wurzer			
D375,252	S	11/1996	Serra Fabregas			
5,669,119	A	9/1997	Seron			
5,685,185	A	11/1997	MacDonald			
D391,840	S	3/1998	Striebel			
D402,189	S	12/1998	Izumi			
5,920,963	A *	7/1999	Chou .....	24/170		
5,937,490	A	8/1999	Mihailovic			
D433,310	S	11/2000	Luquire			
D433,311	S	11/2000	Luquire			
D444,100	S	6/2001	Kelleghan			
D444,685	S	7/2001	Shenkel et al.			
D448,655	S	10/2001	Lai			
D448,986	S	10/2001	Cook et al.			
6,363,244	B1	3/2002	McGhee			
D461,312	S	8/2002	Proot et al.			
D462,891	S	9/2002	Kelleghan			
D467,156	S	12/2002	Bishop			
D468,997	S	1/2003	Chang			
D474,095	S	5/2003	Luquire			
D496,251	S	9/2004	Buscart			
D500,244	S	12/2004	Yoshiguchi			
D504,306	S	4/2005	Chisolm			
6,877,189	B2 *	4/2005	Simonson et al. ....	24/170		
D515,903	S	2/2006	Kelleghan			
D519,010	S	4/2006	Oas			
D520,345	S	5/2006	Kelleghan			
D527,988	S	9/2006	Shetler			
D528,238	S	9/2006	Kramer			
D539,122	S	3/2007	Tsai			
D543,440	S	5/2007	Plzak			
D553,480	S	10/2007	Kelleghan			
D564,341	S	3/2008	Kelleghan			
D573,493	S	7/2008	Tsai			
D574,692	S	8/2008	Cooper			
D577,283	S	9/2008	Nishida et al.			
7,428,769	B2	9/2008	Fontaine et al.			
D579,763	S	11/2008	Uehara et al.			
D591,642	S	5/2009	Henderson et al.			
D594,315	S	6/2009	Szymanski et al.			
D600,534	S	9/2009	Tokumoto			
D608,187	S	1/2010	Baron			
D609,078	S	2/2010	Kelleghan			
D629,287	S	12/2010	Kelleghan			
D629,288	S	12/2010	Kelleghan			
D637,478	S *	5/2011	Kalbach .....	D8/383		
D646,556	S *	10/2011	Kelleghan .....	D8/356		
D661,573	S *	6/2012	Paik et al. ....	D8/367		
2003/0106190	A1	6/2003	Christianson			
2005/0172461	A1	8/2005	Hall			
2006/0261649	A1	11/2006	Baldwin et al.			
2008/0016659	A1	1/2008	Peterson			
2008/0134479	A1	6/2008	Kolasa et al.			
2008/0185409	A1	8/2008	Kellenberger			
2009/0000086	A1	1/2009	Bing			
2009/0178250	A1	7/2009	Brown et al.			
2009/0276983	A1	11/2009	Chan			

## OTHER PUBLICATIONS

U.S. Appl. No. 29/354,843, filed Jan. 29, 2010; First Named Inventor: Brian James Kelleghan.  
 Lodi Metals, Inc. Endless Loop Cambuckle Strap Scan of website [http://www.lodimetals.com/products:6677/show/id:17322/] showing prior art cambuckle straps manufactured by Lodi Metals.  
 Strapworks.com Cam Buckle Straps Scan of website [http://cambucklestraps.com/] showing prior art cam buckle straps sold by Strapworks.com.

\* cited by examiner

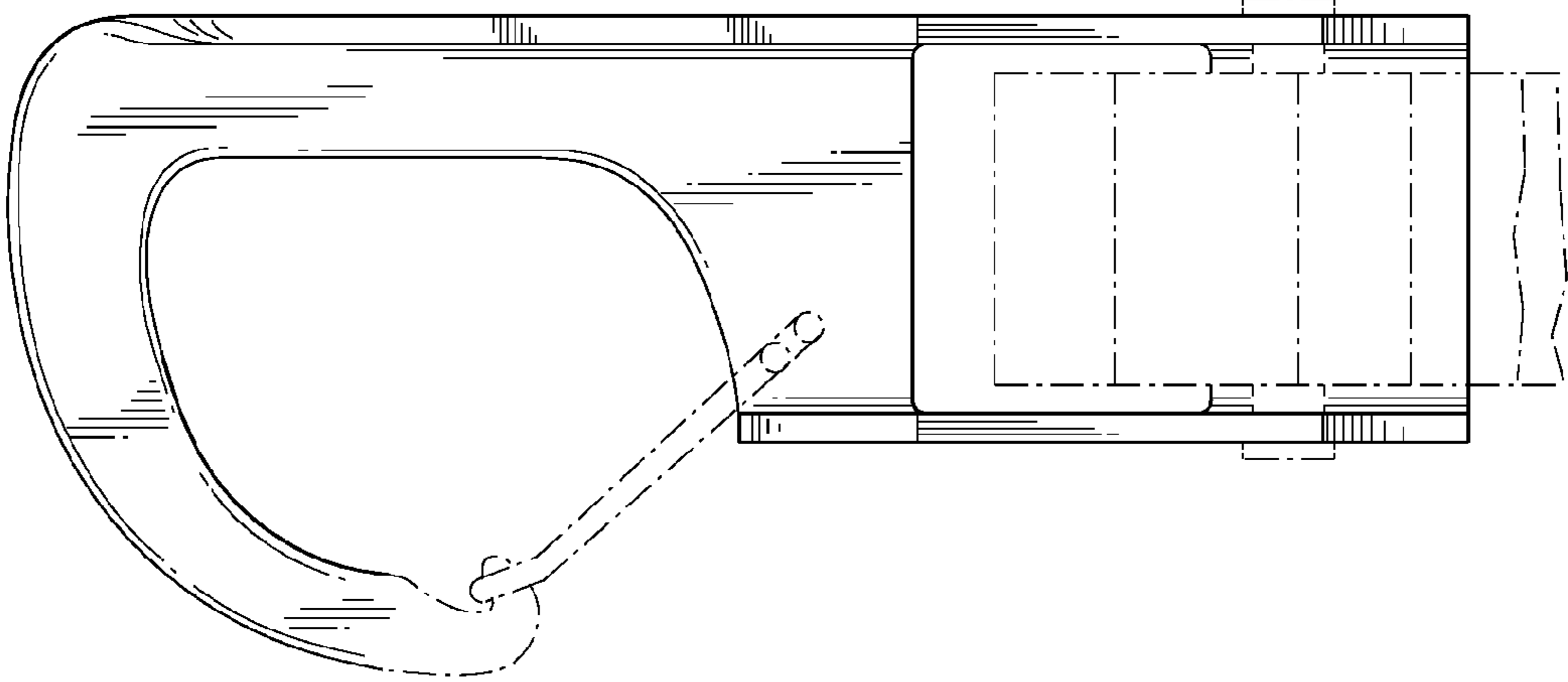


FIG.2

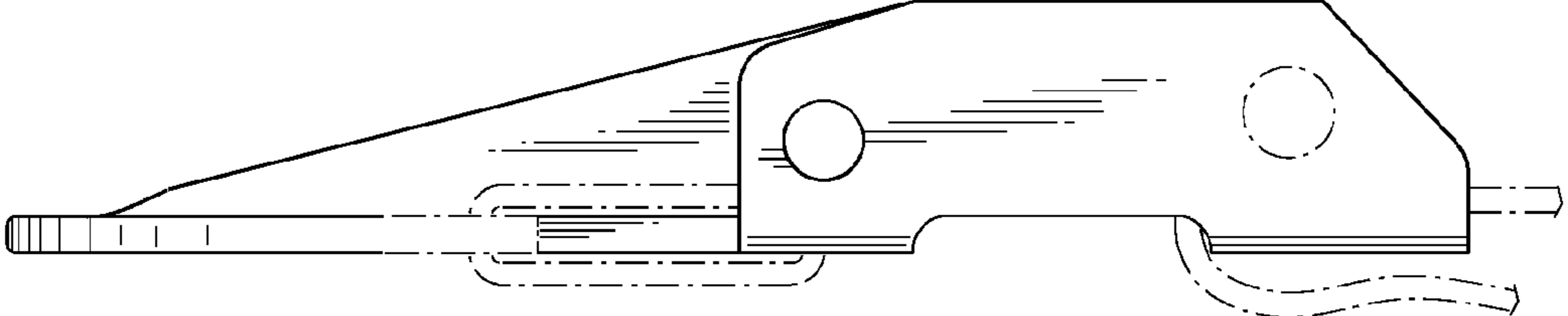


FIG.3

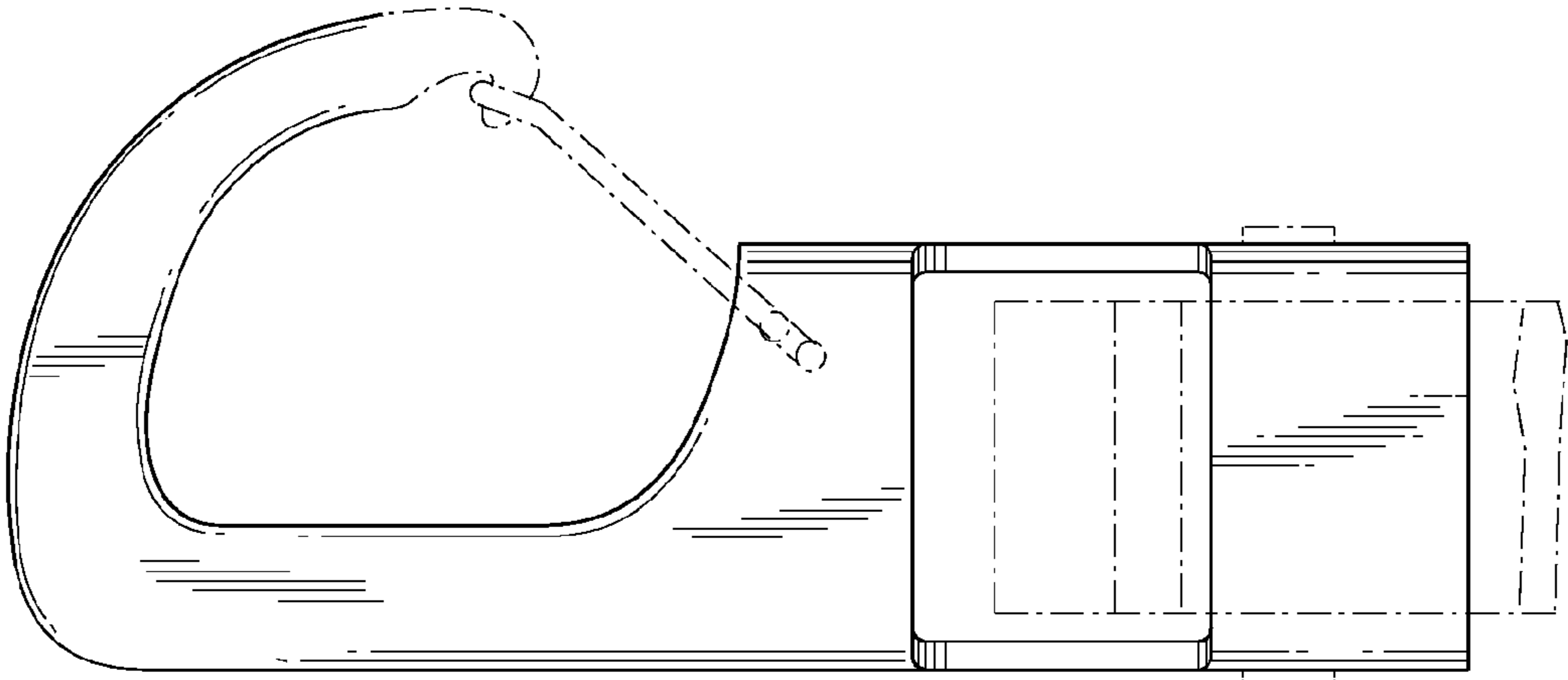


FIG.4

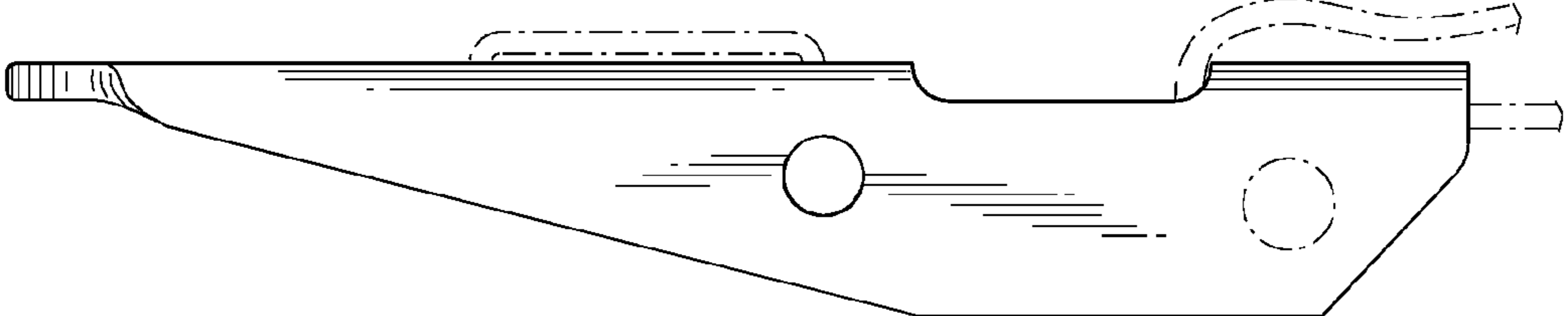


FIG.4

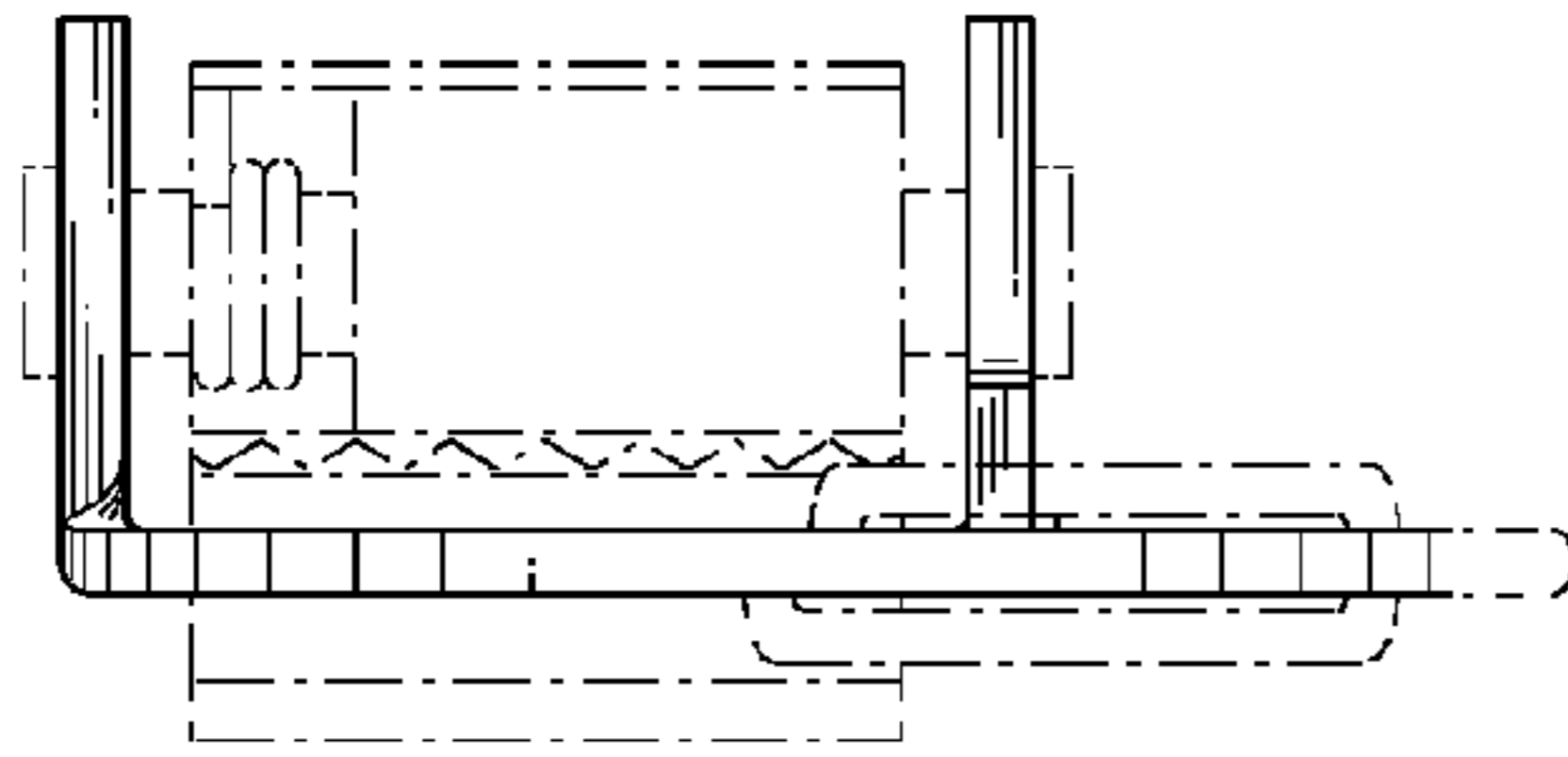


FIG.5

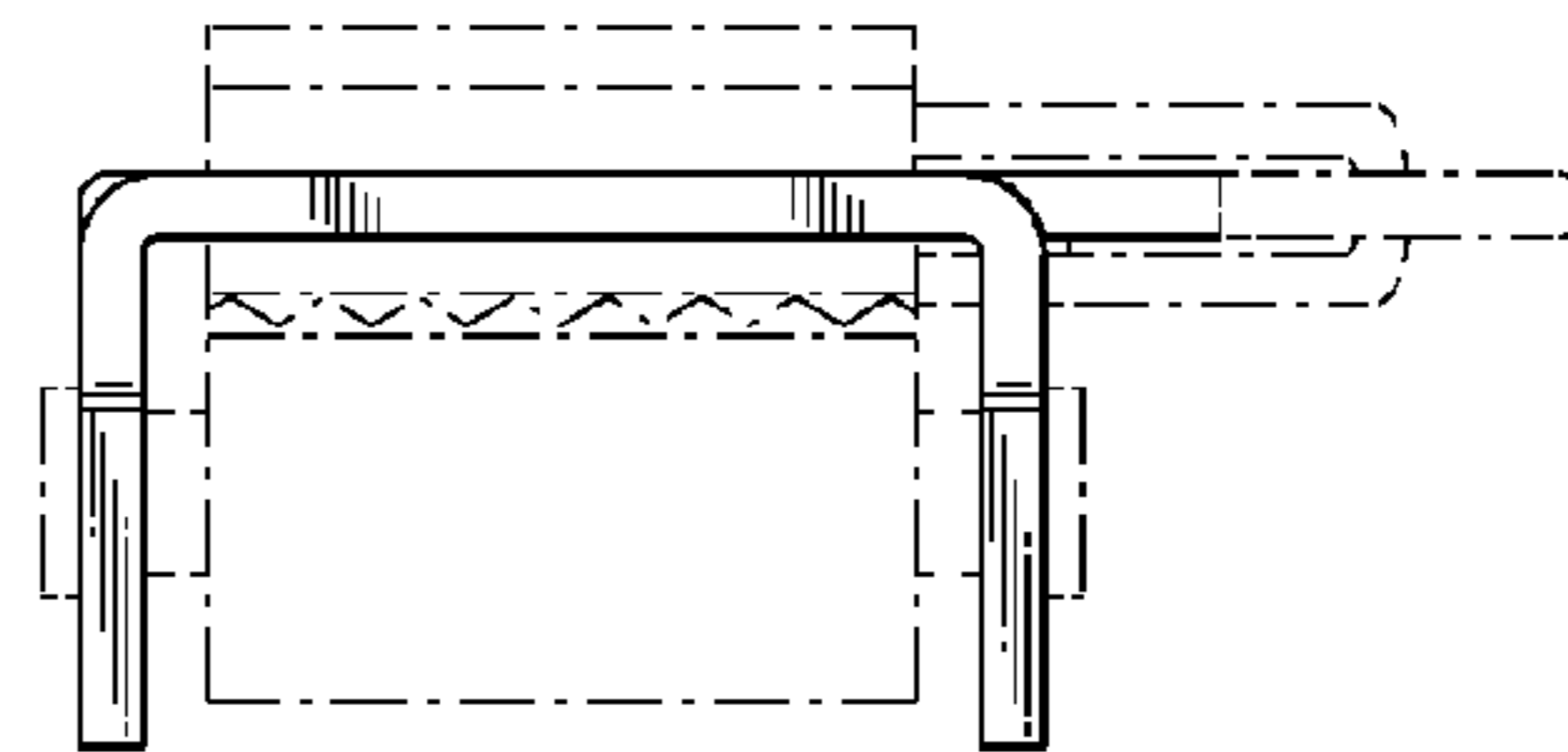


FIG.6

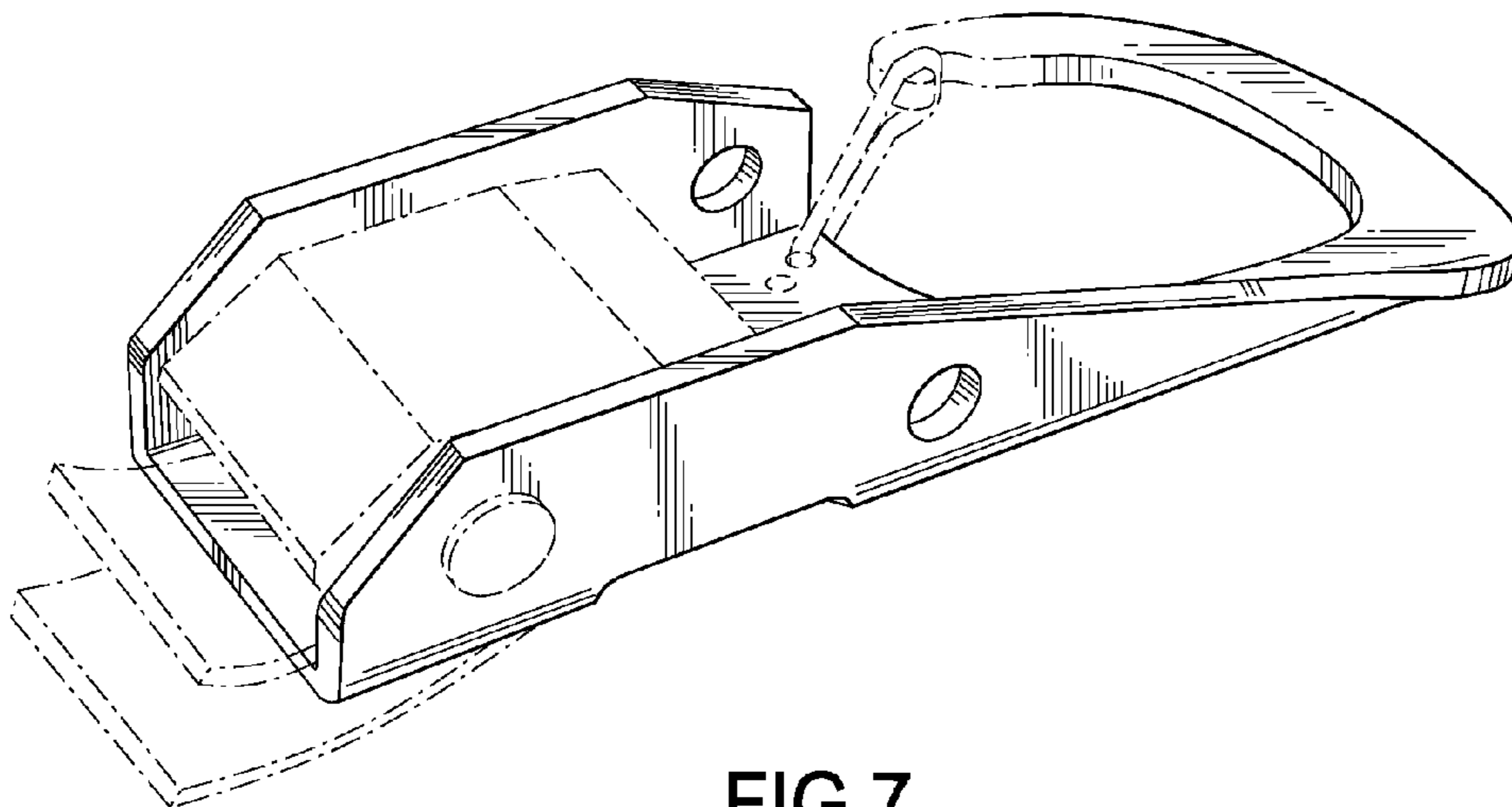


FIG.7

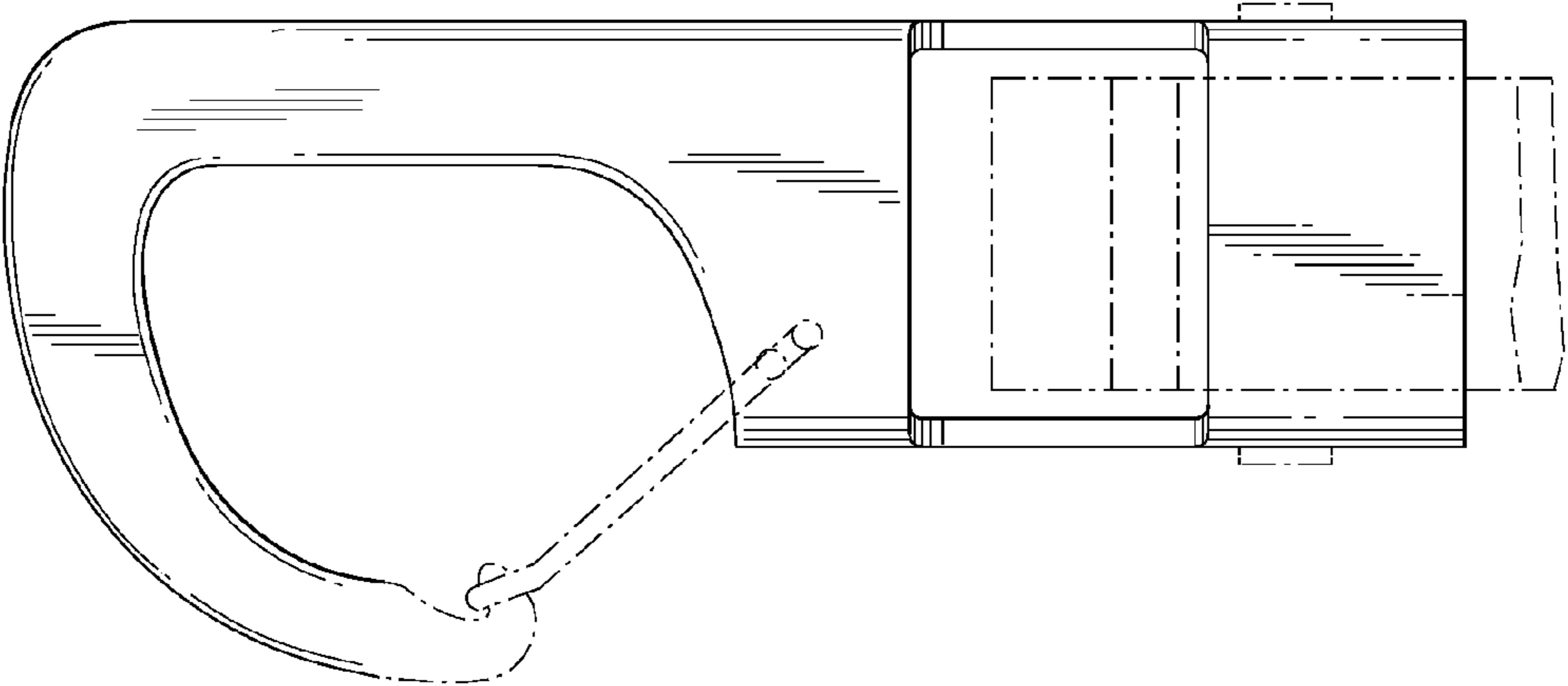


FIG. 8

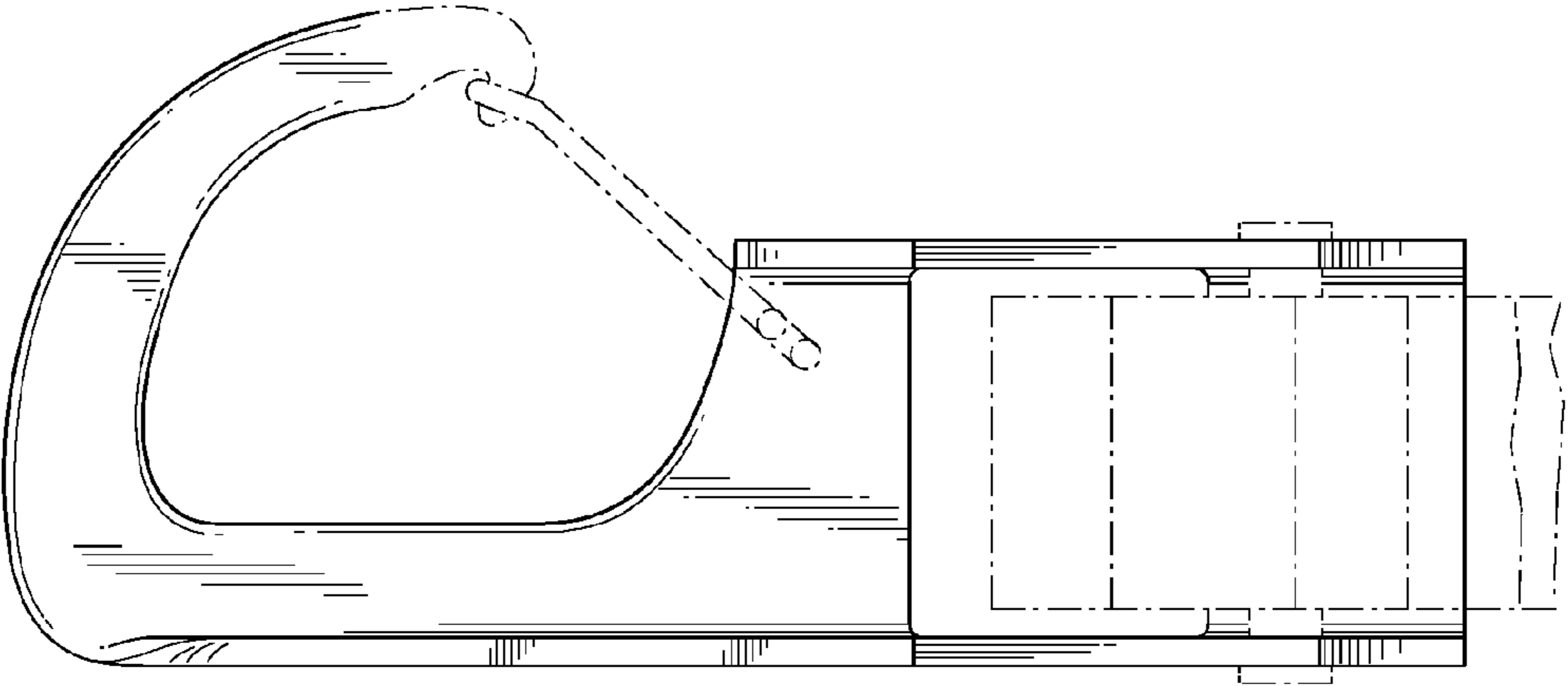


FIG. 9

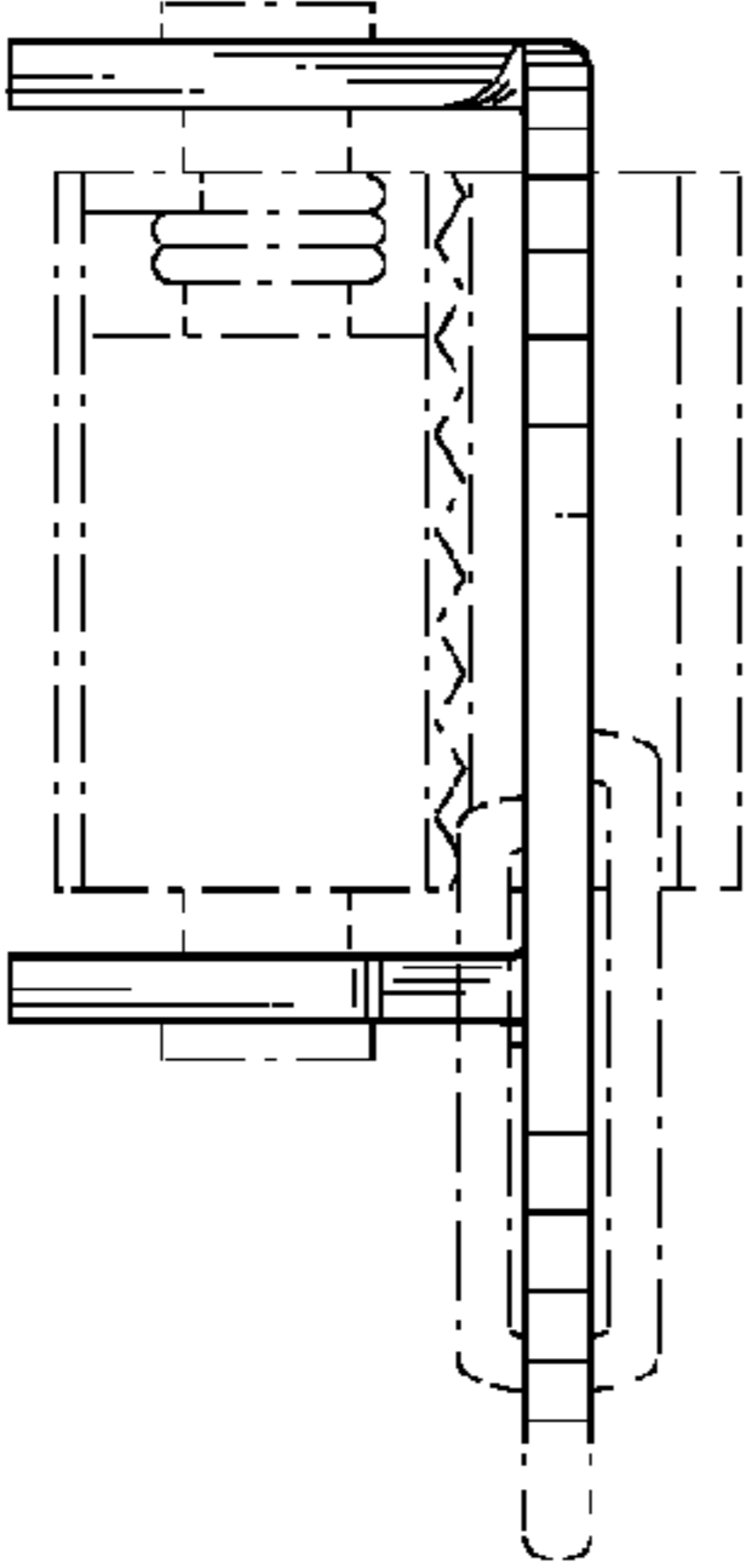


FIG. 10

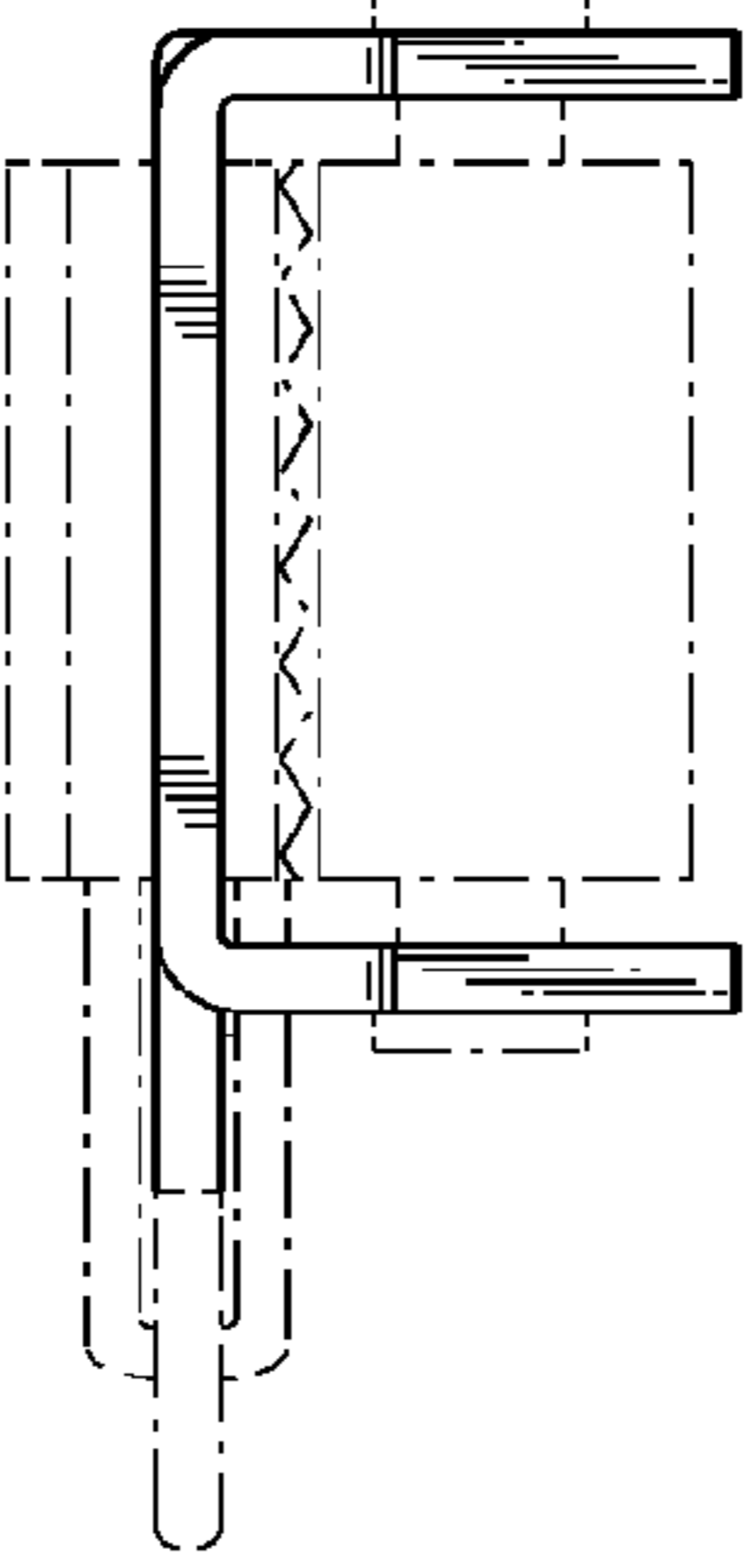


FIG. 11