



US00D670153S

(12) **United States Design Patent**
Wu

(10) **Patent No.:** **US D670,153 S**
(45) **Date of Patent:** **** Nov. 6, 2012**

(54) **WIRE ORGANIZER AND POSITIONER**

(76) Inventor: **Huai Wu**, Fujian (CN)

(**) Term: **14 Years**

(21) Appl. No.: **29/368,924**

(22) Filed: **Aug. 31, 2010**

(51) **LOC (9) Cl.** **08-05**

(52) **U.S. Cl.** **D8/356**

(58) **Field of Classification Search** D8/356,
D8/354, 349, 360, 399, 382, 327, 323, 56,
D8/367, 330, 383; D15/5, 146, 147, 148,
D15/149; D11/26, 39; D23/269; D12/501,
D12/175, 204, 207, 208; 474/8, 29, 31, 37,
474/39, 41, 47, 48, 49, 50, 51, 52, 53, 54,
474/55, 56, 57, 62, 69, 113, 135, 166; 254/393;
248/68.1; D13/155; D3/306; 190/19, 23,
190/24, 37, 40, 39; 217/57, 122, 123, 124,
217/125, 56, 17, 5; 312/100; 439/501; 320/111,
320/114; 191/12.4; 70/421, 371, 369, 208;
242/378.1; 362/249.16

See application file for complete search history.

(56) **References Cited**

U.S. PATENT DOCUMENTS

1,768,830	A *	7/1930	Dansereau et al.	251/356
2,226,496	A *	12/1940	Jacocks	228/125
D199,930	S *	12/1964	Murphy	D8/397
D289,138	S *	4/1987	Nead	D8/356
D310,185	S *	8/1990	Tick	D11/182
5,178,619	A *	1/1993	Galazaka	606/41

5,410,460	A *	4/1995	Liou	362/249.16
5,803,591	A *	9/1998	Lin	362/653
6,371,398	B1 *	4/2002	Liao	242/378.1
D471,795	S *	3/2003	Ellenberger et al.	D8/399
6,644,582	B1 *	11/2003	Liao	242/378.1
D520,351	S *	5/2006	Alkalay et al.	D8/382
7,076,843	B2 *	7/2006	Sakabayashi	24/68 SK
D554,974	S *	11/2007	Huang	D8/352
D577,795	S *	9/2008	Smith et al.	D23/262
D583,224	S *	12/2008	Holdsworth	D8/382
7,681,822	B2 *	3/2010	Tai	242/378.1
7,774,927	B2 *	8/2010	Karrasch et al.	29/748
D654,348	S *	2/2012	Musselman	D8/349
8,140,173	B2 *	3/2012	Schorn et al.	607/149

* cited by examiner

Primary Examiner — Cynthia Underwood

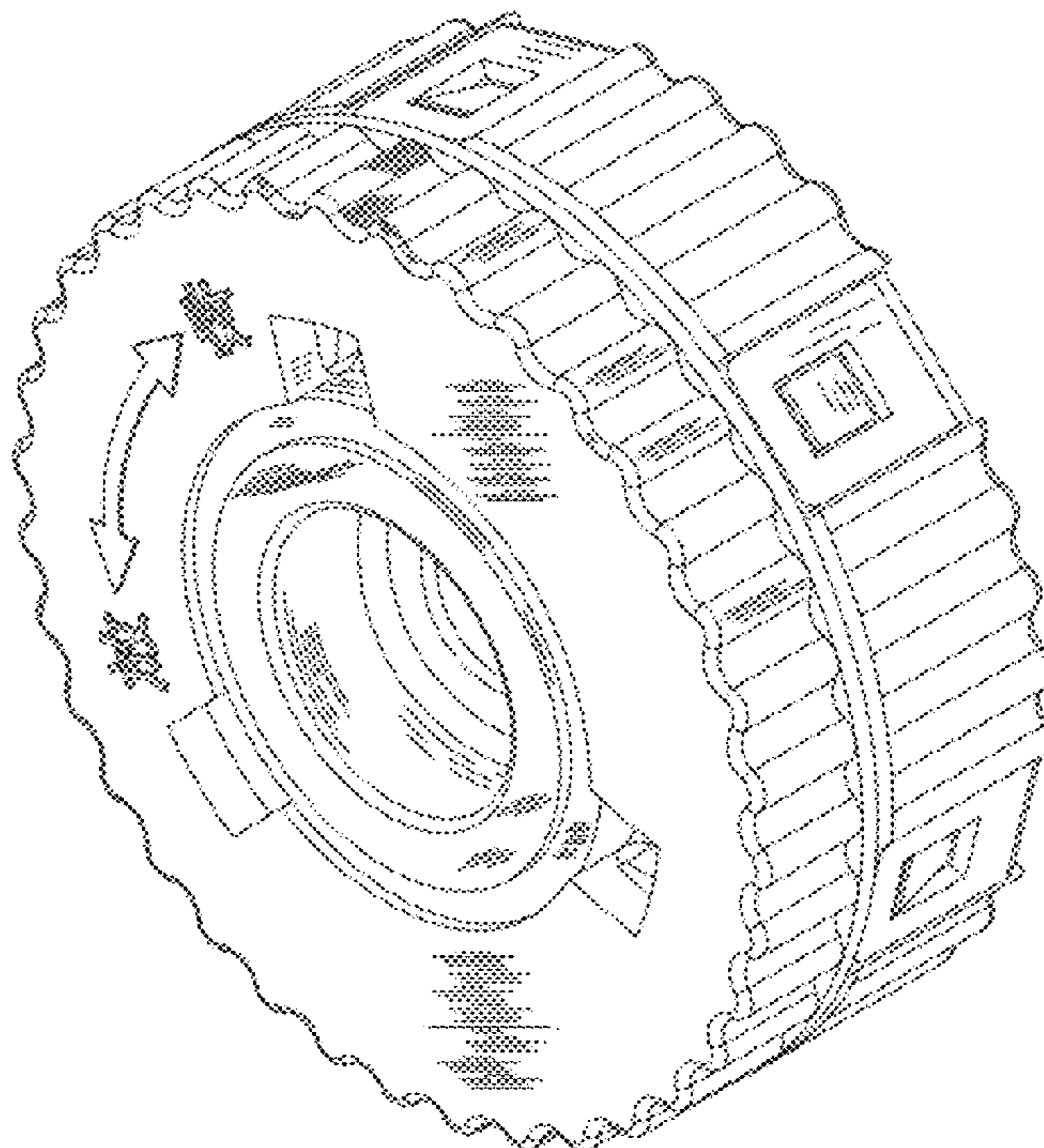
(57) **CLAIM**

The ornamental design for a wire organizer and positioner, as shown and described.

DESCRIPTION

FIG. 1 is a front, top and left side perspective view of a wire organizer and positioner;
FIG. 2 is a top plan view thereof;
FIG. 3 is a bottom plan view thereof;
FIG. 4 is a front elevation view thereof;
FIG. 5 is a rear elevation view thereof;
FIG. 6 is a right side elevation view thereof; and,
FIG. 7 is a left side elevation view thereof.
The broken lines represent environment and form no part of the claimed design.

1 Claim, 6 Drawing Sheets



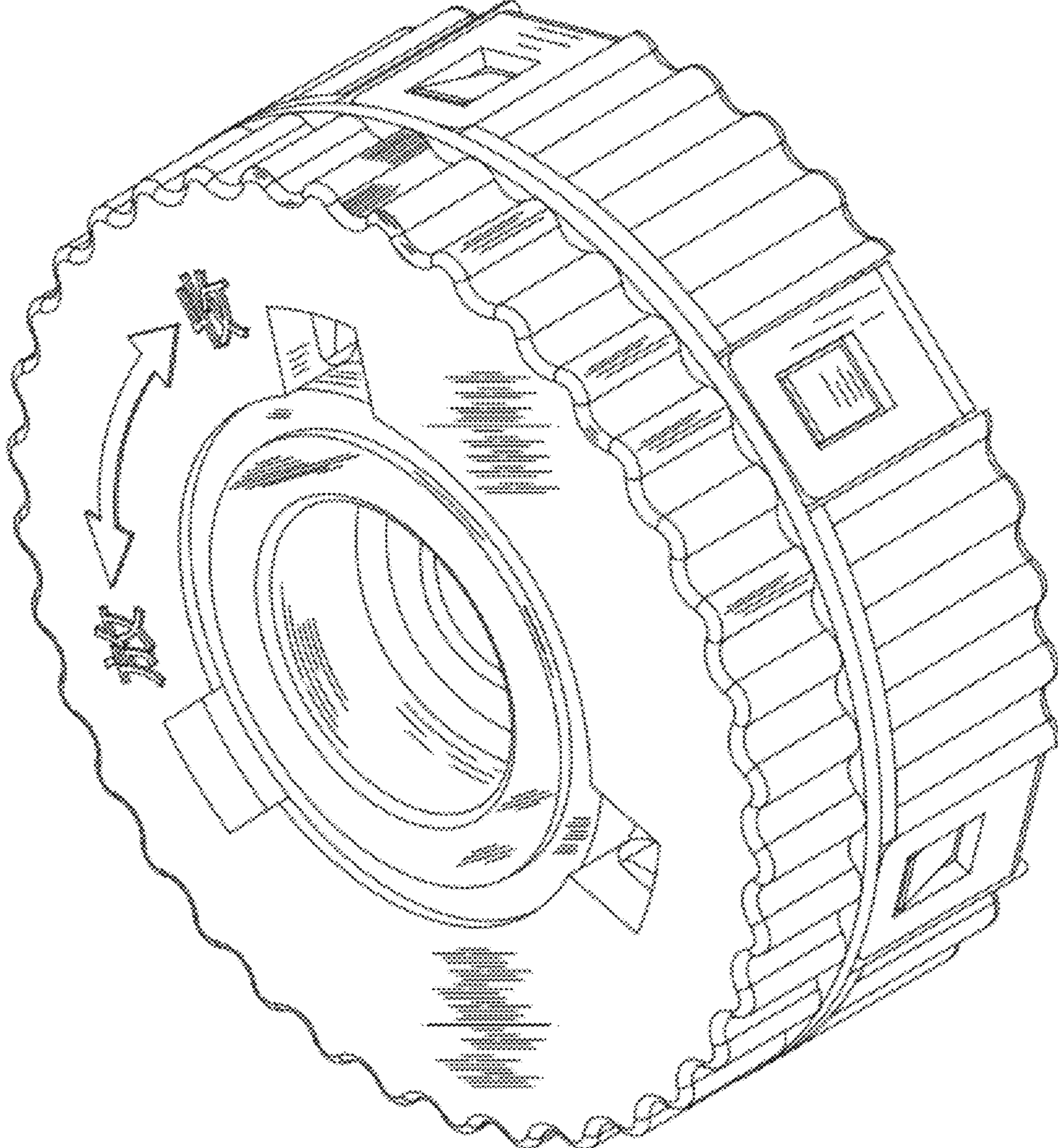


FIG. 1

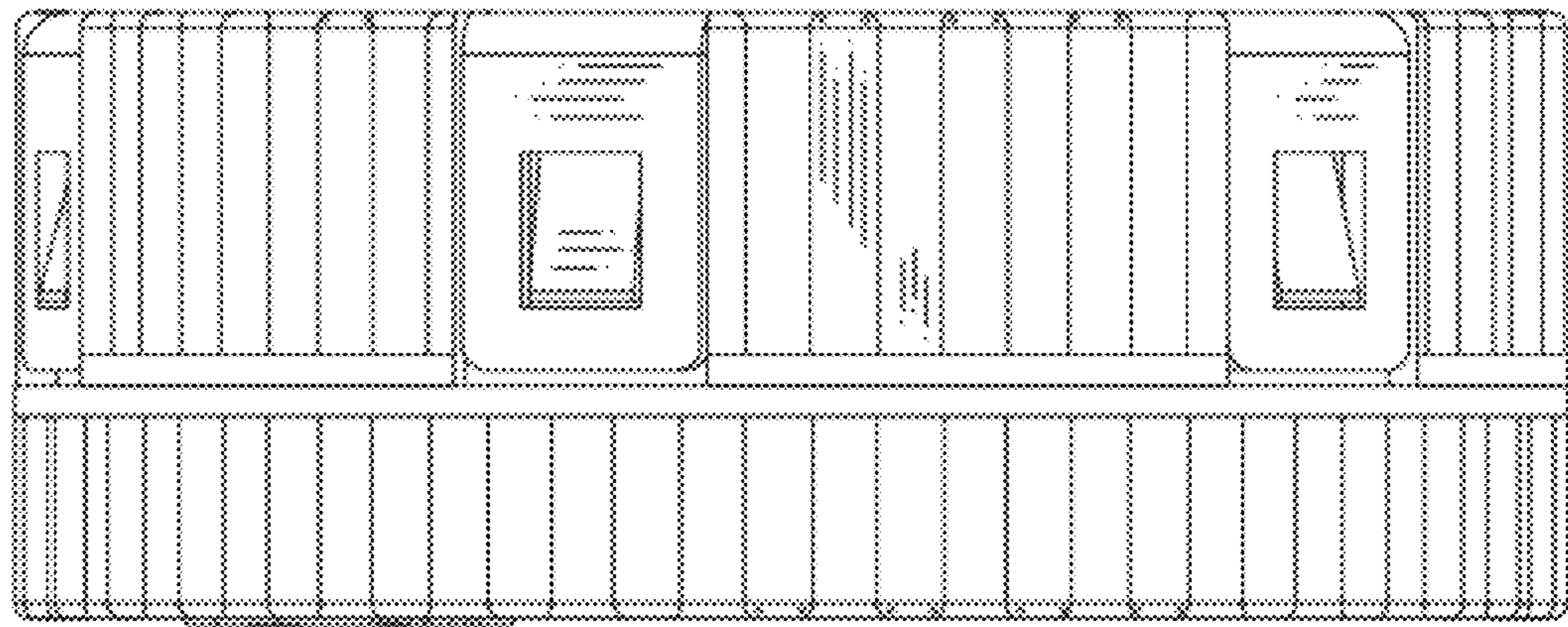


FIG. 2

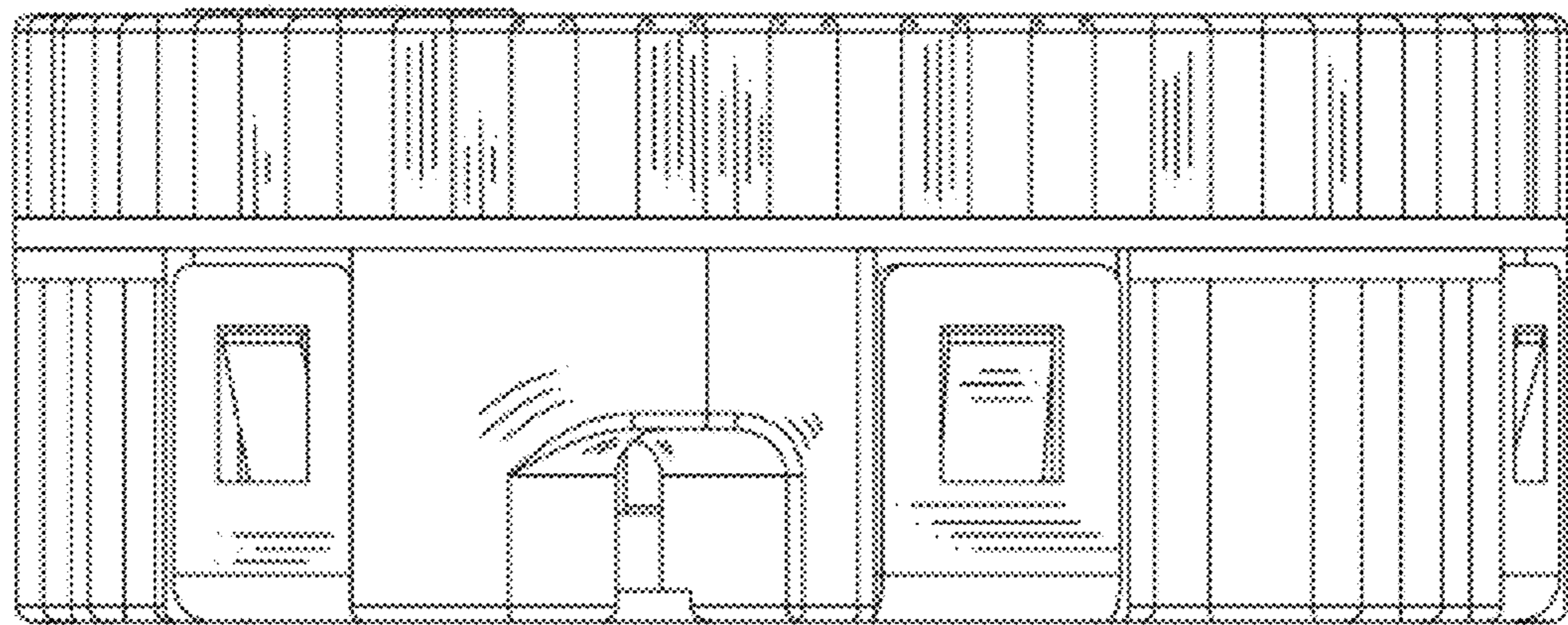


FIG. 3

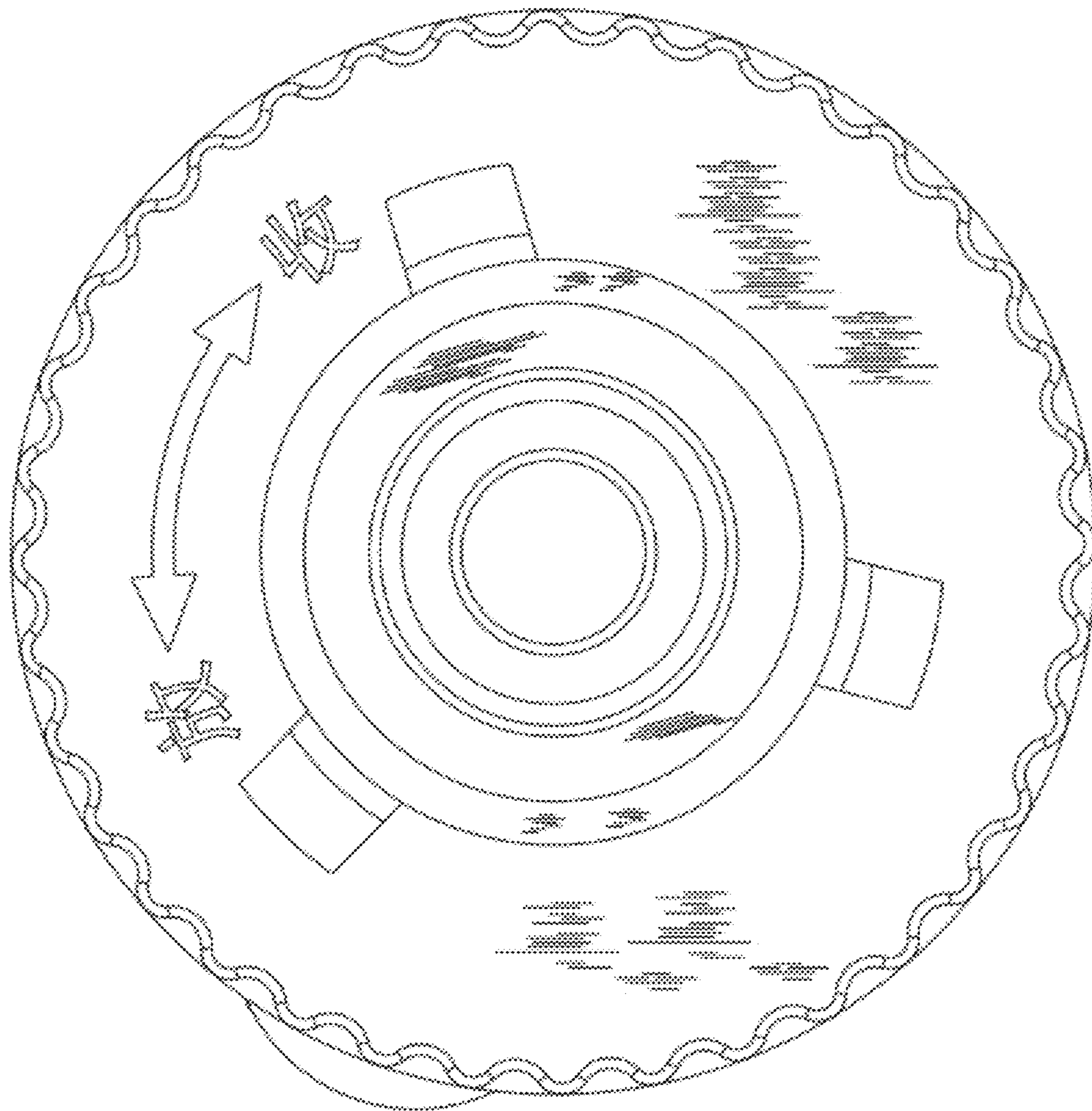


FIG. 4

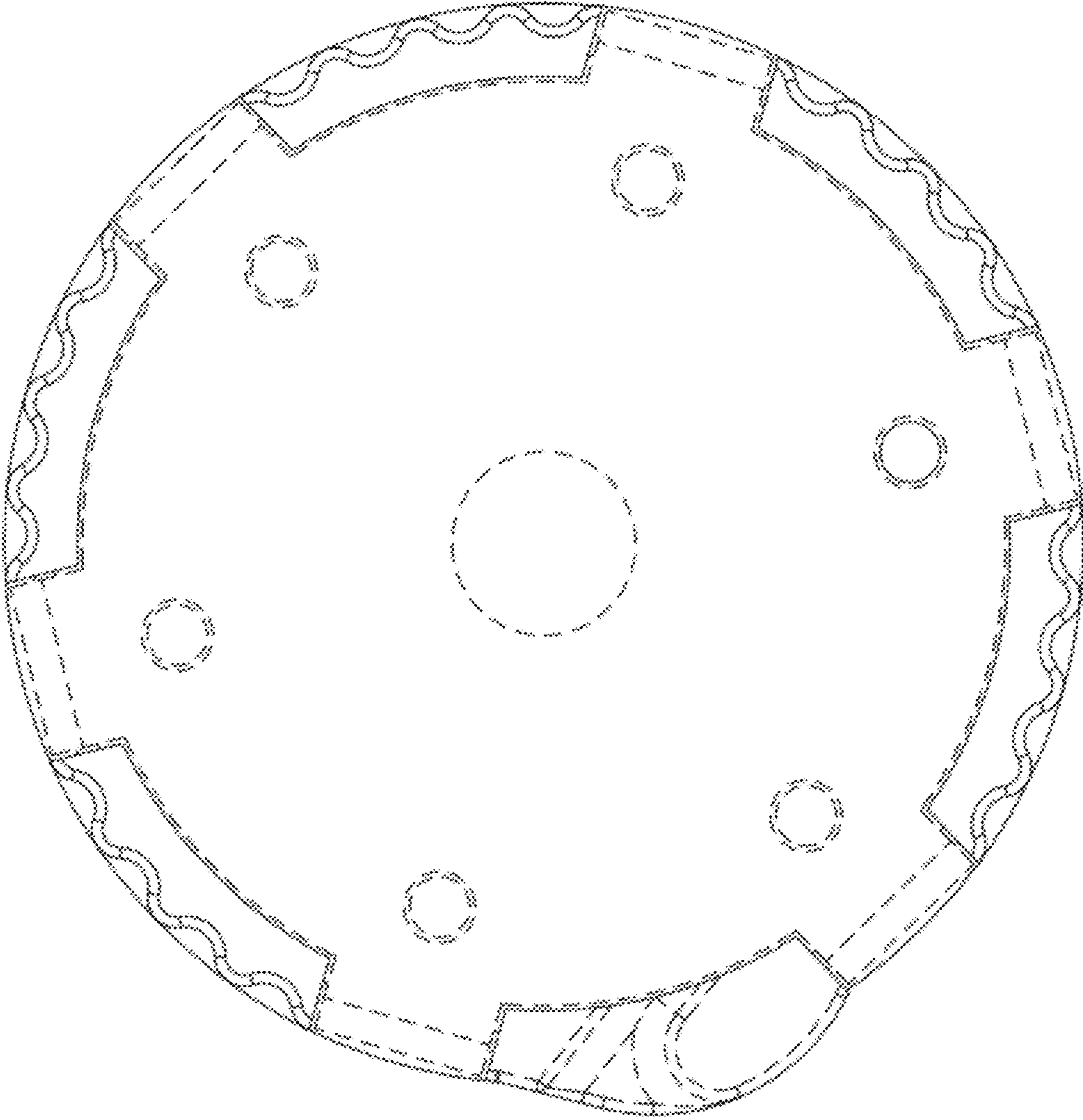


FIG. 5

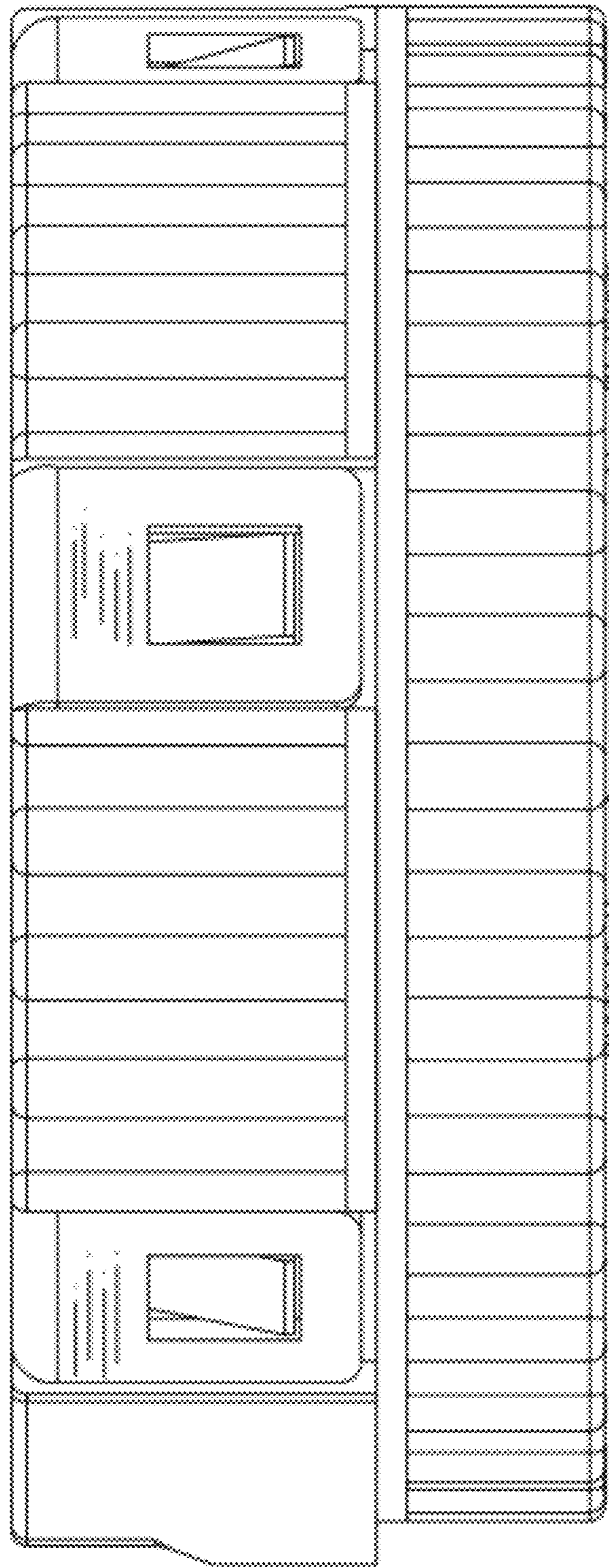


FIG.6

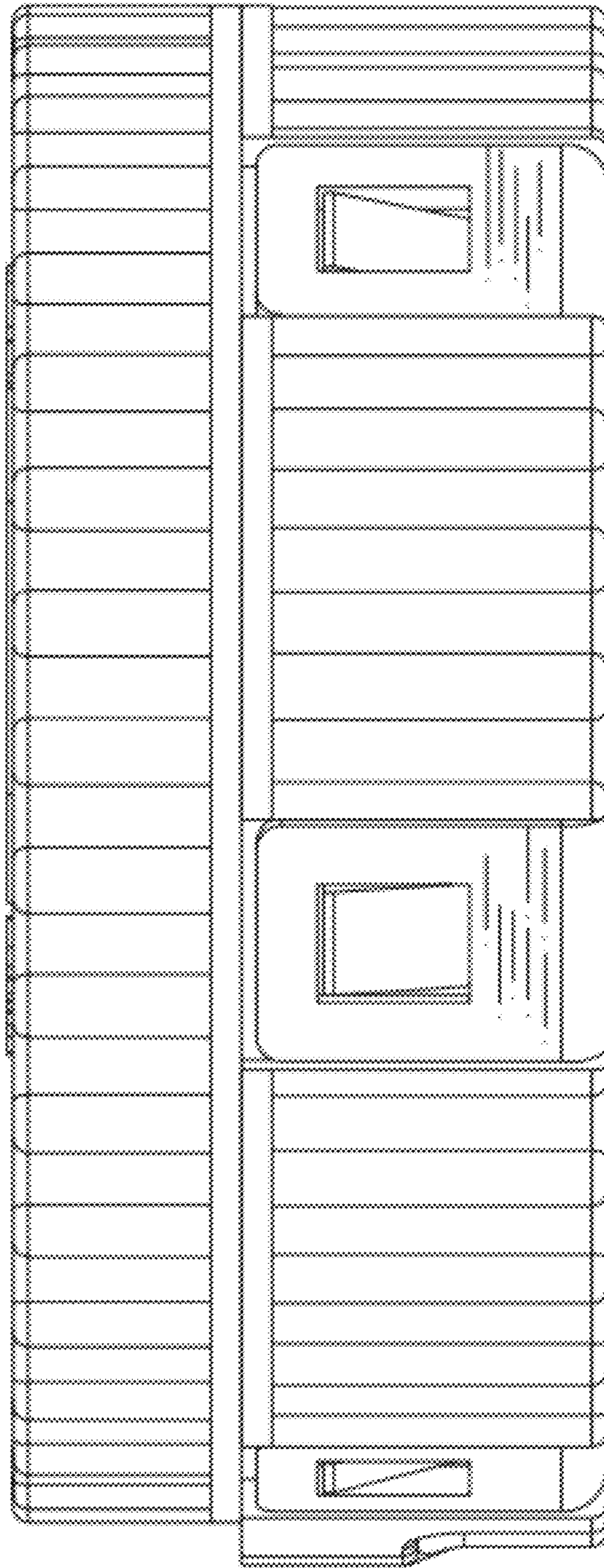


FIG. 7