



US00D670151S

(12) **United States Design Patent**  
**Angel et al.**

(10) **Patent No.:** **US D670,151 S**  
(45) **Date of Patent:** **\*\* Nov. 6, 2012**

(54) **HANDLE ASSEMBLY**

(75) Inventors: **Bruce A. Angel**, Stokesdale, NC (US);  
**David J. Rossman**, Greensboro, NC  
(US)

(73) Assignee: **Camco Manufacturing, Inc.**,  
Greensboro, NC (US)

(\*\*) Term: **14 Years**

(21) Appl. No.: **29/395,563**

(22) Filed: **Feb. 17, 2012**

(51) **LOC (9) Cl.** ..... **08-01**

(52) **U.S. Cl.** ..... **D8/107**

(58) **Field of Classification Search** ..... D8/1, 14,  
D8/107, 75; 16/110.1, 429; 294/19.3; 403/109.2,  
403/109.5, 383; 15/257.7; 74/492  
See application file for complete search history.

(56) **References Cited**

**U.S. PATENT DOCUMENTS**

372,784	A *	11/1887	Hengesbach	83/468
576,756	A *	2/1897	Cole	7/116
2,322,897	A *	6/1943	Van Den Bogaerde, Jr.	119/799
2,606,050	A *	8/1952	Morris et al.	403/328
3,347,575	A *	10/1967	Morris	403/107
3,380,097	A *	4/1968	Pharris	15/145
3,947,191	A *	3/1976	Milner, Jr.	403/334
3,987,904	A *	10/1976	Height et al.	211/105.1
4,535,645	A *	8/1985	De Bisschop et al.	74/492
4,647,241	A *	3/1987	Weber	403/18
4,663,796	A *	5/1987	Helling et al.	15/144.2
D291,862	S *	9/1987	Kolonia	D8/107
4,793,646	A *	12/1988	Michaud, Jr.	294/210
5,419,217	A *	5/1995	Umezawa et al.	74/567
5,515,574	A *	5/1996	Larson	16/429
5,743,577	A *	4/1998	Newman et al.	294/210
5,832,651	A *	11/1998	Arntz	43/5
6,045,288	A *	4/2000	Pasternak et al.	403/109.3
6,142,699	A *	11/2000	Pao	403/109.5
6,182,539	B1 *	2/2001	Webster	81/177.2
6,213,672	B1 *	4/2001	Varga	403/109.2

6,254,305	B1 *	7/2001	Taylor	403/378
D462,588	S *	9/2002	Kisby	D8/14
D517,392	S *	3/2006	Lin	D8/107
D518,350	S *	4/2006	Hay	D8/107
D519,820	S *	5/2006	Newman et al.	D8/107
7,237,305	B2 *	7/2007	Newman et al.	16/429

(Continued)

**OTHER PUBLICATIONS**

Ref. No. 1, Fixed Length Handle from Swobbit website (www.swobbit.com), Feb. 17, 2012, 1 Page.

(Continued)

*Primary Examiner* — Paula Greene

(74) *Attorney, Agent, or Firm* — Walter L. Beavers; Blake P. Hurt

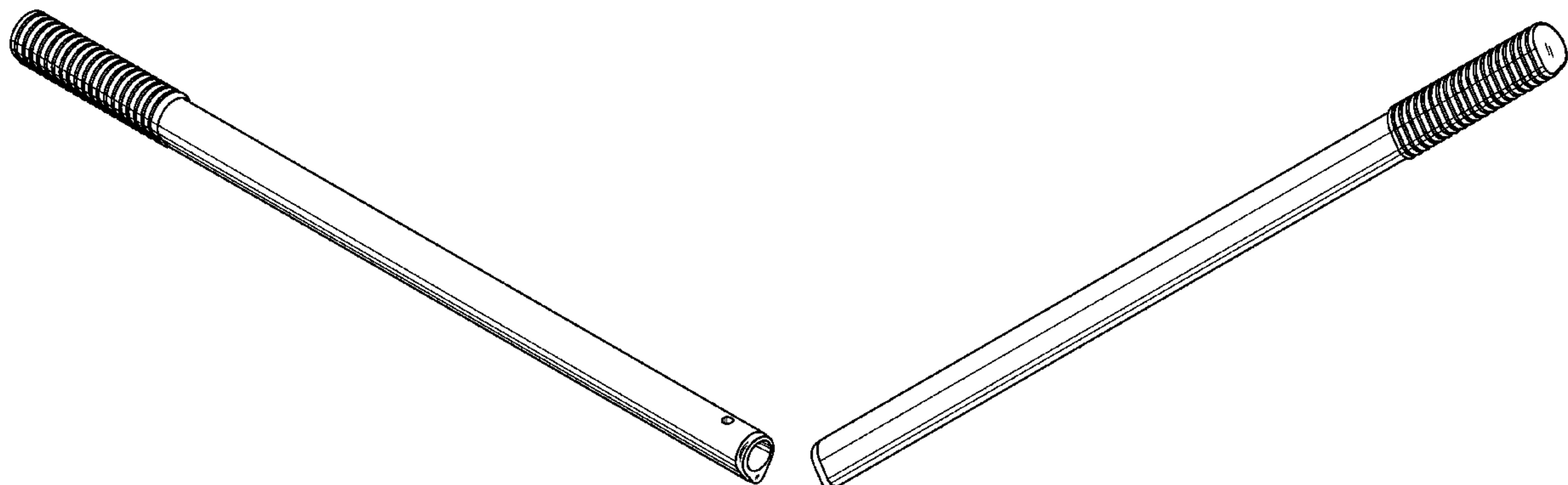
(57) **CLAIM**

The ornamental design for a handle assembly, as shown and described.

**DESCRIPTION**

FIG. 1 is a front, top, right side perspective view of a handle assembly embodying our design;  
 FIG. 2 is a rear, bottom, left side perspective view of the design as shown in FIG. 1;  
 FIG. 3 is an enlarged top plan view of the design as shown in FIG. 1;  
 FIG. 4 is an enlarged bottom plan view of the design as shown in FIG. 2;  
 FIG. 5 is a front elevational view of the design as shown in FIG. 1;  
 FIG. 6 is a rear elevational view of the design as shown in FIG. 5;  
 FIG. 7 is a left side elevational view of the design as shown in FIG. 5; and,  
 FIG. 8 is a right side elevational view of the design as shown in FIG. 5.

**1 Claim, 4 Drawing Sheets**



# US D670,151 S

Page 2

---

## U.S. PATENT DOCUMENTS

D558,444 S \* 1/2008 Ma ..... D3/6  
7,673,912 B2 \* 3/2010 Breininger ..... 294/210  
D625,573 S \* 10/2010 Bonzer ..... D8/107  
D644,907 S \* 9/2011 Blanchard ..... D8/107  
D644,908 S \* 9/2011 Blanchard ..... D8/107  
D653,931 S \* 2/2012 Blanchard ..... D8/107  
D661,567 S \* 6/2012 Bonzer ..... D8/107  
2004/0154525 A1 \* 8/2004 Wirth et al. .... 116/1

## OTHER PUBLICATIONS

Ref. No. 2, Fixed Length Handles from Shurhold website (www.shurhold.com), Feb. 17, 2012, 1 Page.

\* cited by examiner

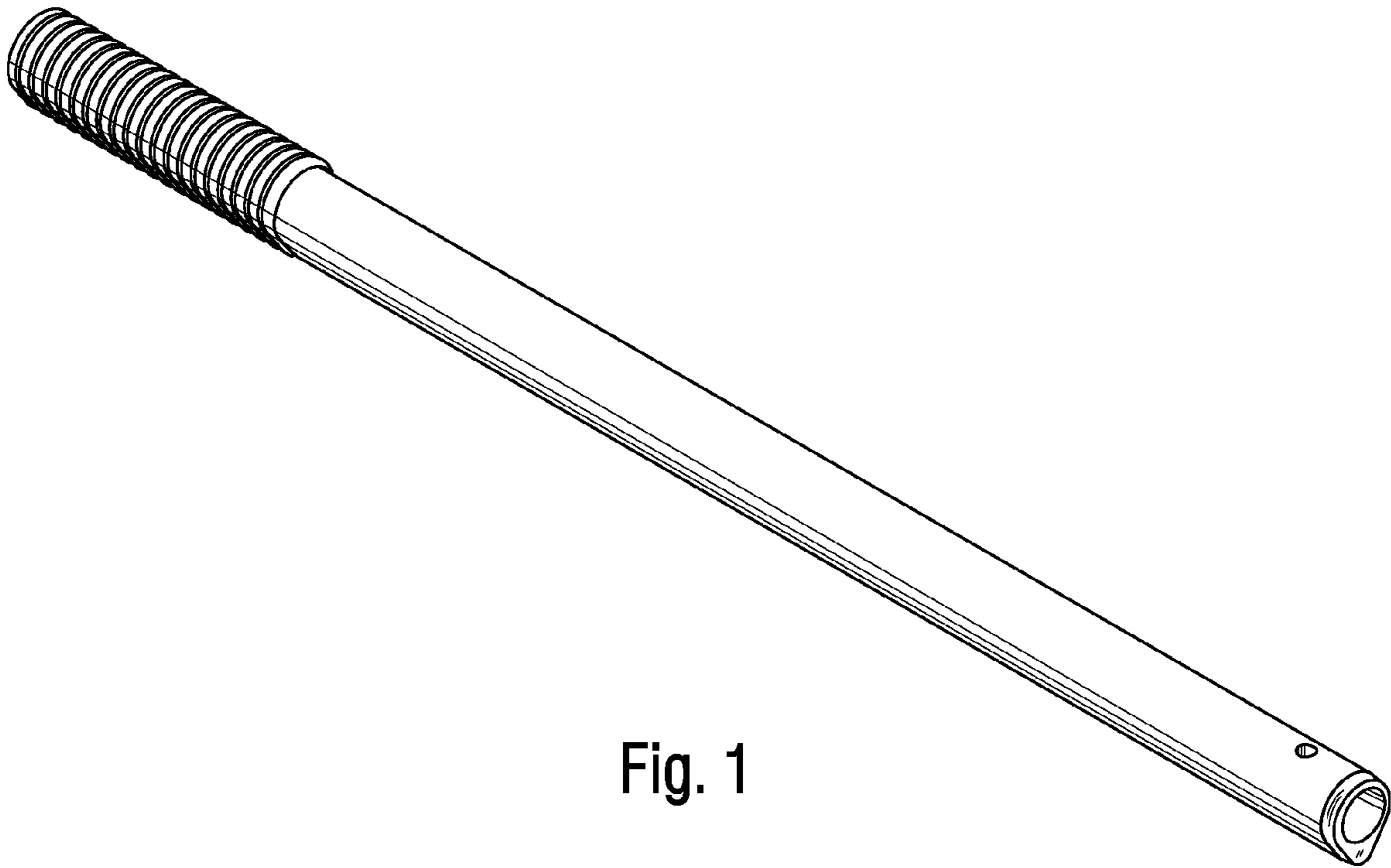


Fig. 1

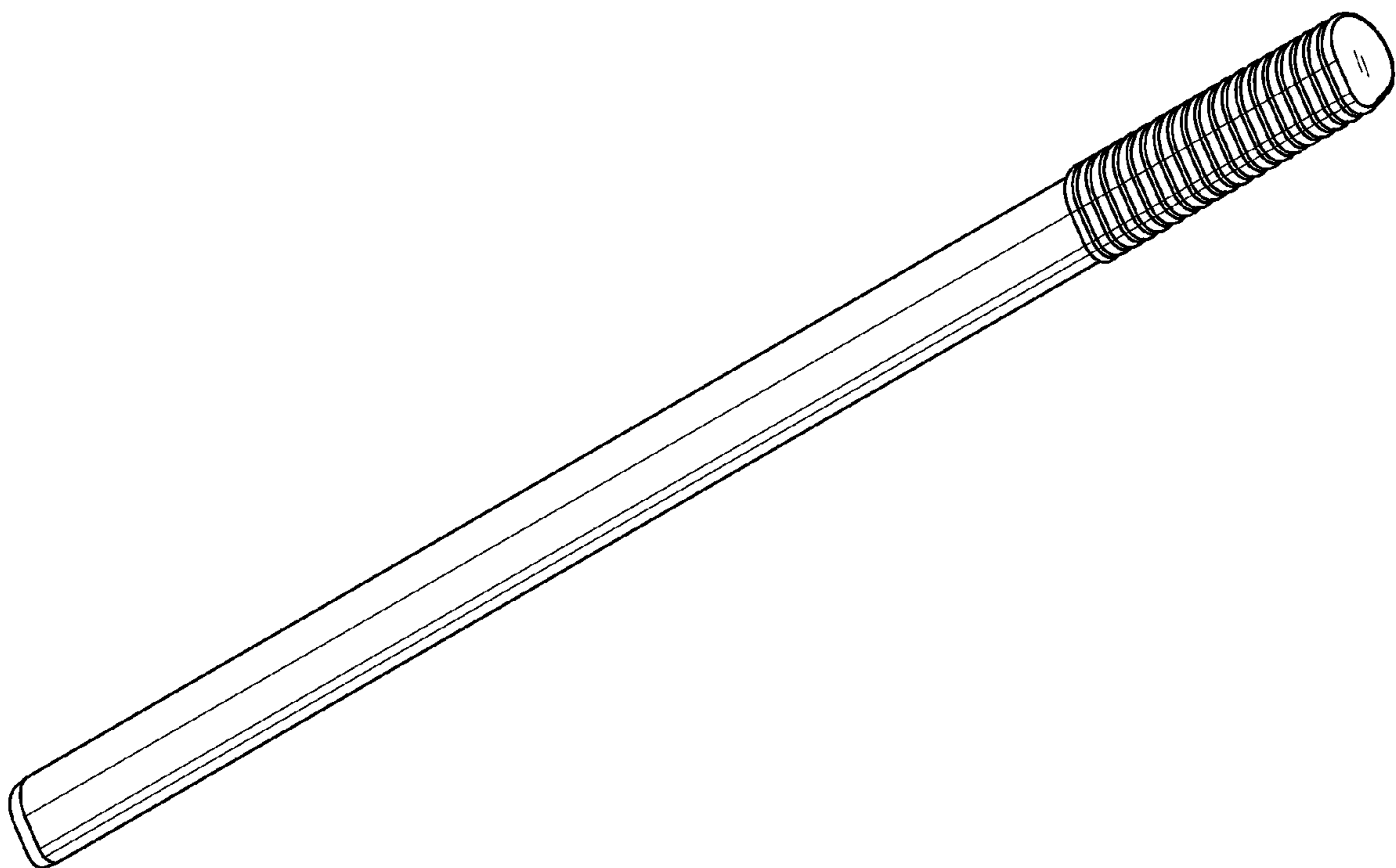


Fig. 2

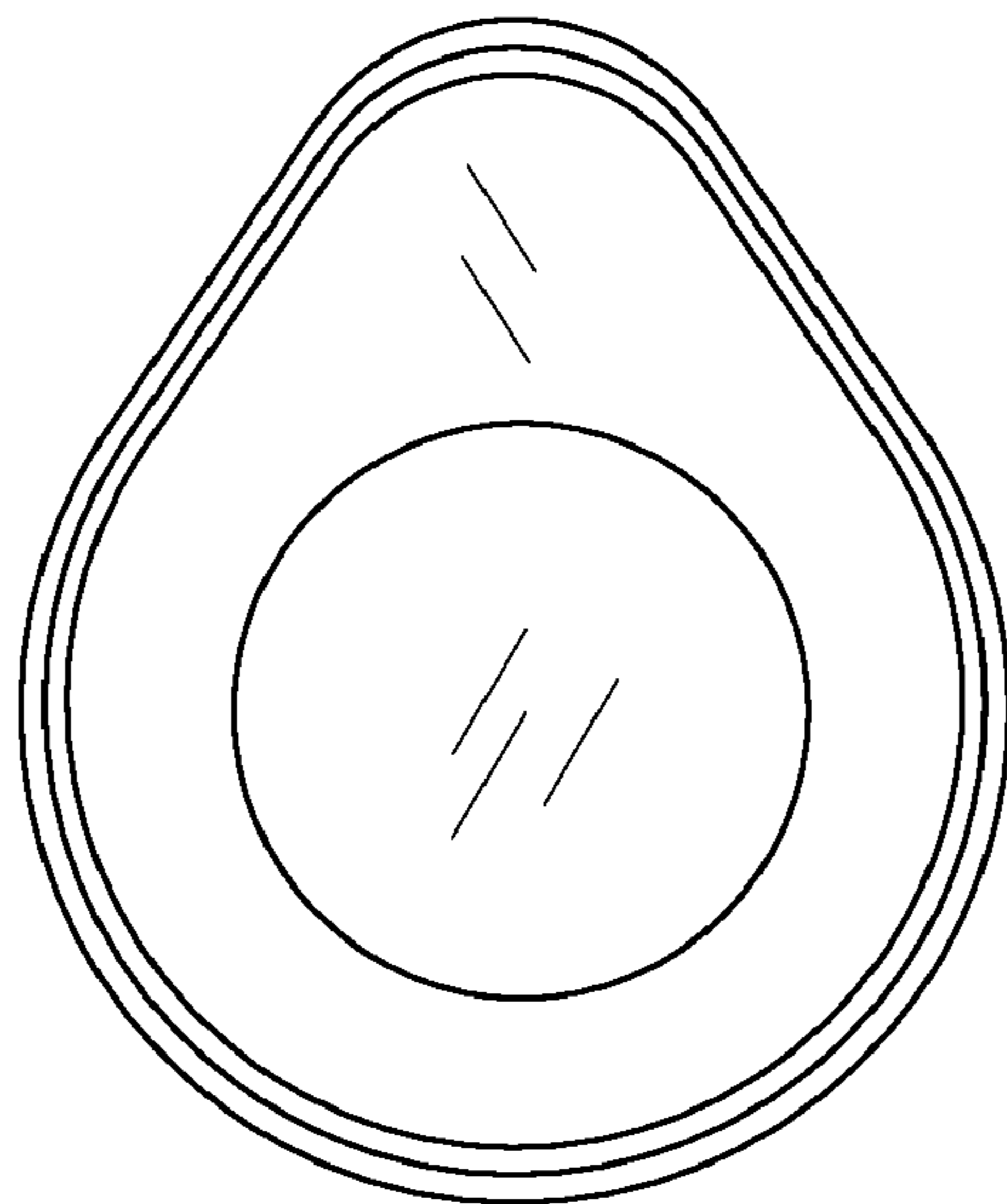


Fig. 3

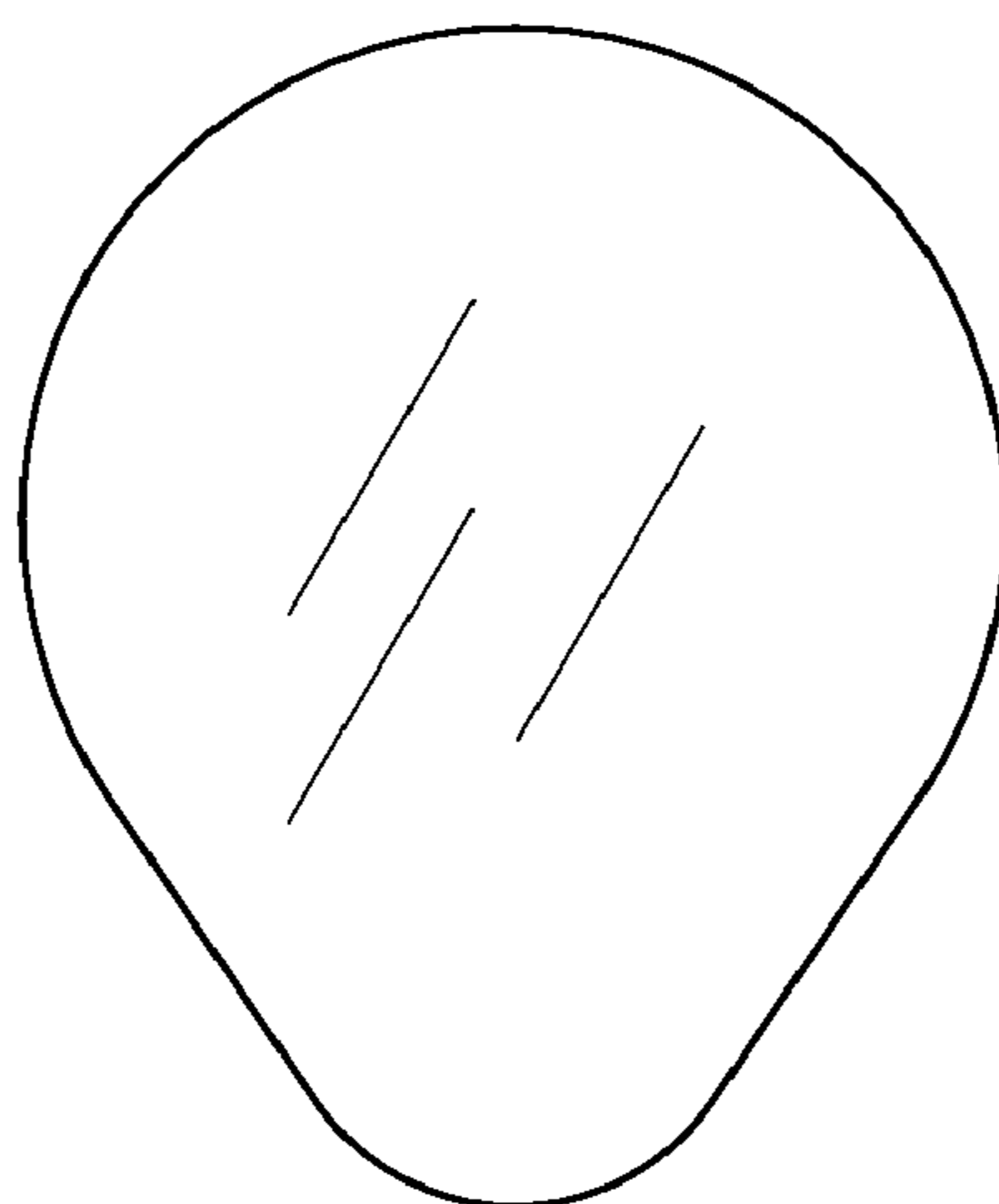


Fig. 4

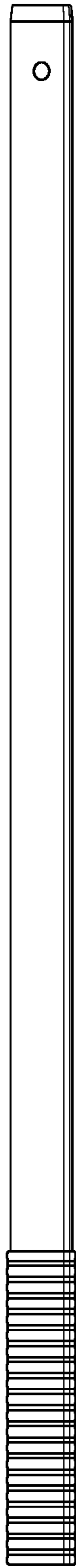


Fig. 5



Fig. 6

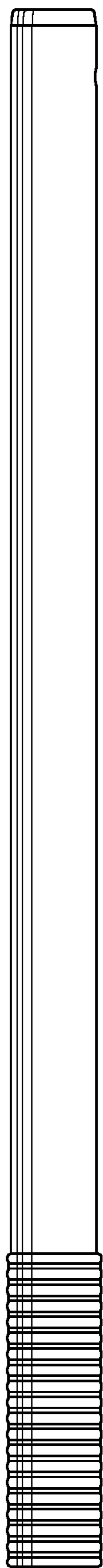


Fig. 7



Fig. 8