



US00D670150S

(12) **United States Design Patent**
Angel et al.

(10) **Patent No.:** **US D670,150 S**

(45) **Date of Patent:** **** Nov. 6, 2012**

(54) **TELESCOPING HANDLE ASSEMBLY**

(75) Inventors: **Bruce A. Angel**, Stokesdale, NC (US);
David J. Rossman, Greensboro, NC
(US)

(73) Assignee: **Camco Manufacturing, Inc.**,
Greensboro, NC (US)

(**) Term: **14 Years**

(21) Appl. No.: **29/395,562**

(22) Filed: **Feb. 17, 2012**

(51) **LOC (9) Cl.** **08-01**

(52) **U.S. Cl.** **D8/107**

(58) **Field of Classification Search** D8/1, 14,
D8/107, 75; 16/110.1, 429; 294/19.3; 403/109.2,
403/109.5, 383; 15/257.7; 74/492

See application file for complete search history.

(56) **References Cited**

U.S. PATENT DOCUMENTS

576,756	A *	2/1897	Cole	7/116
1,464,353	A *	8/1923	Crinella	294/51
2,322,897	A *	6/1943	Van den Bogaerde, Jr.	119/799
2,606,050	A *	8/1952	Morris et al.	403/328
3,347,575	A *	10/1967	Morris	403/107
3,947,191	A *	3/1976	Milner, Jr.	403/334
3,987,904	A *	10/1976	Height et al.	211/105.1
4,535,645	A *	8/1985	De Bisschop et al.	74/492
4,663,796	A *	5/1987	Helling et al.	15/144.2
4,793,646	A *	12/1988	Michaud, Jr.	294/210
5,419,217	A *	5/1995	Umezawa et al.	74/567
5,515,574	A *	5/1996	Larson	16/429
5,743,577	A *	4/1998	Newman et al.	294/210
5,799,996	A *	9/1998	Fredrickson	294/51
6,142,699	A *	11/2000	Pao	403/109.5
D437,532	S *	2/2001	Petruzzelli	D8/10
6,182,539	B1 *	2/2001	Webster	81/177.2
6,254,305	B1 *	7/2001	Taylor	403/378
6,883,264	B1 *	4/2005	Gimbel	43/6
D519,820	S *	5/2006	Newman et al.	D8/107

7,673,912	B2 *	3/2010	Breining	294/210
7,886,396	B2	2/2011	Gracindo et al.	
7,921,505	B1	4/2011	Moore et al.	
D644,907	S *	9/2011	Blanchard	D8/107
D644,908	S *	9/2011	Blanchard	D8/107
D652,573	S *	1/2012	Rodriguez	D29/101.4
D653,931	S *	2/2012	Blanchard	D8/107
2004/0154525	A1 *	8/2004	Wirth et al.	116/1

OTHER PUBLICATIONS

Ref. No. 1, Telescoping Handles from Shurhold website (www.shurhold.com), Feb. 16, 2012, 1 Page.

Ref. No. 2, 2'- 4' Perfect Pole from Swobbit website (www.swobbit.com), Feb. 16, 2012, 1 Page.

* cited by examiner

Primary Examiner — Paula Greene

(74) *Attorney, Agent, or Firm* — Walter L. Beavers; Blake P. Hurt

(57) **CLAIM**

The ornamental design for a telescoping handle assembly, as shown and described.

DESCRIPTION

FIG. 1 is a front, bottom, right side perspective view of a telescoping handle assembly embodying our design;

FIG. 2 is a rear, top, left side perspective view of the design as shown in FIG. 1;

FIG. 3 is a top plan view of the design as shown in FIG. 1;

FIG. 4 is a bottom plan view of the design as shown in FIG. 1;

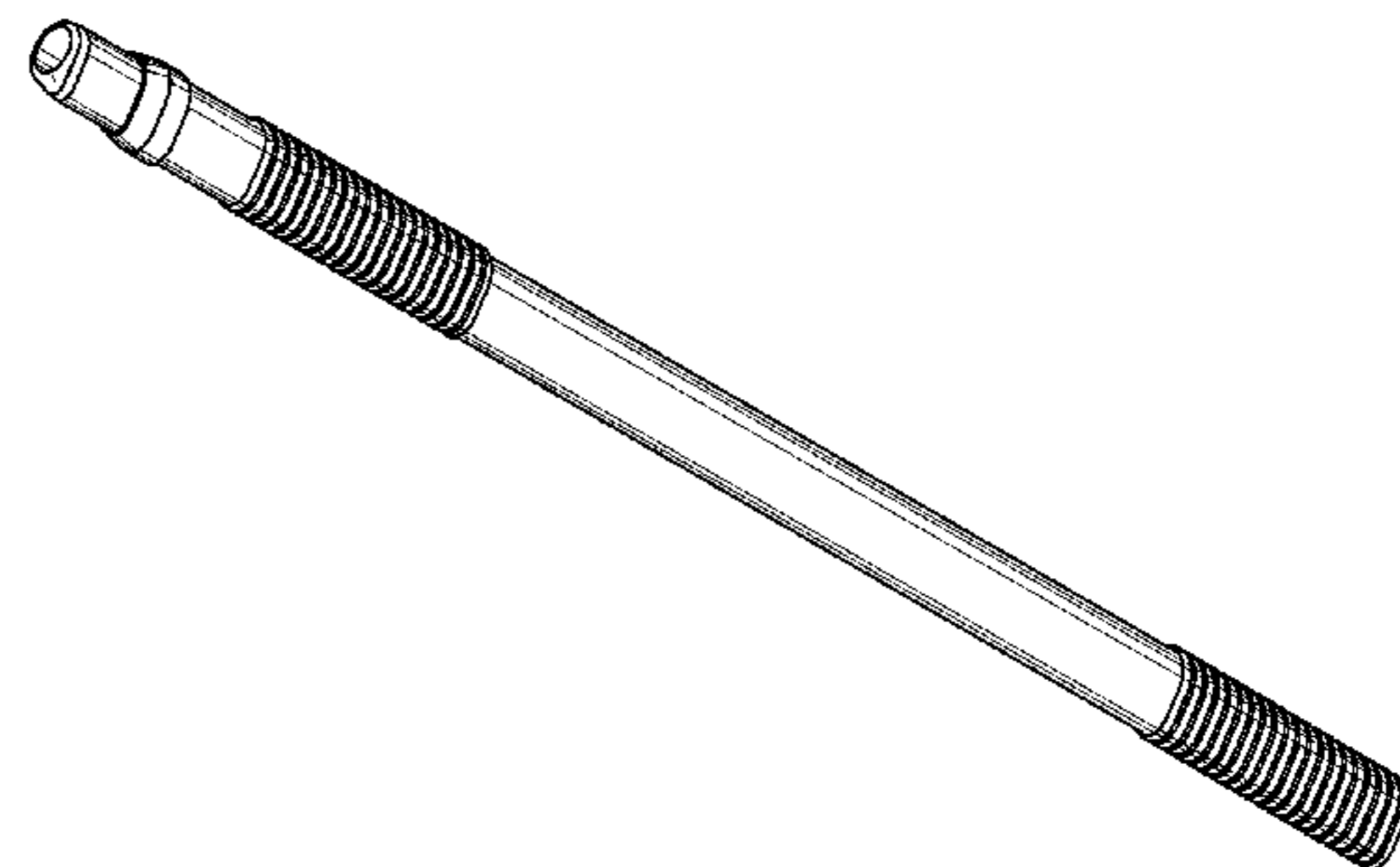
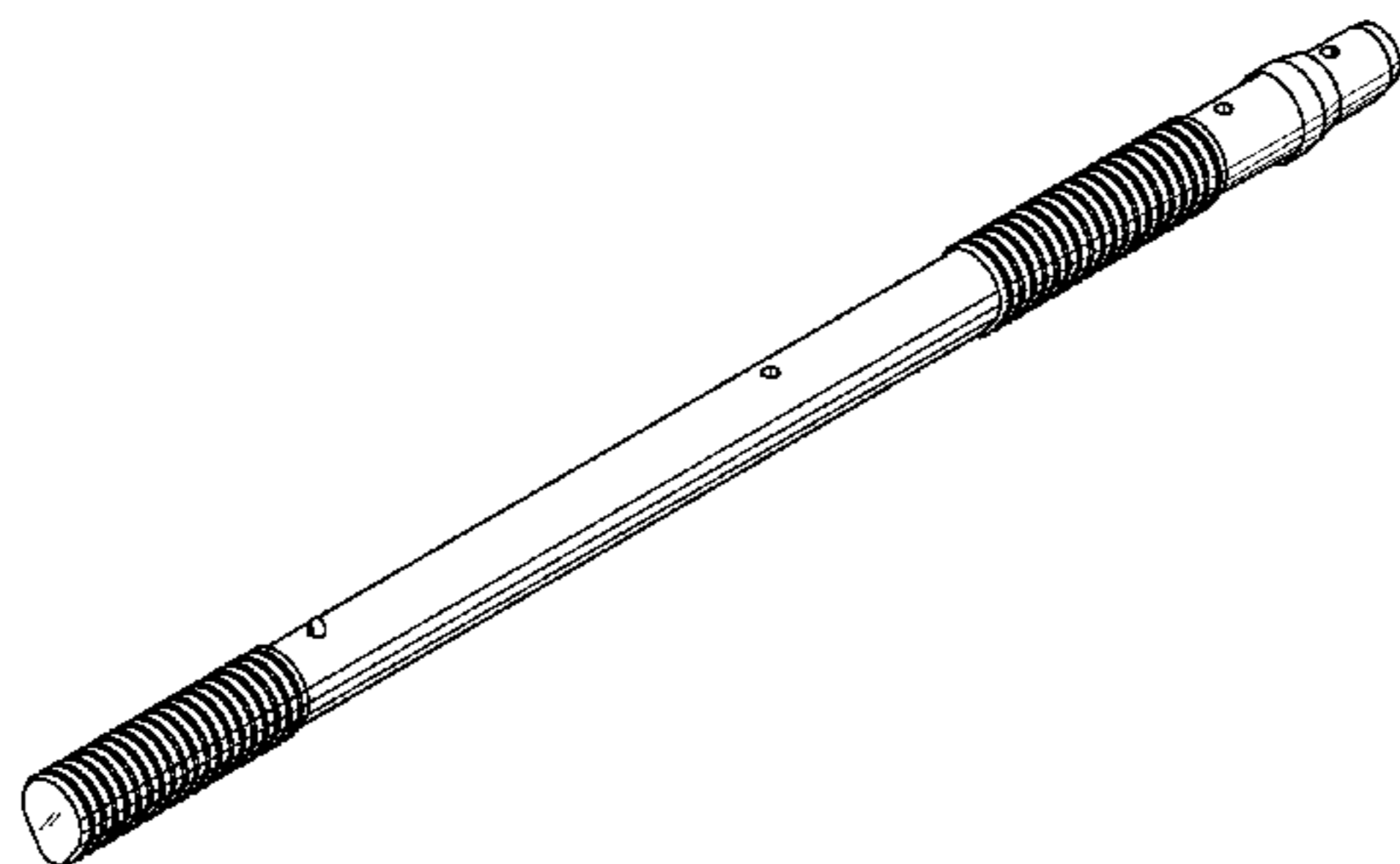
FIG. 5 is a front elevational view of the design as shown in FIG. 1;

FIG. 6 is a rear elevational view of the design as shown in FIG. 5;

FIG. 7 is a left side elevational view of the design as shown in FIG. 5; and,

FIG. 8 is a right side elevational view of the design as shown in FIG. 5.

1 Claim, 4 Drawing Sheets



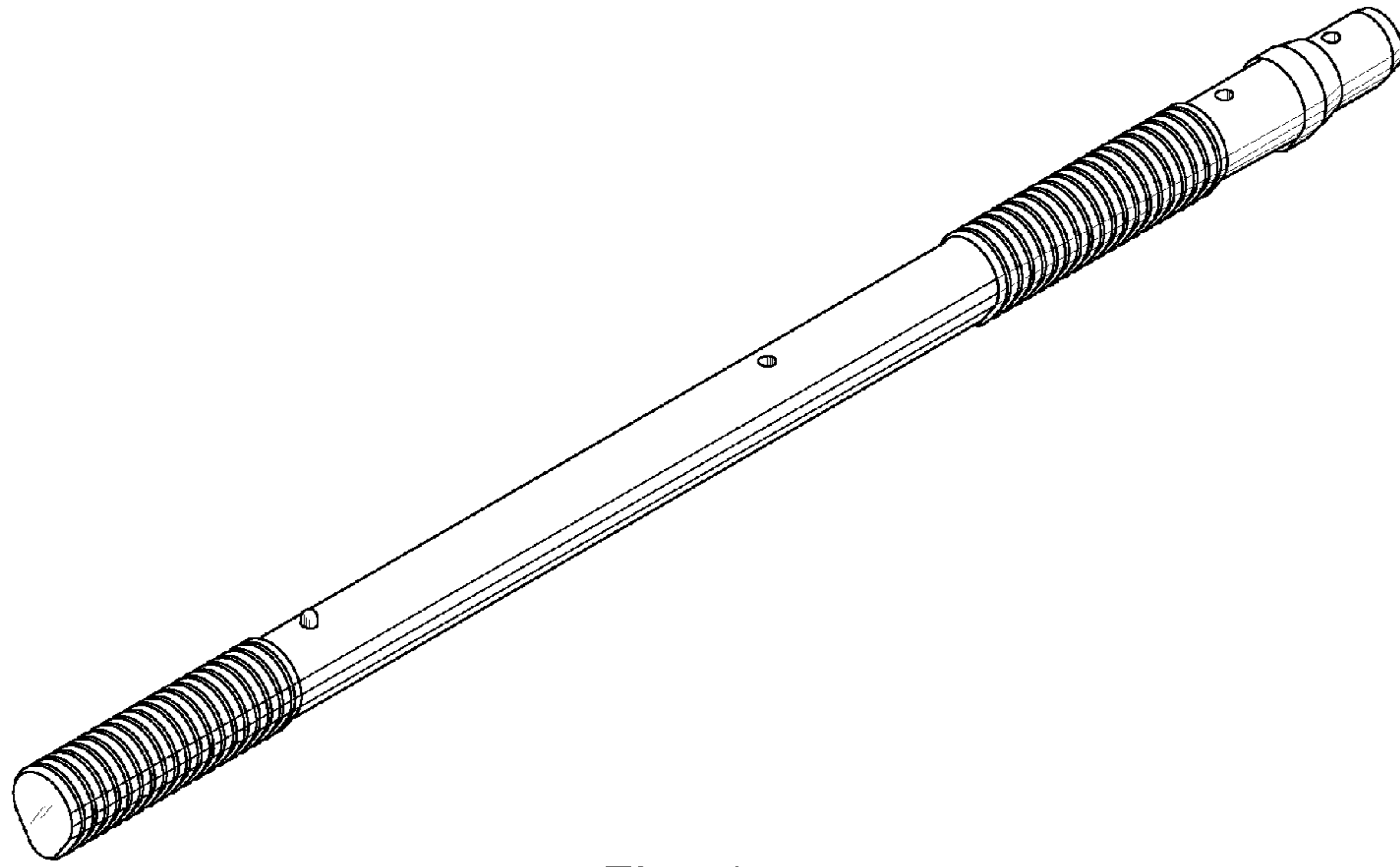


Fig. 1

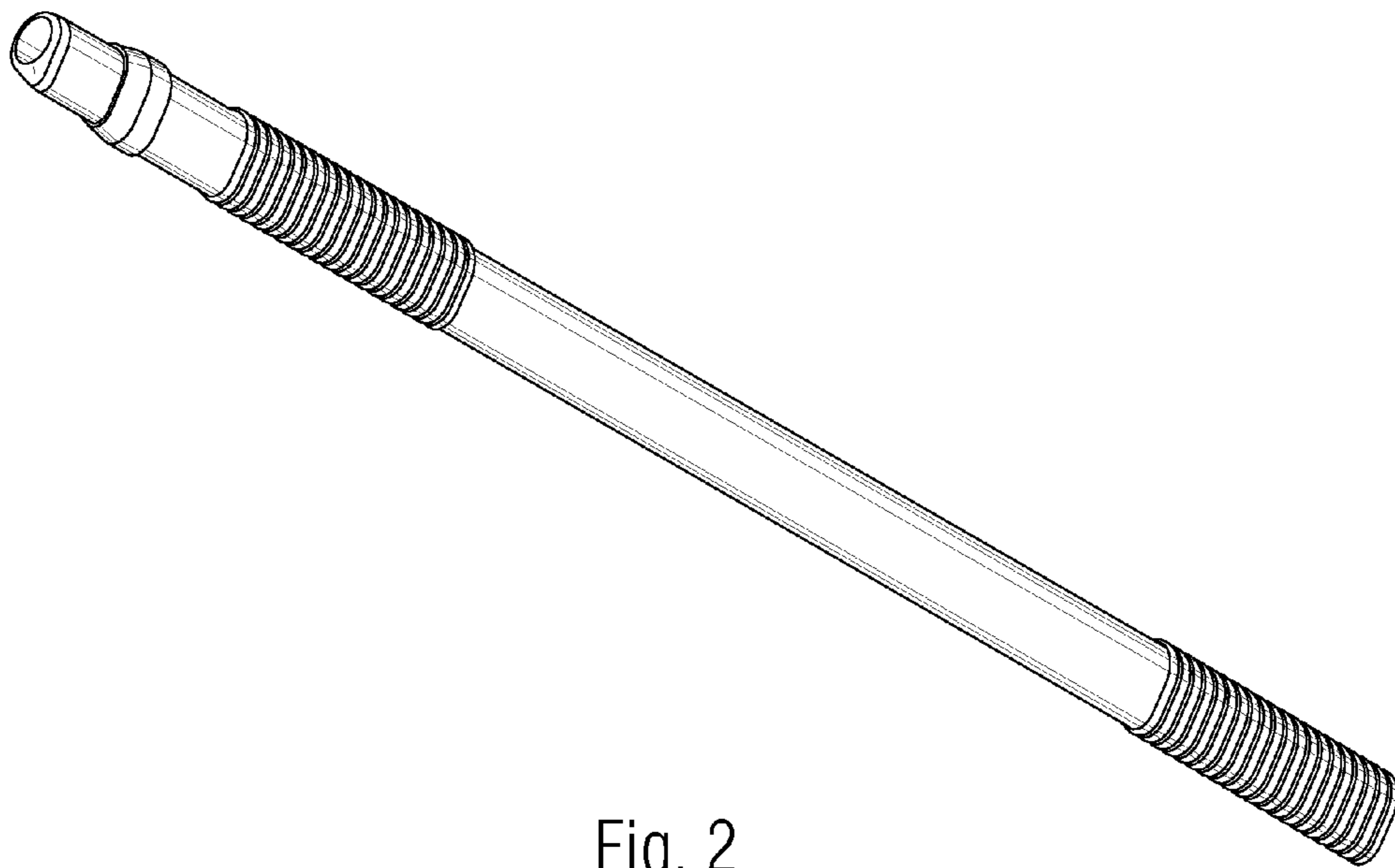


Fig. 2

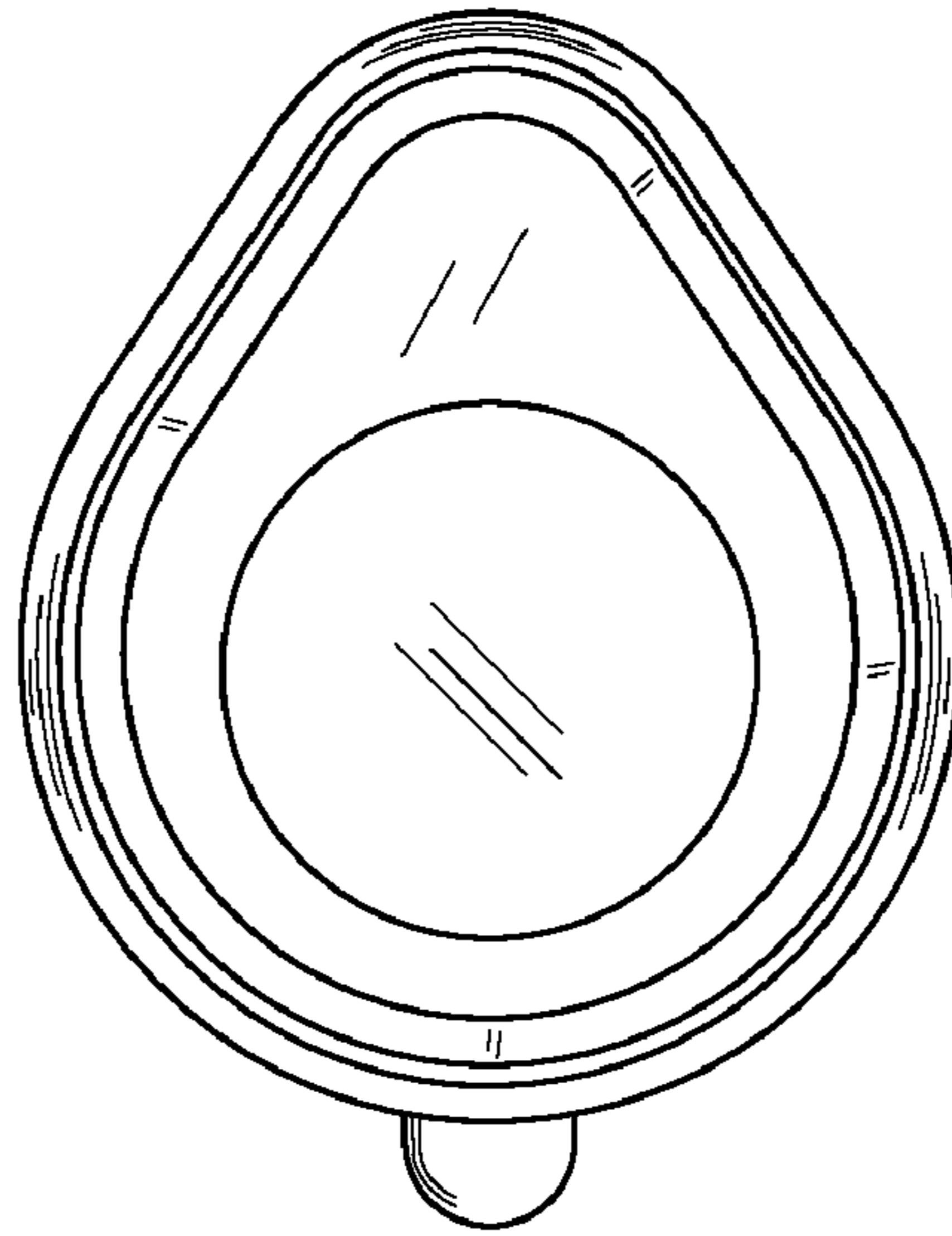


Fig. 3

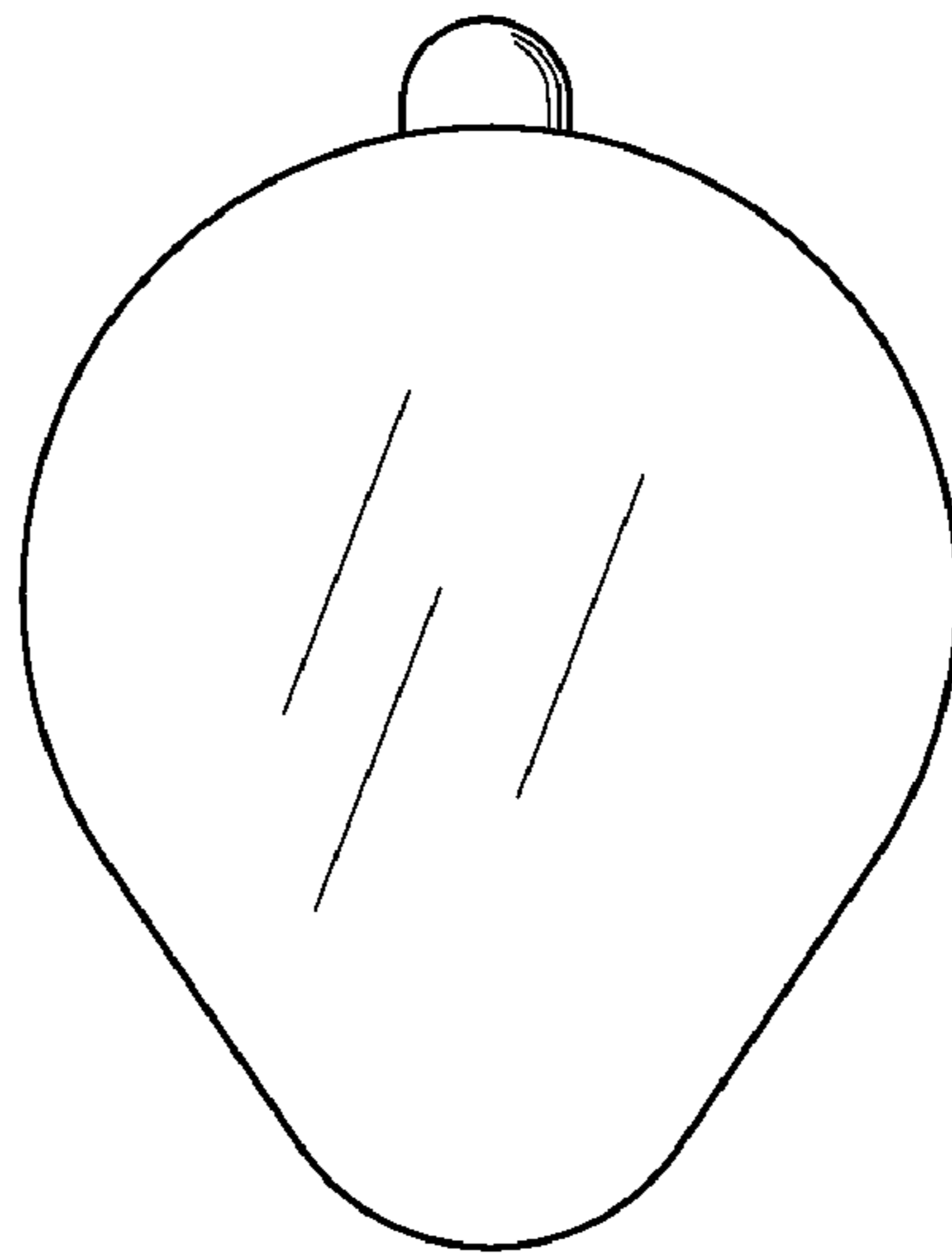


Fig. 4

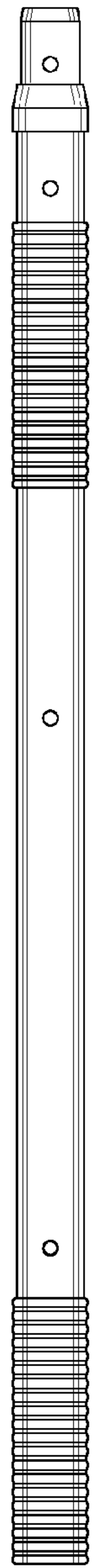


Fig. 5



Fig. 6

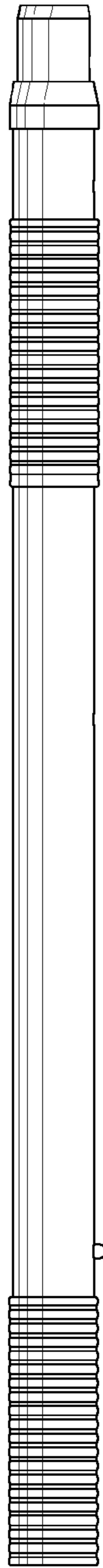


Fig. 7

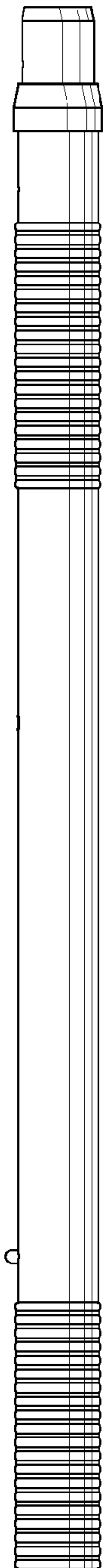


Fig. 8