



US00D670148S

(12) **United States Design Patent**
Wang

(10) **Patent No.:** **US D670,148 S**

(45) **Date of Patent:** **** Nov. 6, 2012**

(54) **MULTIPLE-ANGLE TRANSMISSION TOOL**

(76) Inventor: **Ching-Yi Wang**, Taichung (TW)

(**) Term: **14 Years**

(21) Appl. No.: **29/389,600**

(22) Filed: **Apr. 14, 2011**

(51) **LOC (9) Cl.** **08-05**

(52) **U.S. Cl.** **D8/70**

(58) **Field of Classification Search** D8/70;
81/57.13, 57.26, 57.29, 177; 74/396, 412 R,
74/417; 464/109; 408/124, 127, 131; 173/213,
173/216

See application file for complete search history.

7,207,233 B2 * 4/2007 Wadge 74/412 R
7,475,740 B2 * 1/2009 Kozina et al. 173/216
7,861,796 B2 * 1/2011 DeCicco et al. 173/1
D633,768 S * 3/2011 Adkins D8/70
2008/0003070 A1 * 1/2008 Hor 408/124
2011/0005359 A1 * 1/2011 Su 81/177.7

* cited by examiner

Primary Examiner — Philip S Hyder

Assistant Examiner — John T Applewhite

(74) *Attorney, Agent, or Firm* — Che-Yang Chen; Law
Office of Michael Chen

(57) **CLAIM**

The ornamental design for a multiple-angle transmission
tool, as shown and described.

(56) **References Cited**

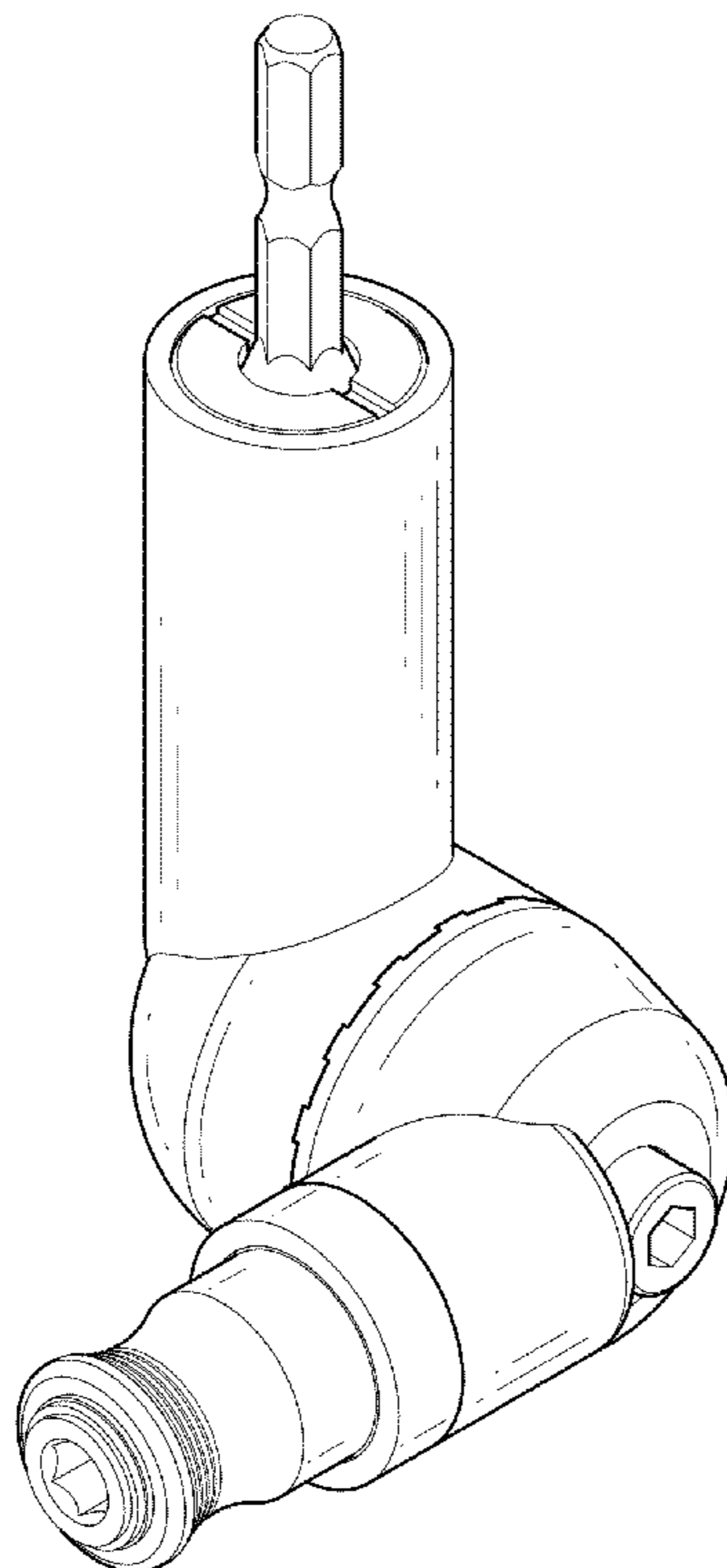
U.S. PATENT DOCUMENTS

| | | | | | |
|-----------|------|---------|---------------|-------|----------|
| D132,913 | S * | 6/1942 | Koett | | D8/70 |
| 2,348,266 | A * | 5/1944 | Selby | | 74/417 |
| 2,604,795 | A * | 7/1952 | Ristow | | 74/417 |
| 4,296,654 | A * | 10/1981 | Mercer | | 81/57.26 |
| RE32,415 | E * | 5/1987 | Grech | | 464/109 |
| 5,188,189 | A * | 2/1993 | Hummel | | 173/213 |
| 6,125,721 | A * | 10/2000 | Yang | | 81/57.29 |
| 6,352,127 | B1 * | 3/2002 | Yorde | | 173/216 |
| 6,352,394 | B1 * | 3/2002 | Lawson et al. | | 408/127 |
| 6,463,824 | B1 * | 10/2002 | Prell et al. | | 74/417 |
| D510,851 | S * | 10/2005 | Badiali | | D8/70 |
| 7,191,677 | B2 * | 3/2007 | Barkdoll | | 74/396 |

DESCRIPTION

FIG. 1 is a perspective view of a multiple-angle transmission
tool showing my new design;
FIG. 2 is a front view of the embodiment shown in FIG. 1;
FIG. 3 is a rear view of the embodiment shown in FIG. 1;
FIG. 4 is a left side view of the embodiment shown in FIG. 1;
FIG. 5 is a right side view of the embodiment shown in FIG.
1;
FIG. 6 is a top view of the embodiment shown in FIG. 1; and,
FIG. 7 is a bottom view of the embodiment shown in FIG. 1.

1 Claim, 4 Drawing Sheets



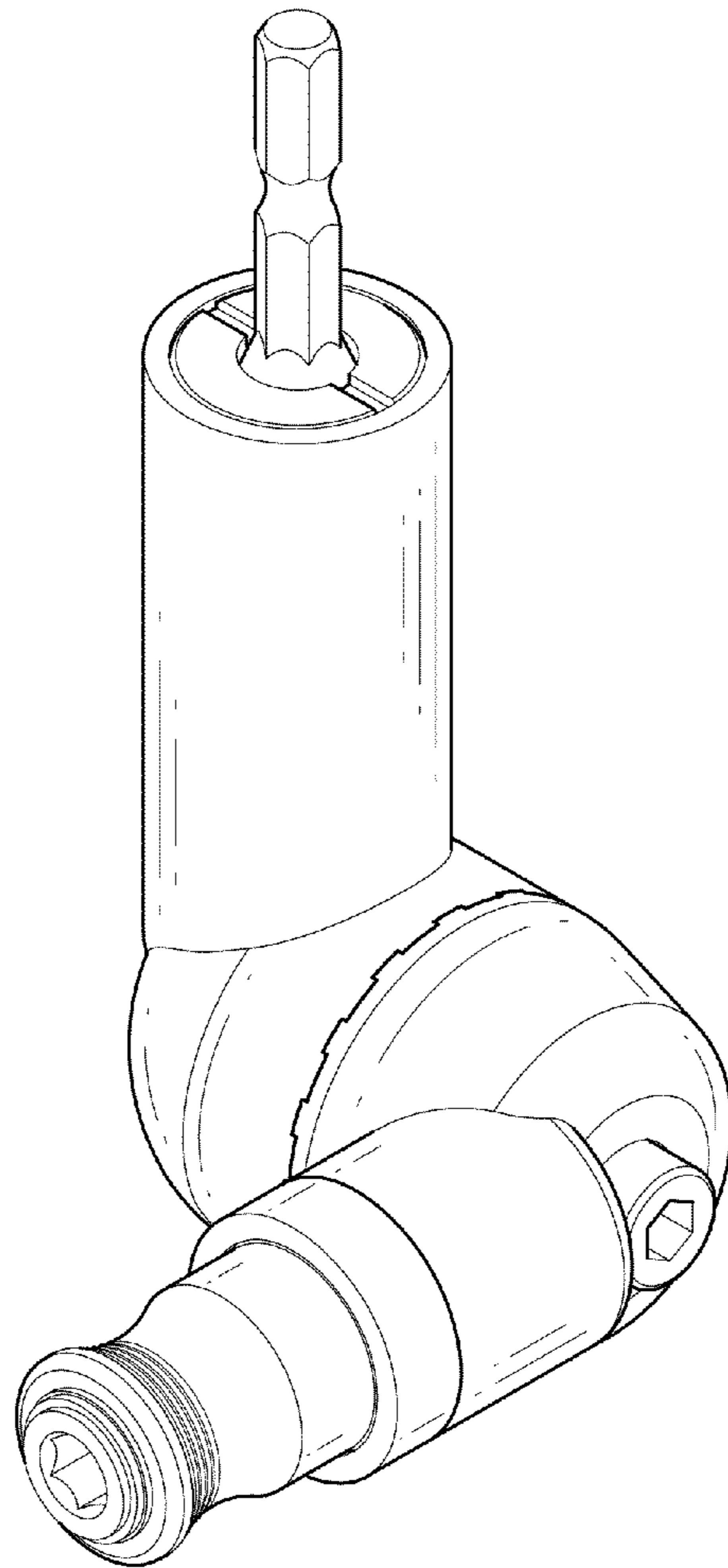


FIG. 1

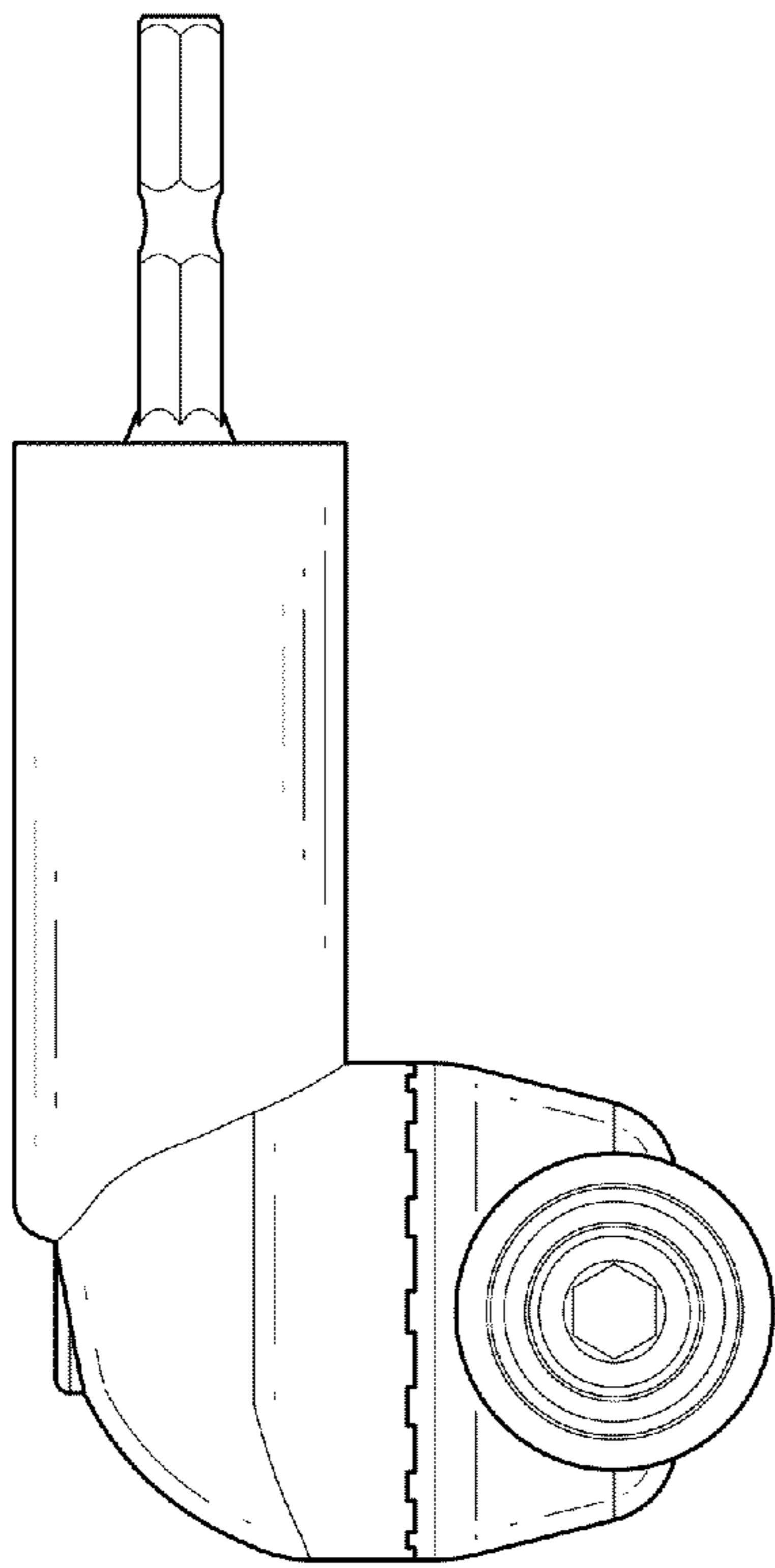


FIG. 2

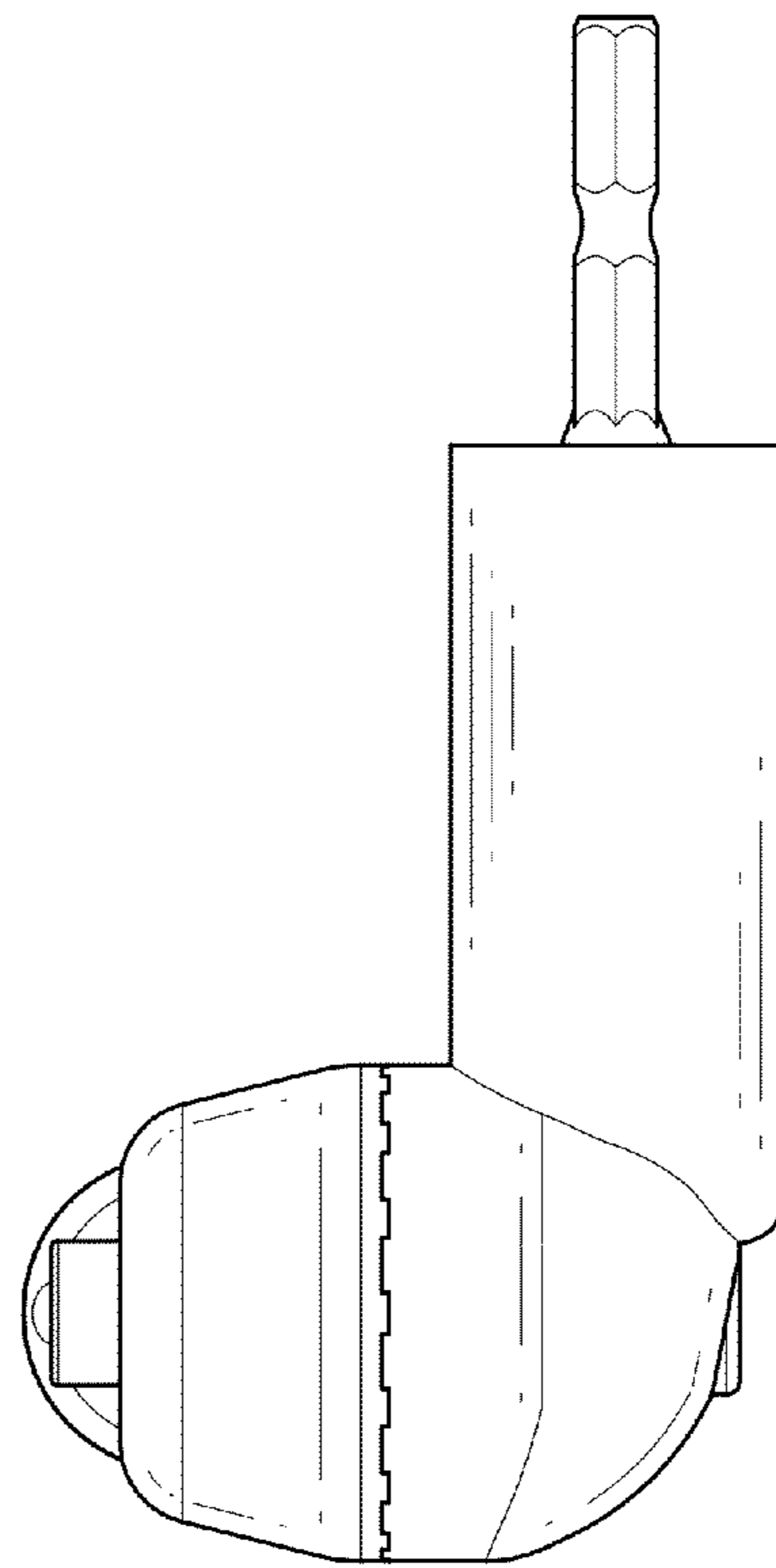


FIG. 3

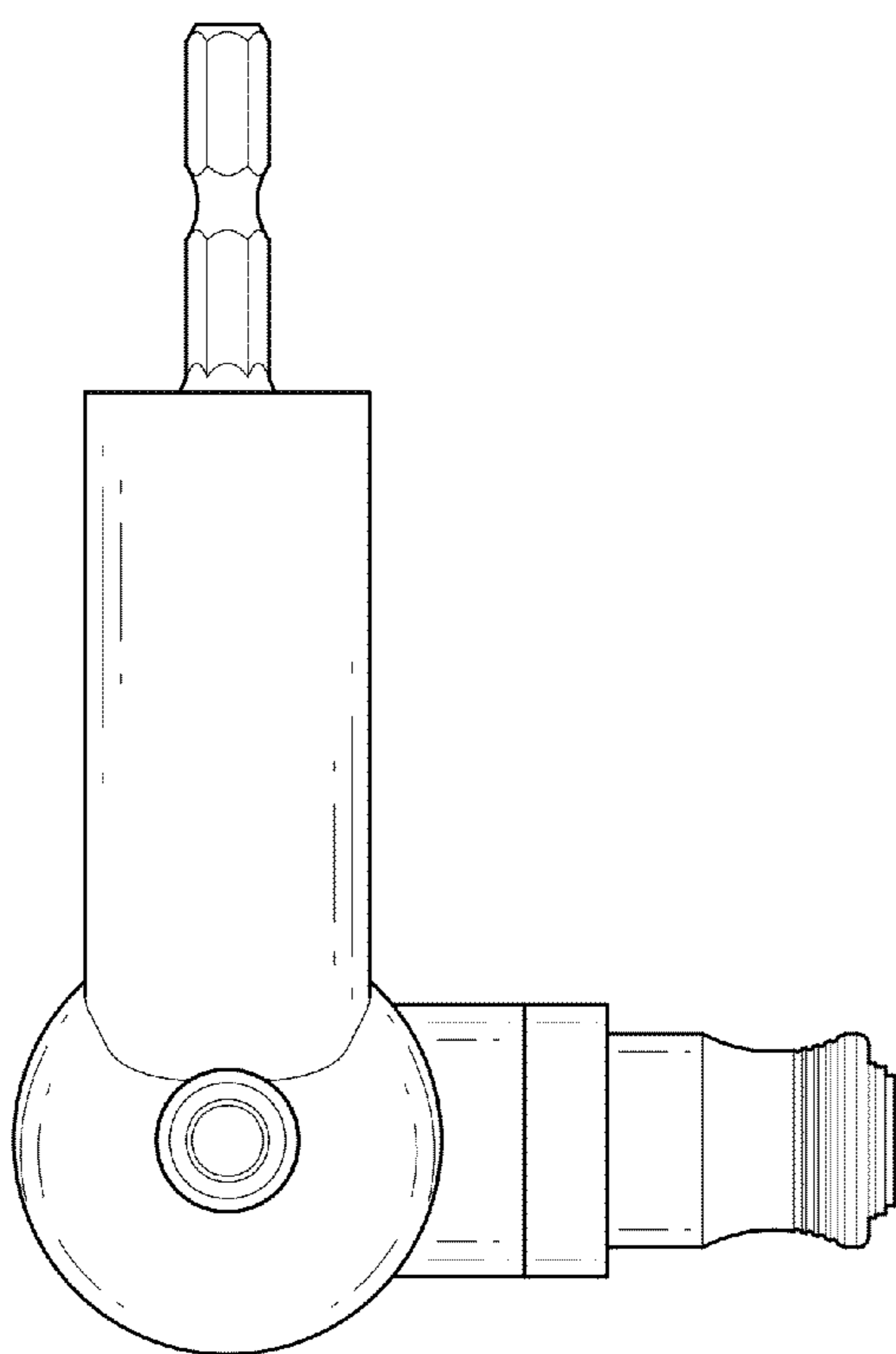


FIG. 4

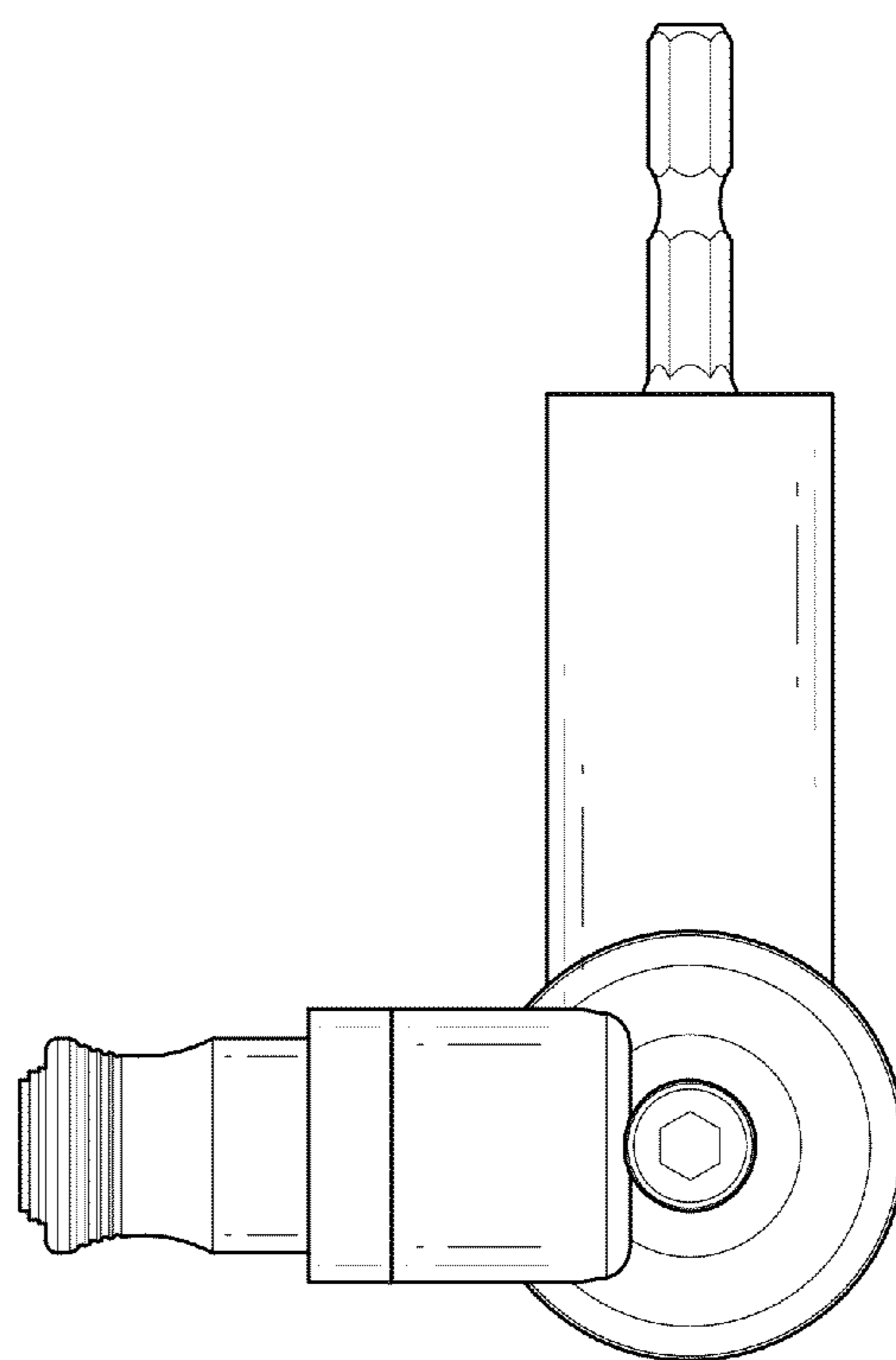


FIG. 5

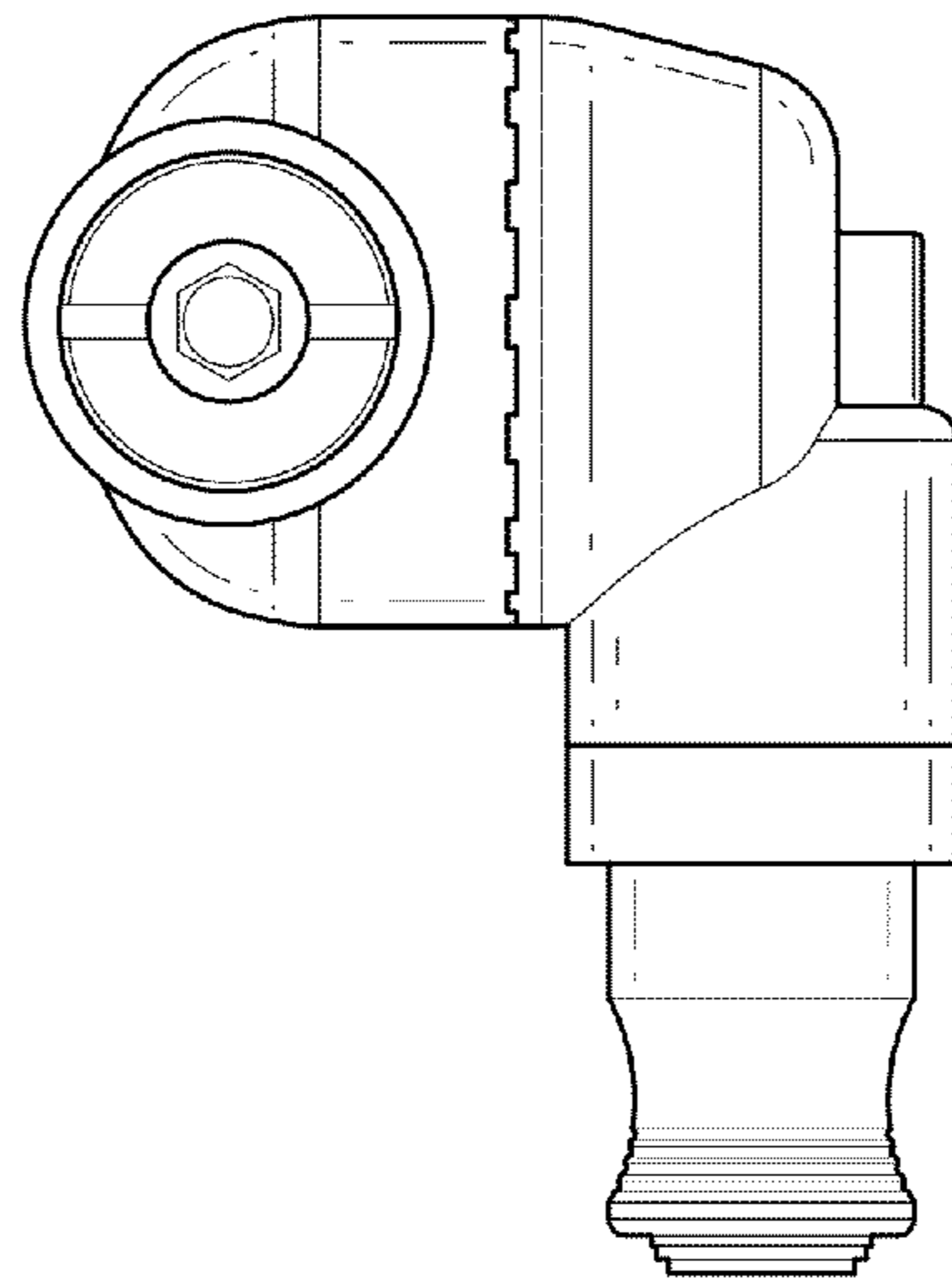


FIG. 6

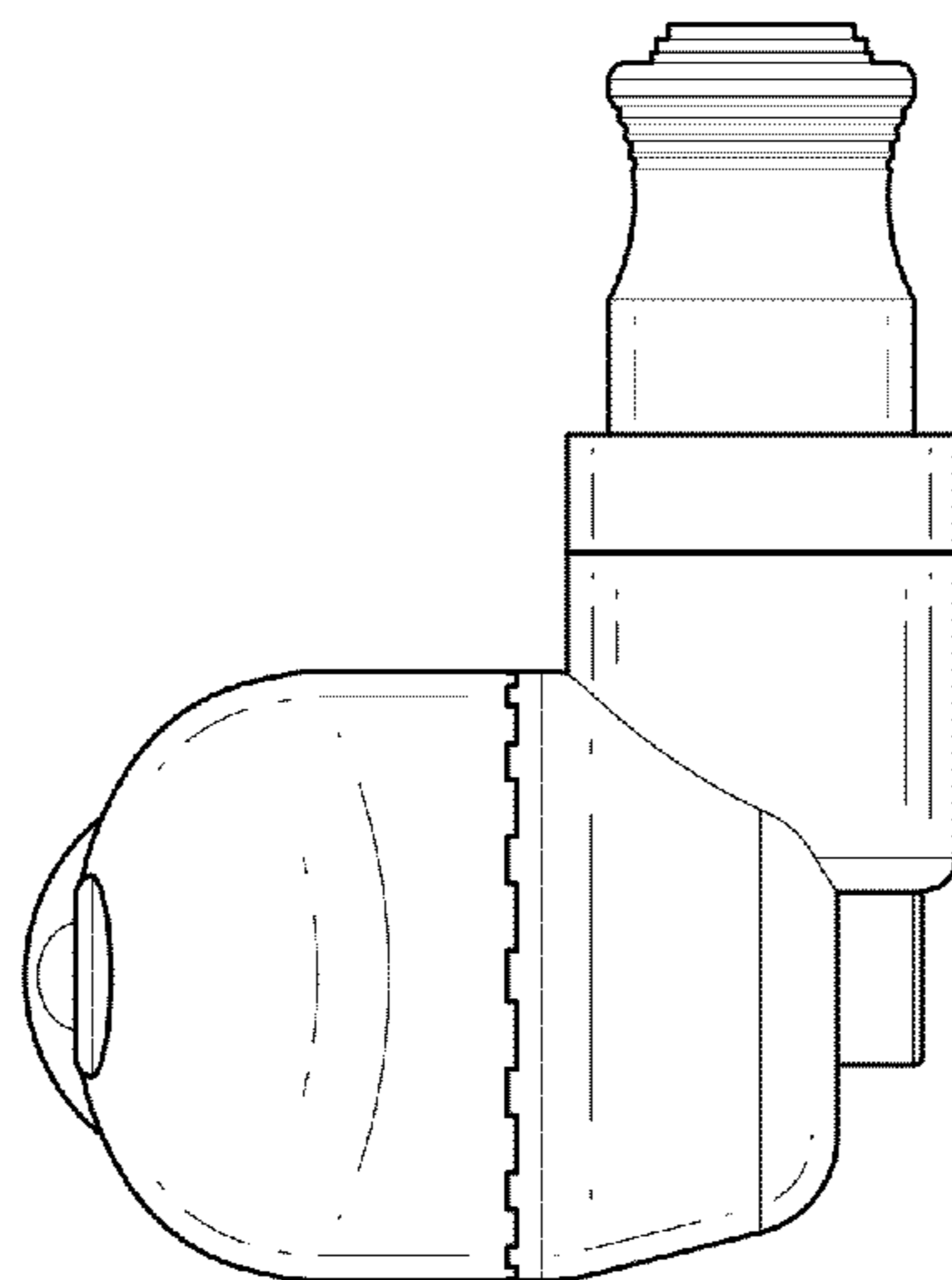


FIG. 7