



US00D670147S

(12) **United States Design Patent**
Willard et al.

(10) **Patent No.:** **US D670,147 S**
(45) **Date of Patent:** **** Nov. 6, 2012**

(54) **COAXIAL CABLE CONNECTOR
INSTALLATION TOOL**

(75) Inventors: **Matt Willard**, Oliver Branch, MS (US);
Paul Bartholomew, Somerville, TN
(US); **Mathieu Turpault**, Berwyn, PA
(US)

(73) Assignee: **Belden Inc.**, St. Louis, MO (US)

(**) Term: **14 Years**

(21) Appl. No.: **29/414,974**

(22) Filed: **Mar. 6, 2012**

Related U.S. Application Data

(63) Continuation of application No. 29/372,012, filed on
Oct. 1, 2010, now Pat. No. Des. 655,591.

(51) **LOC (9) Cl.** **08-05**

(52) **U.S. Cl.** **D8/56**

(58) **Field of Classification Search** D8/99,
D8/98, 93, 63, 61, 58, 57, 56, 55, 53, 5, 107,
D8/104, 105, 52, 51, 29.1; D24/148, 149;
D21/532; 7/106, 107; 81/427.5, 9.44, 9.43;
30/90.1, 90.6

See application file for complete search history.

(56) **References Cited**

U.S. PATENT DOCUMENTS

3,781,932	A	1/1974	Baker et al.	
4,379,665	A	4/1983	Hendershot et al.	
4,932,091	A	6/1990	Krzyzanski	
4,980,962	A	1/1991	Wiebe	
5,109,591	A	5/1992	Hung	
5,724,871	A	3/1998	Wall	
5,743,131	A	4/1998	Holliday et al.	
5,934,137	A	8/1999	Tarpill	
5,992,002	A	11/1999	Hung	
6,230,387	B1	5/2001	Gritters et al.	
6,427,275	B1	8/2002	Hung	
6,591,487	B2 *	7/2003	Chang	29/751
6,671,944	B2	1/2004	Holliday et al.	

6,820,326	B1	11/2004	Tarpill et al.	
6,948,234	B1	9/2005	Steiner	
7,120,997	B2	10/2006	Islam et al.	
7,188,507	B2	3/2007	Holliday et al.	
7,210,327	B1	5/2007	Tarpill et al.	
7,216,431	B2	5/2007	Holliday et al.	
D594,722	S	6/2009	Hedrick et al.	
7,596,860	B2	10/2009	Sutter et al.	
7,797,827	B2 *	9/2010	Sutter	29/861
D625,980	S	10/2010	Liu	
7,979,980	B2	7/2011	Westley et al.	
D655,591	S *	3/2012	Willard et al.	D8/56
D660,677	S *	5/2012	Sutter	D8/105
2010/0071528	A1	3/2010	Viereck et al.	
2012/0079663	A1 *	4/2012	Willard et al.	7/107

OTHER PUBLICATIONS

Website [http://www.datasharktools.com/view_tool.php?id=535
&pid=263](http://www.datasharktools.com/view_tool.php?id=535&pid=263), dated Sep. 30, 2010, 2 pages.

* cited by examiner

Primary Examiner — Austin Murphy

(74) *Attorney, Agent, or Firm* — Foley & Lardner LLP

(57) **CLAIM**

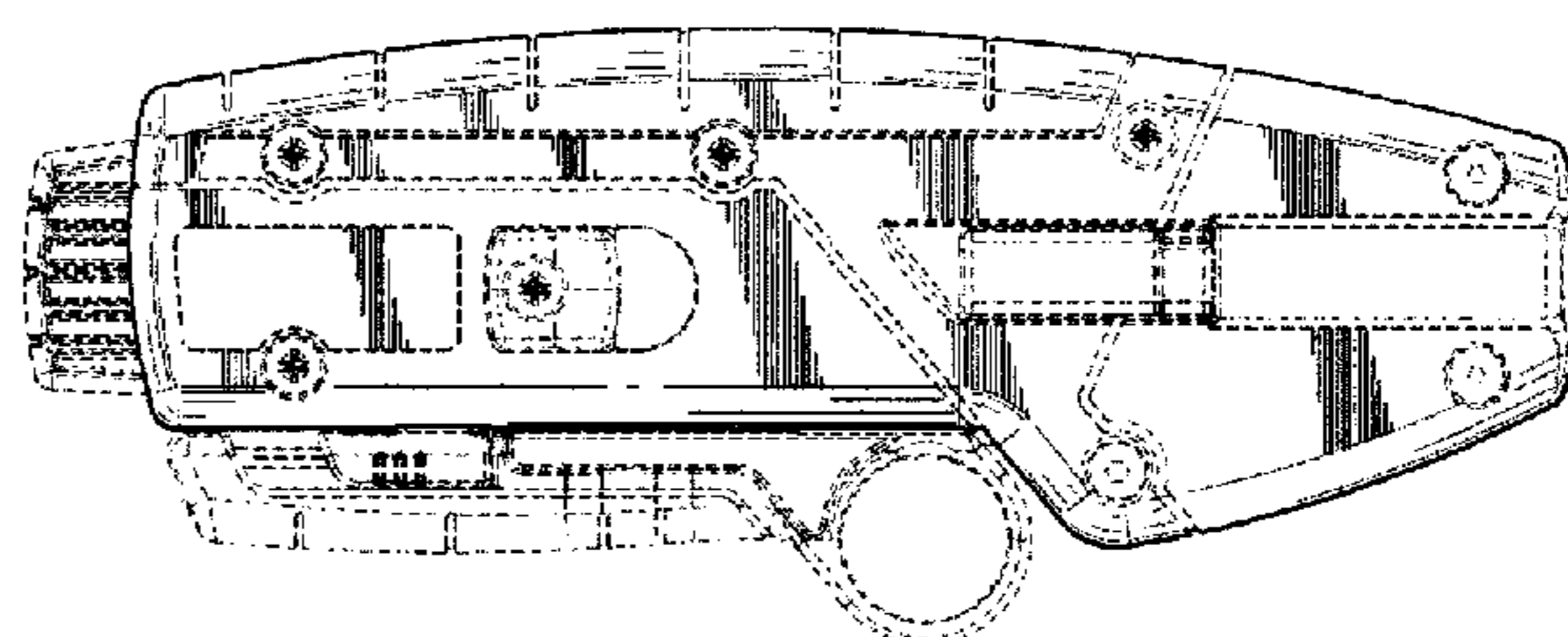
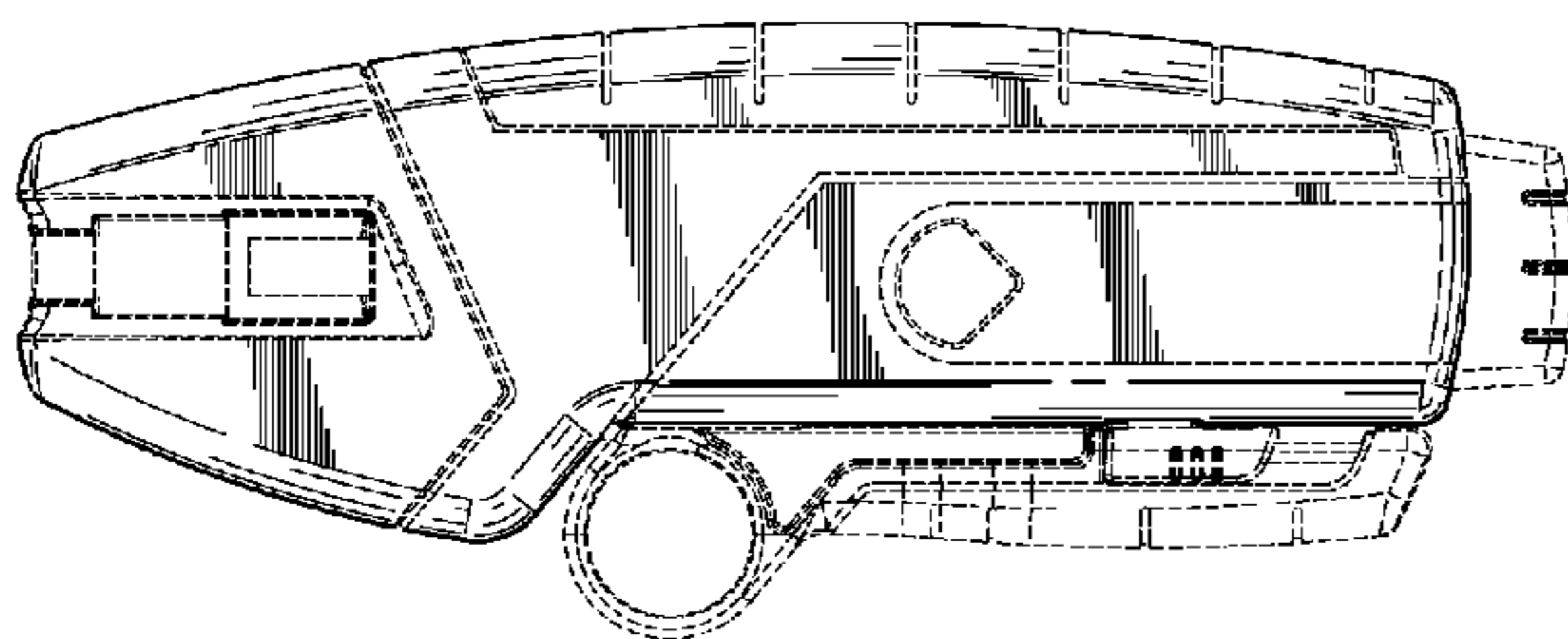
We claim the ornamental design for the coaxial cable connector installation tool, as shown and described.

DESCRIPTION

FIG. 1 is a front perspective view of the coaxial cable connector installation tool of the present invention; FIG. 2 is a rear perspective view thereof; FIG. 3 is a side elevation view thereof; FIG. 4 is a rear elevation view thereof; FIG. 5 is a side elevation view thereof; FIG. 6 is a front elevation view thereof; FIG. 7 is a top plan view thereof; and, FIG. 8 is a bottom plan view thereof.

The broken lines shown in the drawings represent unclaimed portions of the coaxial cable connector installation tool and form no part of the claimed design.

1 Claim, 5 Drawing Sheets



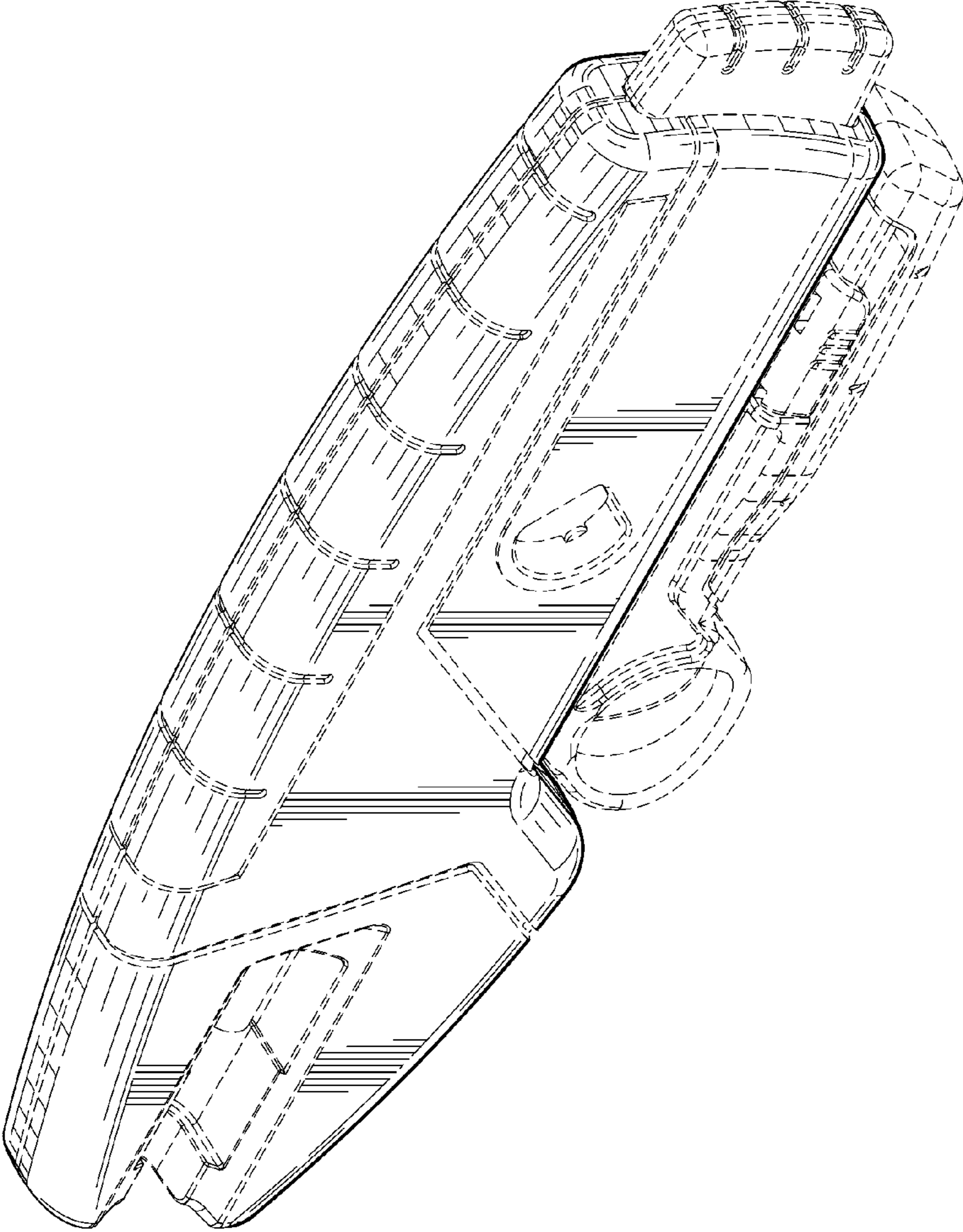


FIG. 1

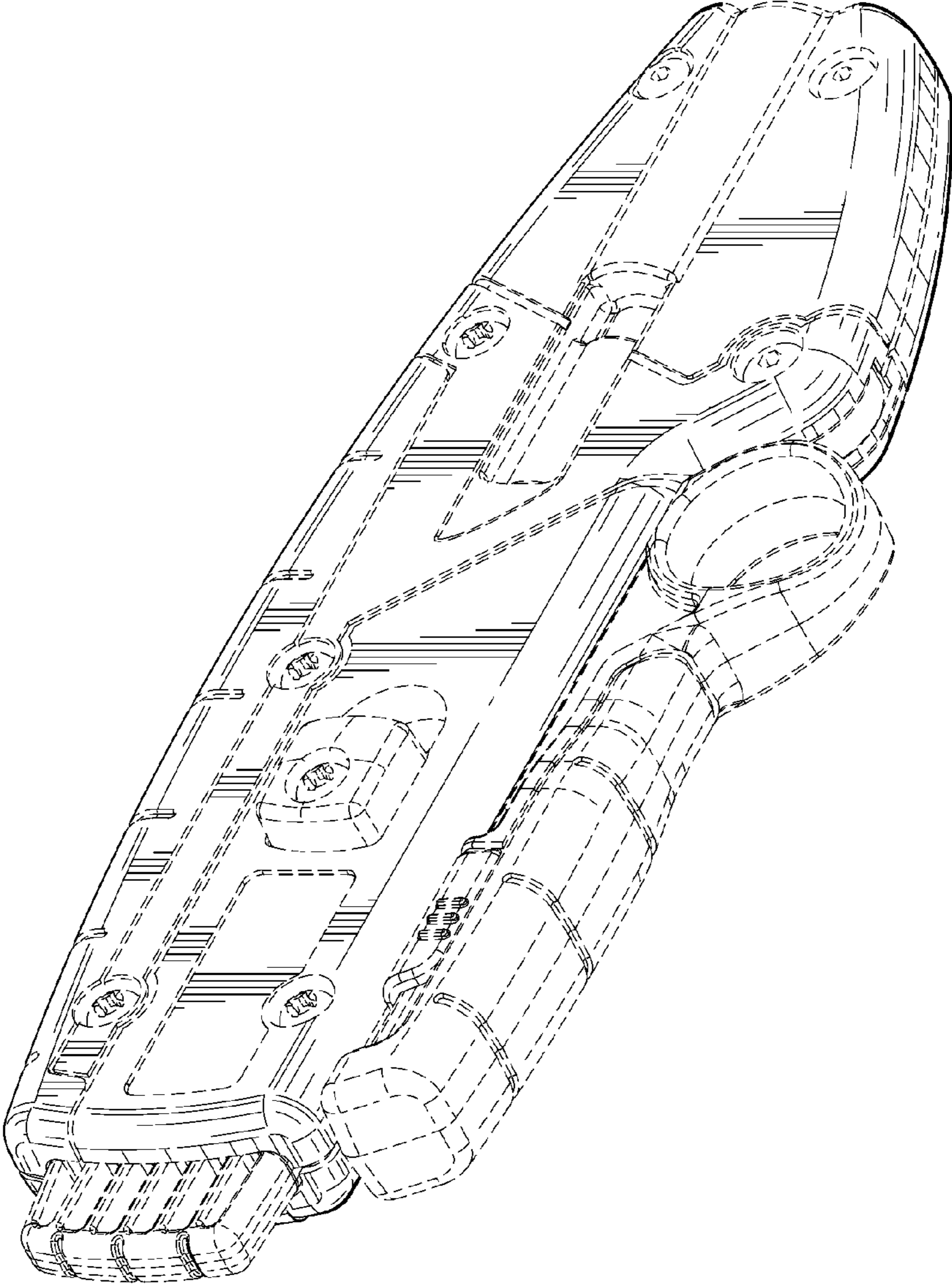


FIG. 2

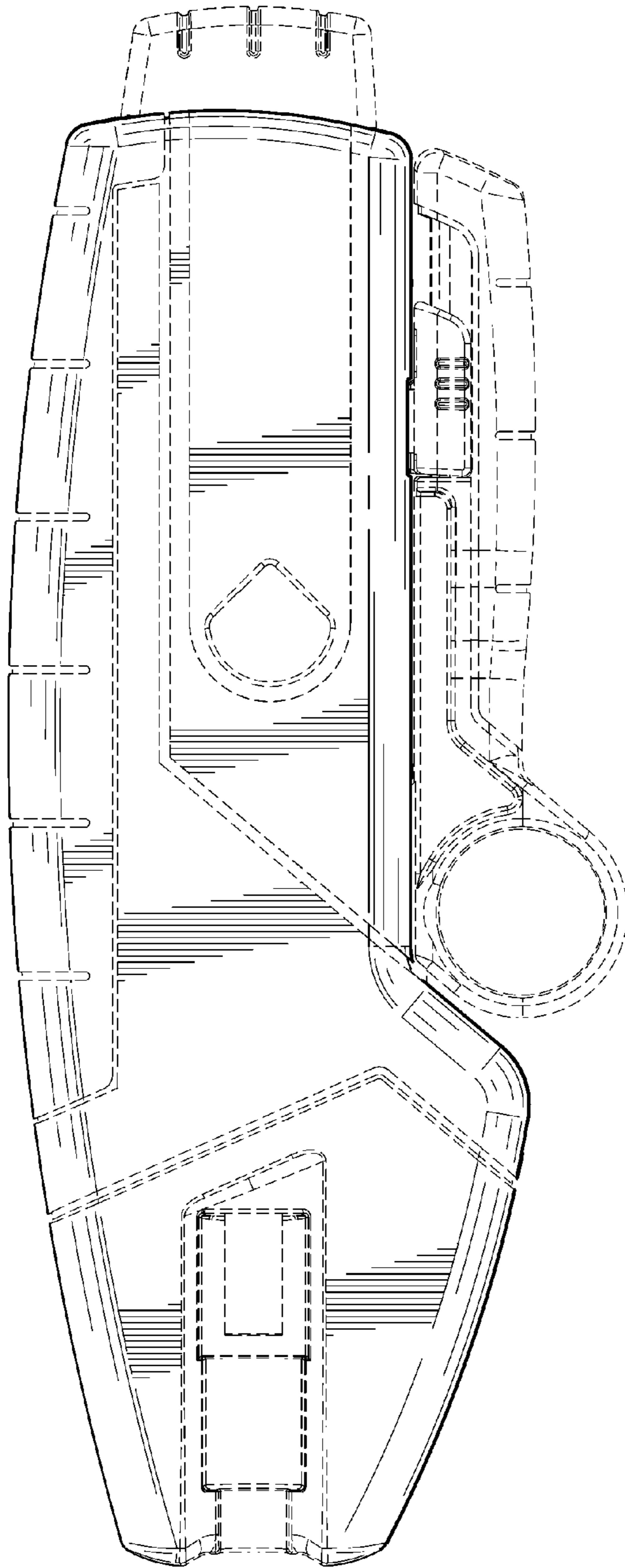


FIG. 3

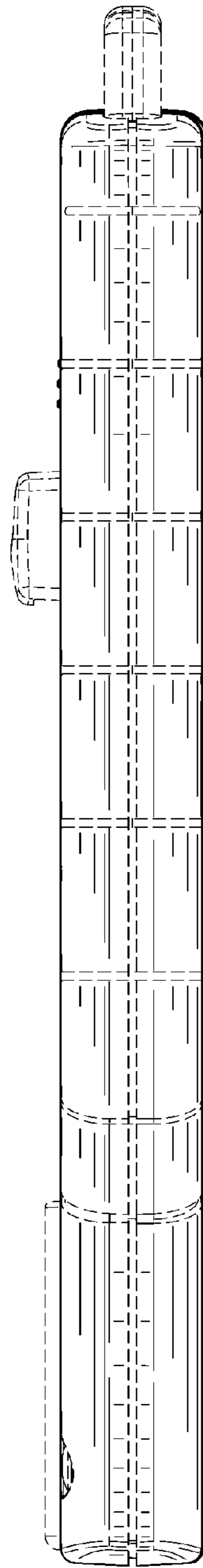


FIG. 7

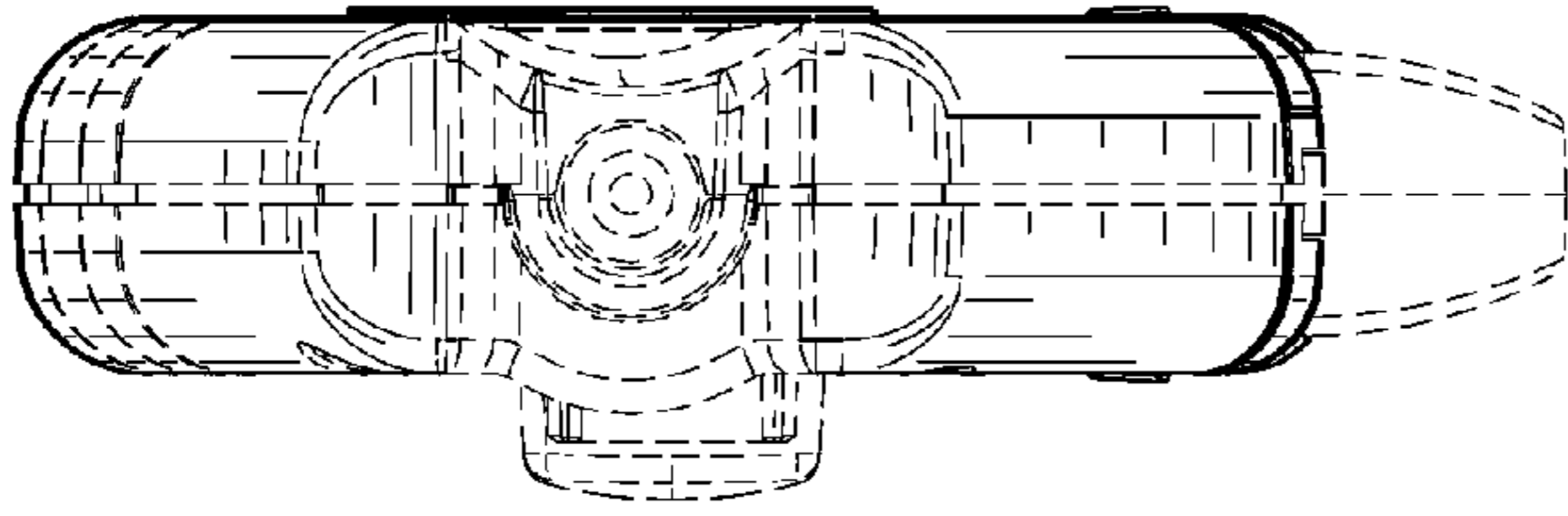


FIG. 4

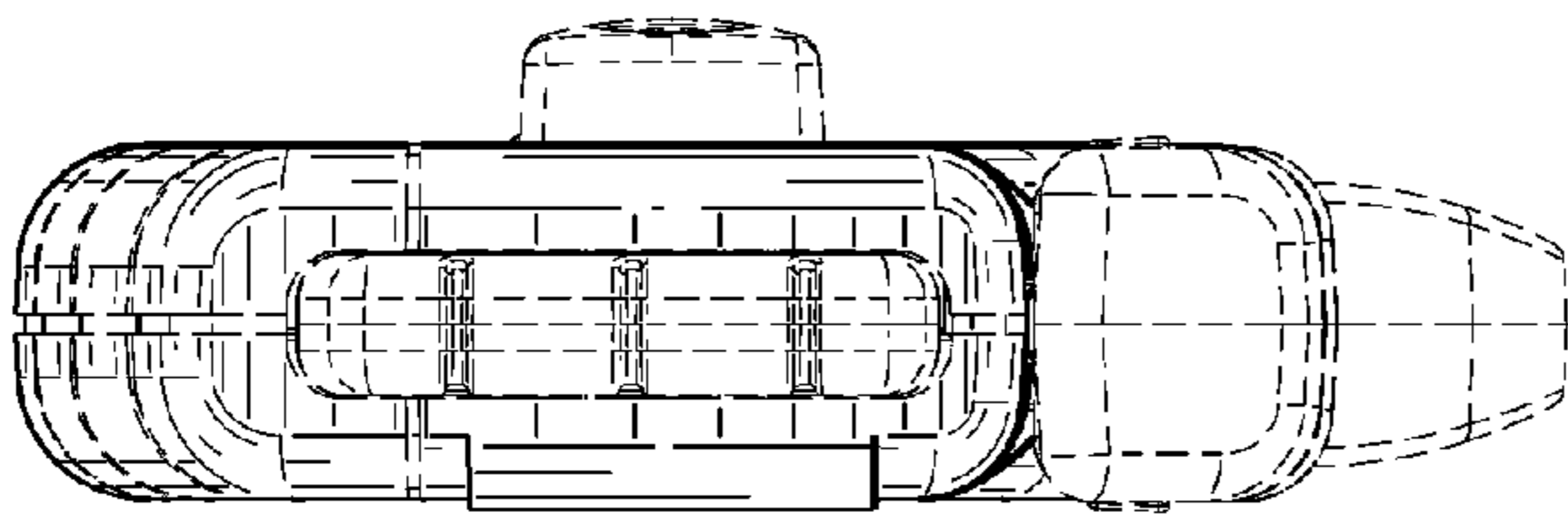


FIG. 6

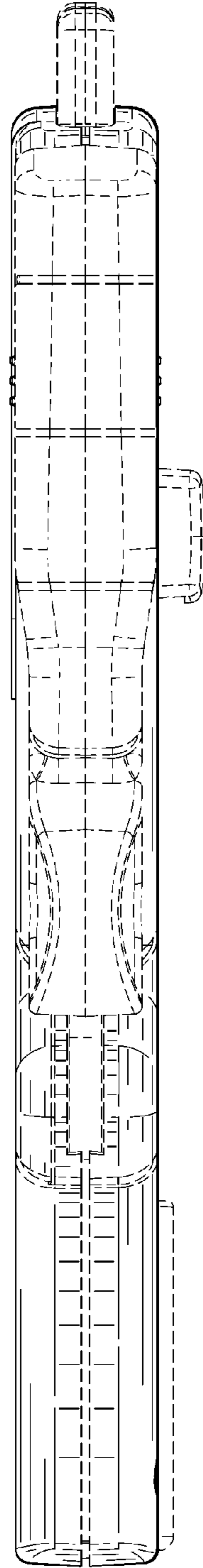


FIG. 8

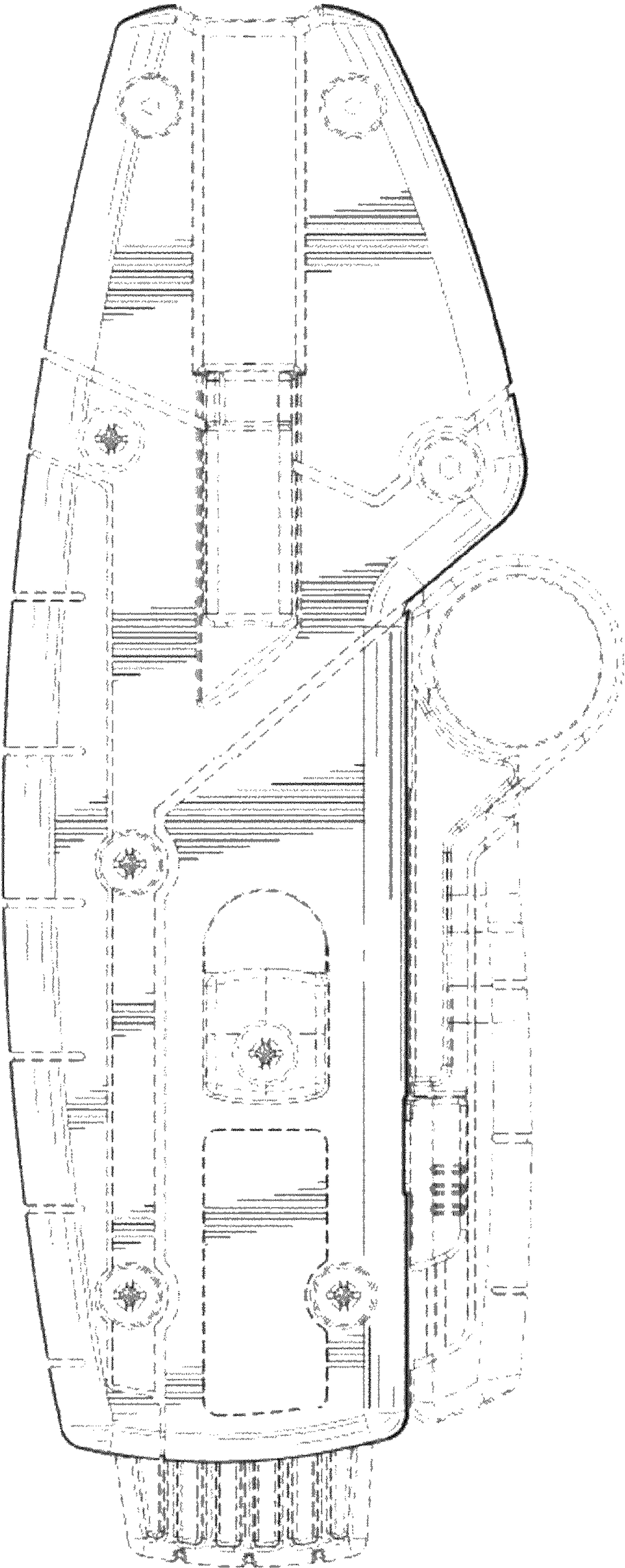


FIG. 5