



US00D670145S

(12) **United States Design Patent**  
**Laurie**

(10) **Patent No.:** **US D670,145 S**

(45) **Date of Patent:** **\*\* Nov. 6, 2012**

(54) **LOW PROFILE SOCKET INTERFACE**

(76) Inventor: **Mark Laurie**, Palm Beach Gardens, FL  
(US)

(\*\*) Term: **14 Years**

(21) Appl. No.: **29/422,313**

(22) Filed: **May 18, 2012**

**Related U.S. Application Data**

(60) Continuation of application No. 29/389,281, filed on Apr. 8, 2011, now Pat. No. Des. 660,111, which is a continuation of application No. 29/378,798, filed on Nov. 9, 2010, now Pat. No. Des. 636,650, and a continuation of application No. 29/378,797, filed on Nov. 9, 2010, now Pat. No. Des. 636,240, which is a division of application No. 29/364,821, filed on Jun. 29, 2010, now Pat. No. Des. 628,868, which is a division of application No. 12/332,328, filed on Dec. 10, 2008, now abandoned.

(51) **LOC (9) Cl.** ..... **08-05**

(52) **U.S. Cl.** ..... **D8/29**

(58) **Field of Classification Search** ..... D8/21-29;  
81/58.3, 177.1, 177.85, 121.1, 124.3, 165-170,  
81/110.1, 176.2, 124.6, 176.1, 176.15, 177.2;  
16/110.1; D15/144.1; 219/75, 227, 229,  
219/121.16, 121.18

See application file for complete search history.

(56) **References Cited**

**U.S. PATENT DOCUMENTS**

4,616,535 A \* 10/1986 Chiavon ..... 81/121.1  
4,817,475 A \* 4/1989 Kelly et al. .... 81/121.1  
5,140,875 A \* 8/1992 Kim ..... 81/63.1  
5,448,930 A \* 9/1995 Miner et al. .... 81/57.39

D425,385 S \* 5/2000 Jarvis ..... D8/29  
6,601,477 B2 \* 8/2003 Huang ..... 81/60  
D517,383 S \* 3/2006 Walls, Jr. .... D8/29  
7,010,998 B2 \* 3/2006 Ying-Hao ..... 81/121.1  
D570,169 S \* 6/2008 Lin ..... D8/29  
2003/0097913 A1 \* 5/2003 Hu ..... 81/60  
2003/0126957 A1 \* 7/2003 Huang ..... 81/60

\* cited by examiner

*Primary Examiner* — Raphael Barkai

*Assistant Examiner* — Randall Gholson

(74) *Attorney, Agent, or Firm* — Gold & Rizvi, P.A.; Glenn E. Gold

(57) **CLAIM**

I claim the ornamental design for low profile socket interface, as shown and described.

**DESCRIPTION**

FIG. 1 is an isometric top view of a low profile socket interface showing my new design;

FIG. 2 is an isometric bottom view thereof;

FIG. 3 is an elevation first side view thereof;

FIG. 4 is an elevation second side view rotating 90 degrees thereof;

FIG. 5 is an elevation third side view rotating 180 degrees thereof;

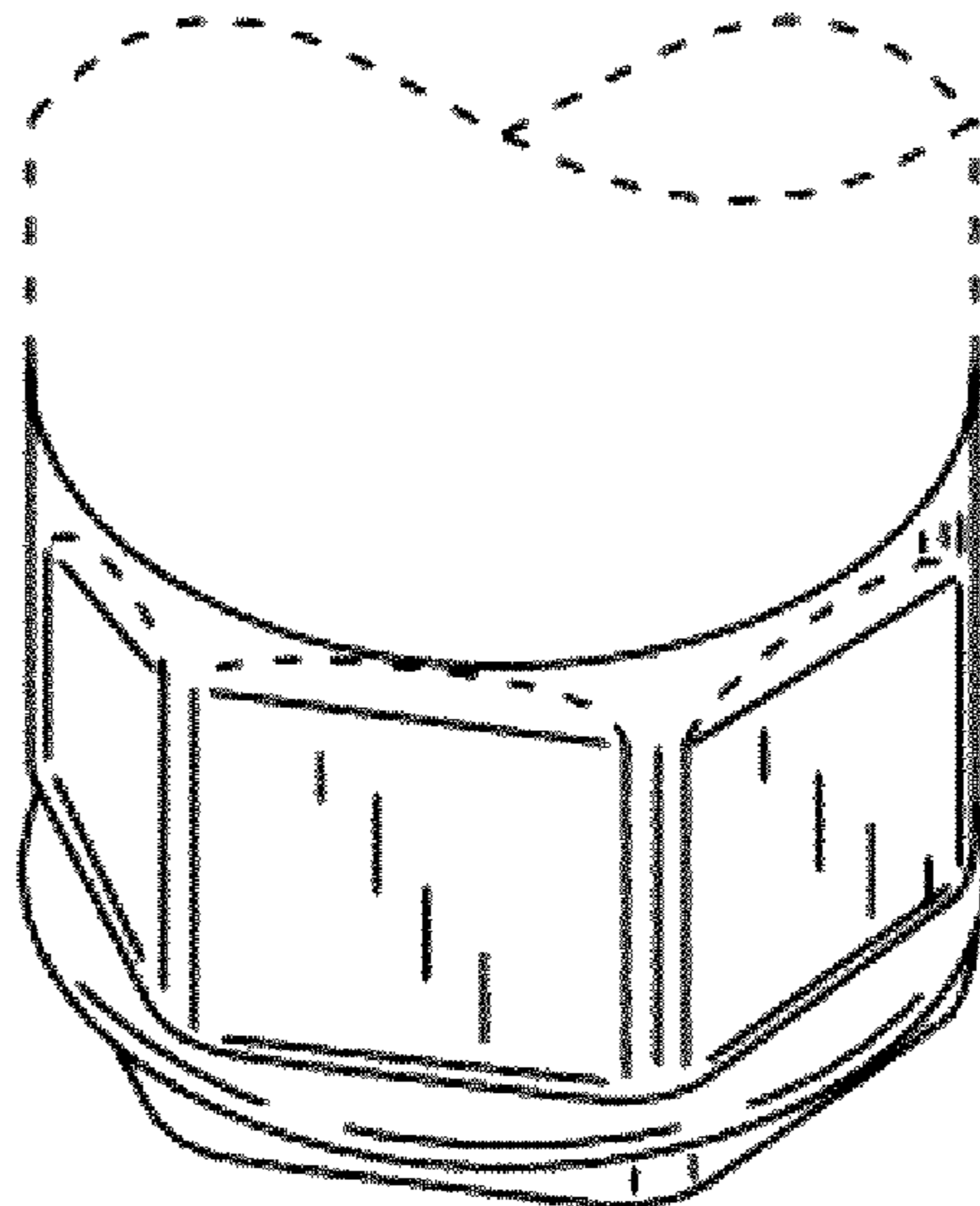
FIG. 6 is an elevation fourth side view rotating 270 degrees thereof;

FIG. 7 is a plan top view thereof; and,

FIG. 8 is a plan bottom view thereof.

The broken lines showing throughout the FIGS are representative of a transition section of external hexagonal planar surfaces and a tool end of the low profile interface and are included for illustrative purposes only and form no part of the claimed invention.

**1 Claim, 4 Drawing Sheets**



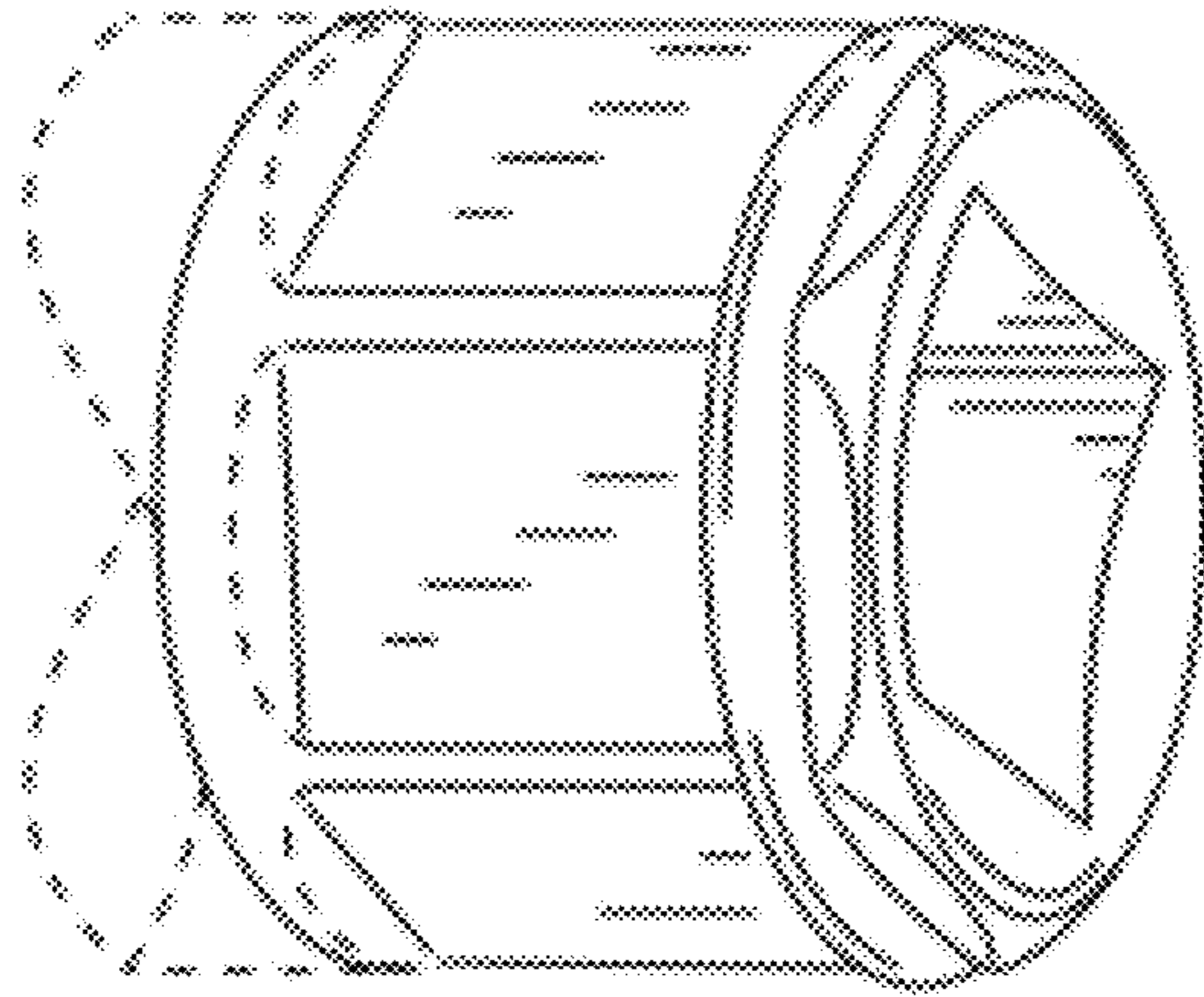


FIG. 2

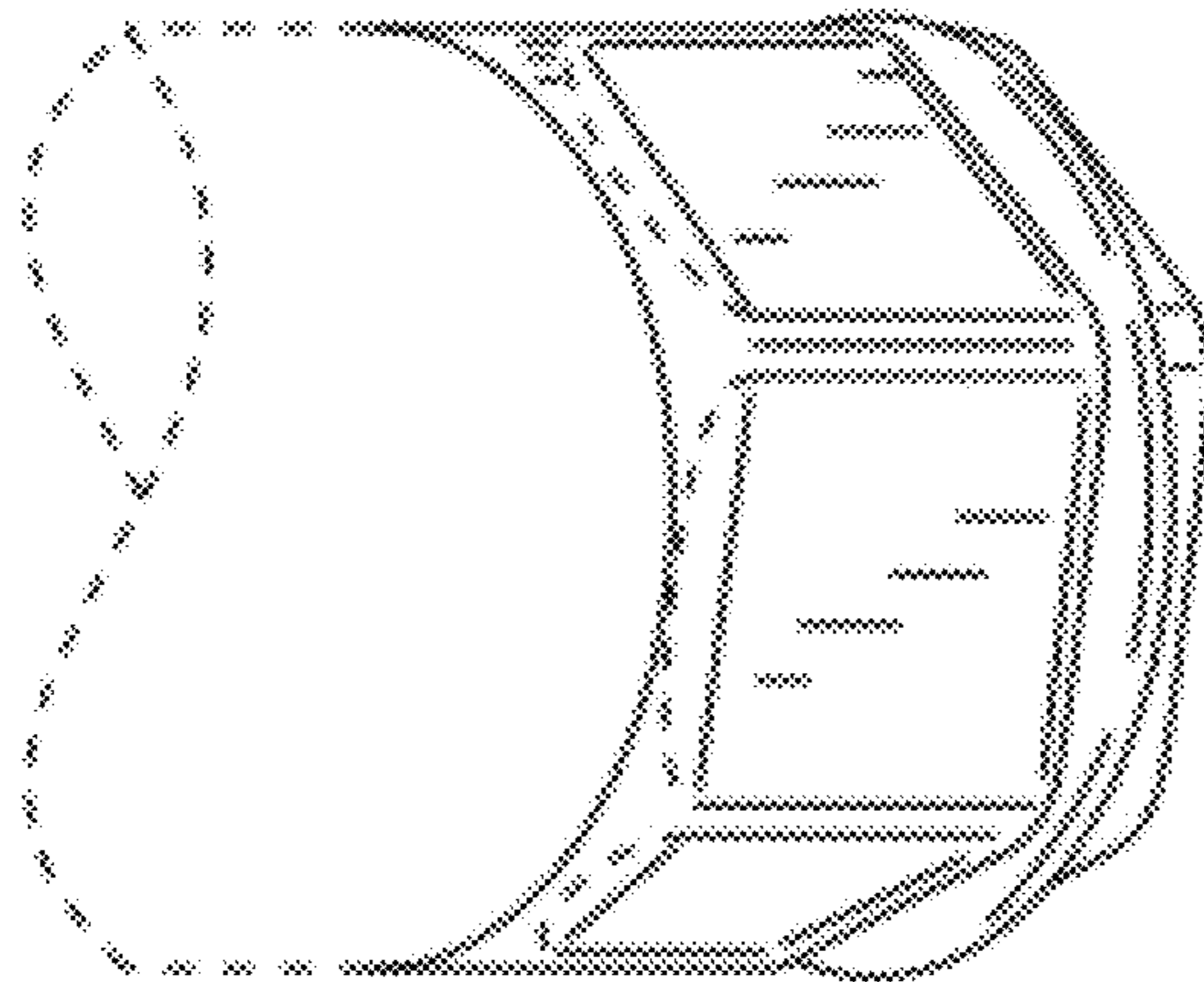


FIG. 1

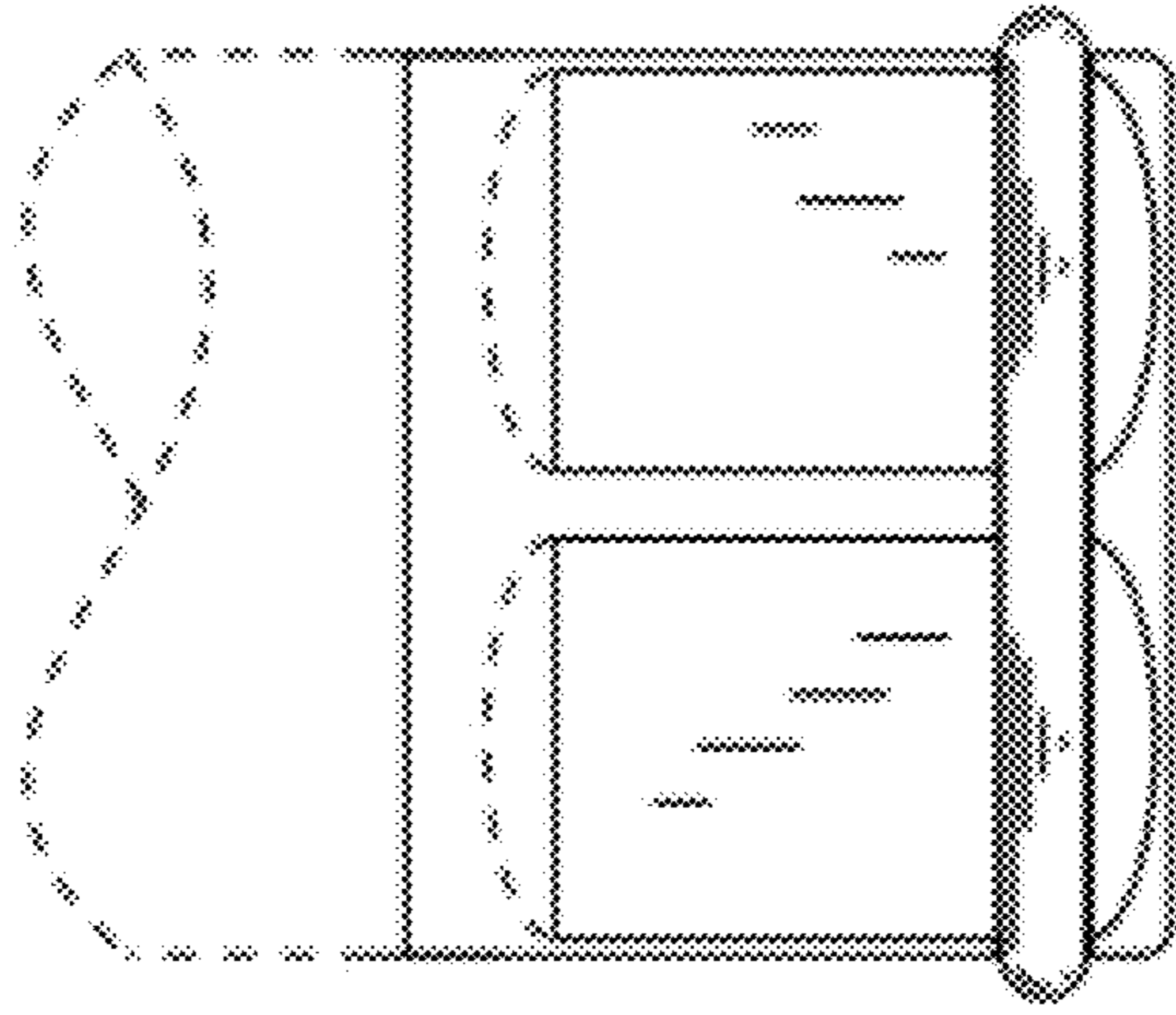


FIG. 3

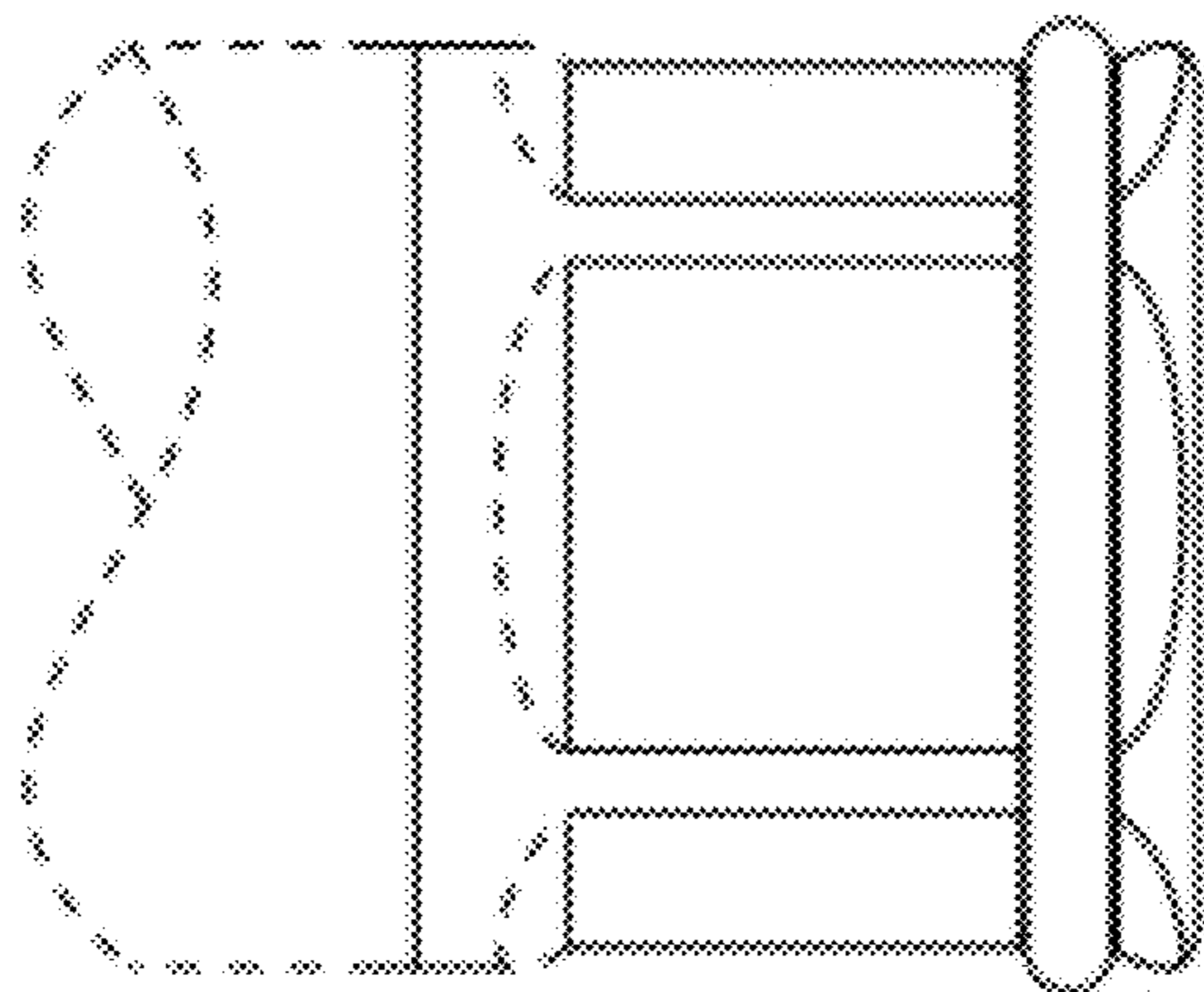


FIG. 4

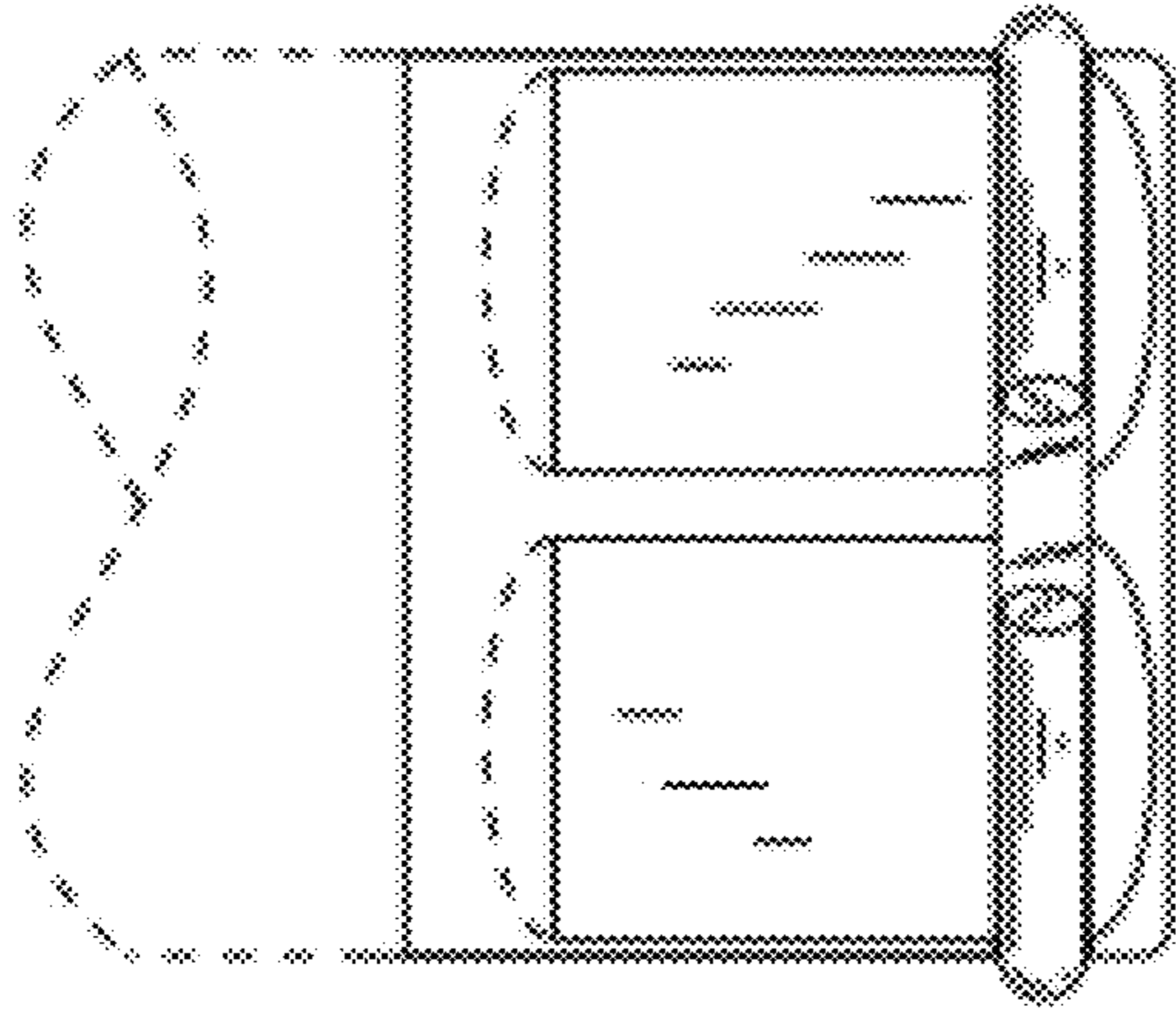


FIG. 5

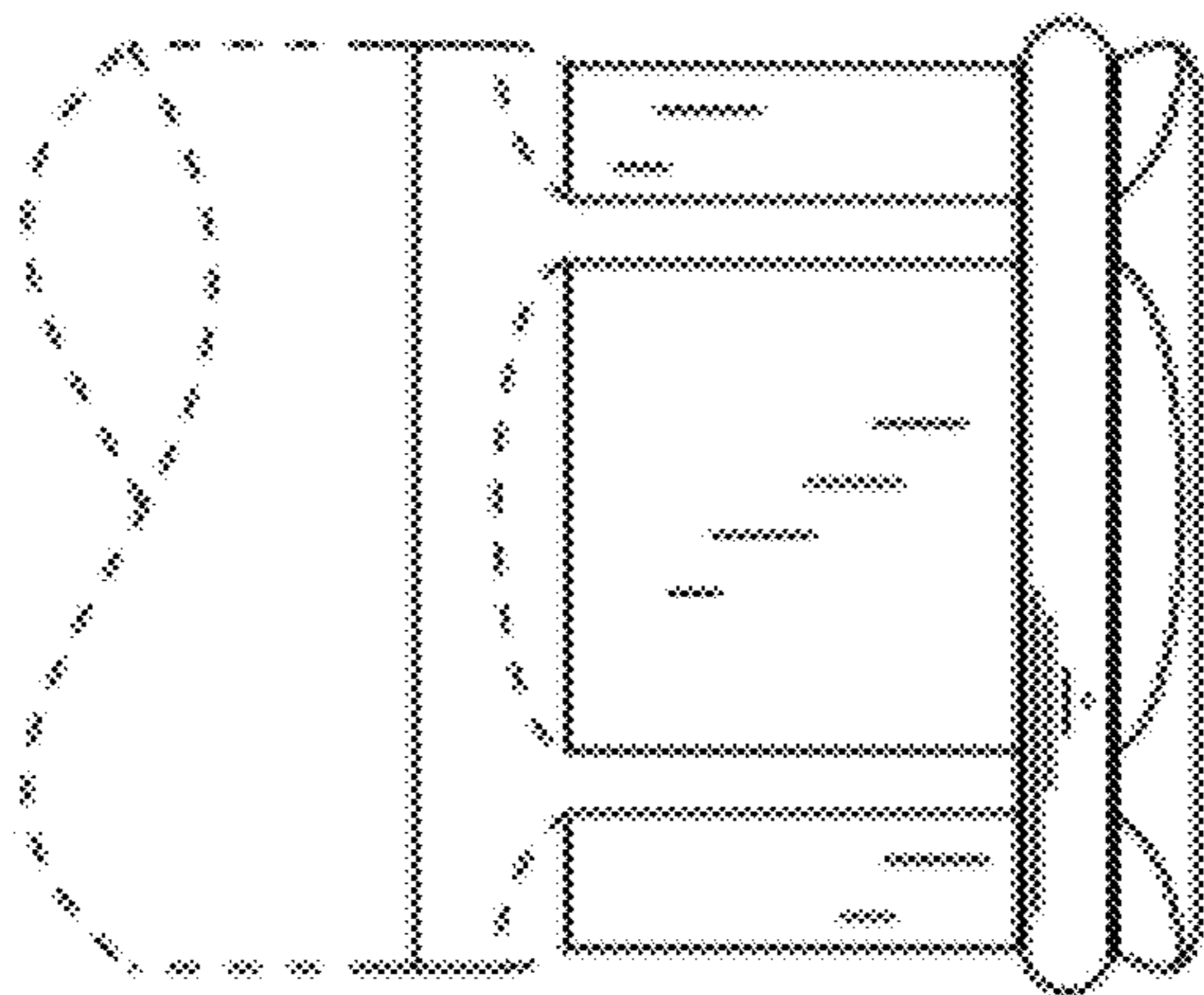


FIG. 6

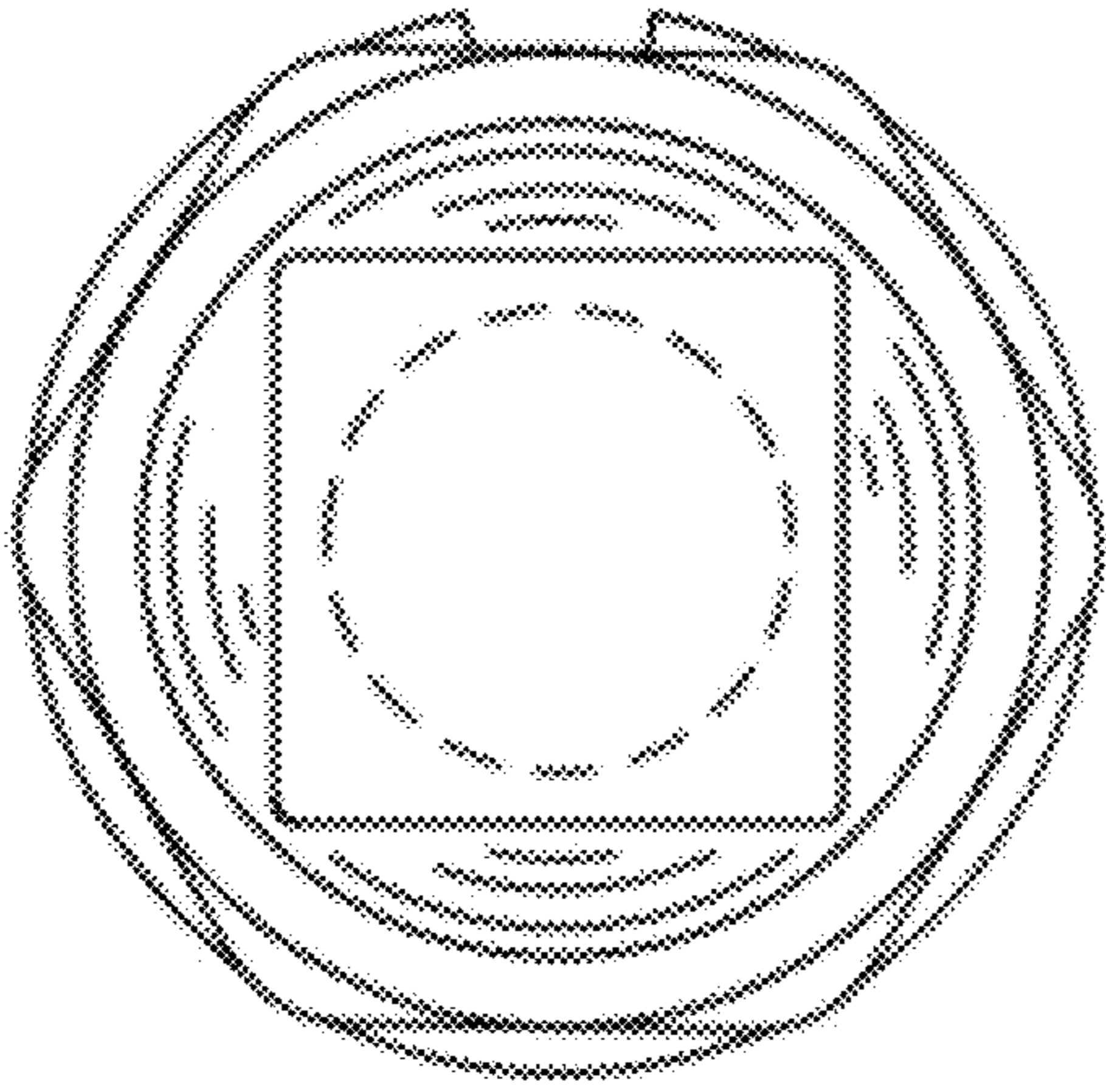


FIG. 8

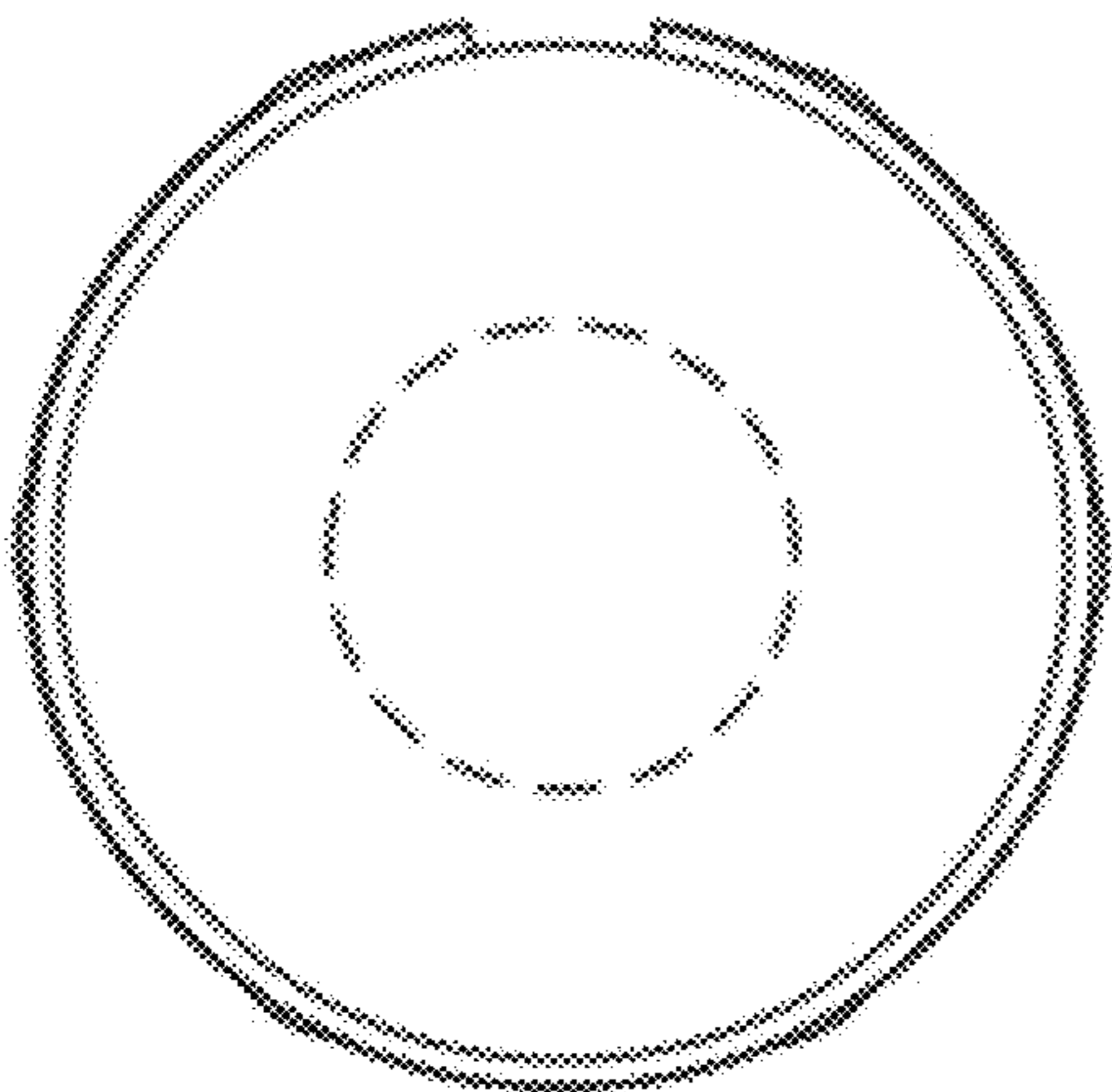


FIG. 7