



US00D670144S

(12) **United States Design Patent**
Tinius

(10) **Patent No.:** **US D670,144 S**

(45) **Date of Patent:** **** Nov. 6, 2012**

(54) **HEDGE TRIMMER**

(75) Inventor: **Michael Tinius**, Ulm (DE)

(73) Assignee: **Andreas Stihl AG & Co. KG**,
Walblingen (DE)

(**) Term: **14 Years**

(21) Appl. No.: **29/387,645**

(22) Filed: **Mar. 16, 2011**

(30) **Foreign Application Priority Data**

Dec. 20, 2010 (EM) 001251102-0003

(51) **LOC (9) Cl.** **08-01**

(52) **U.S. Cl.** **D8/8**

(58) **Field of Classification Search** D8/7, 8,
D8/9; 30/216, 208, 276, 228, 382, 383; 56/12.7,
56/233-237, 295

See application file for complete search history.

(56) **References Cited**

U.S. PATENT DOCUMENTS

D505,602 S * 5/2005 Houghton D8/8
6,973,726 B2 * 12/2005 Kramer 30/216

D560,983 S * 2/2008 Tinius D8/8
D606,829 S * 12/2009 Tinius D8/65
D623,487 S * 9/2010 Tinius D8/8

* cited by examiner

Primary Examiner — Sheryl Lane

(74) *Attorney, Agent, or Firm* — McGuireWoods LLP

(57) **CLAIM**

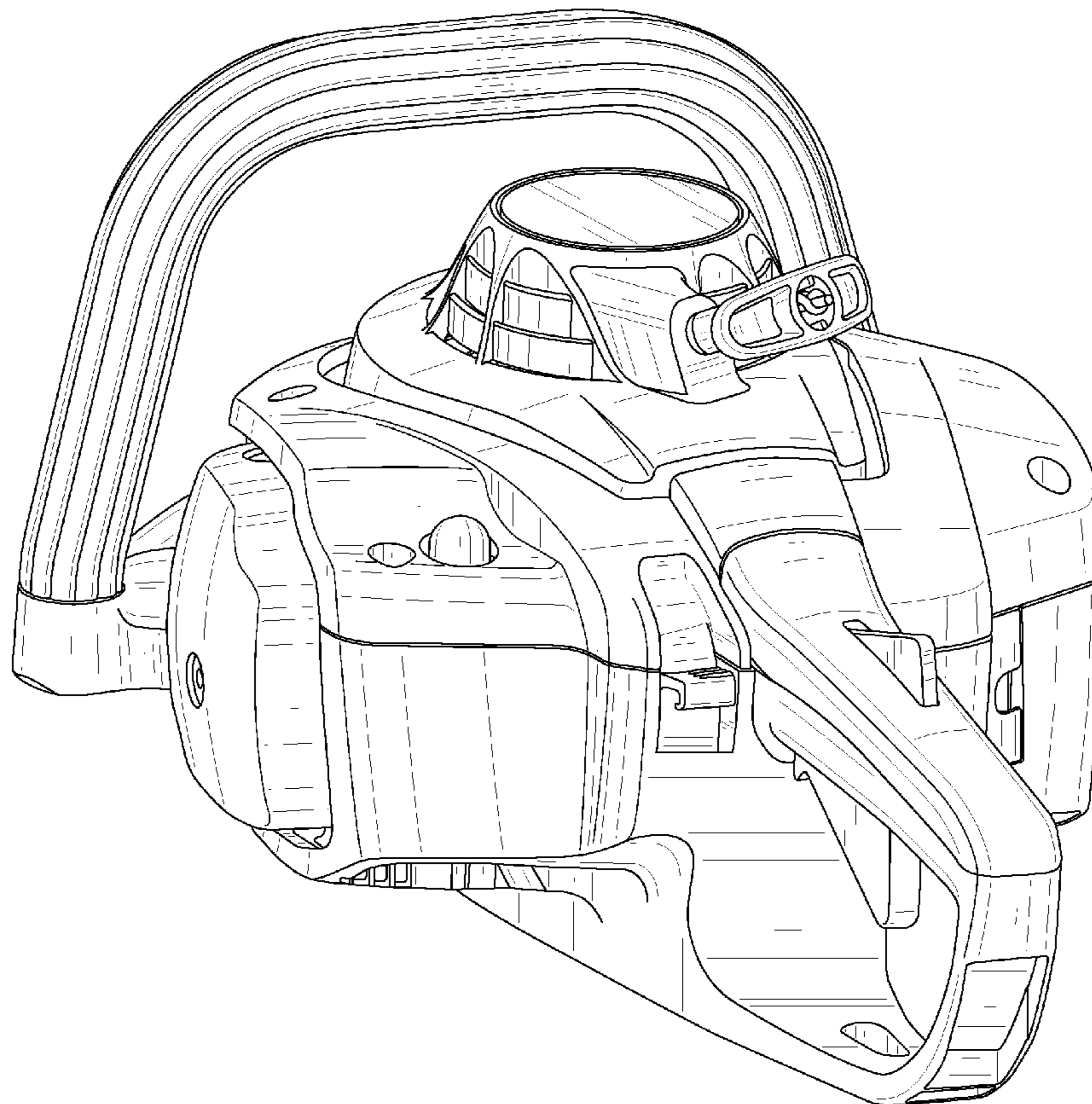
I claim the ornamental design for a hedge trimmer, as shown and described.

DESCRIPTION

FIG. 1 is a rear perspective view of the hedge trimmer;
FIG. 2 is a front view of the hedge trimmer shown in FIG. 1;
FIG. 3 is a rear view of the hedge trimmer shown in FIG. 1;
FIG. 4 is a right side view of the hedge trimmer shown in FIG. 1;
FIG. 5 is a left side view of the hedge trimmer shown in FIG. 1;
FIG. 6 is a top view of the hedge trimmer shown in FIG. 1;
and,
FIG. 7 is a bottom view of the hedge trimmer shown in FIG. 1.

The broken lines represent portions of the article and form no part of the claimed design.

1 Claim, 7 Drawing Sheets



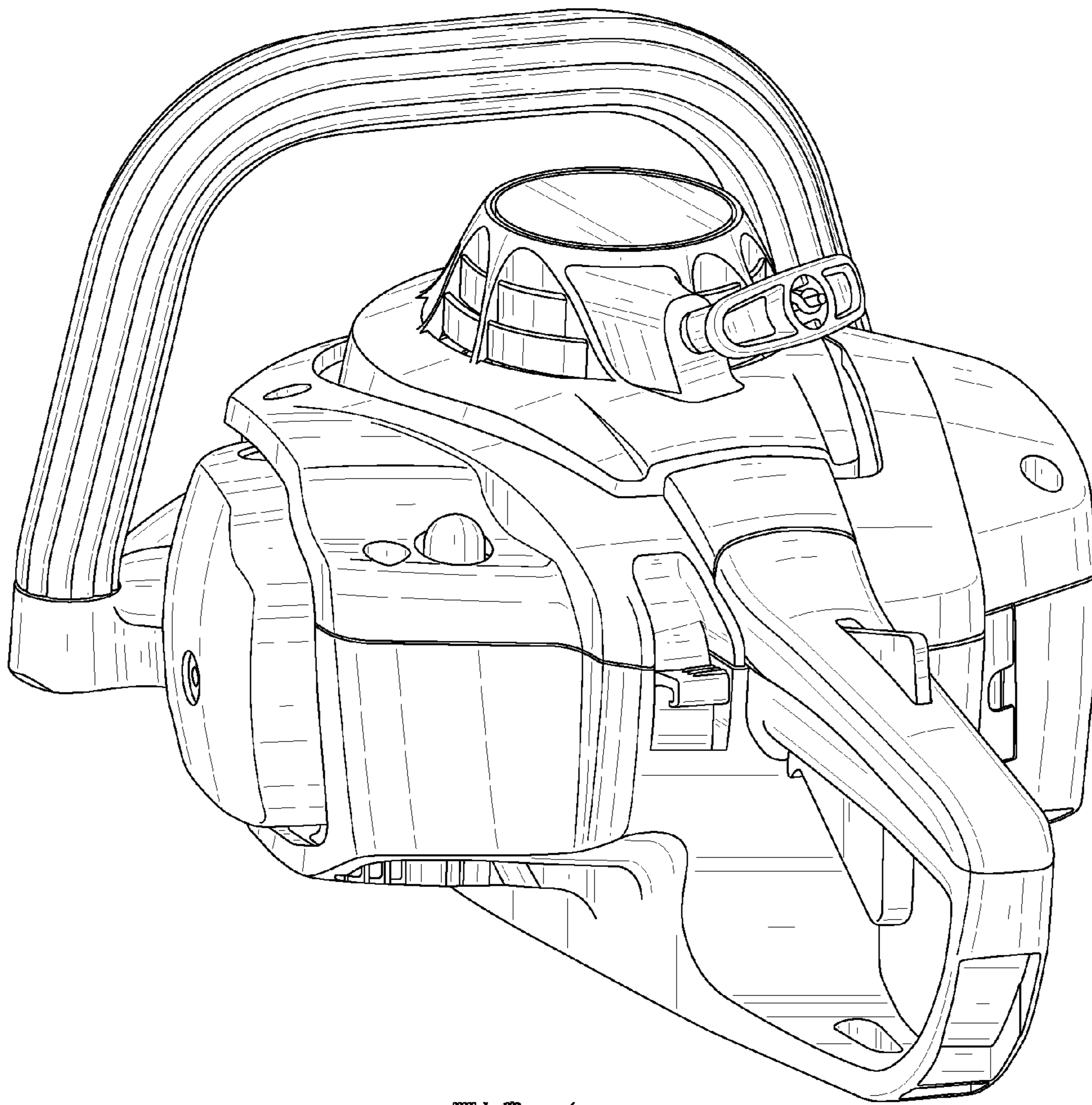


FIG. 1

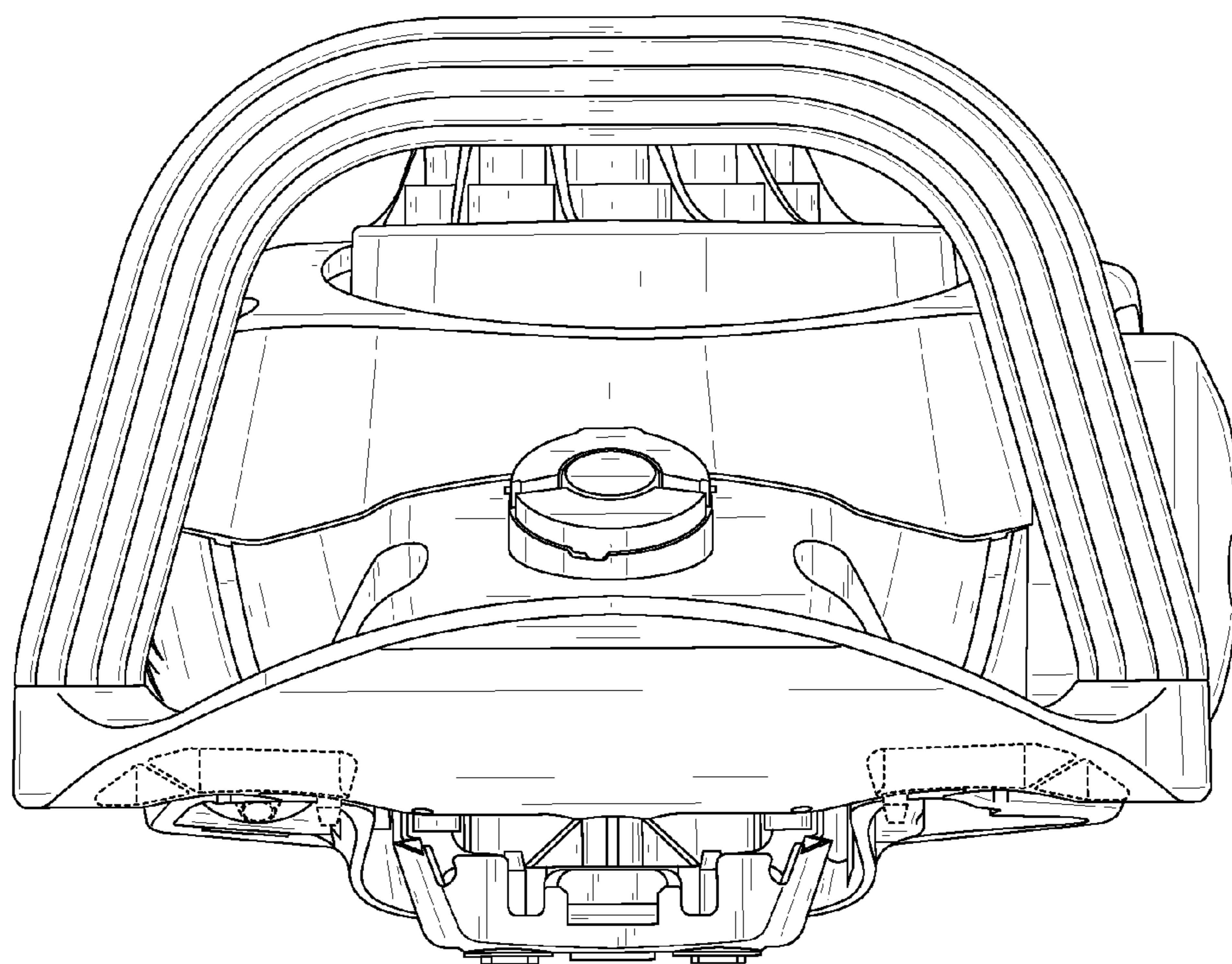


FIG. 2

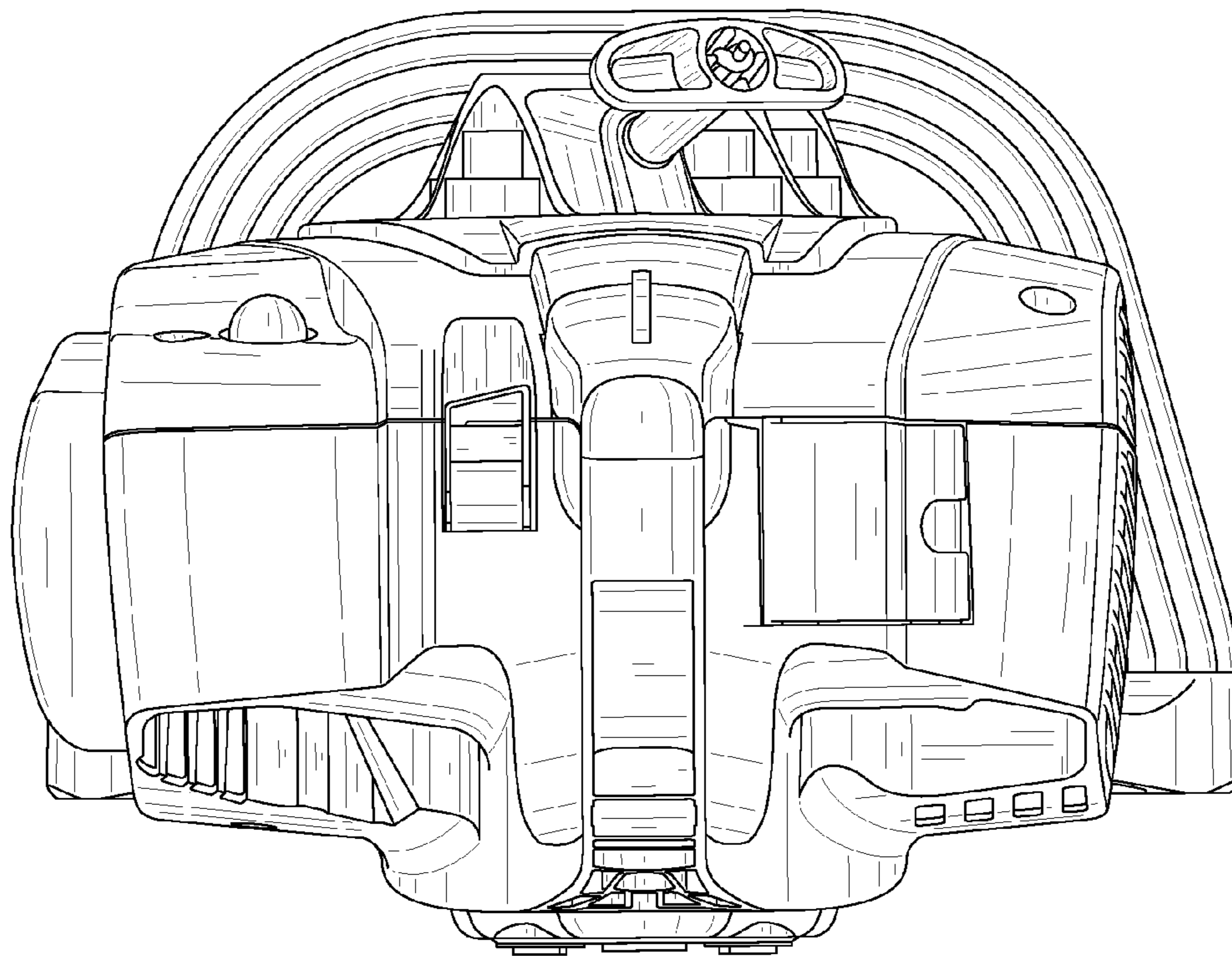


FIG. 3

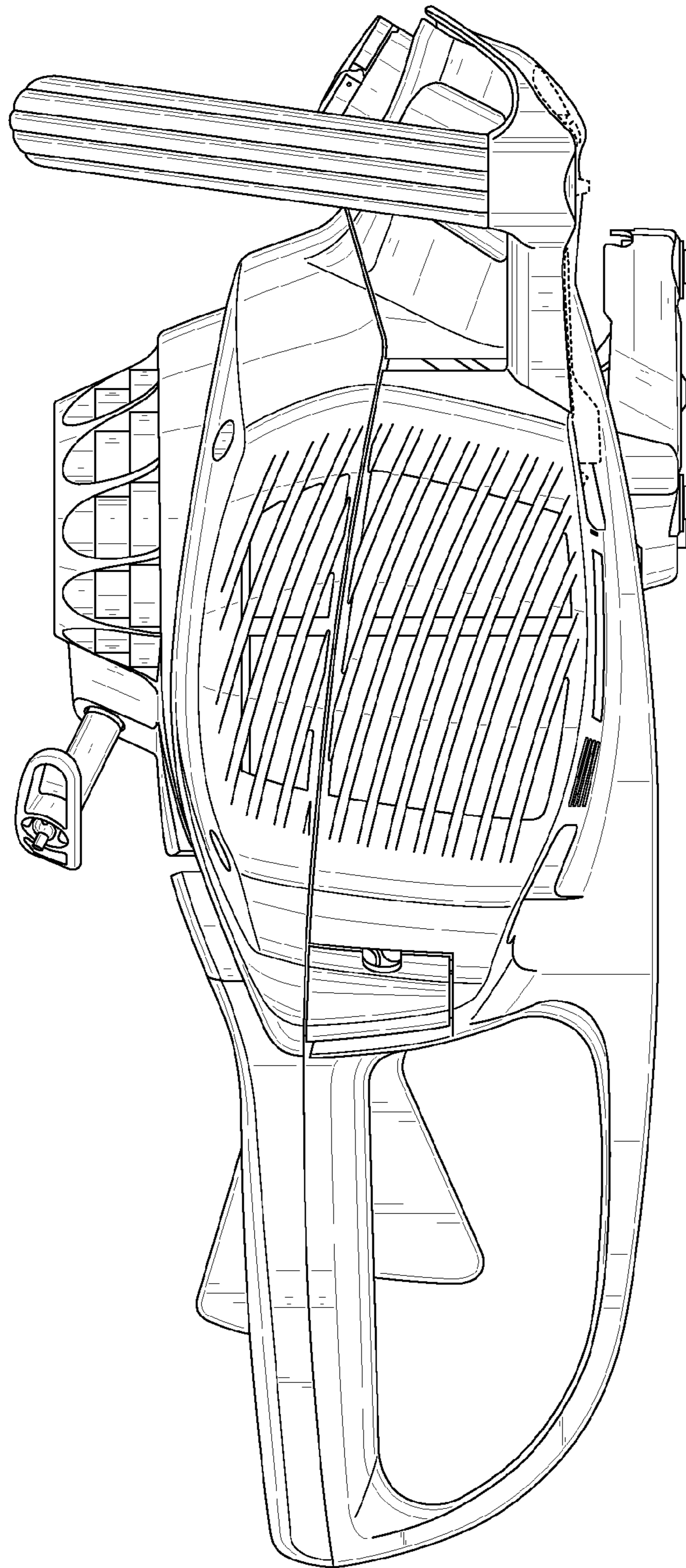


FIG. 4

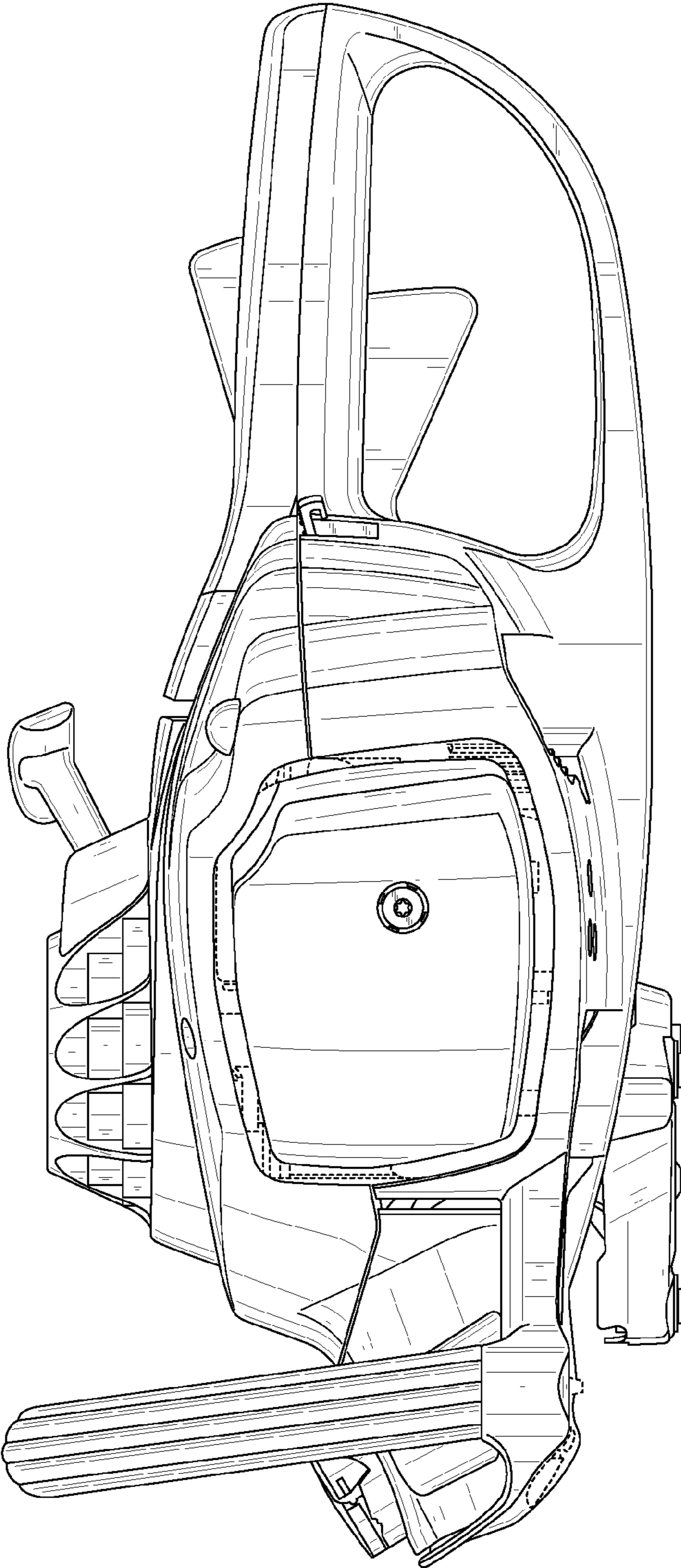


FIG. 5

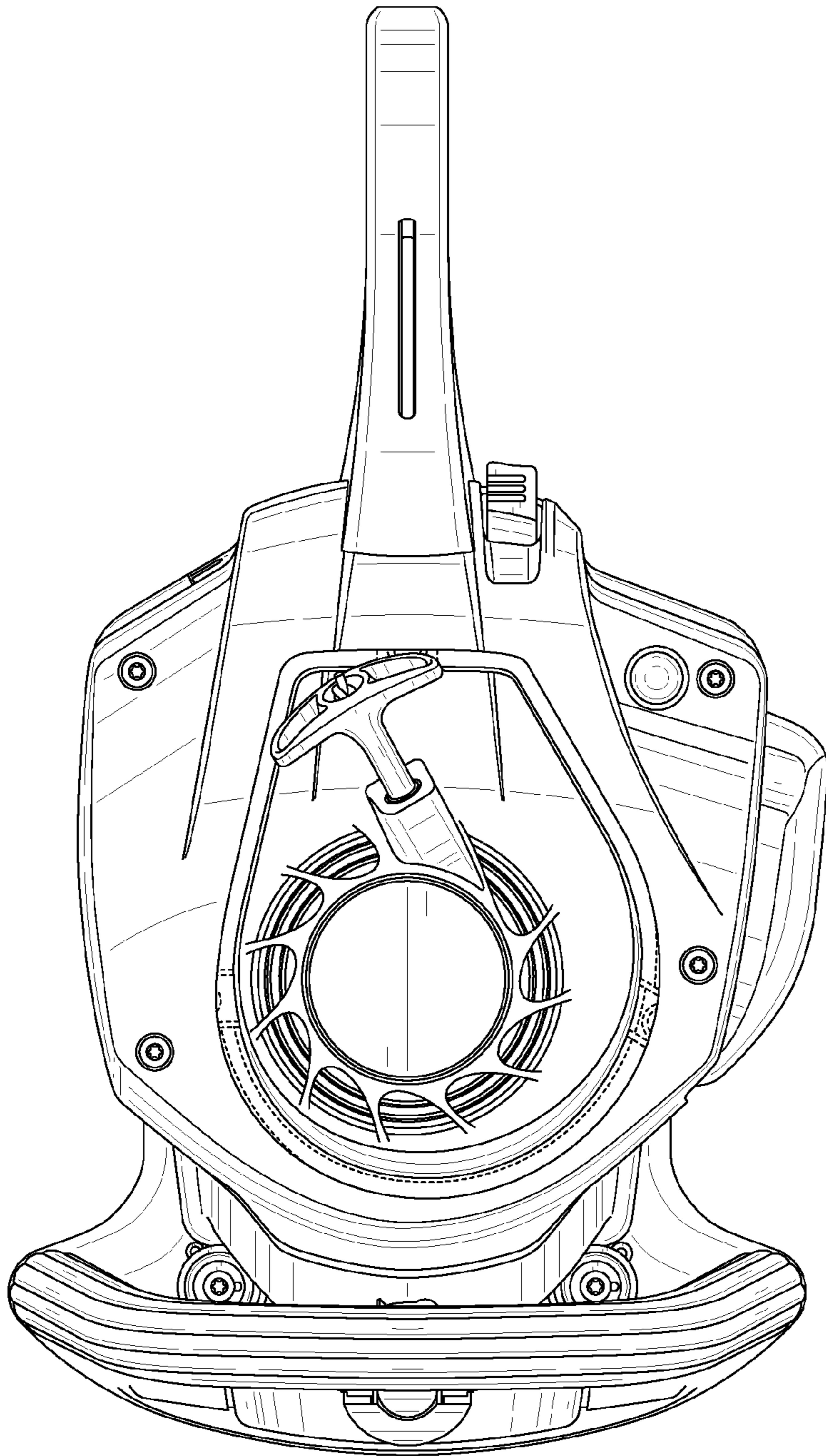


FIG. 6

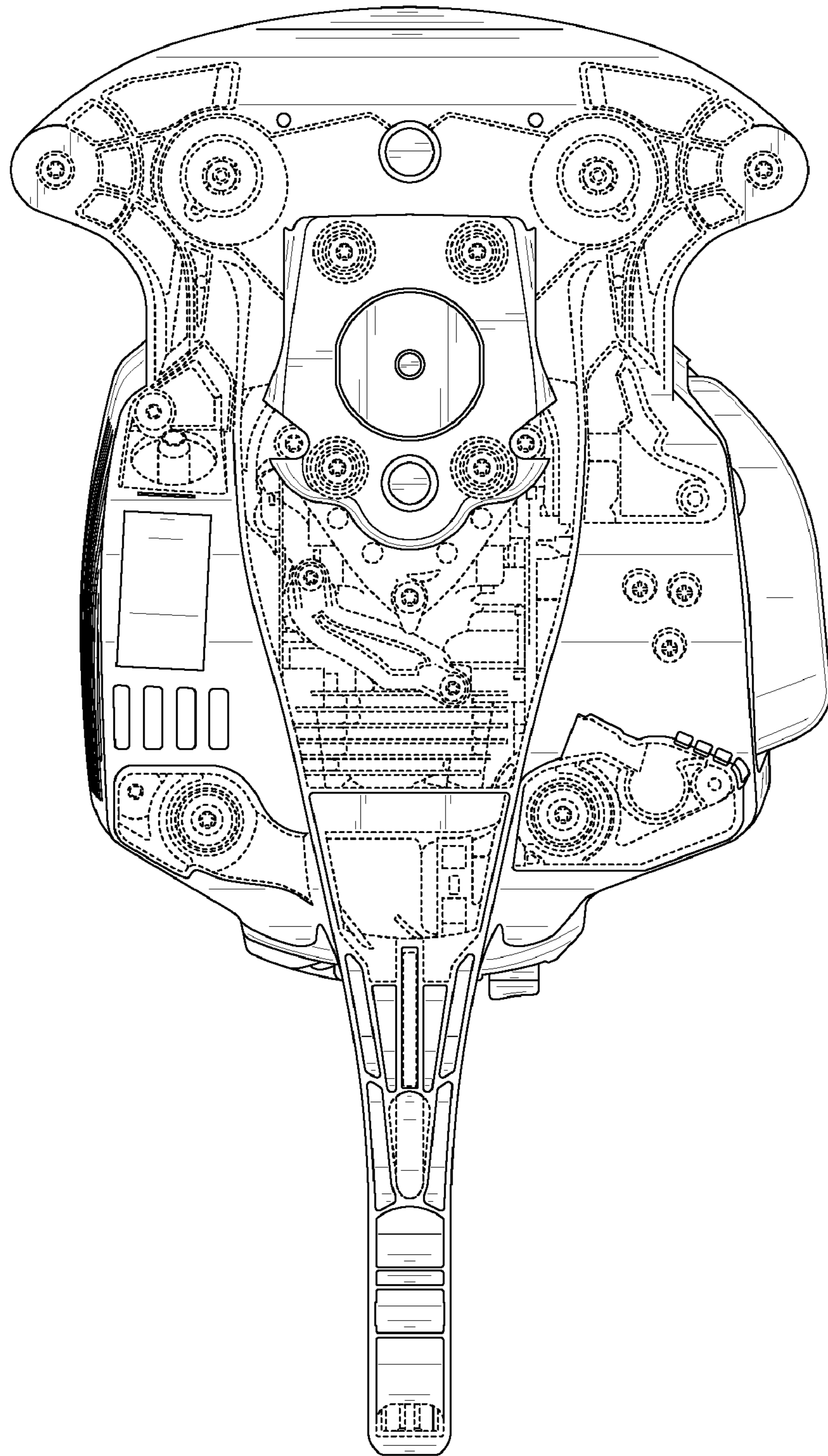


FIG. 7

UNITED STATES PATENT AND TRADEMARK OFFICE
CERTIFICATE OF CORRECTION

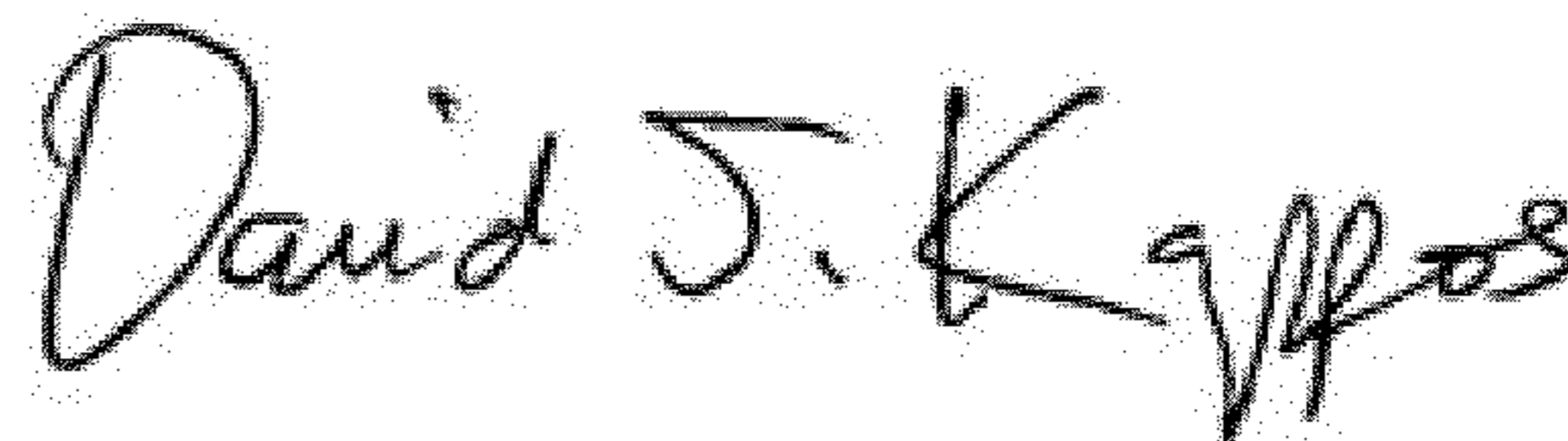
PATENT NO. : D670,144 S
APPLICATION NO. : 29/387645
DATED : November 6, 2012
INVENTOR(S) : Michael Tinius

Page 1 of 1

It is certified that error appears in the above-identified patent and that said Letters Patent is hereby corrected as shown below:

On the face of the patent, under section (73) Assignee: please correct "Walblingen" to
-- "Waiblingen" --

Signed and Sealed this
First Day of January, 2013

A handwritten signature in black ink that reads "David J. Kappos". The signature is written in a cursive style with a large initial "D" and "K".

David J. Kappos
Director of the United States Patent and Trademark Office