



US00D670140S

(12) **United States Design Patent**  
**Kavanaugh et al.**

(10) **Patent No.:** **US D670,140 S**  
(45) **Date of Patent:** **\*\* Nov. 6, 2012**

(54) **HOT DOG SLICER**

(75) Inventors: **Daniel Kavanaugh**, Leawood, KS (US);  
**Christopher Hawker**, Columbus, OH  
(US); **Jessica Moreland**, Columbus, OH  
(US); **Sarah Park**, Dublin, OH (US)

(73) Assignee: **Evrholder Products, LLC**, Anaheim,  
CA (US)

(\*\*) Term: **14 Years**

(21) Appl. No.: **29/411,499**

(22) Filed: **Jan. 21, 2012**

(51) **LOC (9) Cl.** ..... **07-04**

(52) **U.S. Cl.** ..... **D7/676**

(58) **Field of Classification Search** ..... D7/672-677,  
D7/693, 381, 385, 412; 30/303, 304, 114,  
30/116; 99/537, 538; 241/95, 167, 168,  
241/169.1, 169.2

See application file for complete search history.

(56) **References Cited**

U.S. PATENT DOCUMENTS

3,561,511 A \* 2/1971 Kummer ..... 83/597  
4,599,928 A \* 7/1986 Oker ..... 83/581.1

5,749,145 A \* 5/1998 Baukloh ..... 30/114  
D400,065 S \* 10/1998 Fohrman ..... D7/673  
2005/0199115 A1 \* 9/2005 Veltrop et al. .... 83/599  
2007/0022611 A1 \* 2/2007 Verbiest ..... 30/114  
2010/0031830 A1 \* 2/2010 Engdahl et al. .... 99/538

\* cited by examiner

*Primary Examiner* — Terry Wallace

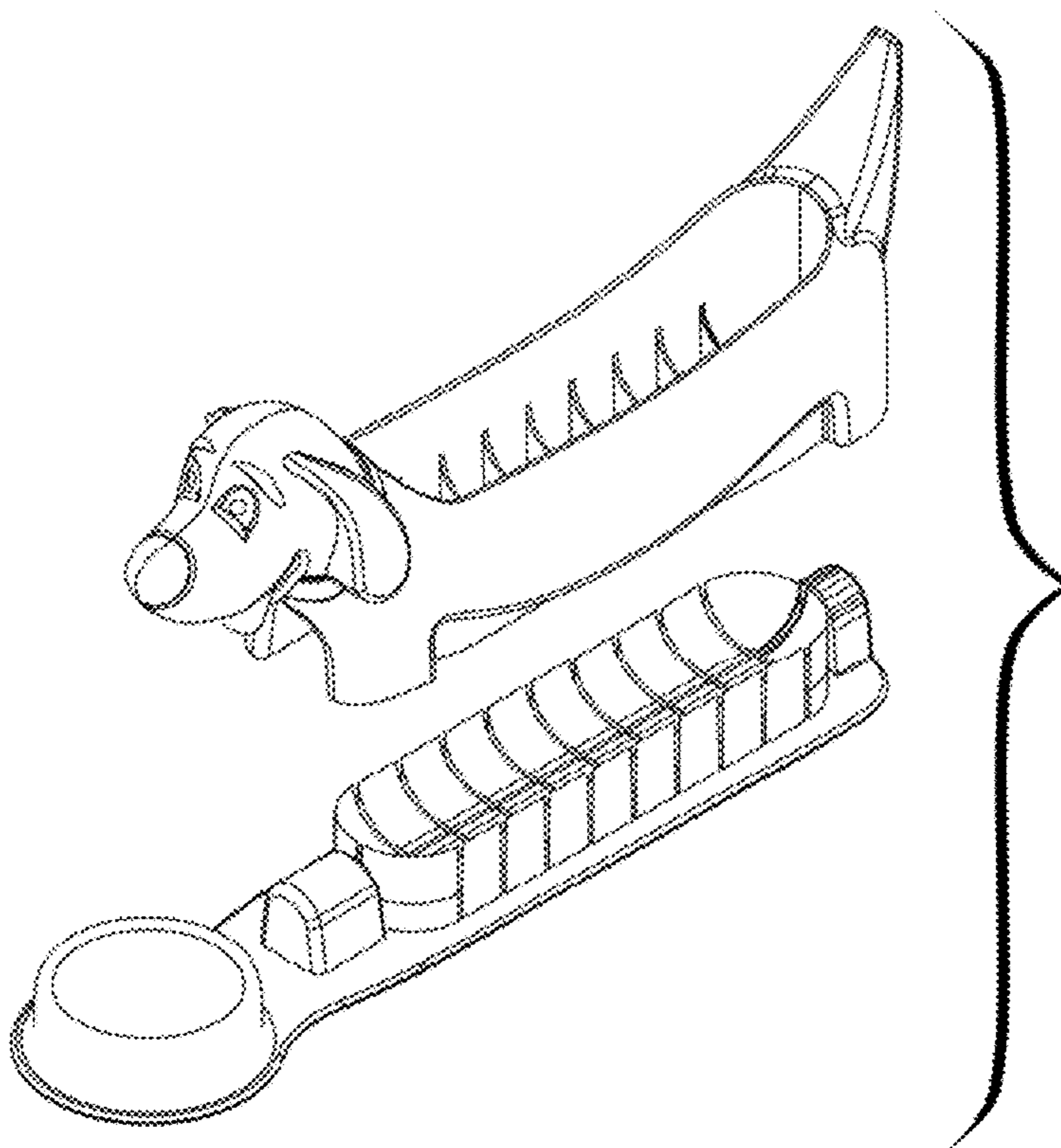
(57) **CLAIM**

The ornamental design for a hot dog slicer, as shown and described.

**DESCRIPTION**

FIG. 1 illustrates a left side view of the claimed design for a hot dog slicer;  
FIG. 2 illustrates a front view thereof;  
FIG. 3 illustrates a rear view thereof;  
FIG. 4 illustrates a right-side view thereof;  
FIG. 5 illustrates a top view thereof;  
FIG. 6 illustrates a bottom view thereof;  
FIG. 7 illustrates a cross-sectional view thereof, taken along line 7-7 of FIG. 5;  
FIG. 8 illustrates a perspective view thereof; and,  
FIG. 9 illustrates an exploded view thereof.

**1 Claim, 9 Drawing Sheets**



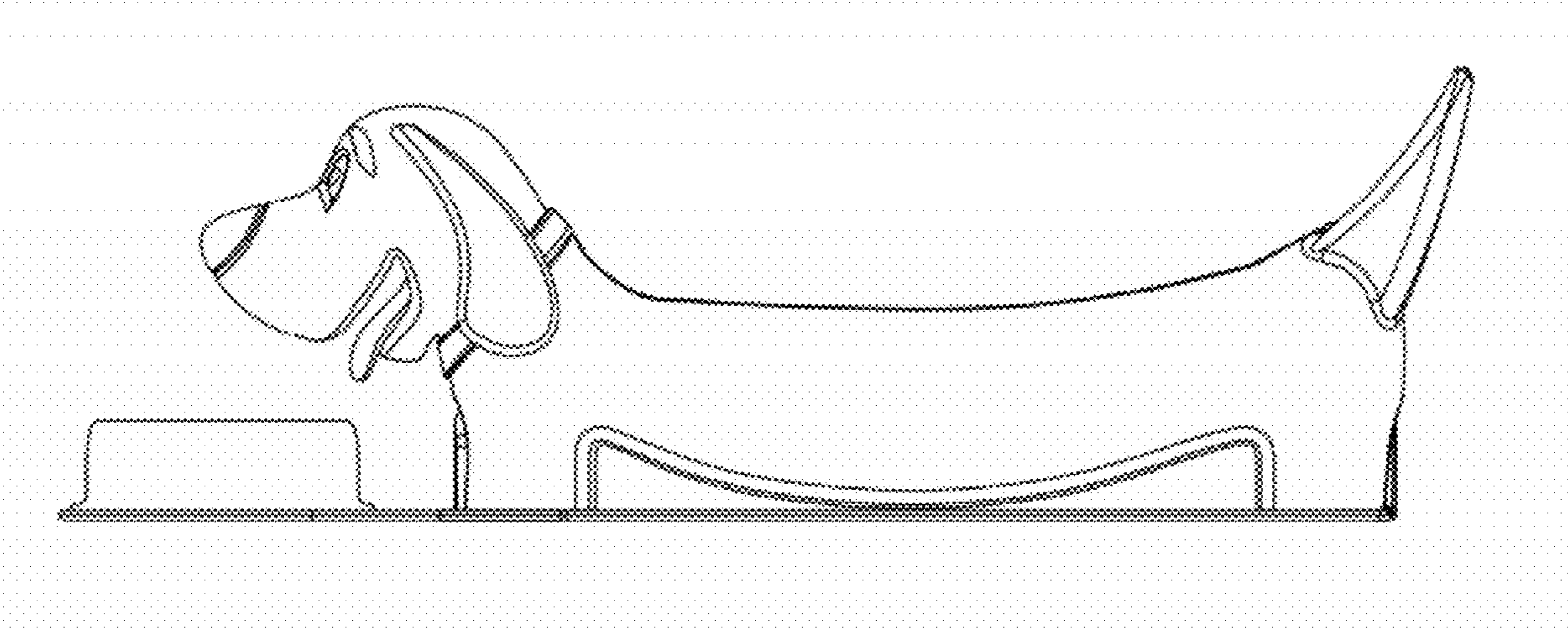


FIG 1

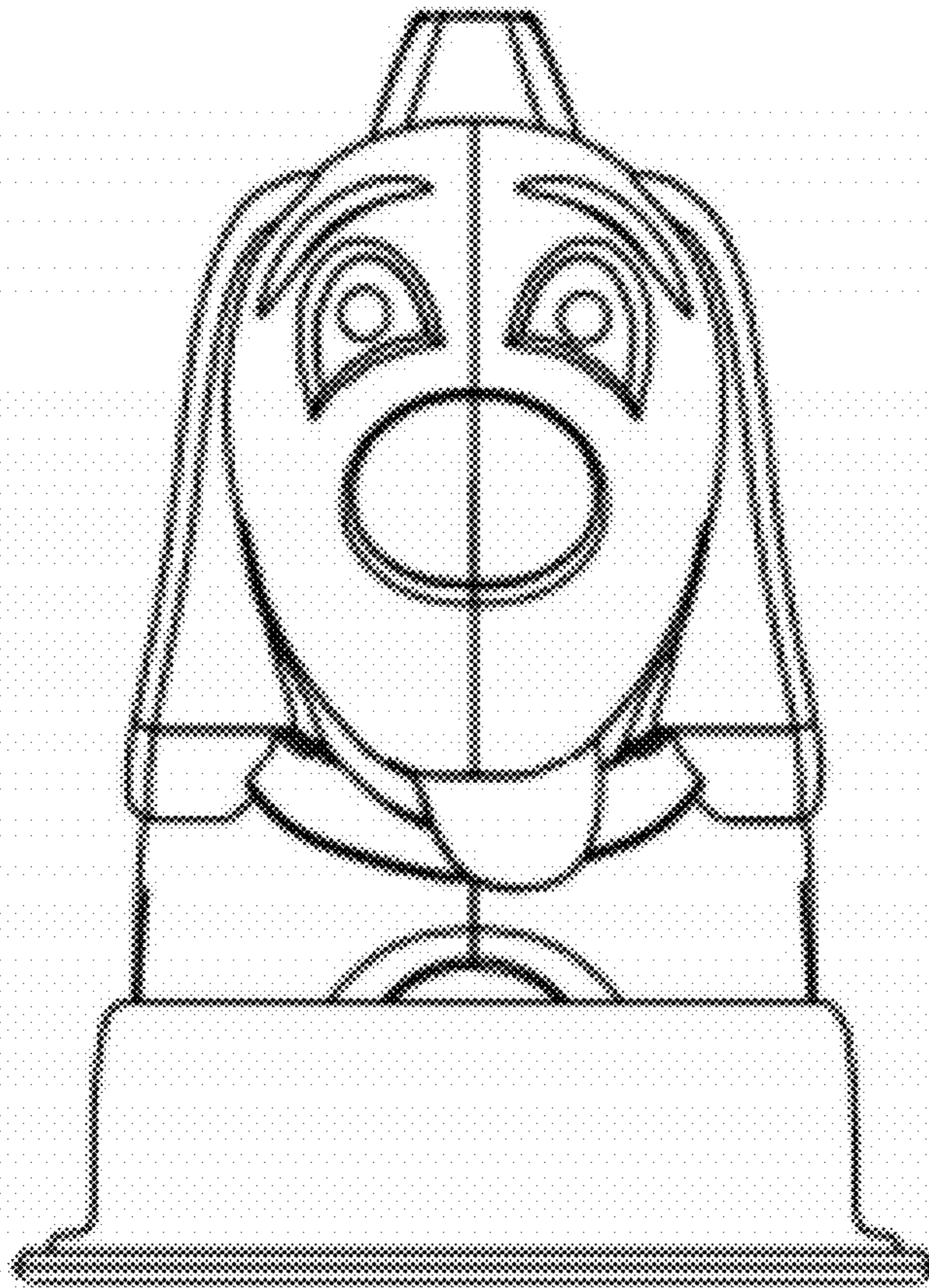


FIG 2

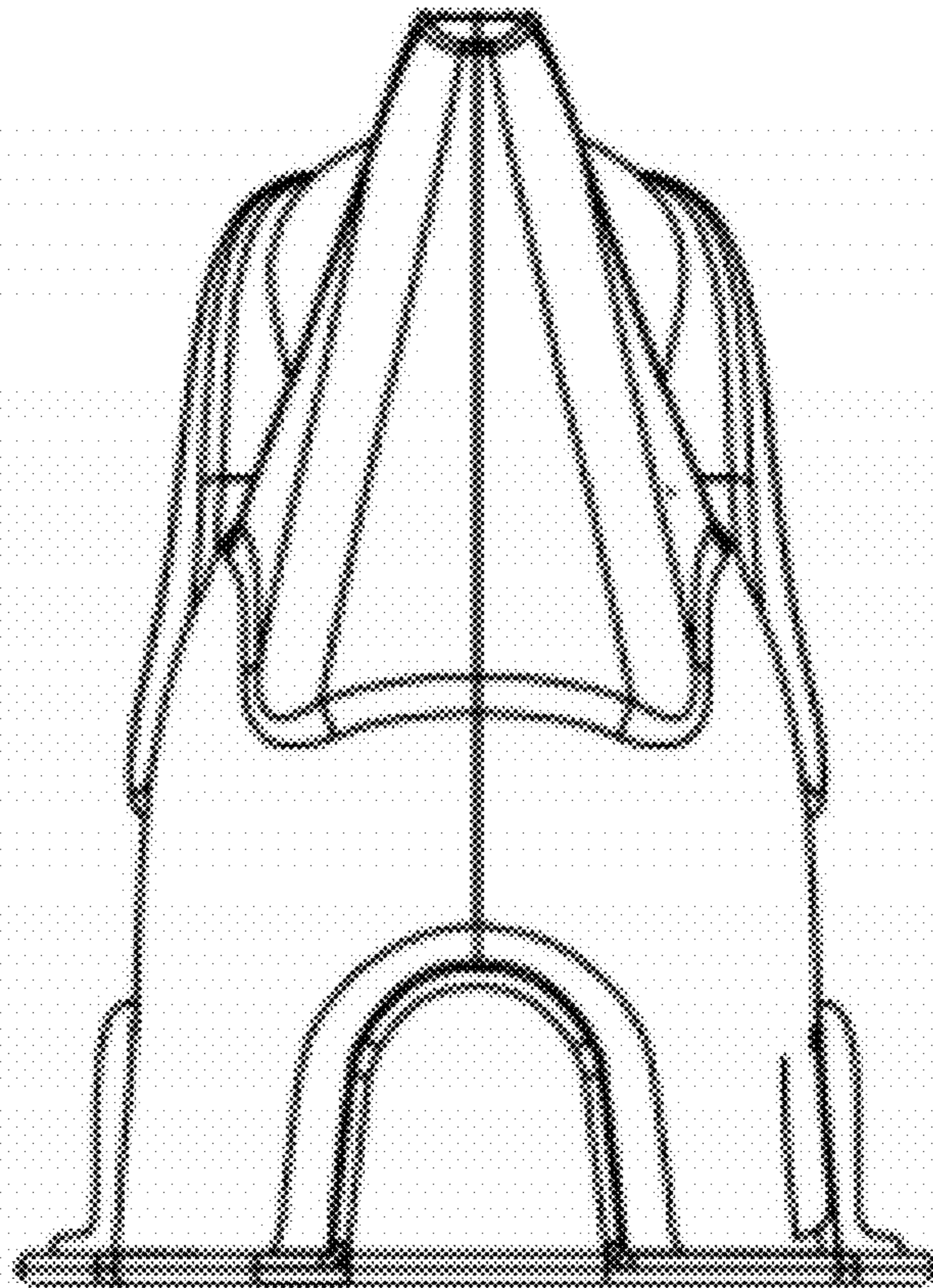


FIG 3

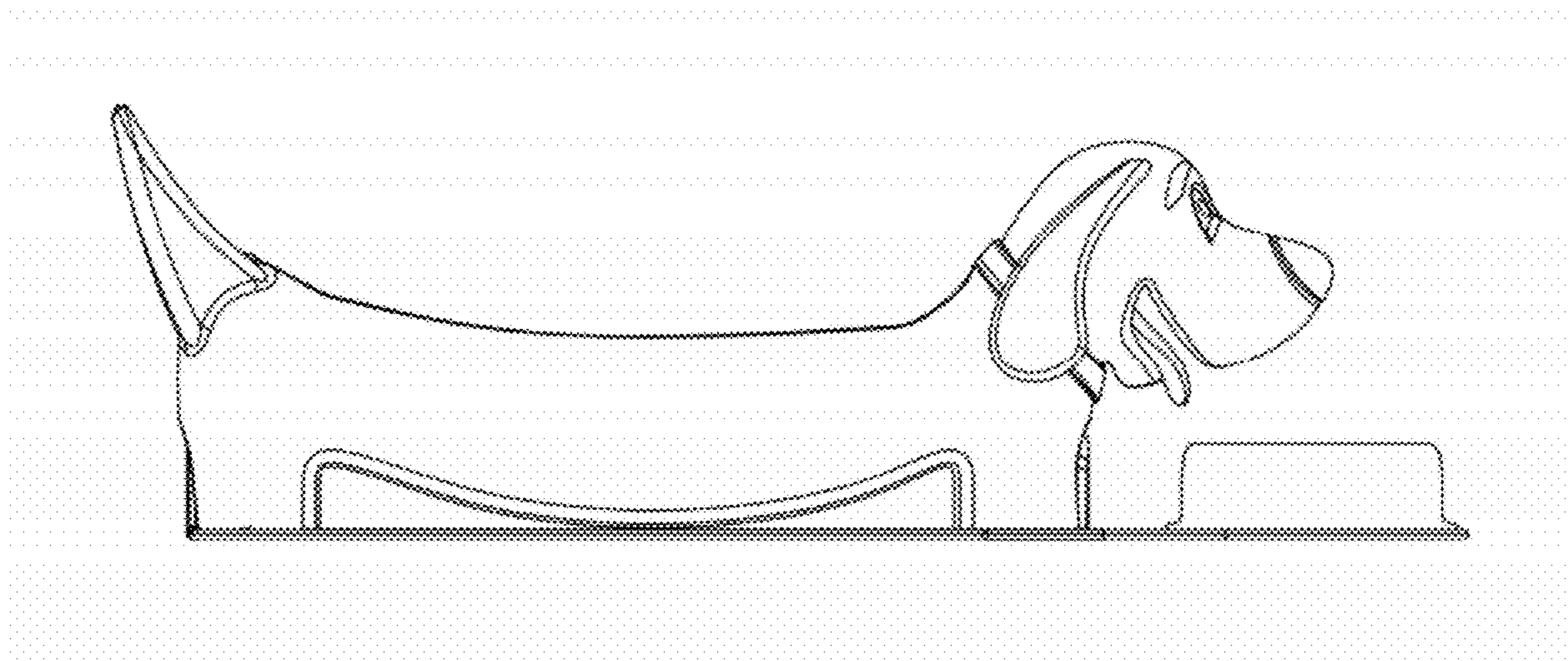


FIG 4

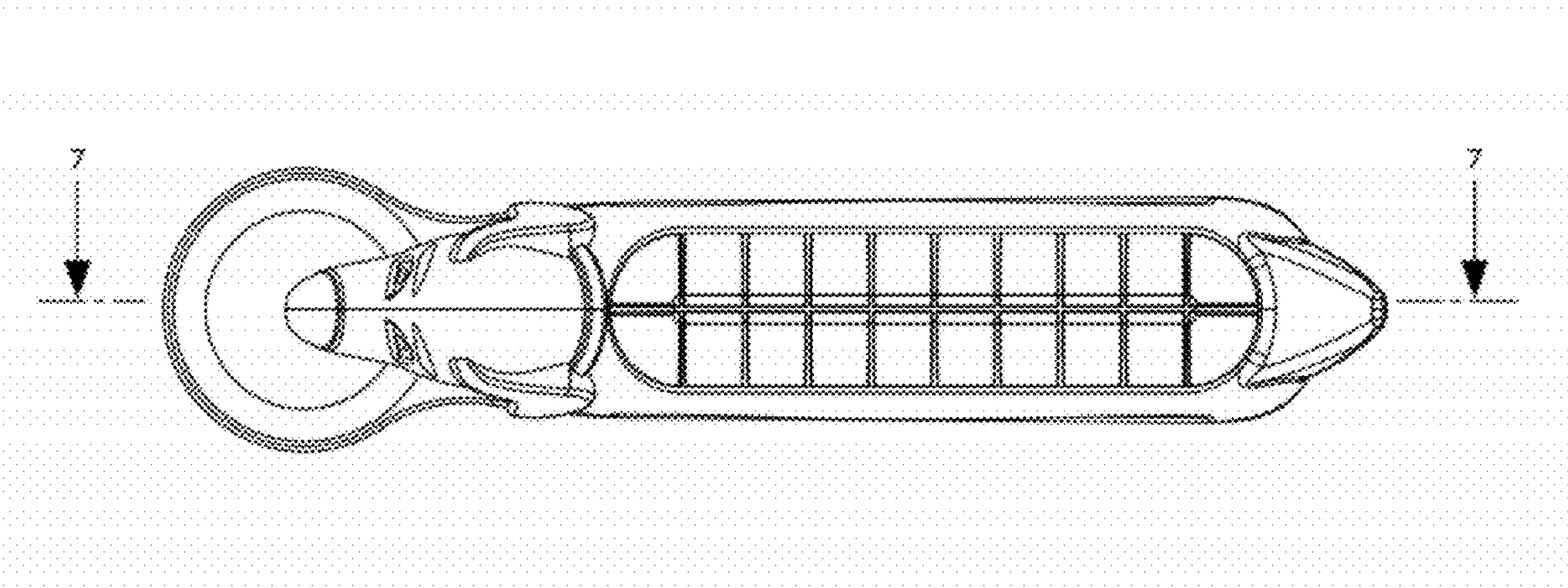


FIG 5

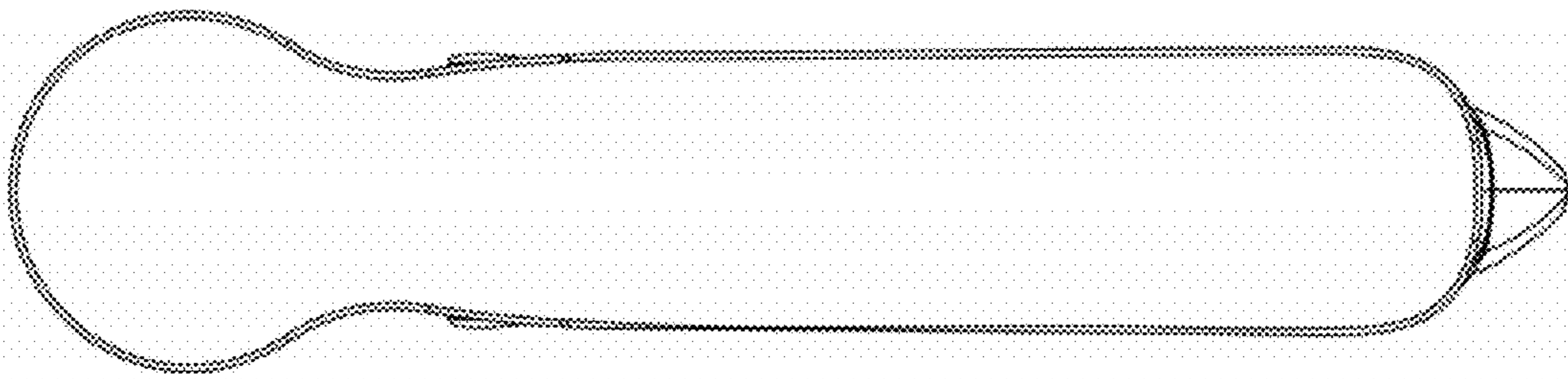


FIG 6

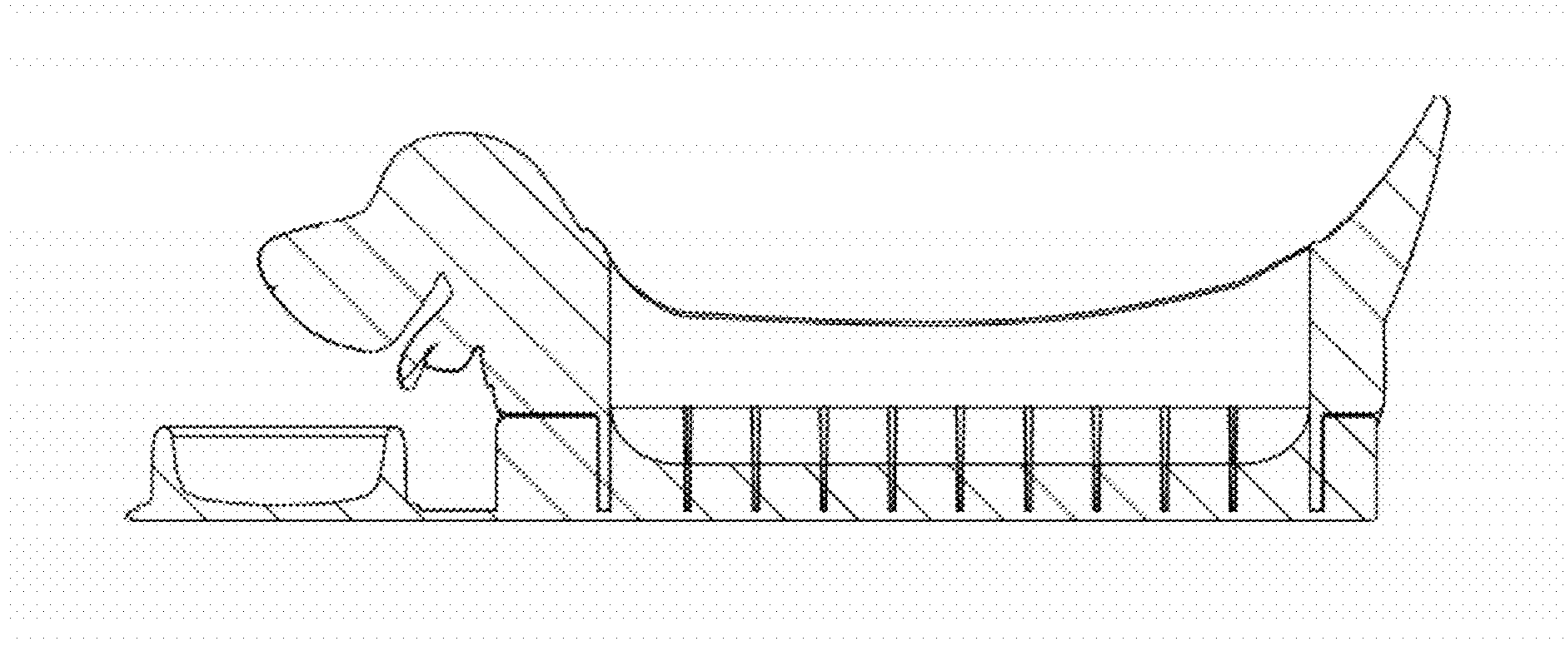


FIG 7



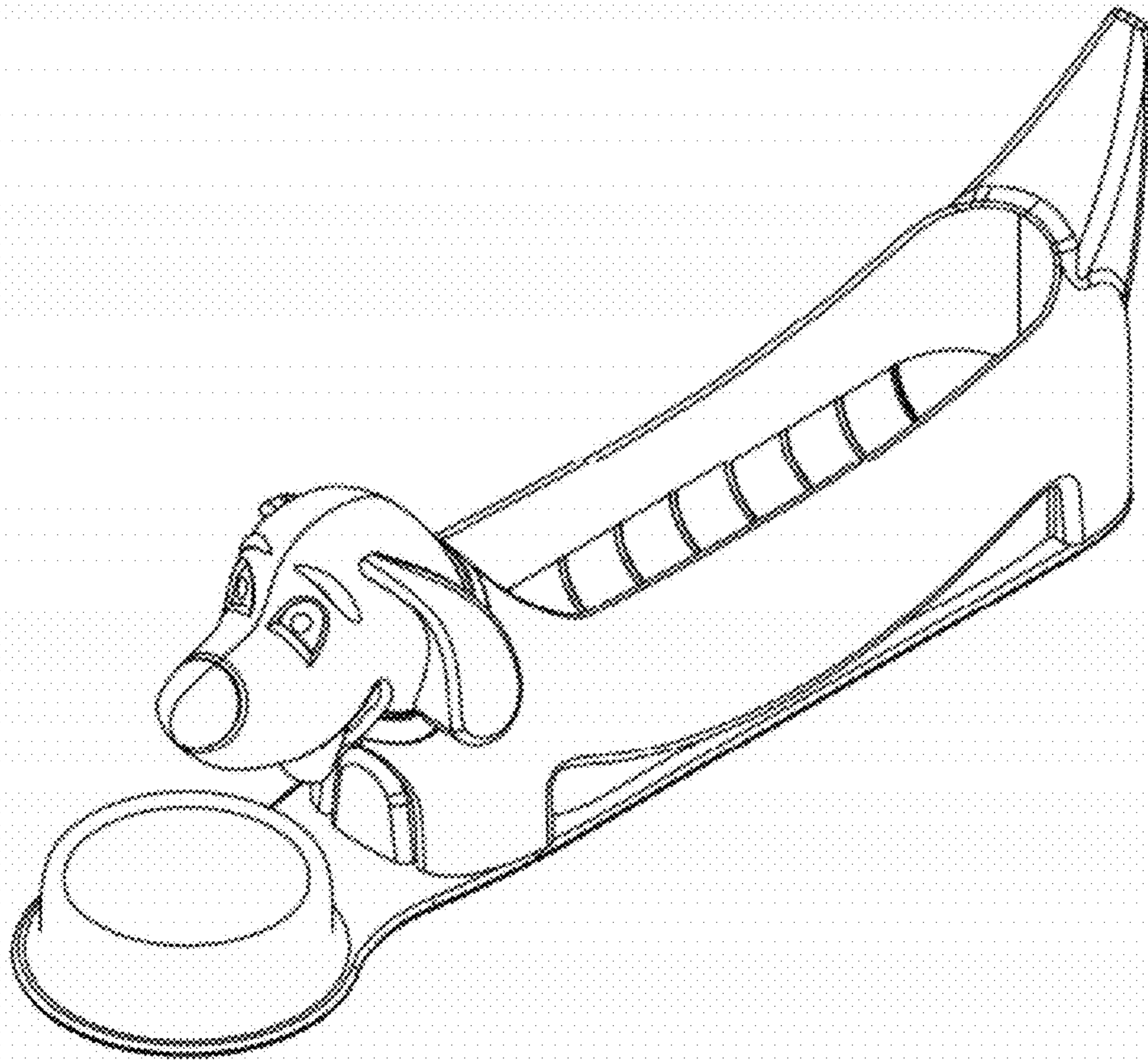


FIG 8

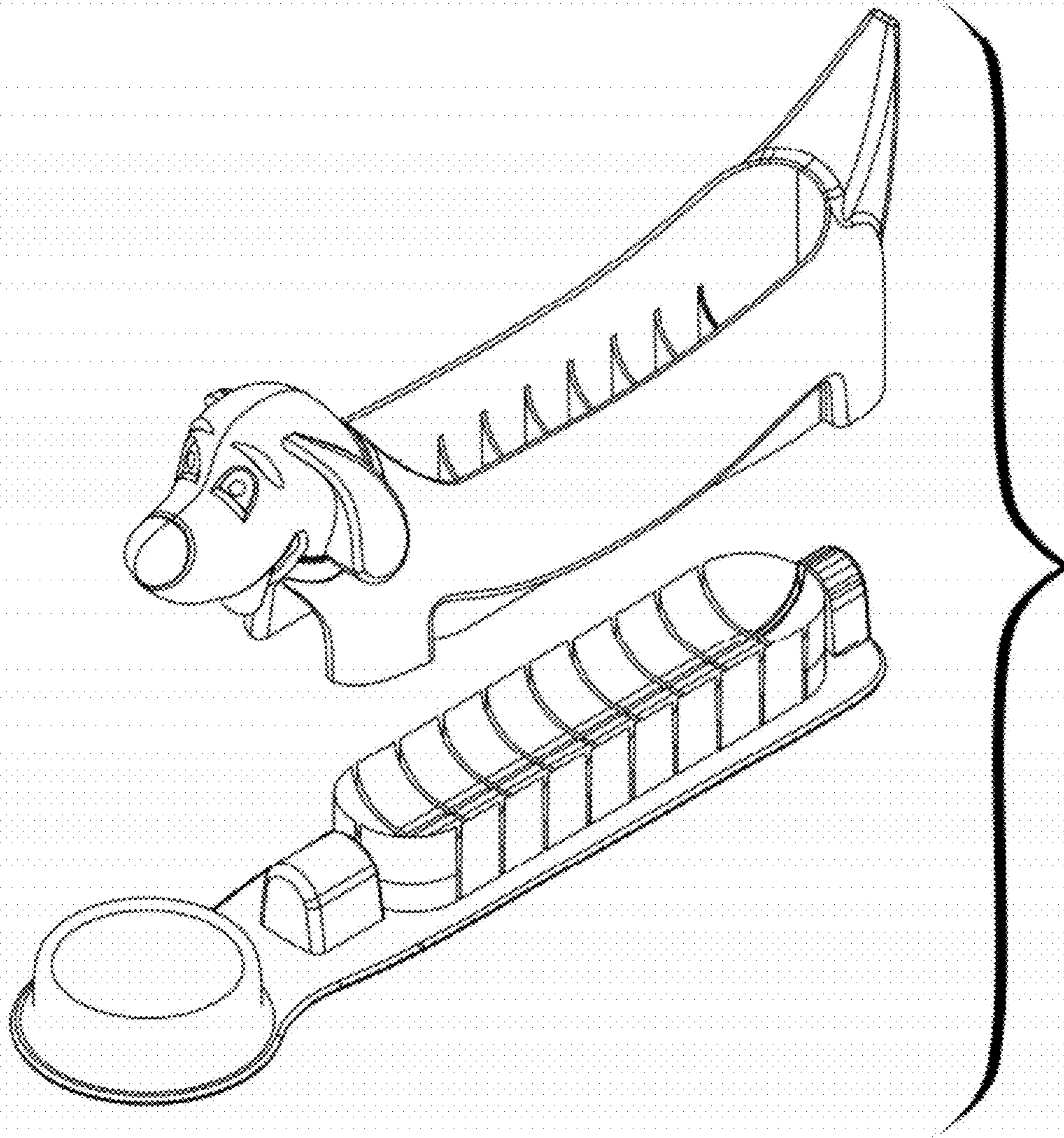


FIG 9