



US00D670139S

(12) **United States Design Patent**
Greer

(10) **Patent No.:** **US D670,139 S**

(45) **Date of Patent:** **** Nov. 6, 2012**

(54) **BARBECUE GRILL LIFTING TOOL**

(76) Inventor: **James K. Greer**, Kansas City, MO (US)

(**) Term: **14 Years**

(21) Appl. No.: **29/399,327**

(22) Filed: **Aug. 12, 2011**

(51) **LOC (9) Cl.** **07-02**

(52) **U.S. Cl.** **D7/669**

(58) **Field of Classification Search** D7/669,
D7/332, 402-406, 334-337, 688; 99/481-482,
99/450; 126/25 R, 29-30, 25, 25 AA, 9 R,
126/9 B, 43-45, 38, 37 R, 37 B, 40, 50; 294/9-12,
294/32

See application file for complete search history.

(56) **References Cited**

U.S. PATENT DOCUMENTS

358,803 A	3/1887	Chestnut	
D246,886 S	1/1978	Malafouris	
D270,016 S *	8/1983	Allen	D3/315
4,471,985 A	9/1984	Mahoney	
4,482,181 A *	11/1984	Shepherd	294/12
D312,375 S *	11/1990	Hessler	D7/368
5,071,182 A	12/1991	Mair	
5,183,304 A *	2/1993	Mair	294/10

D341,065 S	11/1993	Martner	
5,346,268 A *	9/1994	Baker et al.	294/9
D358,073 S *	5/1995	Eckert	D7/368
D468,976 S *	1/2003	Mitchell	D7/688
6,752,441 B1	6/2004	Morris	
7,108,304 B2	9/2006	White	
D604,122 S	11/2009	Borovicka et al.	

* cited by examiner

Primary Examiner — Terry Wallace

(74) *Attorney, Agent, or Firm* — Erickson Kernell
Derousseau & Kleypas, LLC

(57) **CLAIM**

The ornamental design for a barbecue grill lifting tool, as shown and described.

DESCRIPTION

FIG. 1 is a perspective view of a barbecue grill lifting tool showing my new design;

FIG. 2 is a top view thereof;

FIG. 3 is a left side elevational view thereof;

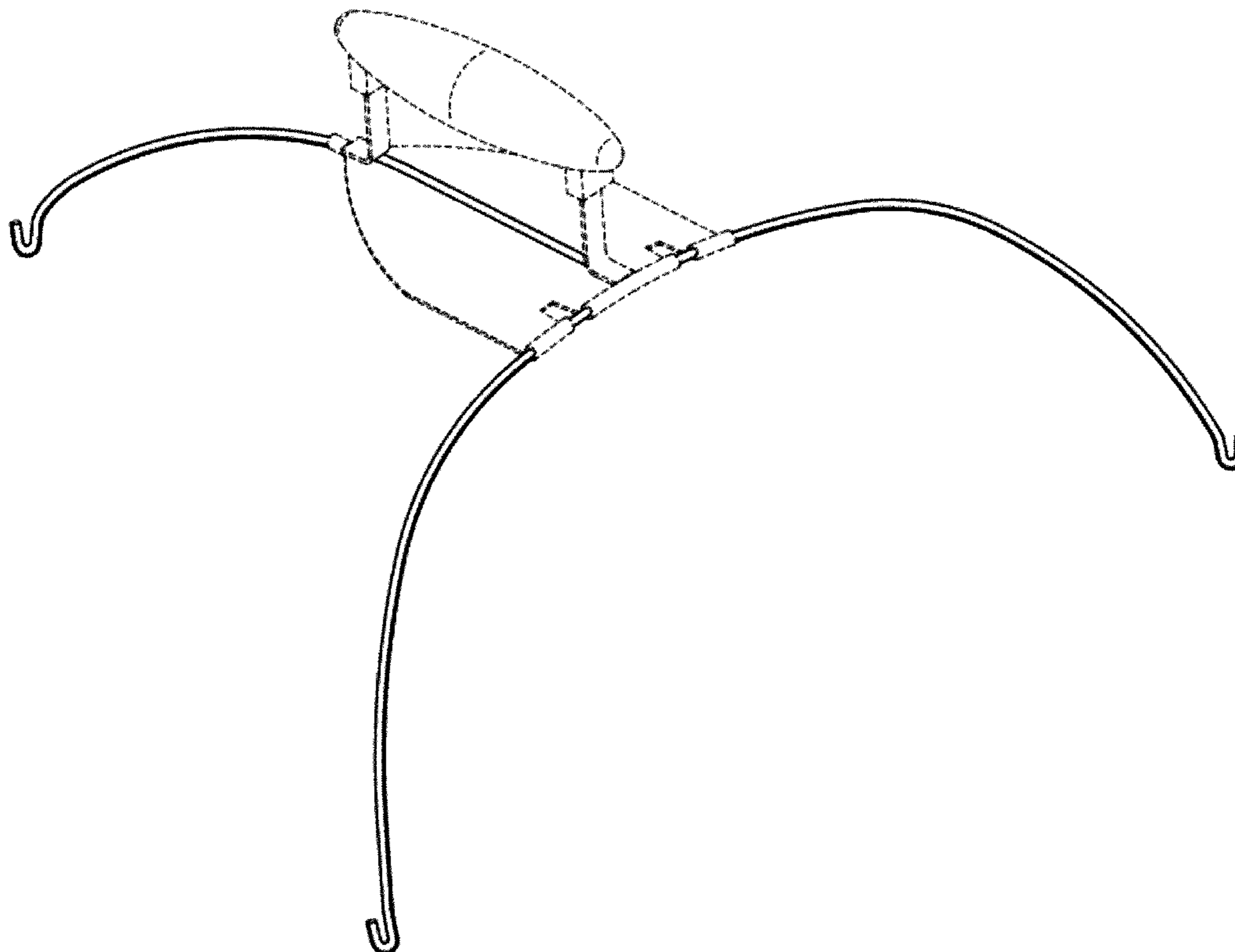
FIG. 4 is a rear elevational view thereof;

FIG. 5 is a front elevational view thereof; and,

FIG. 6 is a bottom view thereof.

The broken line representations in FIGS. 1-6 are for purposes of illustration only and form no part of the claim.

1 Claim, 4 Drawing Sheets



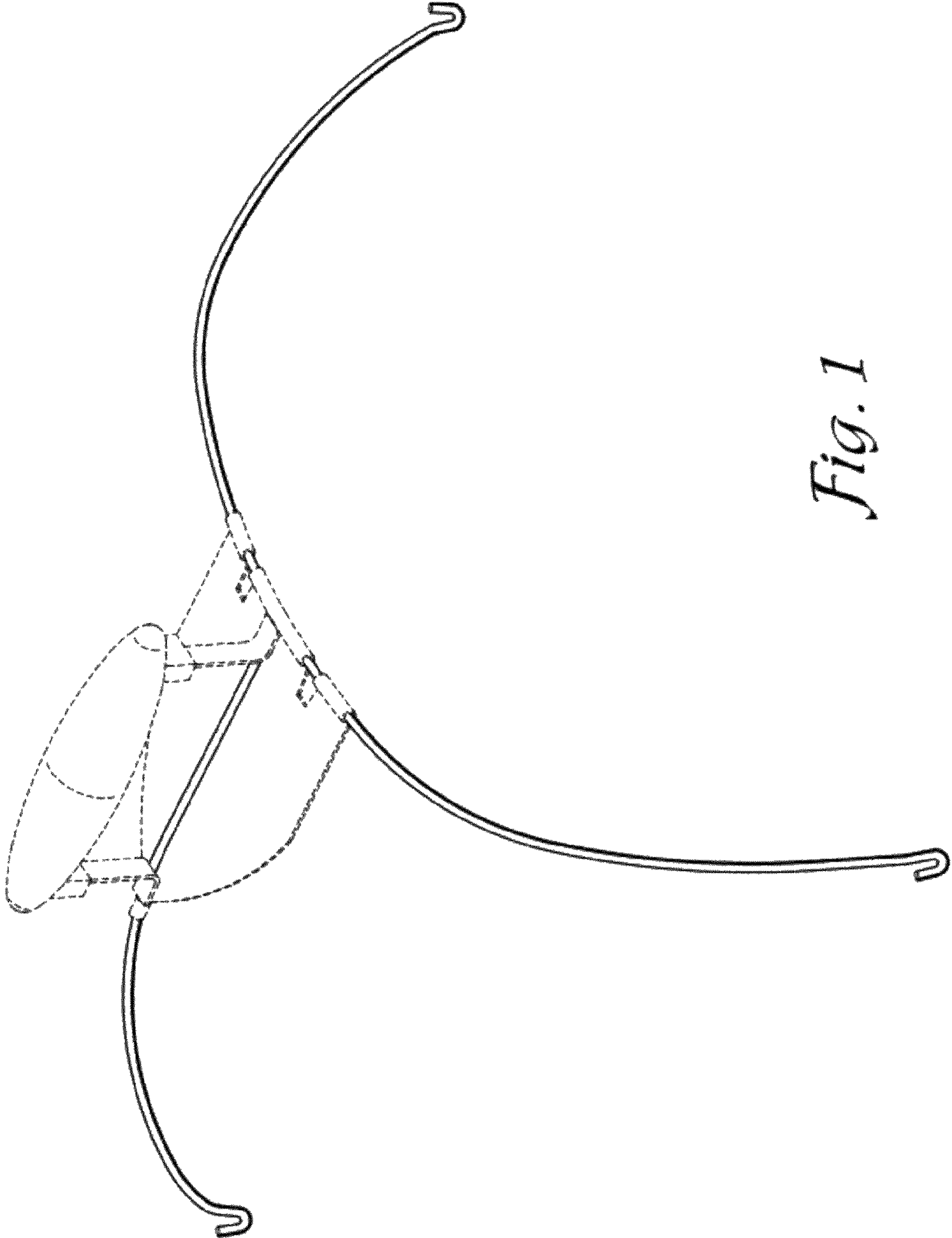


Fig. 1

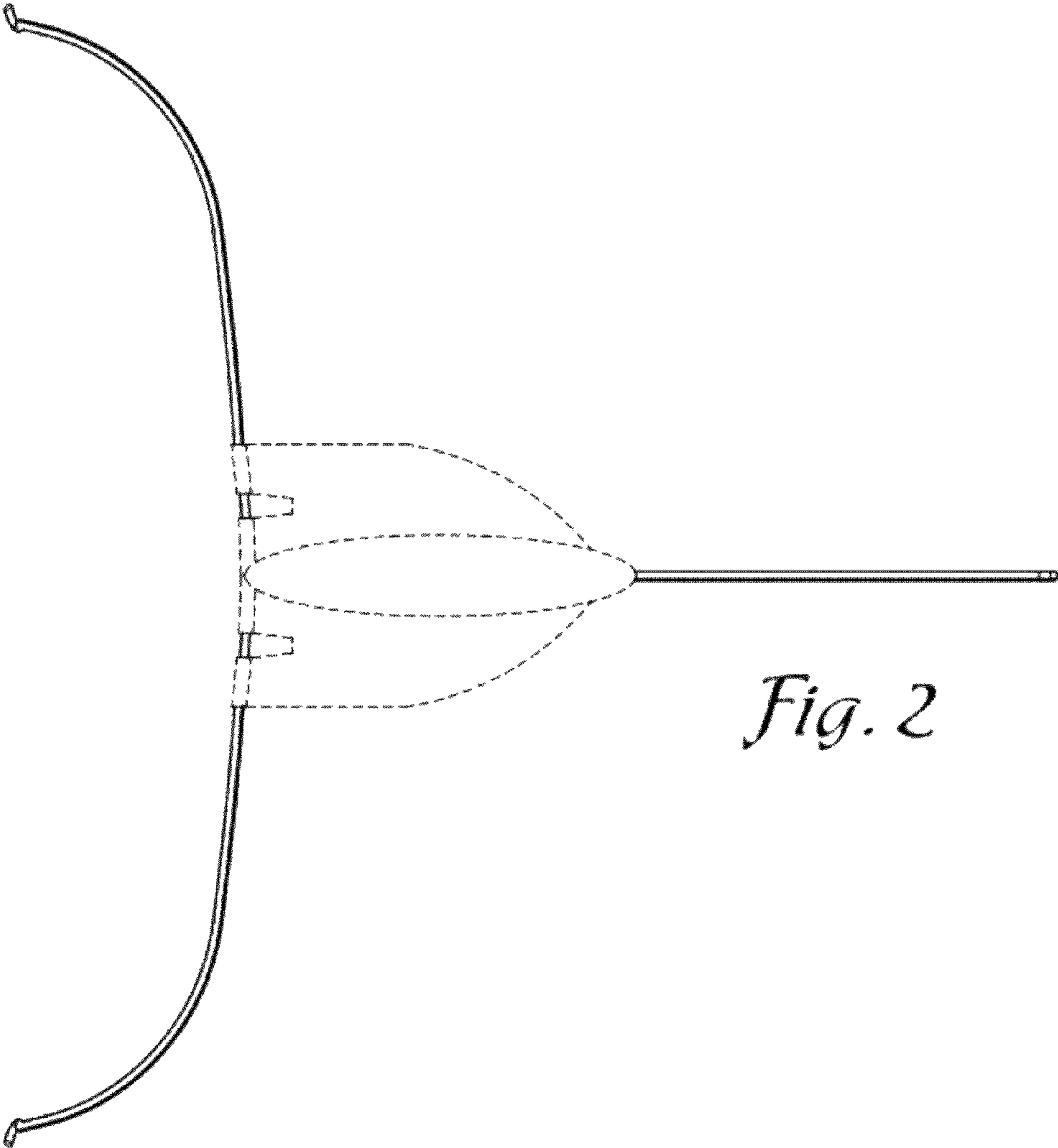


Fig. 2

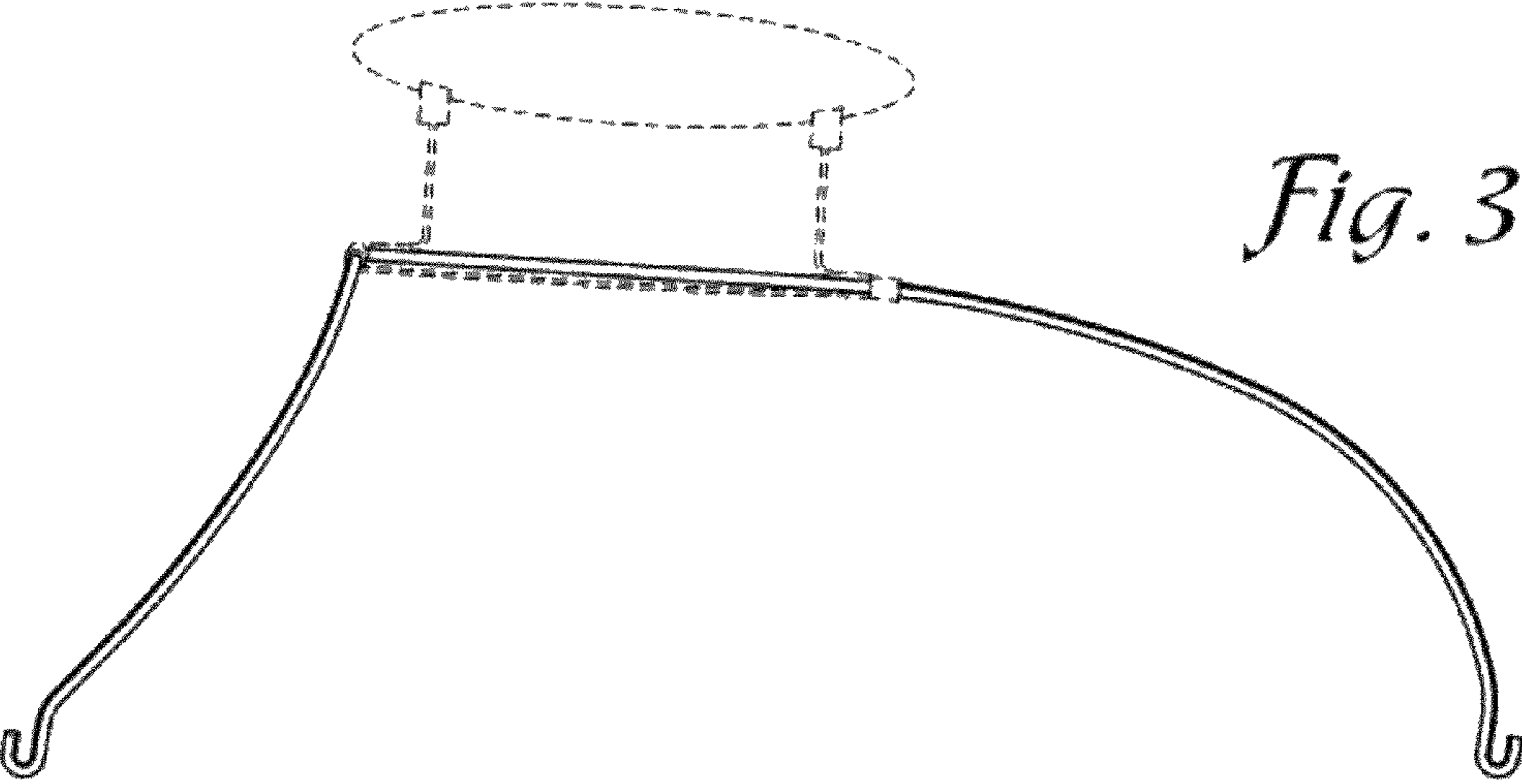


Fig. 3

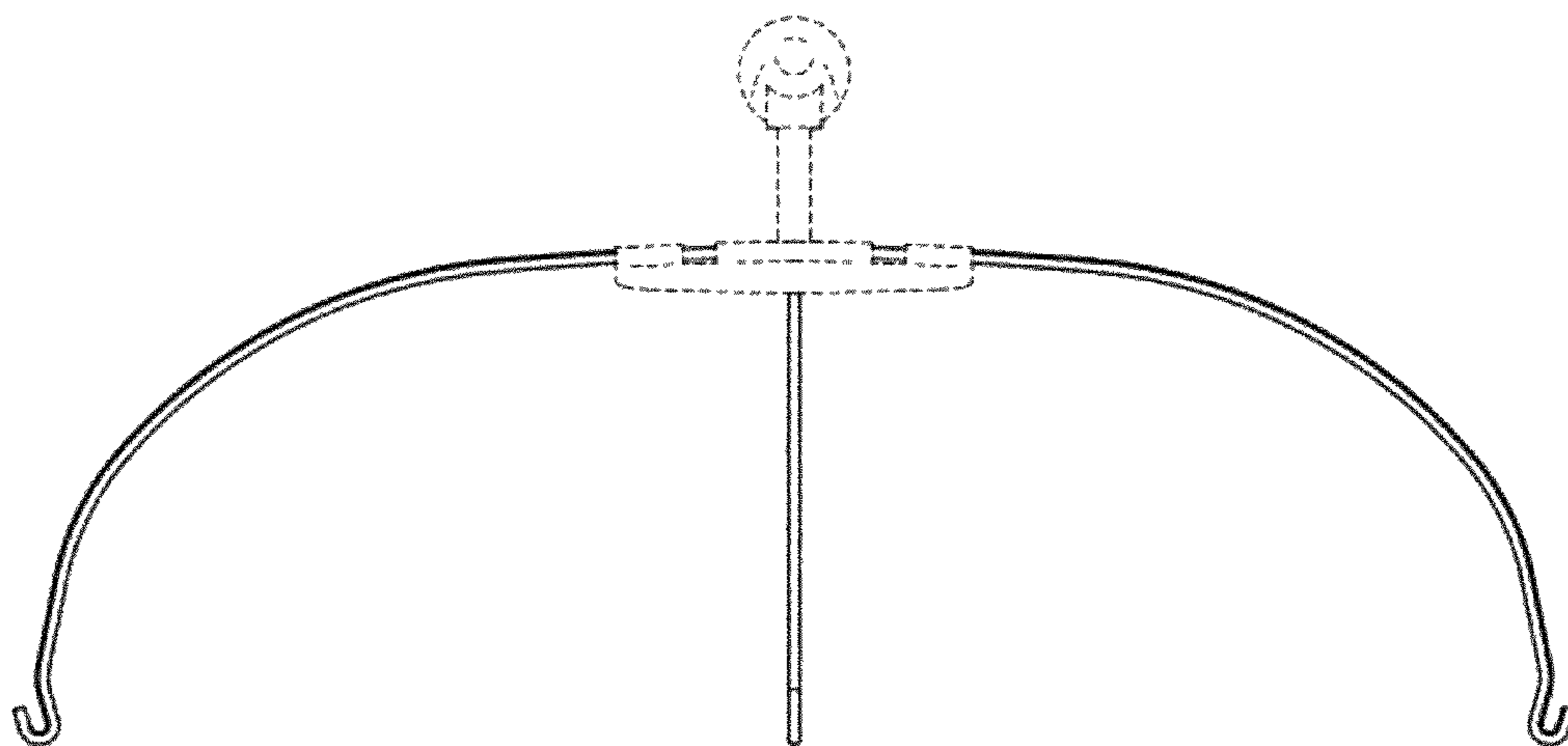


Fig. 4

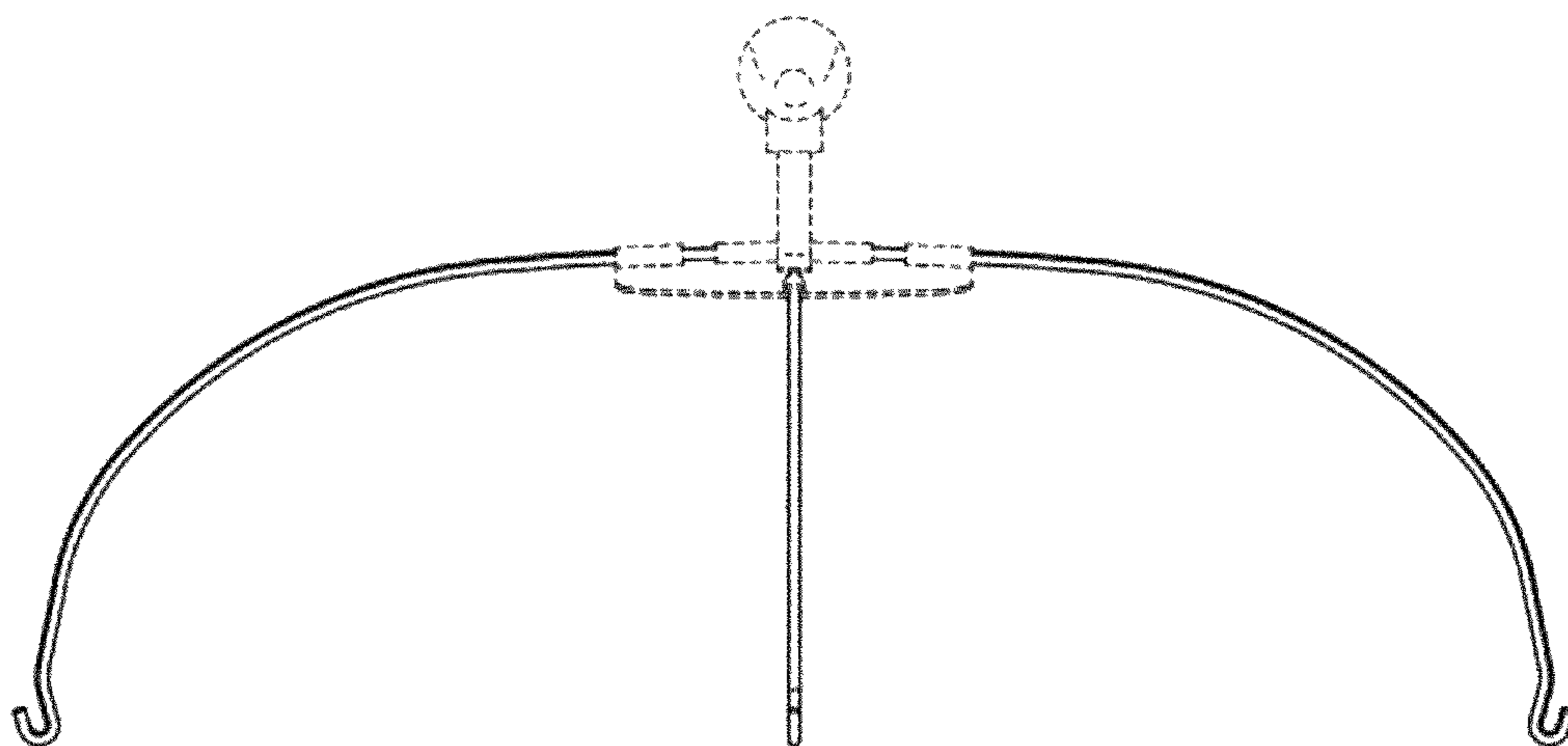


Fig. 5

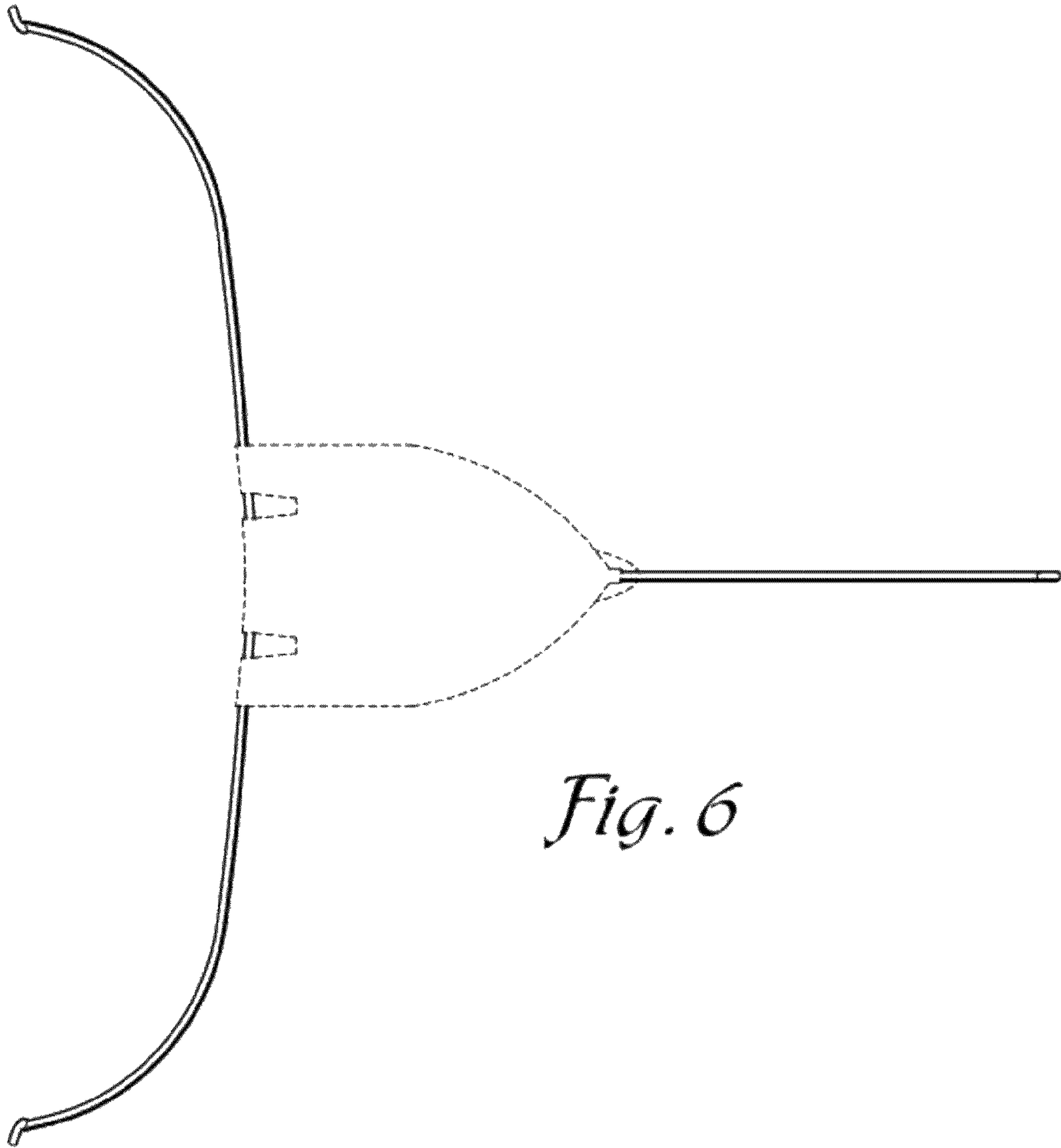


Fig. 6