



US00D670133S

(12) **United States Design Patent**
Caswell et al.

(10) **Patent No.:** **US D670,133 S**
(45) **Date of Patent:** **** Nov. 6, 2012**

(54) **COFFEE BEAN ROASTER**

(75) Inventors: **Michael R. Caswell**, New York, NY (US); **Stephen A. Magliocco**, Fort Lauderdale, FL (US); **David Phillips**, Palm Beach Gardens, FL (US)

(73) Assignee: **Roasting Plant, Inc.**, New York, NY (US)

(**) Term: **14 Years**

(21) Appl. No.: **29/388,969**

(22) Filed: **Apr. 5, 2011**

(51) **LOC (9) Cl.** **31-00**

(52) **U.S. Cl.** **D7/373; D7/372**

(58) **Field of Classification Search** D7/301-313, D7/316-323, 338, 368, 372-386, 391, 402, D7/412-415, 515, 533, 665, 679; 99/326, 99/348, 508-511; 241/30-37.5, 101.01-101.2, 241/166-169.1, 172, 285.1-285.3, 291, 292.1; 366/64-67, 98, 129, 142, 197-211, 241-254, 366/262, 274, 279, 325.8, 325.92, 341-347; 416/75-77, 70 R, 163

See application file for complete search history.

(56) **References Cited**

U.S. PATENT DOCUMENTS

3,138,370 A * 6/1964 Anderson et al. 366/274
3,384,353 A * 5/1968 Worth 366/274
4,541,573 A * 9/1985 Fujiwara et al. 241/36

4,911,556 A * 3/1990 Lim et al. 366/279
D316,798 S * 5/1991 Munk D7/338
D366,808 S * 2/1996 Newnan D7/402
D373,046 S * 8/1996 Newnan D7/323
D400,048 S * 10/1998 Ollson D7/378

* cited by examiner

Primary Examiner — Ricky Pham

(74) *Attorney, Agent, or Firm* — McCarter & English, LLP

(57) **CLAIM**

The ornamental design for a coffee bean roaster, as shown and described.

DESCRIPTION

FIG. 1 is a front perspective view of an exemplary embodiment of a coffee bean roaster showing the design;

FIG. 2 is a front elevational view of an exemplary embodiment of a coffee bean roaster showing the design;

FIG. 3 is a rear elevational view of an exemplary embodiment of a coffee bean roaster showing the design;

FIG. 4 is a left side elevational view of an exemplary embodiment of a coffee bean roaster showing the design;

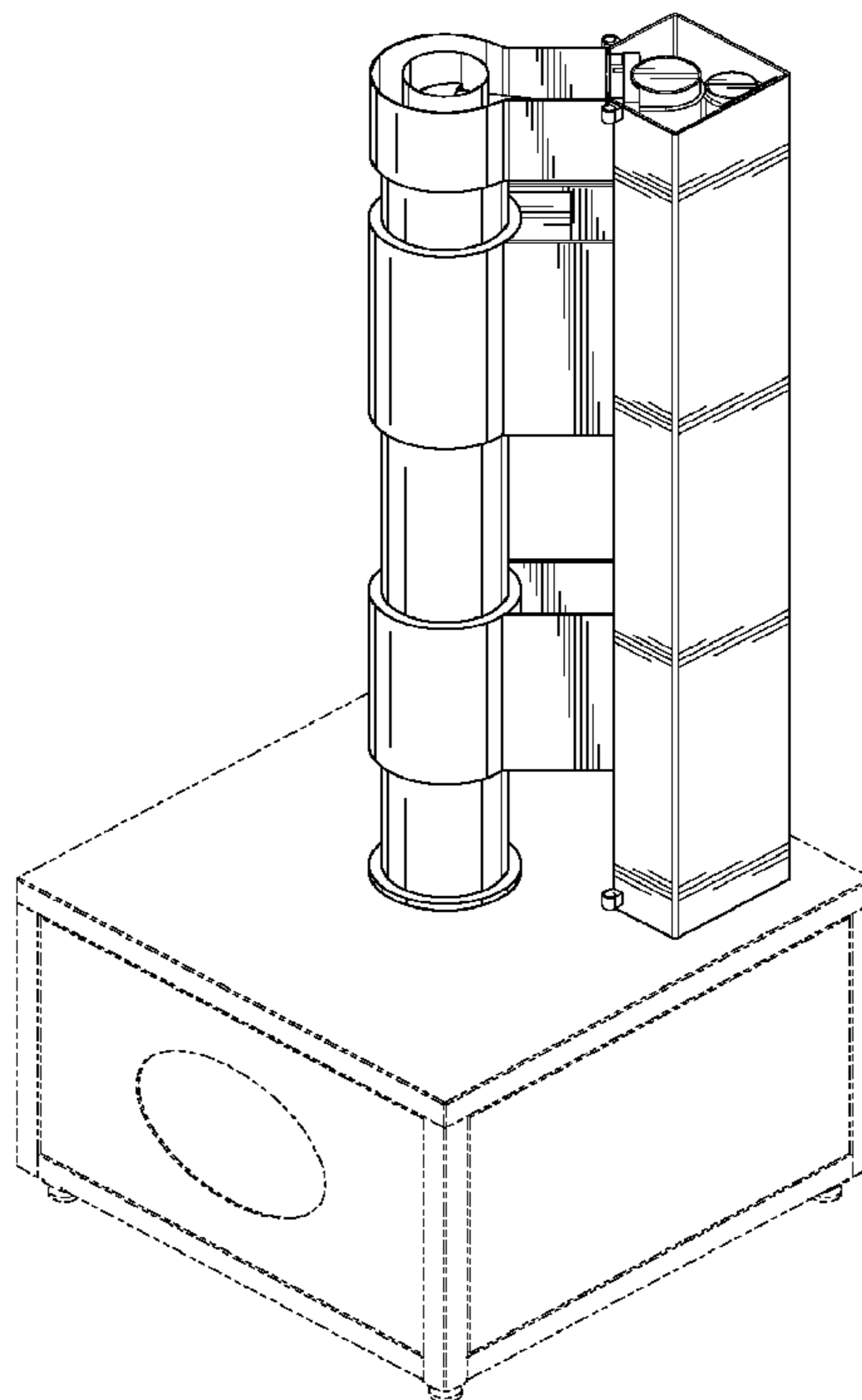
FIG. 5 is a right side elevational view of an exemplary embodiment of a coffee bean roaster showing the design;

FIG. 6 is a top plan view of an exemplary embodiment of a coffee bean roaster showing the design; and,

FIG. 7 is a bottom plan view of an exemplary embodiment of a coffee bean roaster showing the design.

The broken lines in the drawings are for the purpose of illustrating environmental structure and form no part of the claimed design.

1 Claim, 6 Drawing Sheets



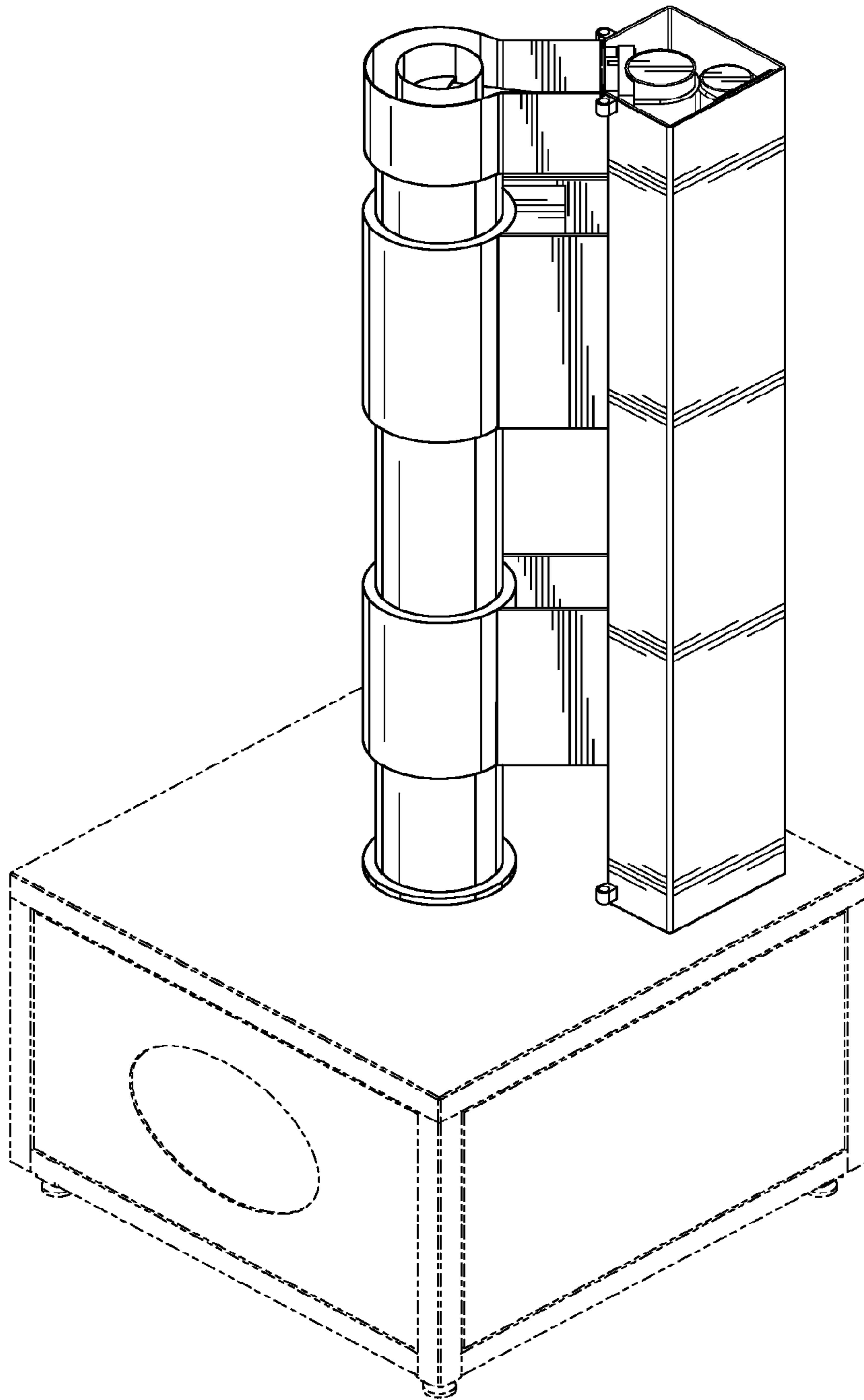


FIG. 1

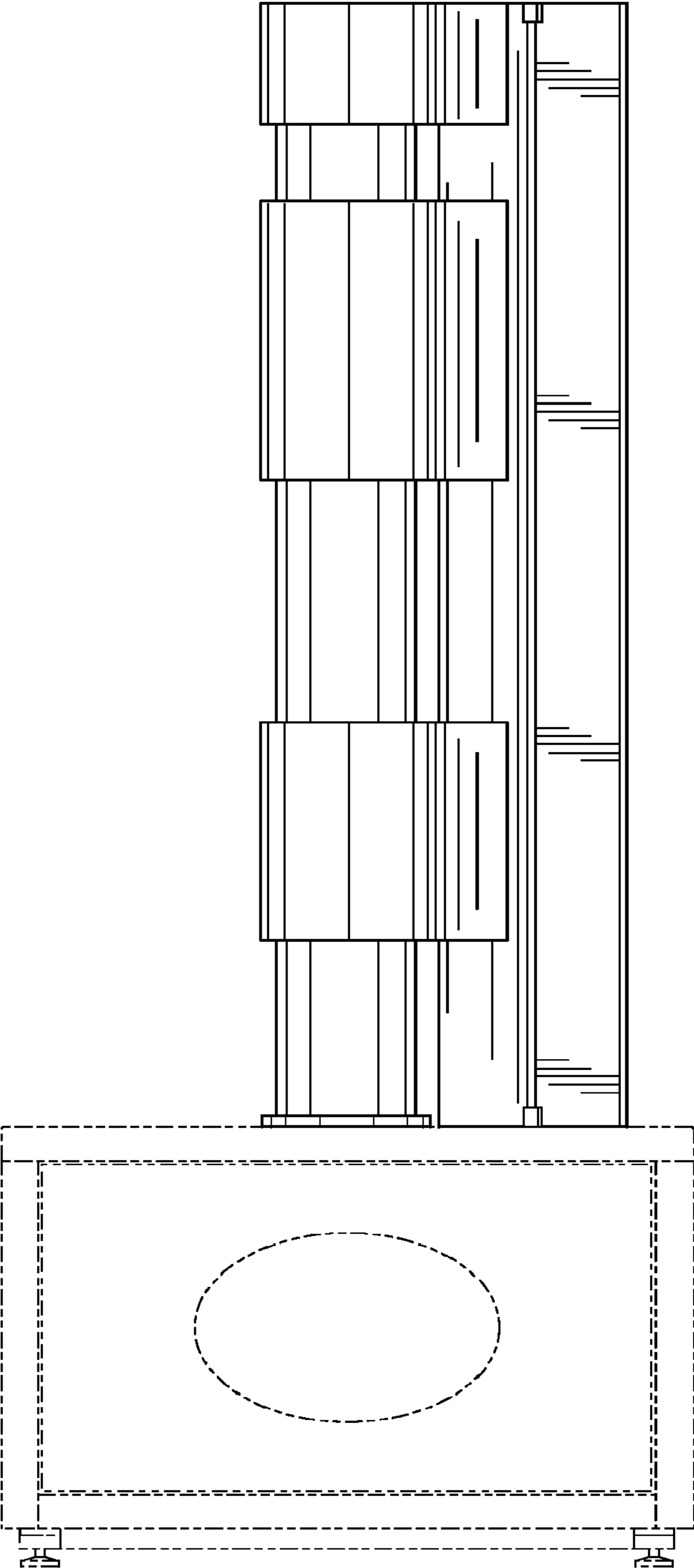


FIG. 2

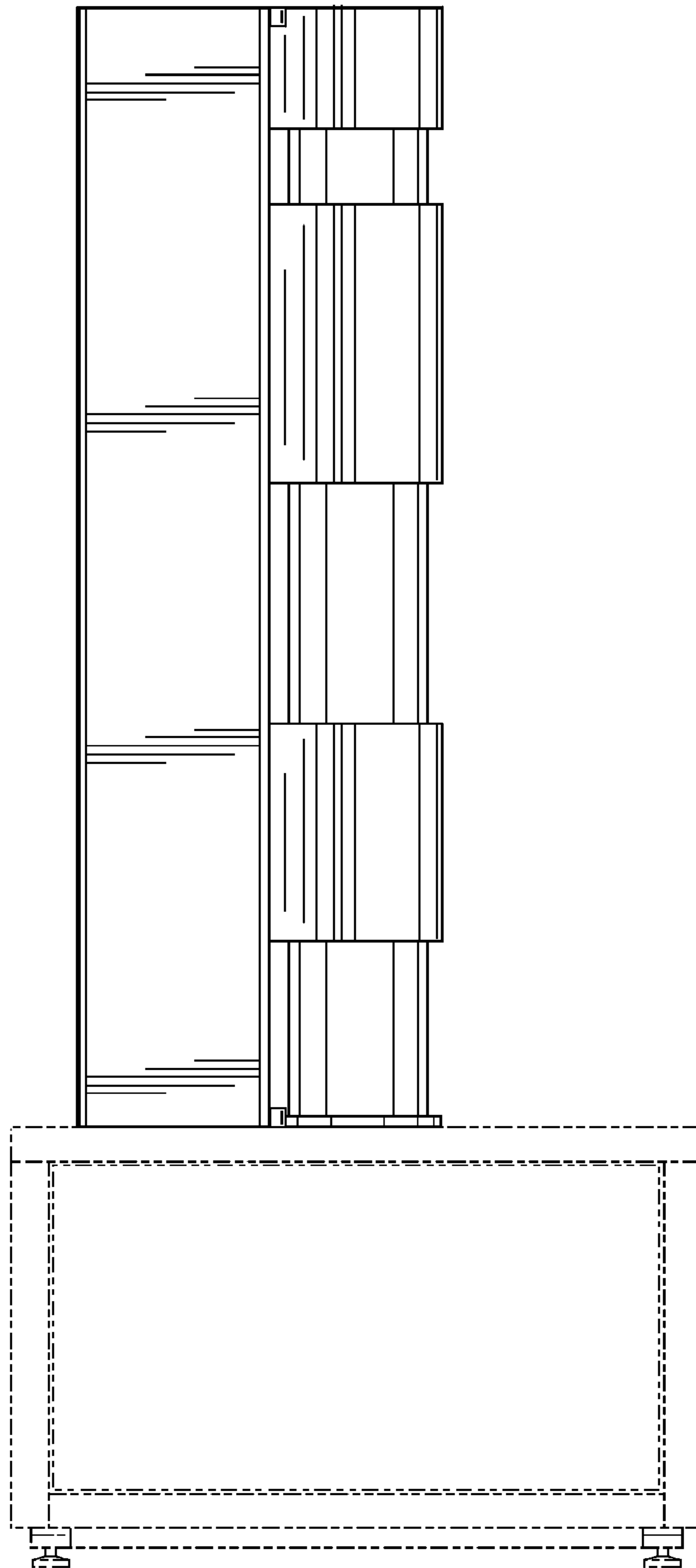


FIG. 3

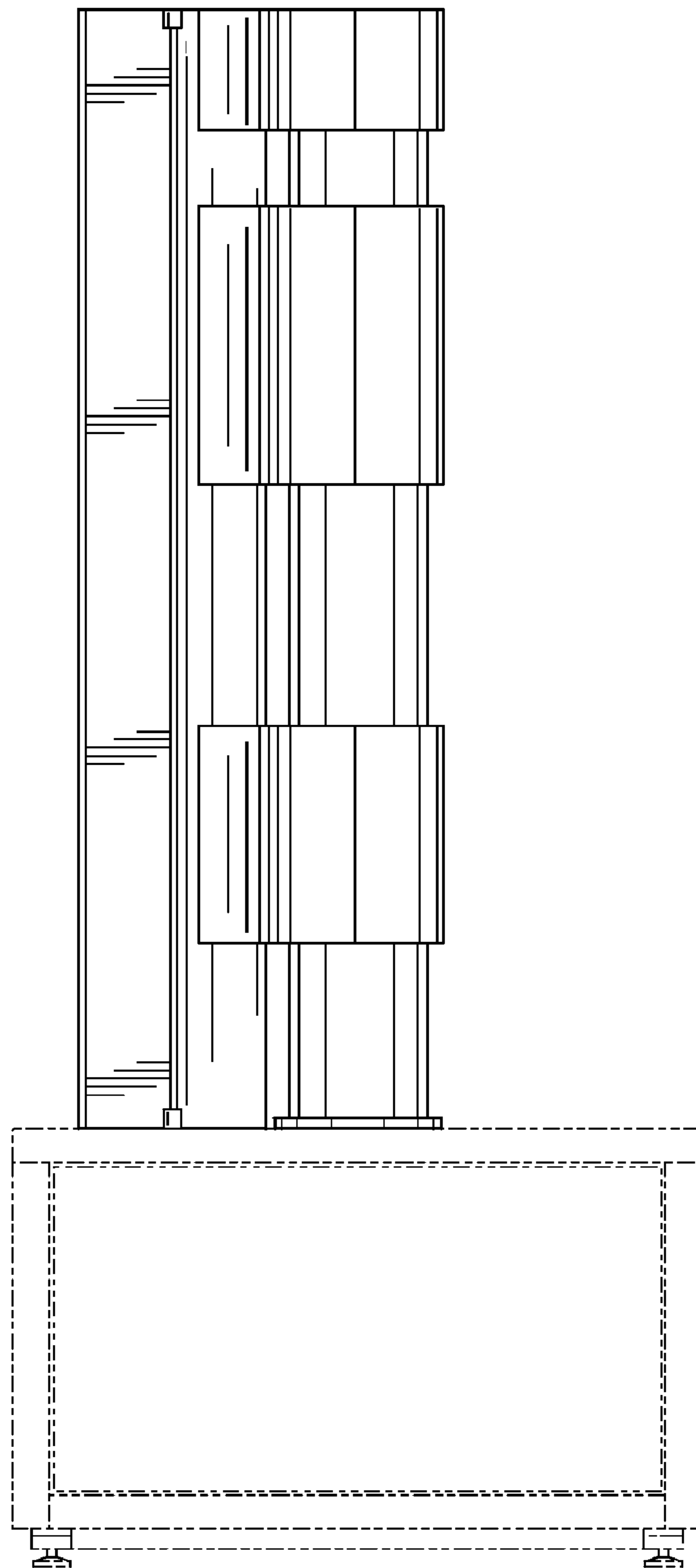


FIG. 4

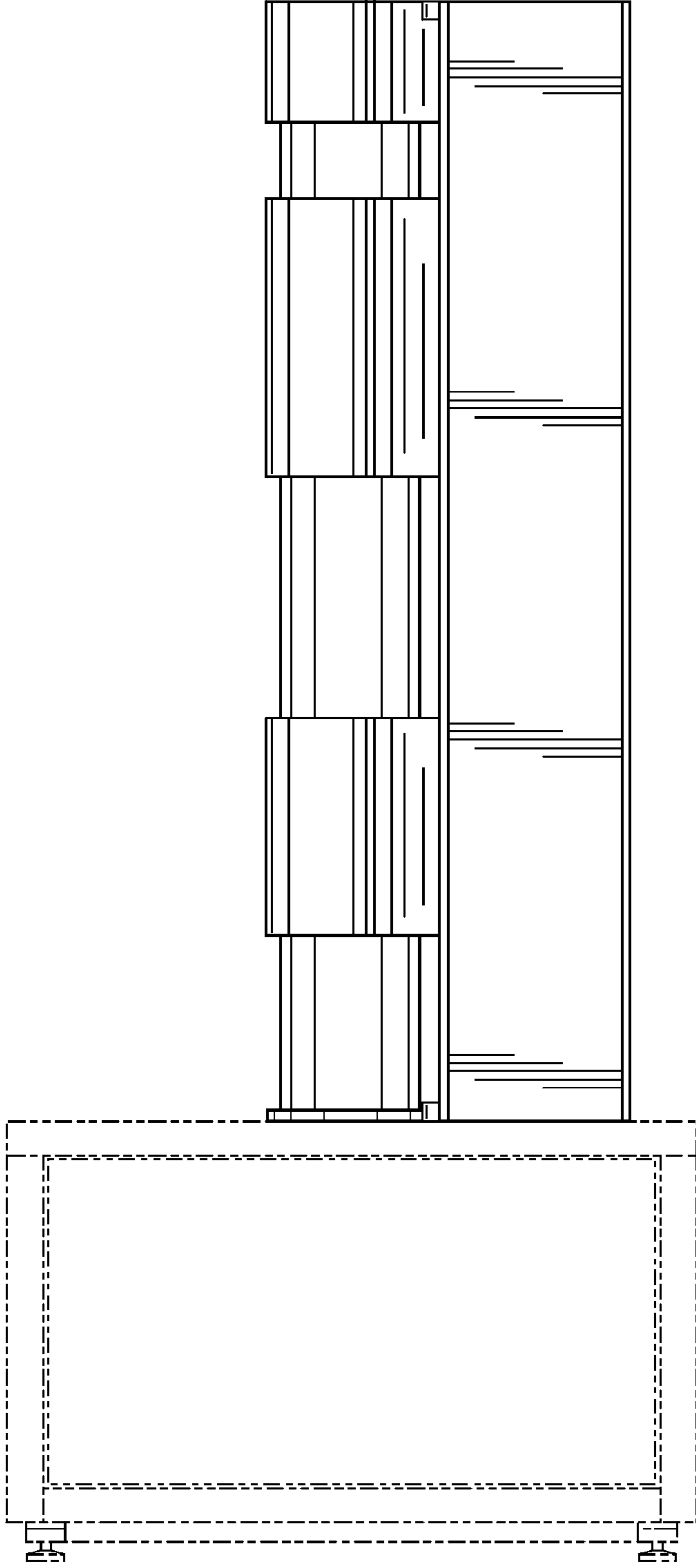


FIG. 5

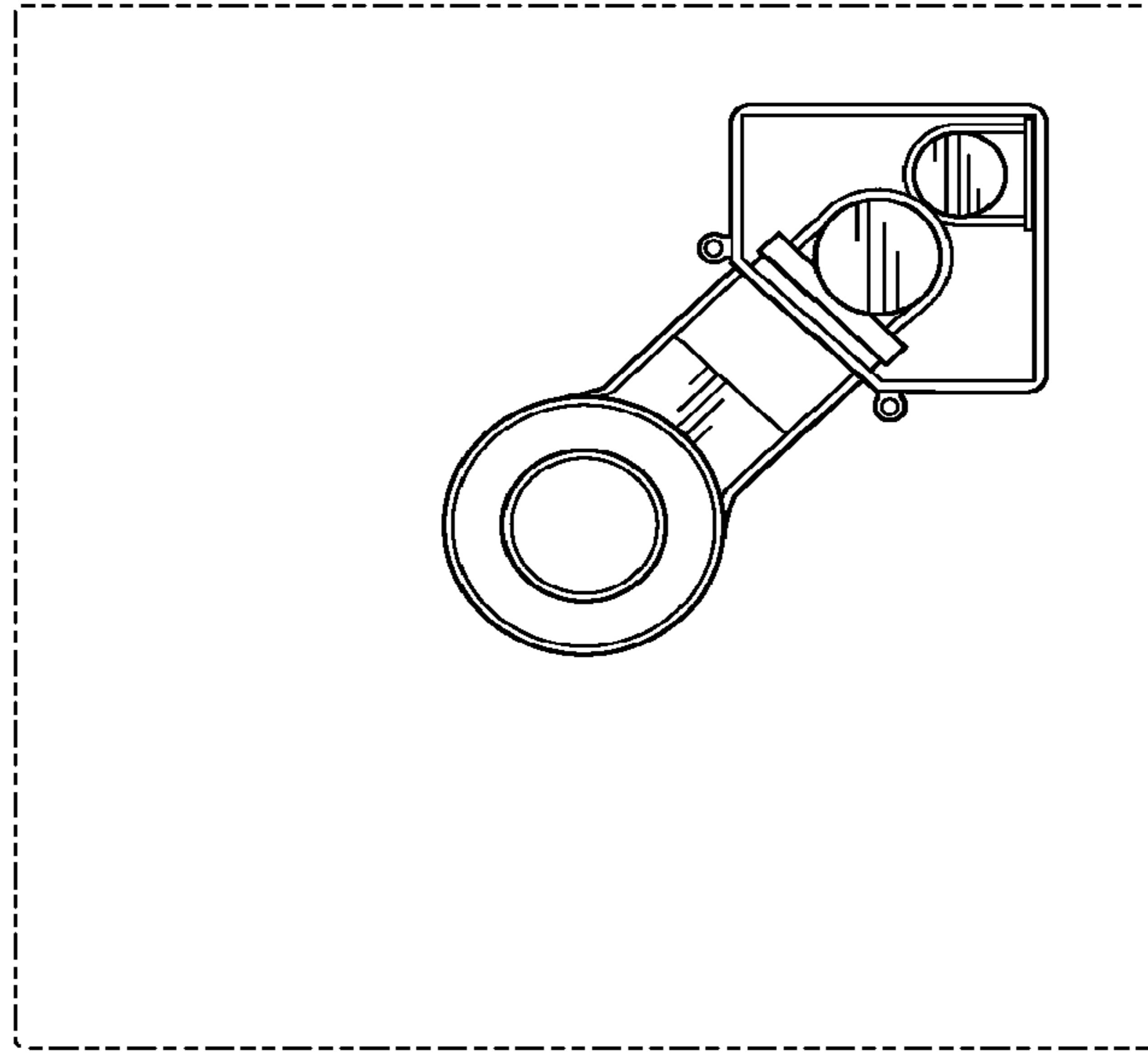


FIG. 6

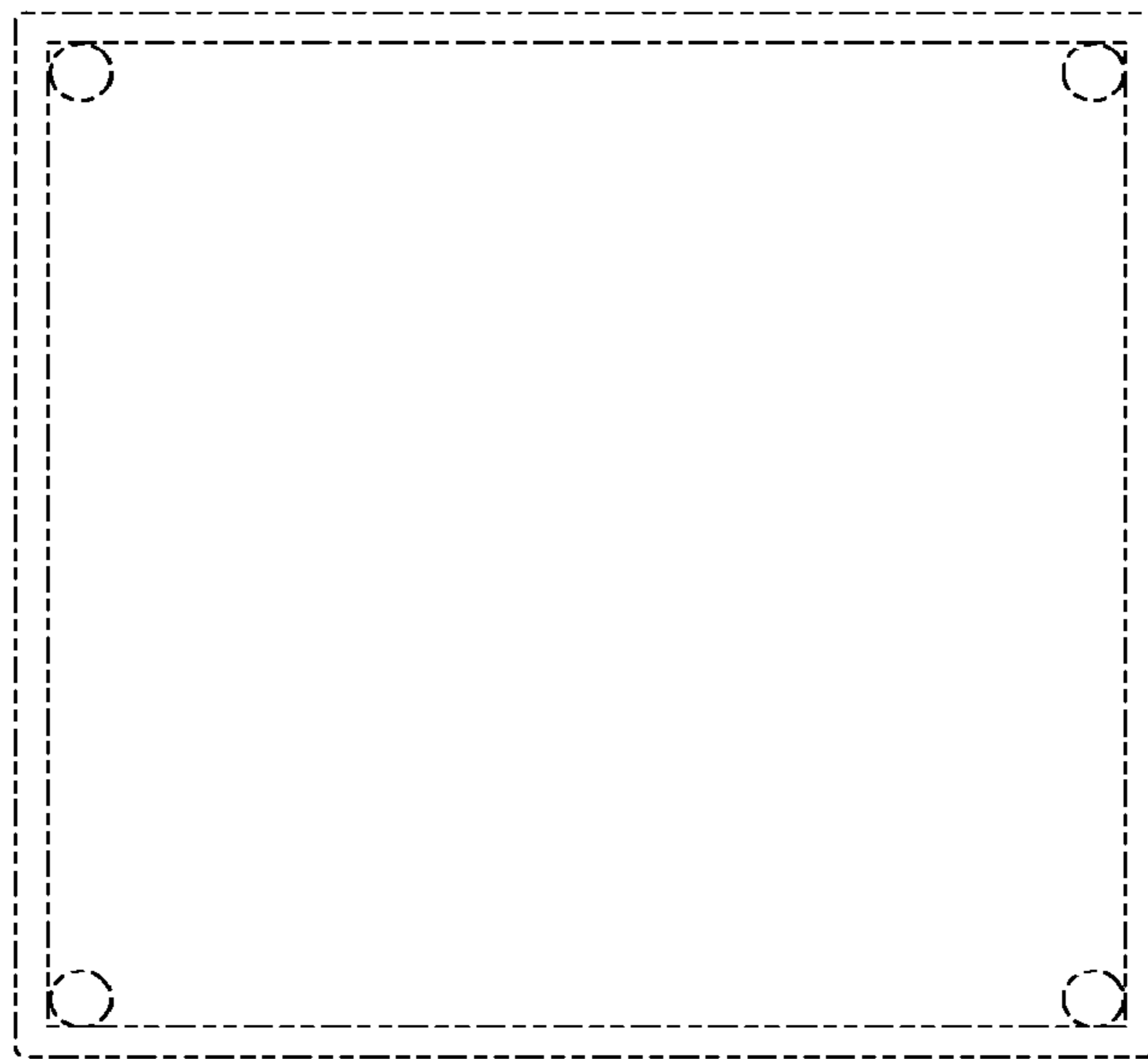


FIG. 7