



US00D670132S

(12) **United States Design Patent**
De'Longhi

(10) **Patent No.:** **US D670,132 S**

(45) **Date of Patent:** **** Nov. 6, 2012**

(54) **COFFEE MAKER**

(75) **Inventor:** **Giuseppe De'Longhi, Treviso (IT)**

(73) **Assignee:** **De' Longhi Appliances SRL Con Unico Socio, Treviso (IT)**

(**) **Term:** **14 Years**

(21) **Appl. No.:** **29/401,313**

(22) **Filed:** **Sep. 9, 2011**

(30) **Foreign Application Priority Data**

Mar. 9, 2011 (EM) 1264428-0001

(51) **LOC (9) Cl.** **07-01**

(52) **U.S. Cl.** **D7/310; D7/309; D7/311**

(58) **Field of Classification Search** D7/306-311;
99/309, 280, 292, 992

See application file for complete search history.

(56) **References Cited**

U.S. PATENT DOCUMENTS

D354,878 S *	1/1995	Lin	D7/309
D386,039 S *	11/1997	Dingelstad	D7/309
D387,946 S *	12/1997	Hippen	D7/309
5,964,141 A *	10/1999	Andrew et al.	99/280

D446,987 S *	8/2001	Bureaux	D7/309
D447,904 S *	9/2001	Kling	D7/309
D454,466 S *	3/2002	Hong	D7/309
6,571,686 B1 *	6/2003	Riley et al.	99/299
D484,733 S *	1/2004	Kling	D7/309
6,786,133 B1 *	9/2004	Cheng	99/280
D529,751 S *	10/2006	Sumser et al.	D7/309
D545,608 S *	7/2007	Picozza et al.	D7/309
D585,229 S *	1/2009	de Visser	D7/309

* cited by examiner

Primary Examiner — Marianne Pandozzi

(74) *Attorney, Agent, or Firm* — Hamre, Schumann, Mueller & Larson, P.C.

(57) **CLAIM**

The ornamental design for a coffee maker, as shown and described.

DESCRIPTION

FIG. 1 is a front right perspective view of a coffee maker showing my new design;
FIG. 2 is a front view thereof;
FIG. 3 is a back view thereof;
FIG. 4 is a right side view thereof;
FIG. 5 is a left side view thereof.
FIG. 6 is a top view thereof; and,
FIG. 7 is a bottom view thereof.

1 Claim, 7 Drawing Sheets

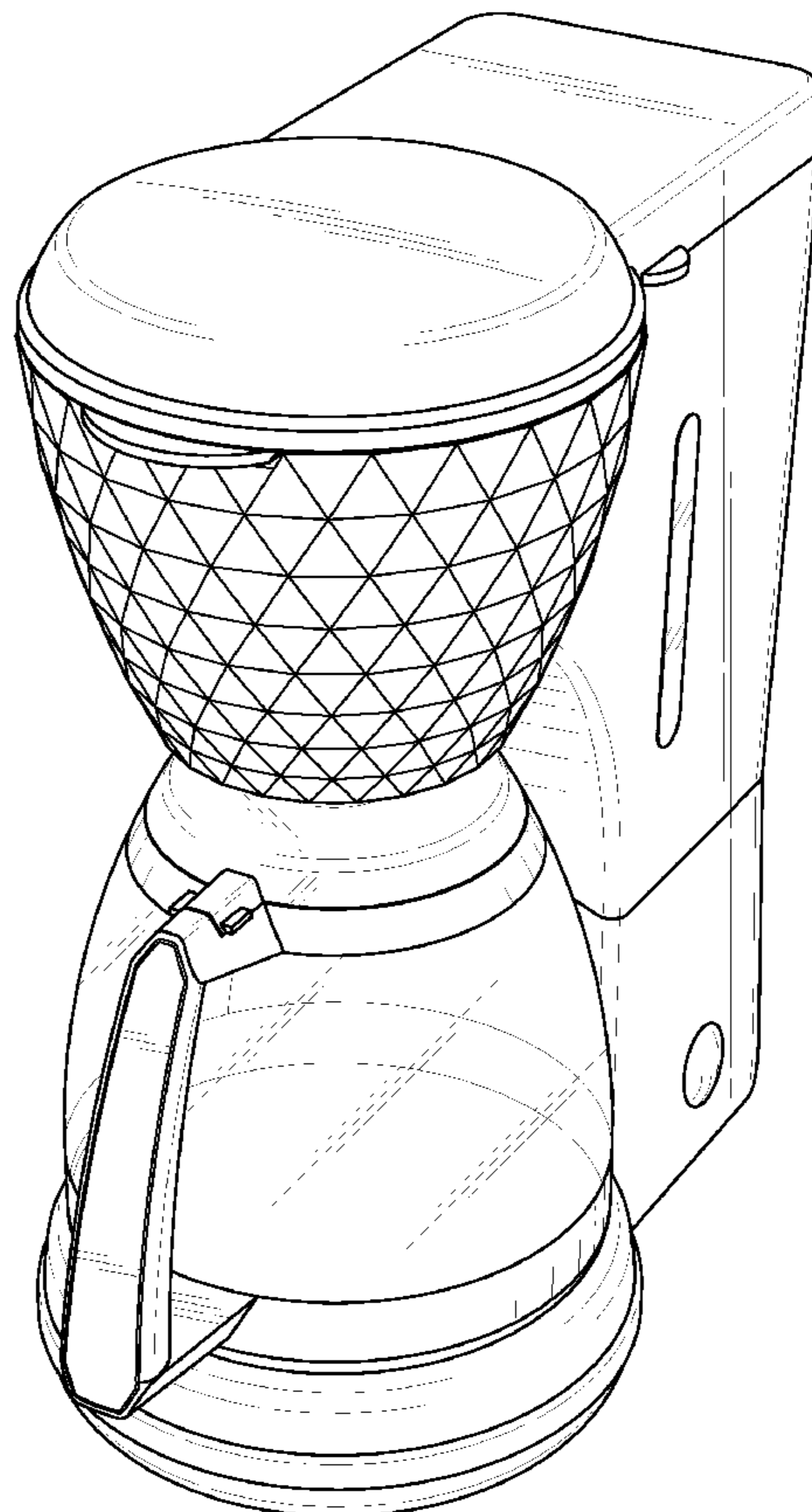


Fig. 1

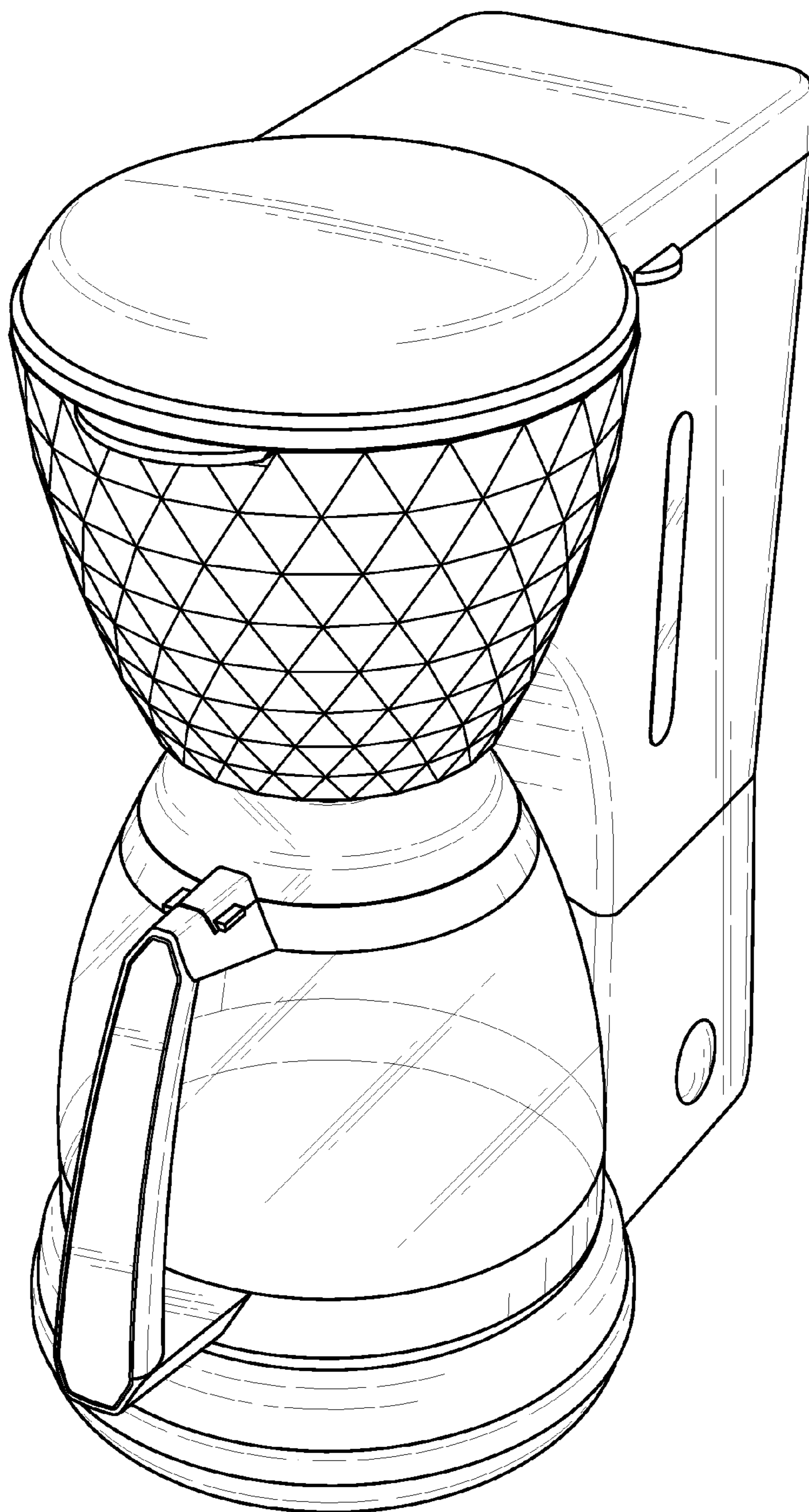


Fig. 2

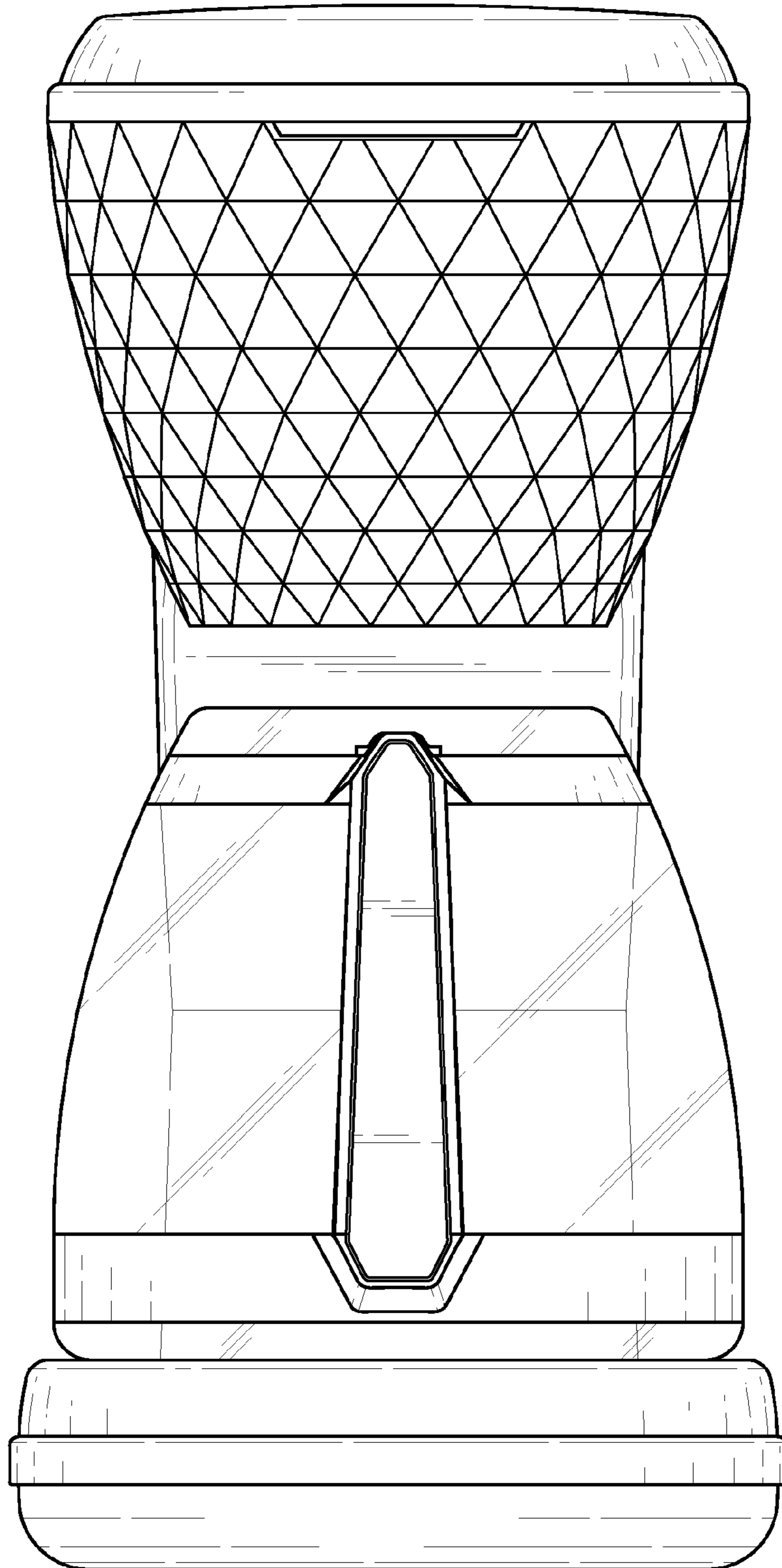


Fig. 3

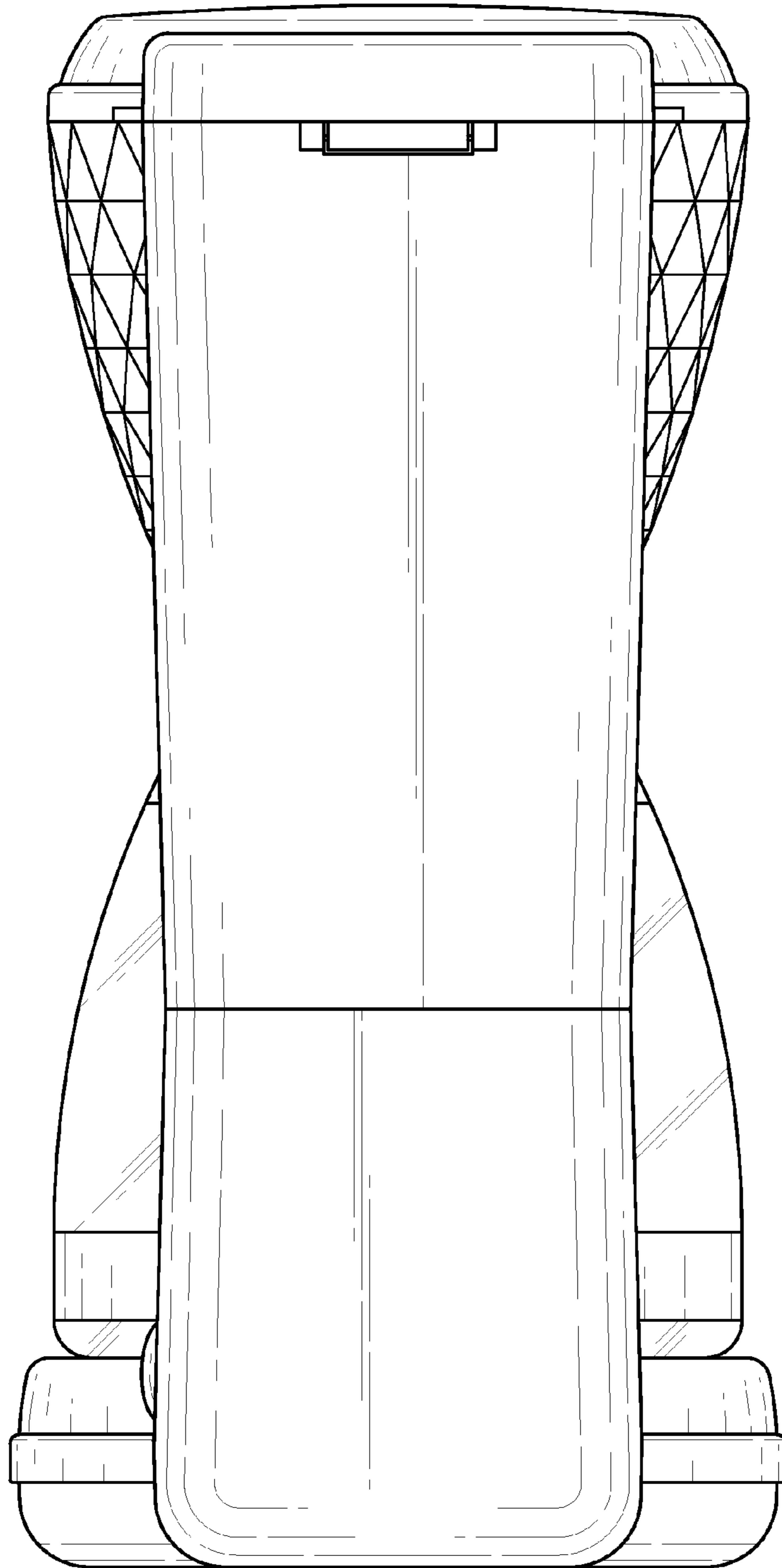


Fig. 4

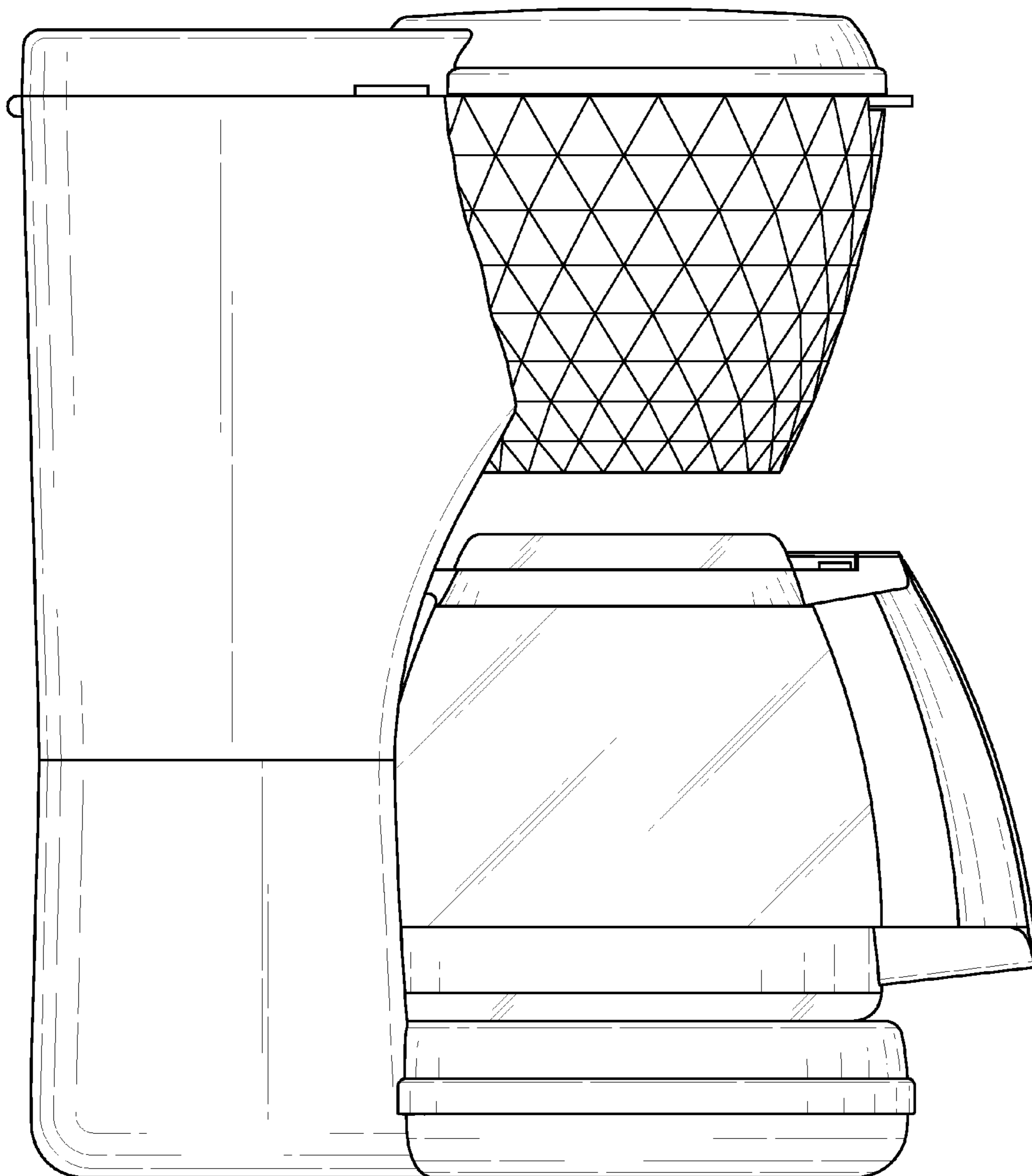


Fig. 5

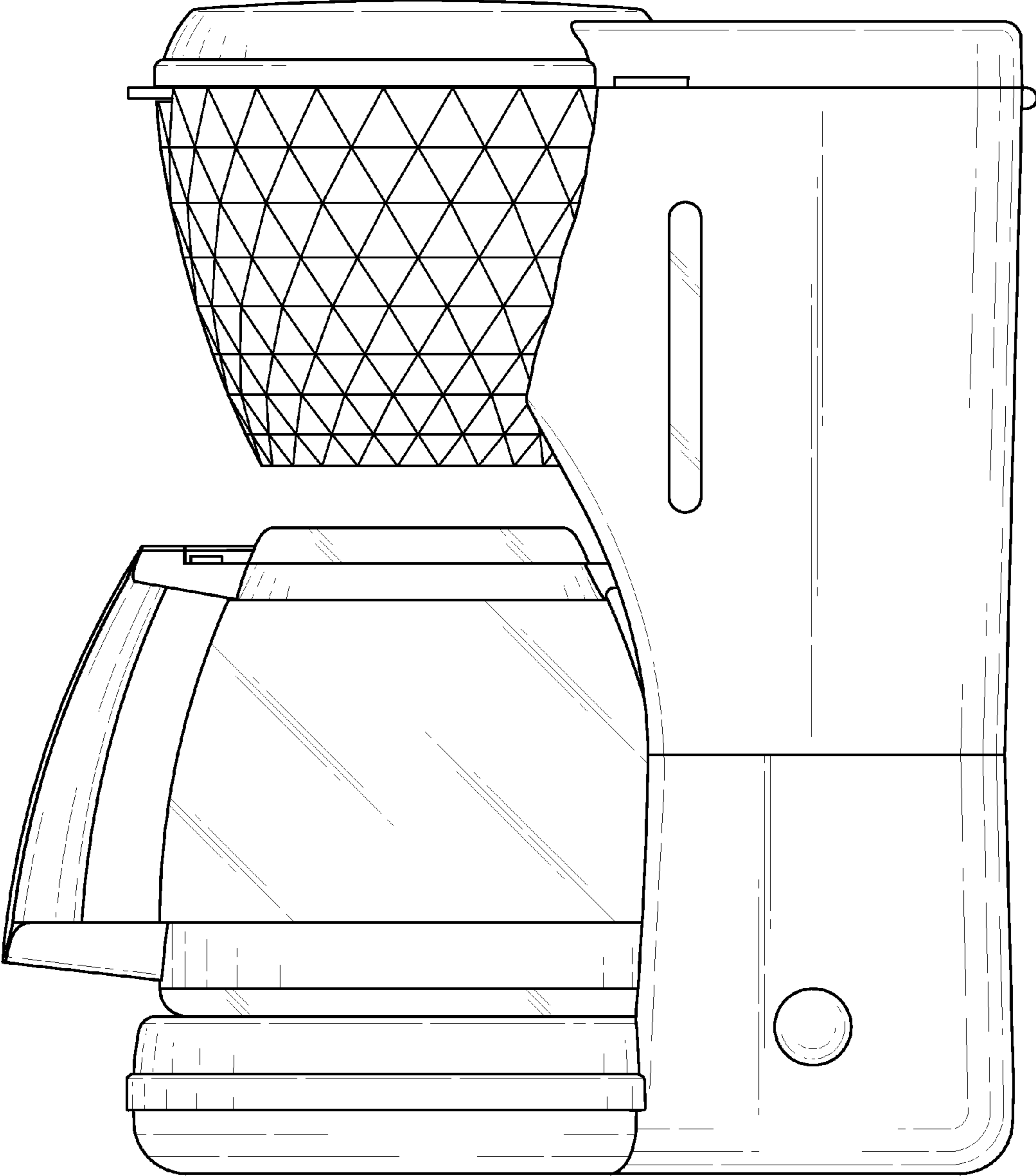


Fig. 6

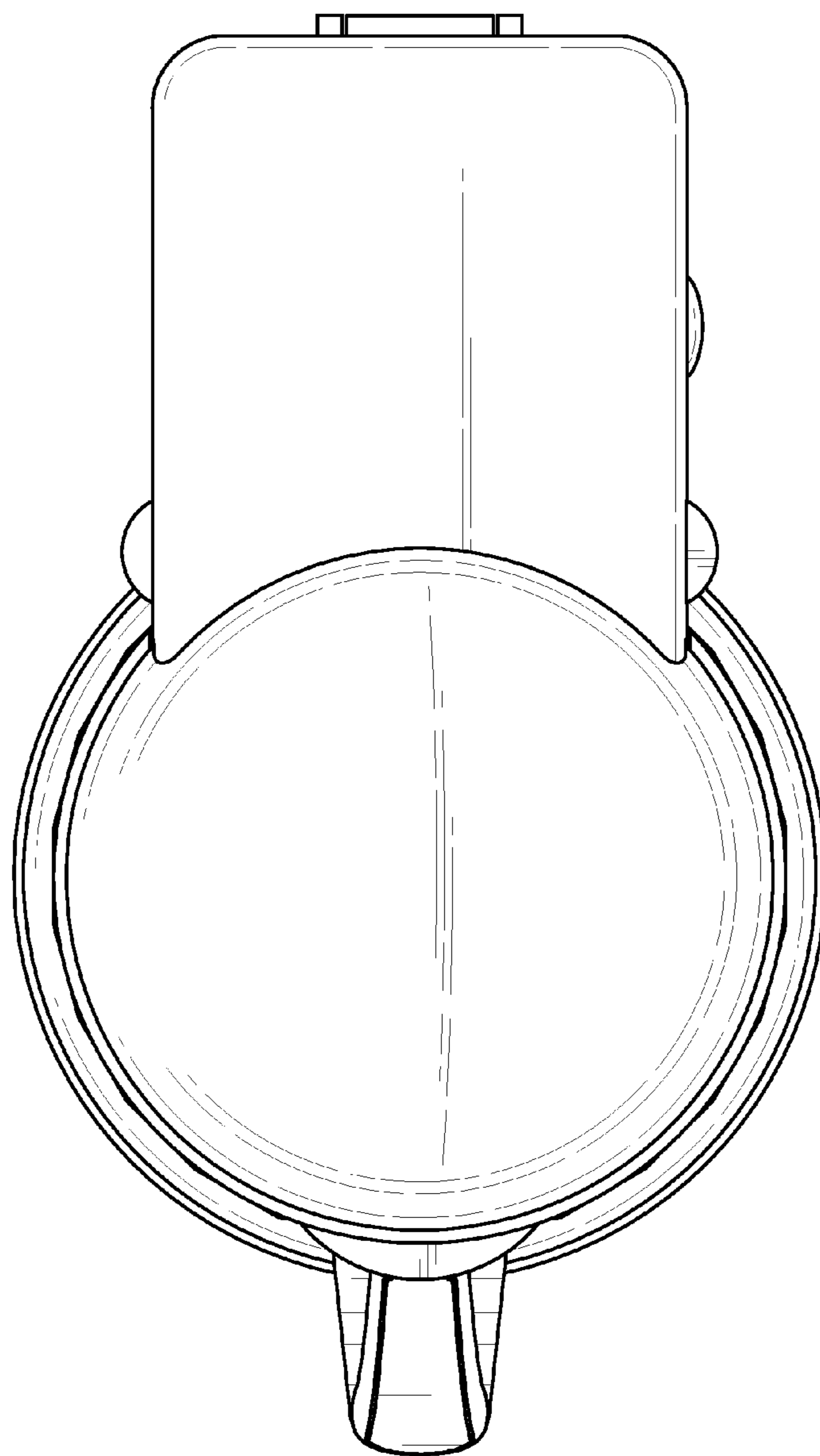


Fig. 7

