



US00D670129S

(12) **United States Design Patent**
Price

(10) **Patent No.:** **US D670,129 S**
(45) **Date of Patent:** **** Nov. 6, 2012**

- (54) **BORDER FOR MATTRESSES**
 - (75) Inventor: **Elvin C. Price**, Dacula, GA (US)
 - (73) Assignee: **Atlanta Attachment Company**,
Lawrenceville, GA (US)
 - (**) Term: **14 Years**
 - (21) Appl. No.: **29/419,279**
 - (22) Filed: **Apr. 26, 2012**
 - (51) **LOC (9) Cl.** **06-09**
 - (52) **U.S. Cl.** **D6/605**
 - (58) **Field of Classification Search** D6/595,
D6/596, 601, 604, 605; 5/690, 703, 704,
5/716, 717, 739, 740, 657.5, 675, 680, 688,
5/700, 706, 737, 499
- See application file for complete search history.

(56) **References Cited**

U.S. PATENT DOCUMENTS

1,355,729	A *	10/1920	Bennett	5/739
1,413,577	A *	4/1922	Eldredge	5/739
1,762,106	A *	6/1930	Pittoni	5/739
1,892,203	A *	12/1932	Burton et al.	5/717
2,200,011	A *	5/1940	Riley	5/716
2,229,385	A *	1/1941	Munson et al.	112/475.01
2,611,910	A *	9/1952	Bell	267/91
2,975,437	A *	3/1961	Freeman	5/716
4,554,693	A	11/1985	Calloway	
6,640,362	B1	11/2003	Kimball	
D551,011	S	9/2007	Van Patten	

(Continued)

Primary Examiner — Janice Seeger

(74) *Attorney, Agent, or Firm* — Womble Carlyle Sand-
ridge & Rice LLP

(57) **CLAIM**

The ornamental design for a border for mattresses, as shown and described.

DESCRIPTION

FIG. 1 is a front perspective view of a border for mattresses showing my new design in accordance with a first embodiment.

FIG. 2 is a left elevation view of the border for mattresses of FIG. 1.

FIG. 3 is a right elevation view of the border for mattresses of FIG. 1.

FIG. 4 is a rear elevation view of the border for mattresses of FIG. 1.

FIG. 5 is a front elevation view of the border for mattresses of FIG. 1.

FIG. 6 is a top plan view of the border for mattresses of FIG. 1, which is identical to the opposite, bottom plan view of the border for mattresses of FIG. 1.

FIG. 7 is an enlarged view of a corner of the border for mattresses and is illustrative of a portion of each of FIGS. 1-5 showing the design shown in closer detail.

FIG. 8 is a perspective view of the border for mattresses showing my new design in accordance with a second embodiment.

FIG. 9 is a left elevation view of a border for mattresses of FIG. 8.

FIG. 10 is a right elevation view of the border for mattresses of FIG. 8.

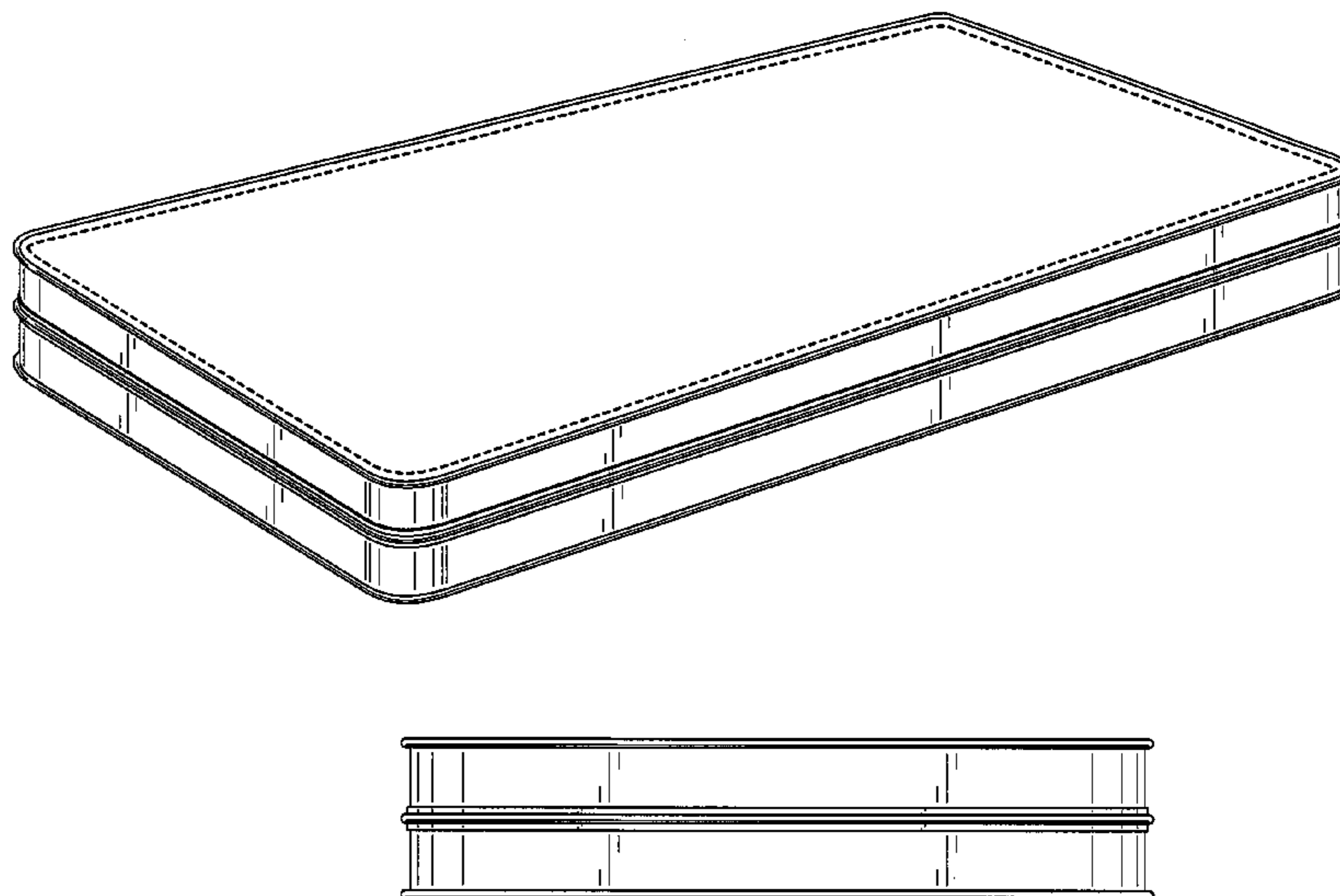
FIG. 11 is a rear elevation view of the border for mattresses of FIG. 8.

FIG. 12 is a front elevation view of the border for mattresses of FIG. 8; and,

FIG. 13 is a top plan view of the border for mattresses of FIG. 8, which is identical to the opposite, bottom plan view of the border for mattresses of FIG. 8.

The broken lines shown in the drawings are for environmental purposes only and form no part of the claimed design. The areas encompassed by the broken lines form no part of the claimed design.

1 Claim, 9 Drawing Sheets



US D670,129 S

Page 2

U.S. PATENT DOCUMENTS

D551,012 S 9/2007 Van Patten
D552,397 S 10/2007 Van Patten
D622,088 S 8/2010 Morrison
D622,531 S 8/2010 Morrison et al.
D633,322 S 3/2011 Morrison

D640,082 S 6/2011 Morrison
D642,413 S 8/2011 Rinehart
D651,443 S 1/2012 Wightman
D659,459 S 5/2012 Jung et al.
D662,751 S 7/2012 Morrison et al.
* cited by examiner

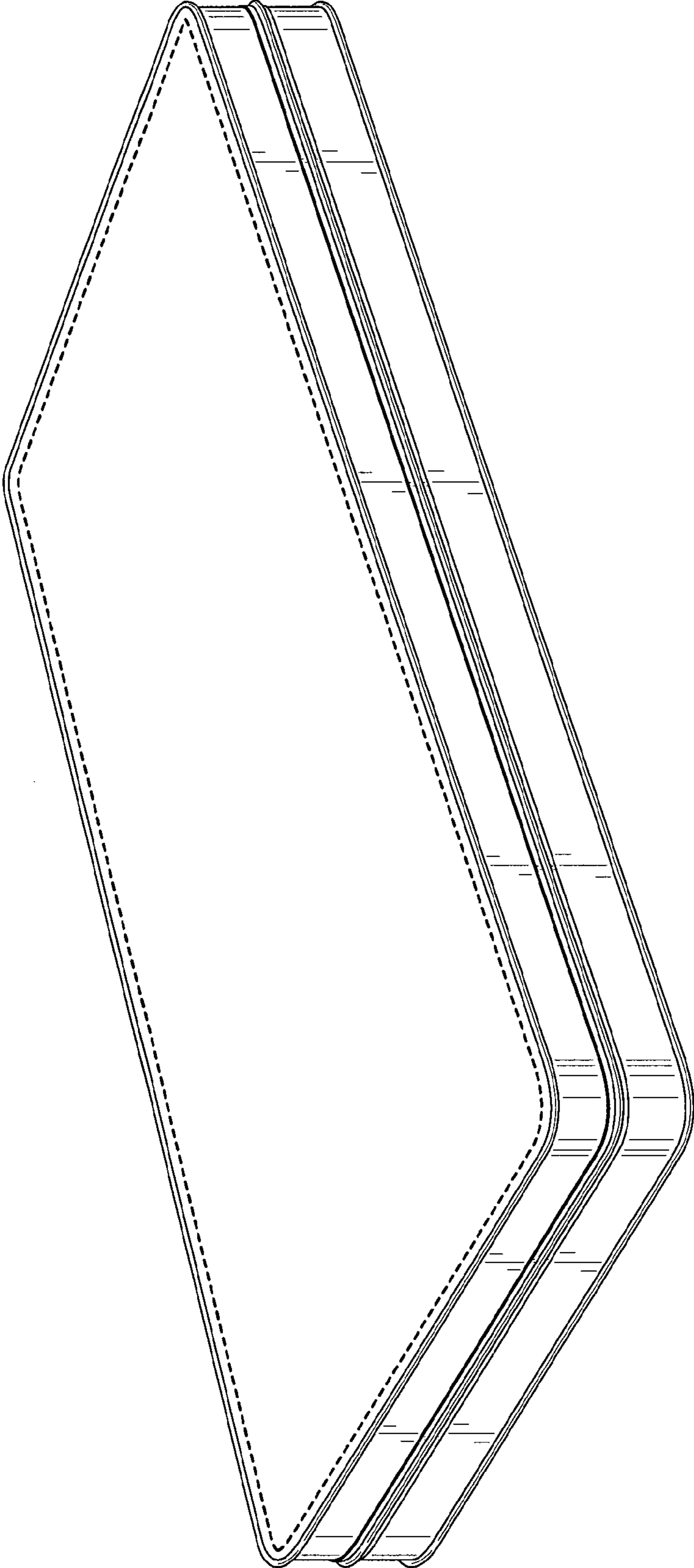


FIG. 1

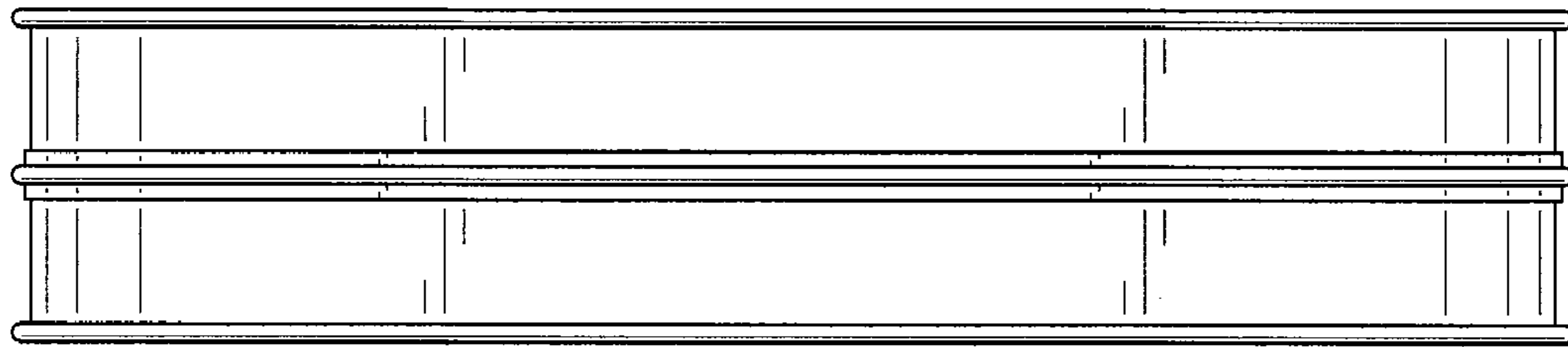


FIG. 2

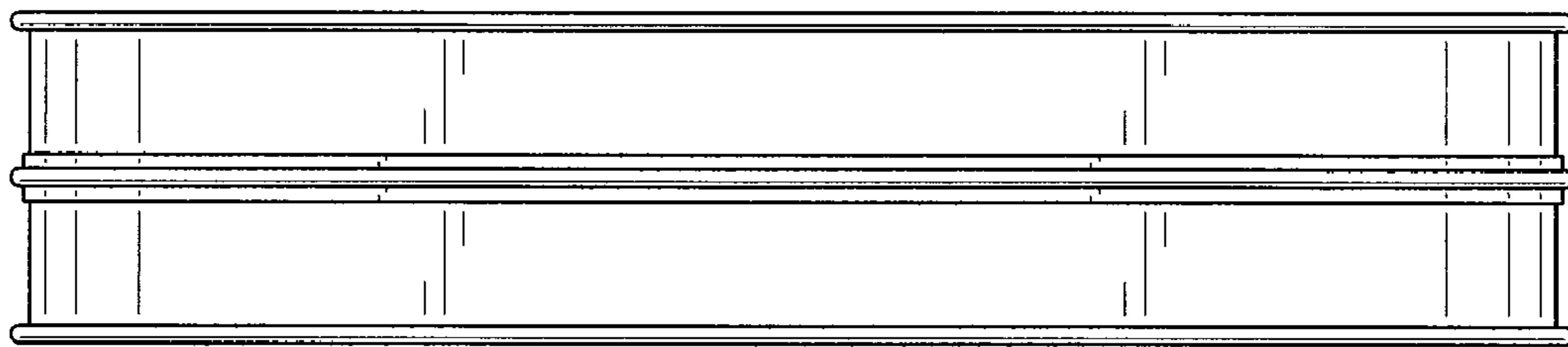


FIG. 3

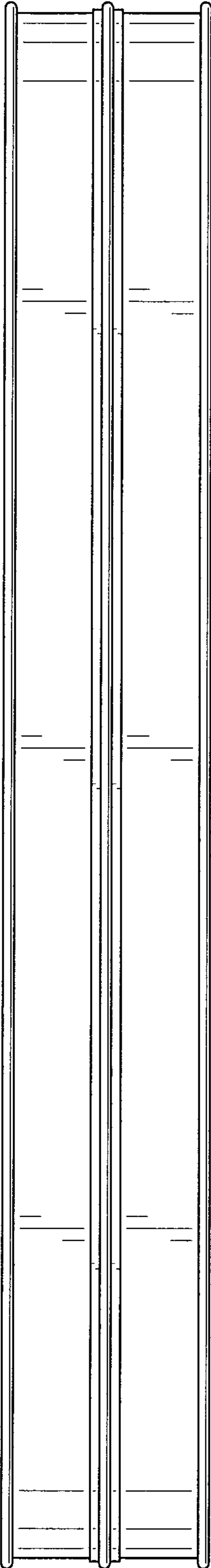


FIG. 4

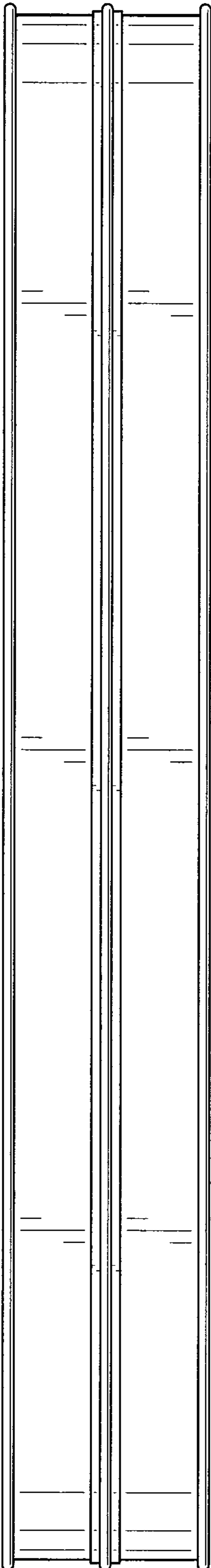


FIG. 5

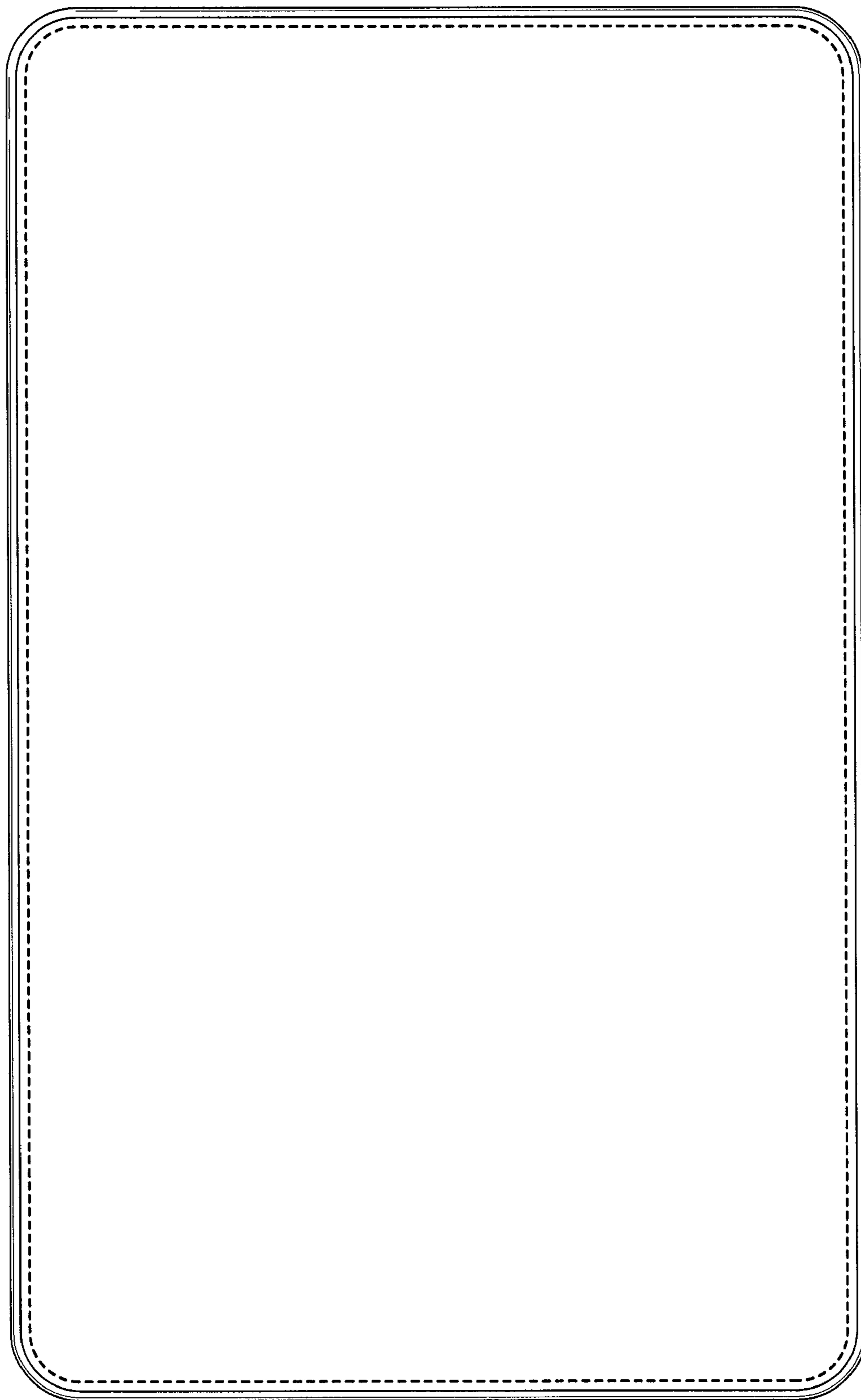


FIG. 6

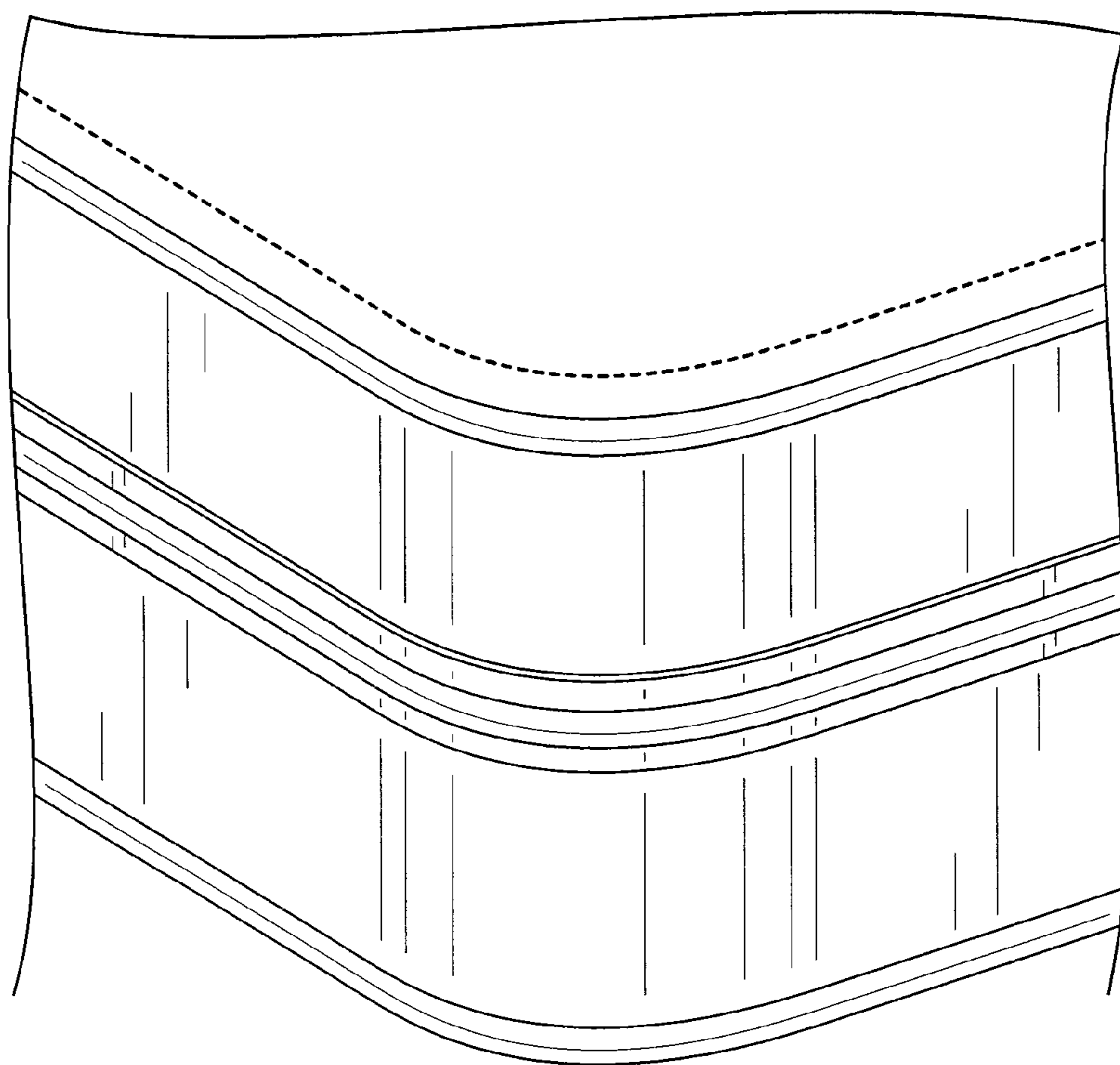


FIG. 7

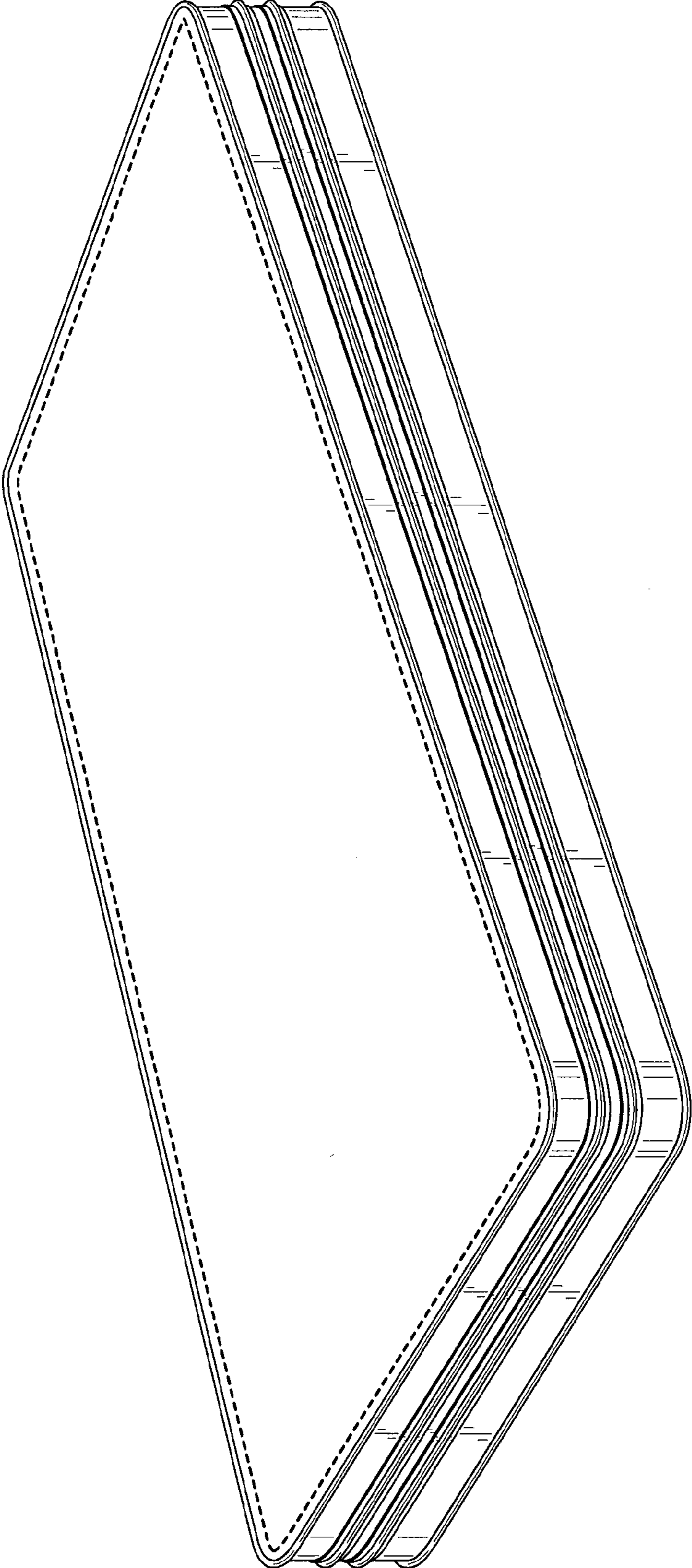


FIG. 8

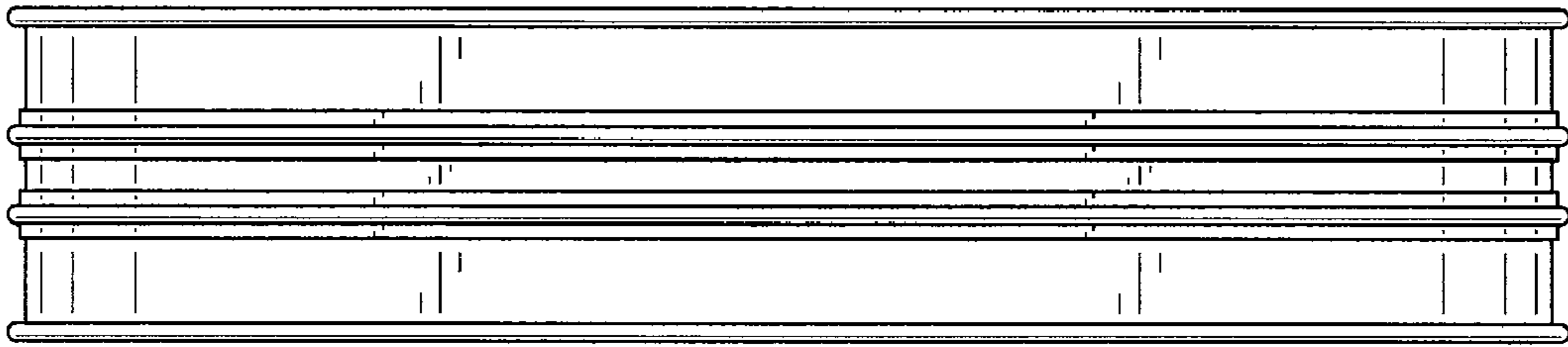


FIG. 9

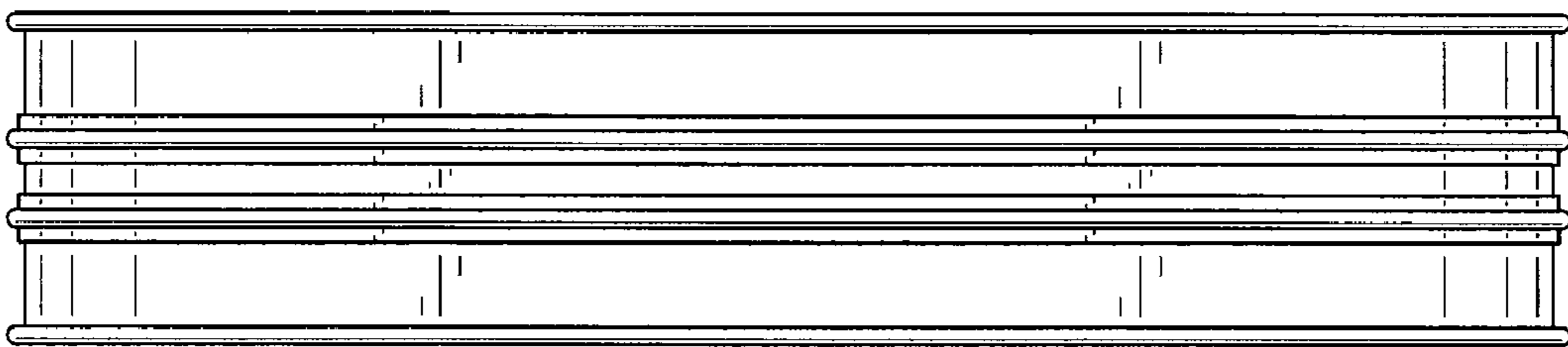


FIG. 10

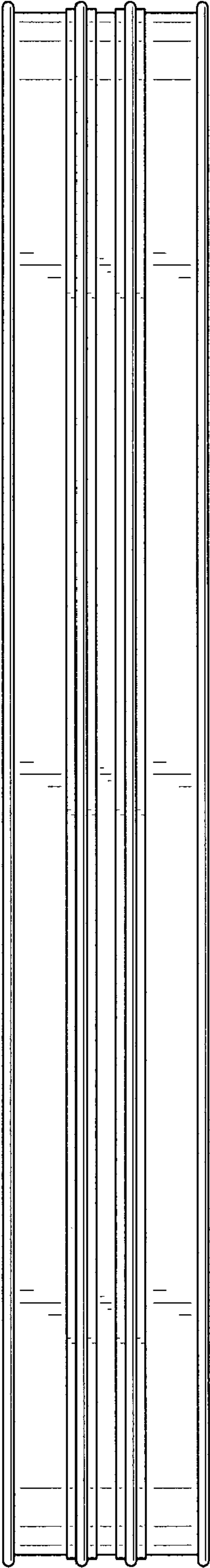


FIG. 11

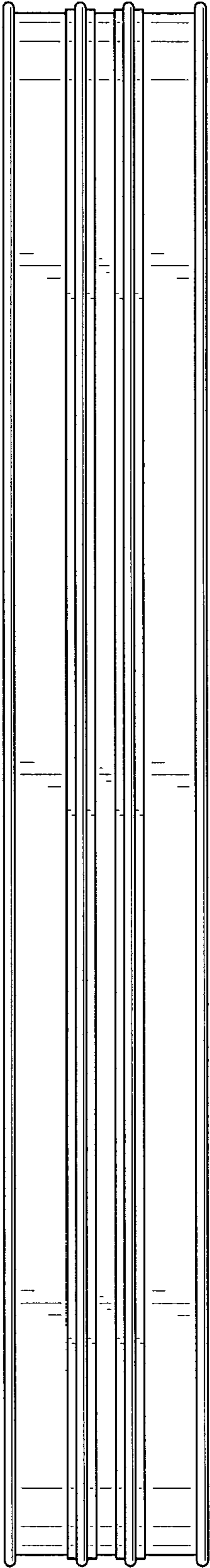


FIG. 12

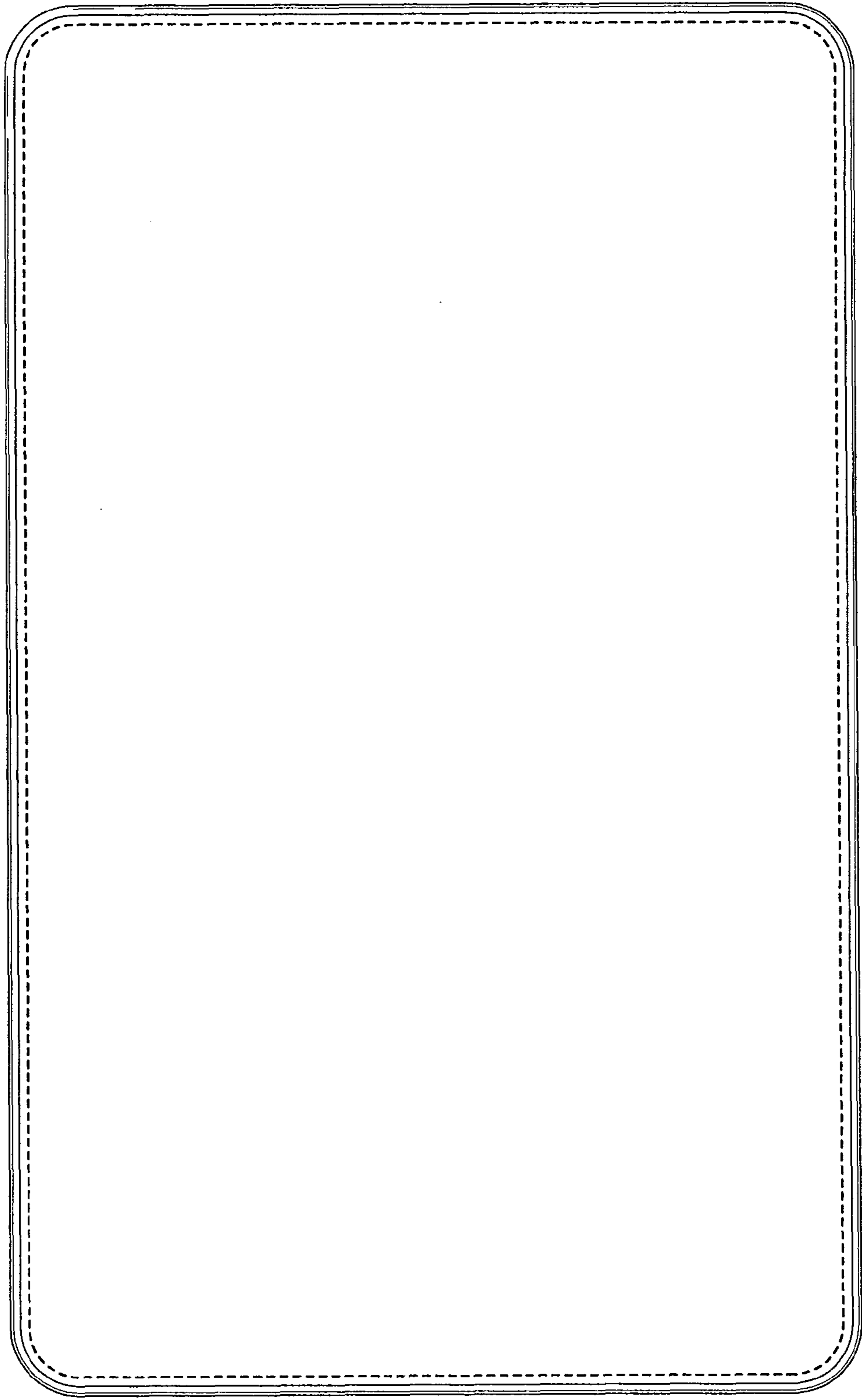


FIG. 13