



US00D670127S

(12) **United States Design Patent**
Price

(10) **Patent No.:** **US D670,127 S**
(45) **Date of Patent:** **** Nov. 6, 2012**

- (54) **BORDERS FOR MATTRESSES**
 - (75) Inventor: **Elvin C. Price**, Dacula, GA (US)
 - (73) Assignee: **Atlanta Attachment Company**,
Lawrenceville, GA (US)
 - (**) Term: **14 Years**
 - (21) Appl. No.: **29/419,265**
 - (22) Filed: **Apr. 26, 2012**
 - (51) **LOC (9) Cl.** **06-09**
 - (52) **U.S. Cl.** **D6/605**
 - (58) **Field of Classification Search** D6/595,
D6/596, 601, 604, 605; 5/690, 703, 704,
5/716, 717, 739, 740, 657.5, 675, 680, 688,
5/700, 706, 737, 499
- See application file for complete search history.

(56) **References Cited**

U.S. PATENT DOCUMENTS

1,355,729 A * 10/1920 Bennett 5/739
(Continued)

Primary Examiner — Janice Seeger

(74) *Attorney, Agent, or Firm* — Womble Carlyle Sandridge & Rice LLP

(57) **CLAIM**

The ornamental design for a border for mattresses, as shown and described.

DESCRIPTION

FIG. 1 is a front perspective view of a border for mattresses showing my new design in accordance with a first embodiment.

FIG. 2 is a left elevation view of the border for mattresses of FIG. 1.

FIG. 3 is a right elevation view of the border for mattresses of FIG. 1.

FIG. 4 is a rear elevation view of the border for mattresses of FIG. 1.

FIG. 5 is a front elevation view of the border for mattresses of FIG. 1.

FIG. 6 is a top plan view of the border for mattresses of FIG. 1, which is identical to the opposite, bottom plan view of the border for mattresses of FIG. 1.

FIG. 7 is an enlarged view of a corner of the border for mattresses and is illustrative of a portion of each of FIGS. 1-5 showing the design shown in closer detail.

FIG. 8 is a perspective view of a border for mattresses showing my new design in accordance with a second embodiment.

FIG. 9 is a left elevation view of the border for mattresses of FIG. 8.

FIG. 10 is a right elevation view of the border for mattresses of FIG. 8.

FIG. 11 is a rear elevation view of the border for mattresses of FIG. 8.

FIG. 12 is a front elevation view of the border for mattresses of FIG. 8.

FIG. 13 is a top plan view of the border for mattresses of FIG. 8, which is identical to the opposite, bottom plan view of the border for mattresses of FIG. 8.

FIG. 14 is a perspective view of a border for mattresses showing my new design in accordance with a third embodiment.

FIG. 15 is a left elevation view of the border for mattresses of FIG. 14.

FIG. 16 is a right elevation view of the border for mattresses of FIG. 14.

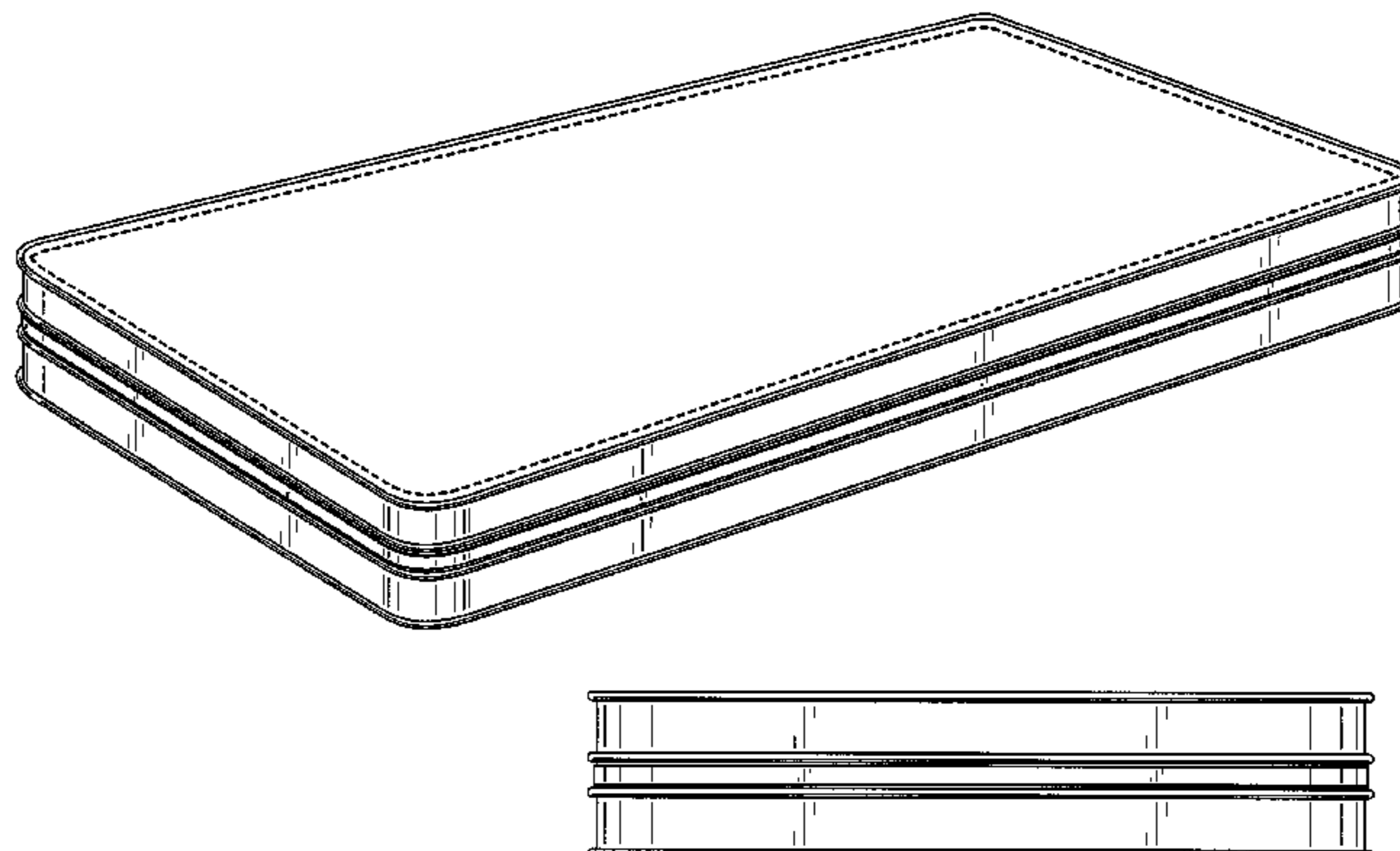
FIG. 17 is a rear elevation view of the border for mattresses of FIG. 14.

FIG. 18 is a front elevation view of the border for mattresses of FIG. 14; and,

FIG. 19 is a top plan view of the border for mattresses of FIG. 14, which is identical to the opposite, bottom plan view of the border for mattresses of FIG. 14.

The broken lines shown in the drawings are for environmental purposes only and form no part of the claimed design. The areas encompassed by the broken lines form no part of the claimed design.

1 Claim, 13 Drawing Sheets



US D670,127 S

Page 2

U.S. PATENT DOCUMENTS

1,413,577	A *	4/1922	Eldredge	5/739	D551,012	S	9/2007	Van Patten
1,762,106	A *	6/1930	Pittoni	5/739	D552,397	S	10/2007	Van Patten
1,892,203	A *	12/1932	Burton et al.	5/717	D622,088	S	8/2010	Morrison
2,200,011	A *	5/1940	Riley	5/716	D622,531	S	8/2010	Morrison et al.
2,229,385	A *	1/1941	Munson et al.	112/475.01	D633,322	S	3/2011	Morrison
2,611,910	A *	9/1952	Bell	267/91	D640,082	S	6/2011	Morrison
2,975,437	A *	3/1961	Freeman	5/716	D642,413	S	8/2011	Rinehart
4,554,693	A	11/1985	Calloway		D651,443	S	1/2012	Wightman
6,640,362	B1	11/2003	Kimball		D659,459	S	5/2012	Jung et al.
D551,011	S	9/2007	Van Patten		D662,751	S	7/2012	Morrison et al.

* cited by examiner

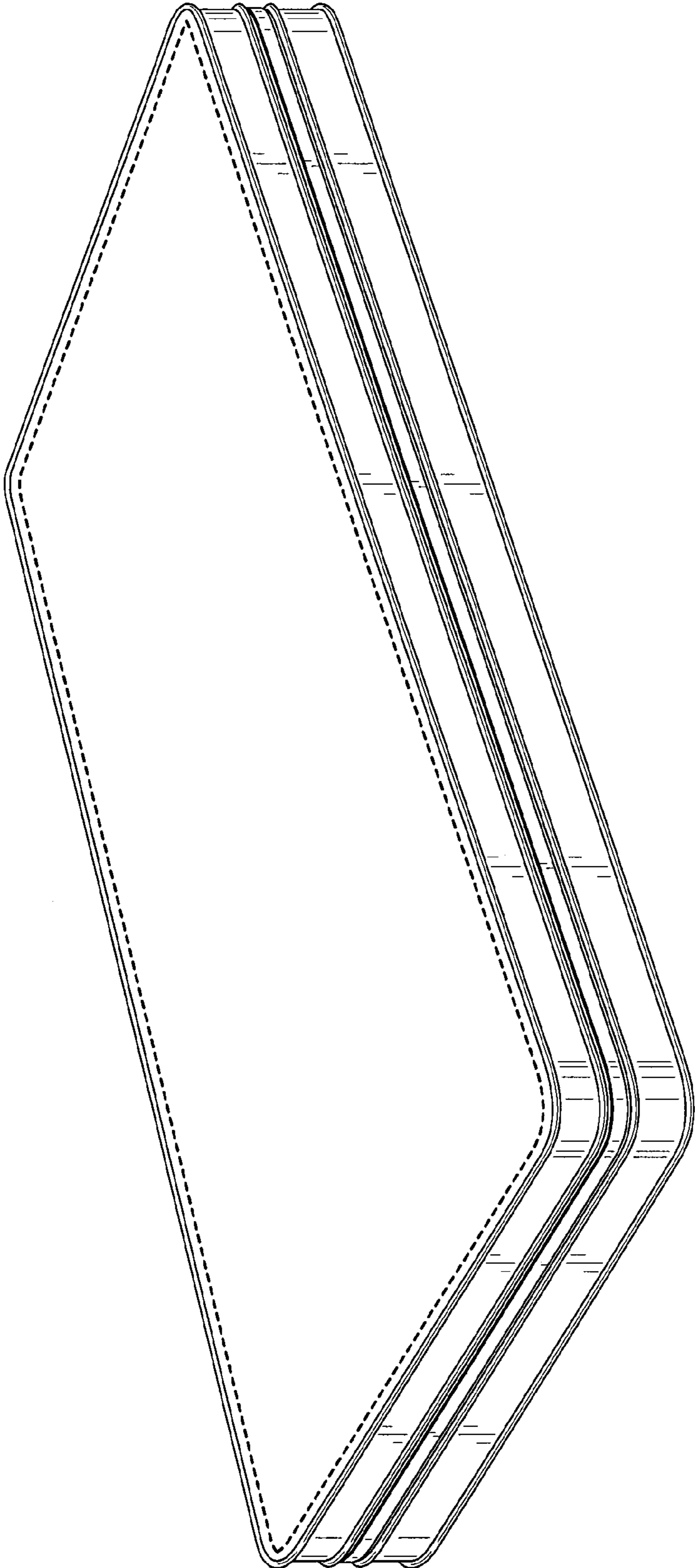


FIG. 1

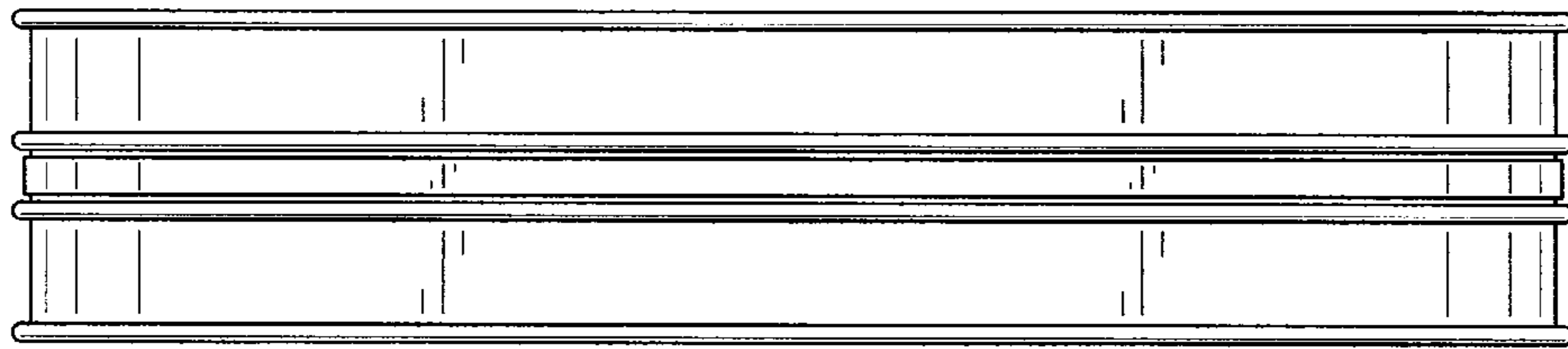


FIG. 2

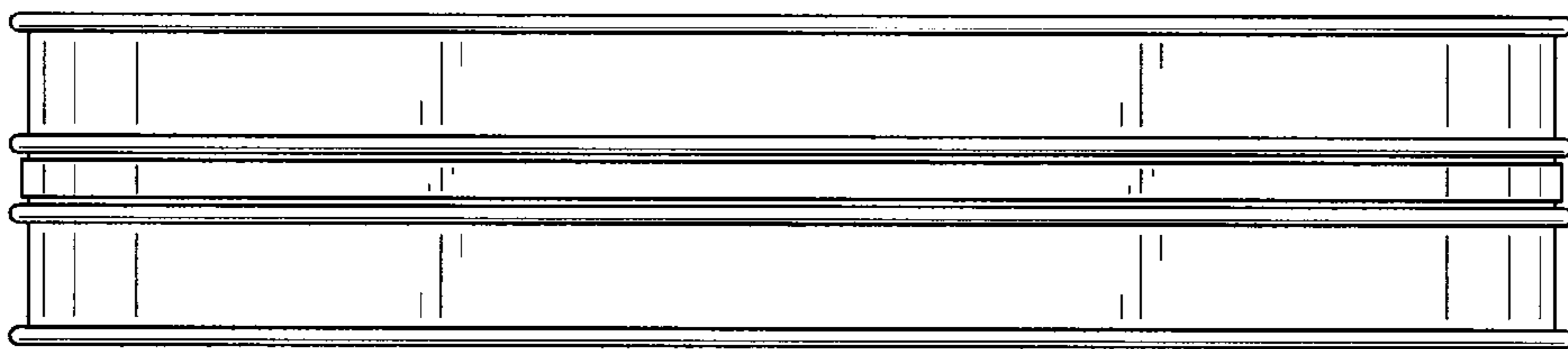


FIG. 3

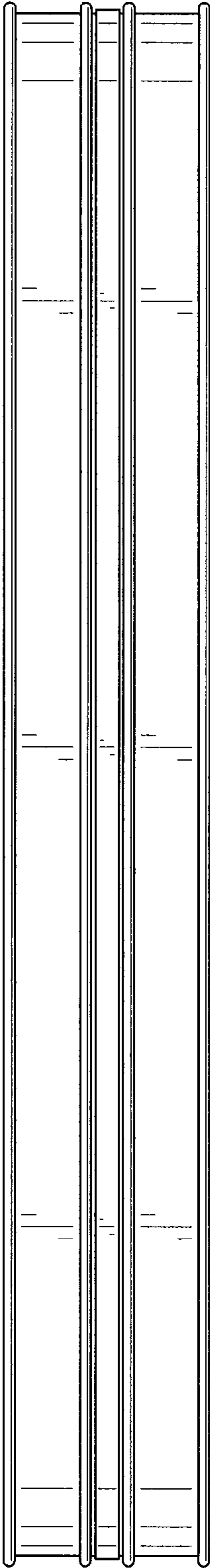


FIG. 4

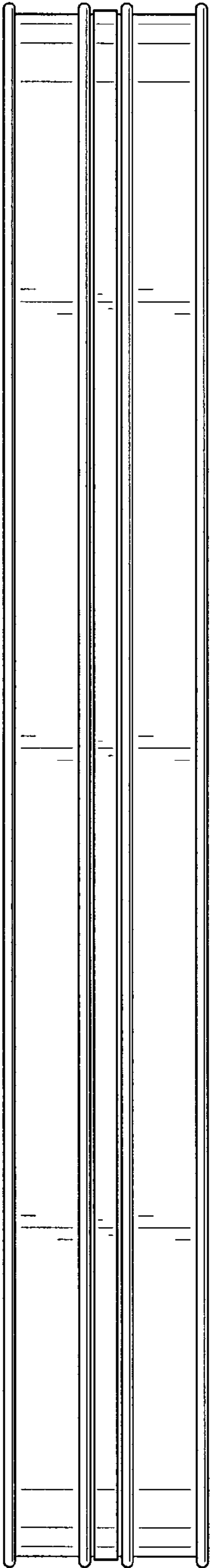


FIG. 5

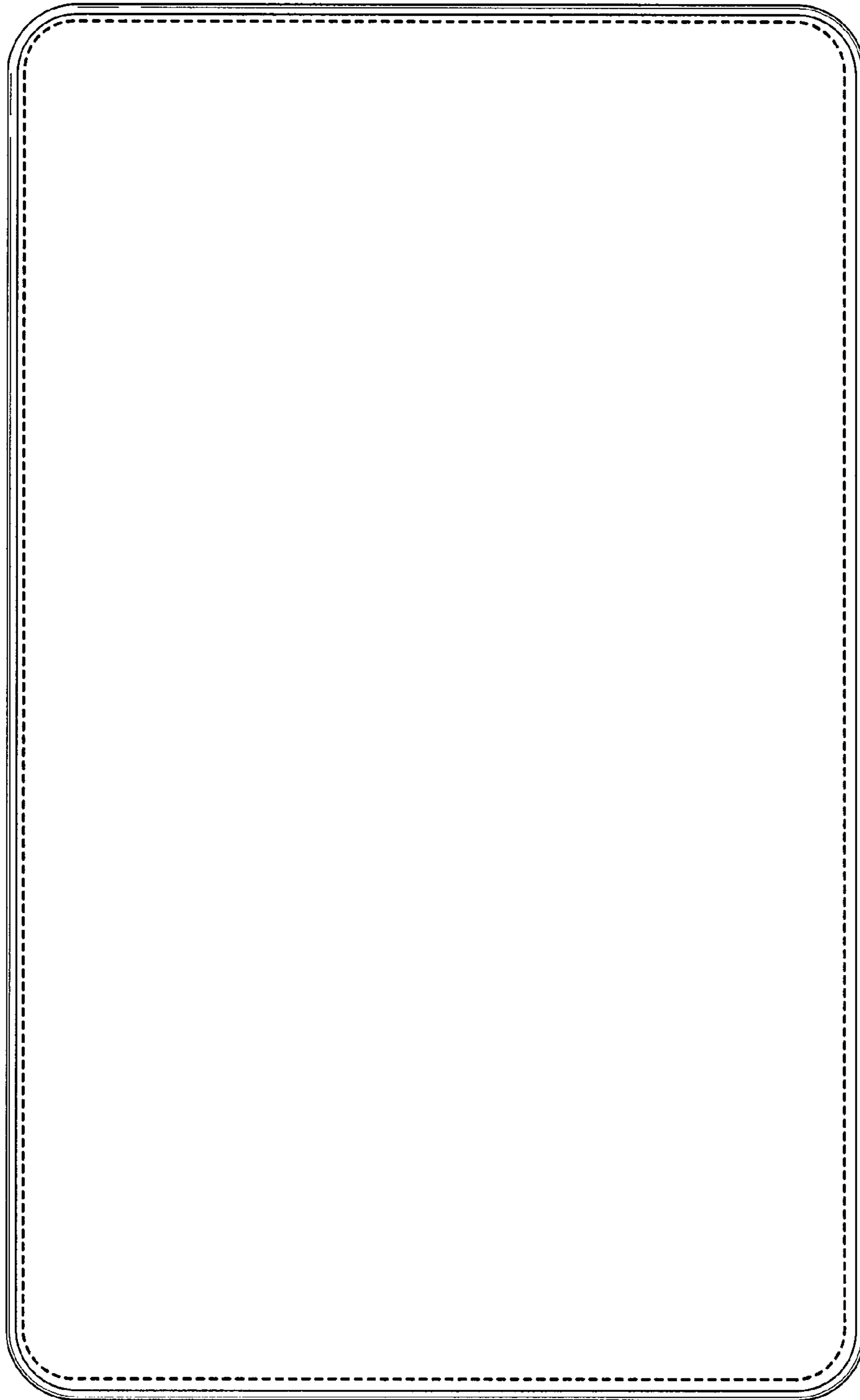


FIG. 6

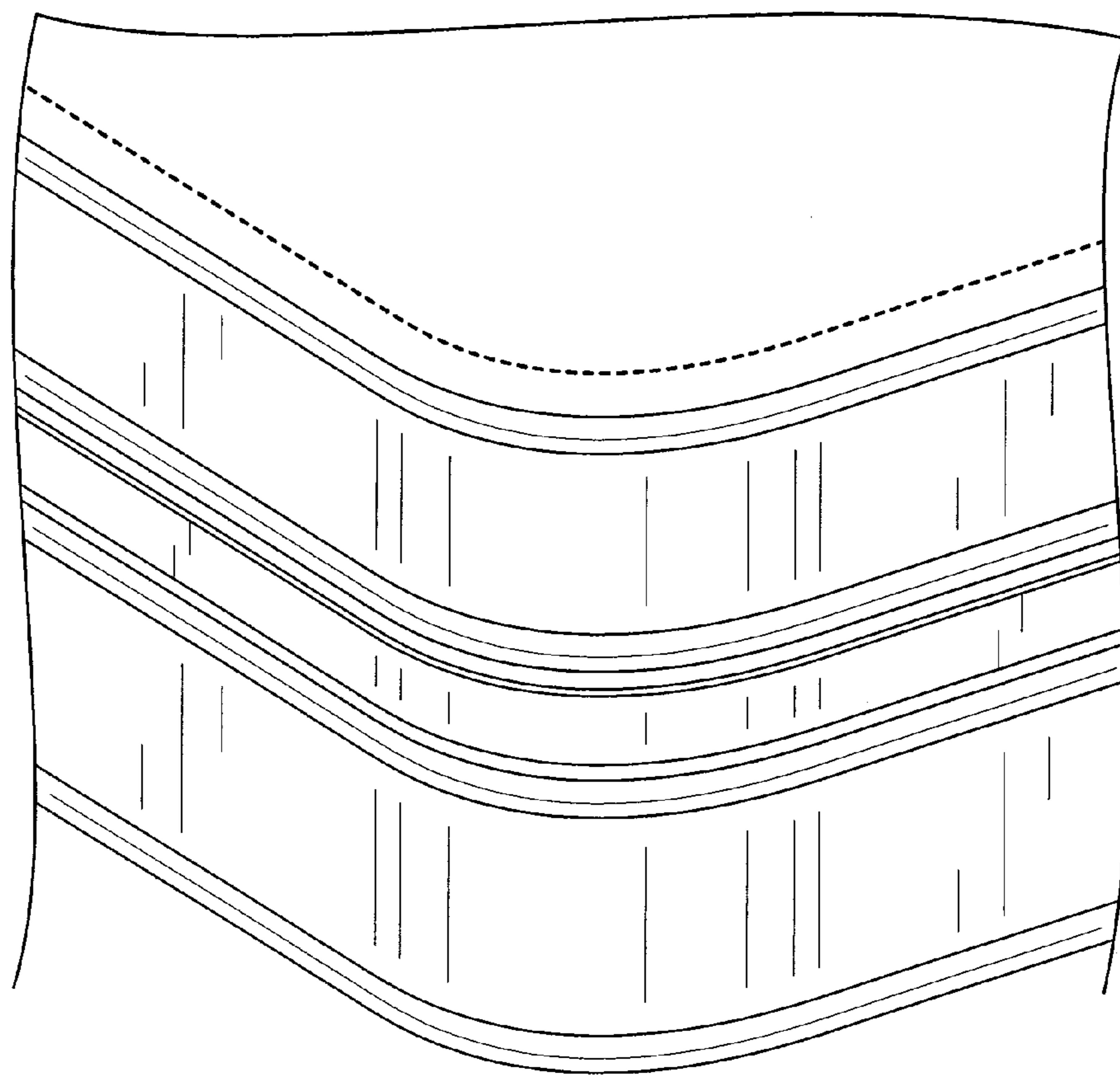


FIG. 7

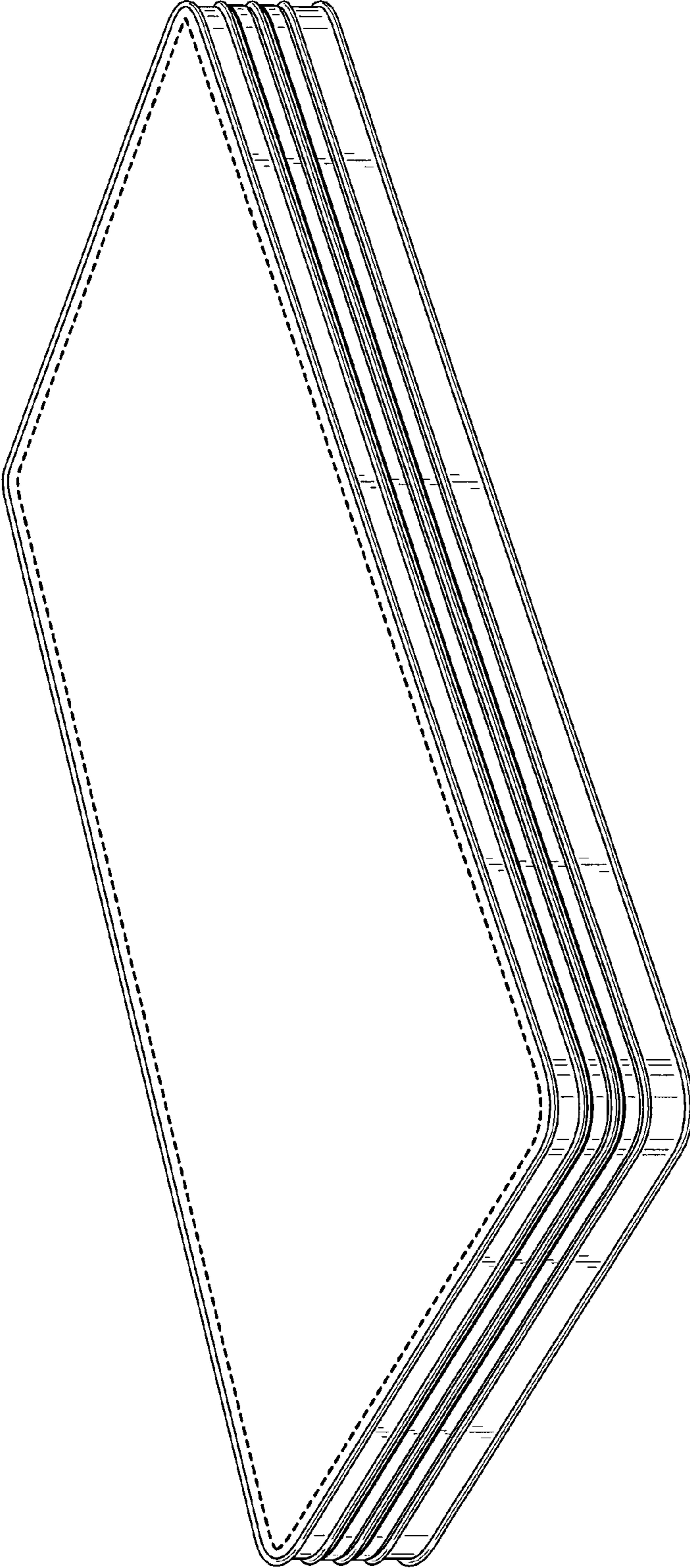


FIG. 8

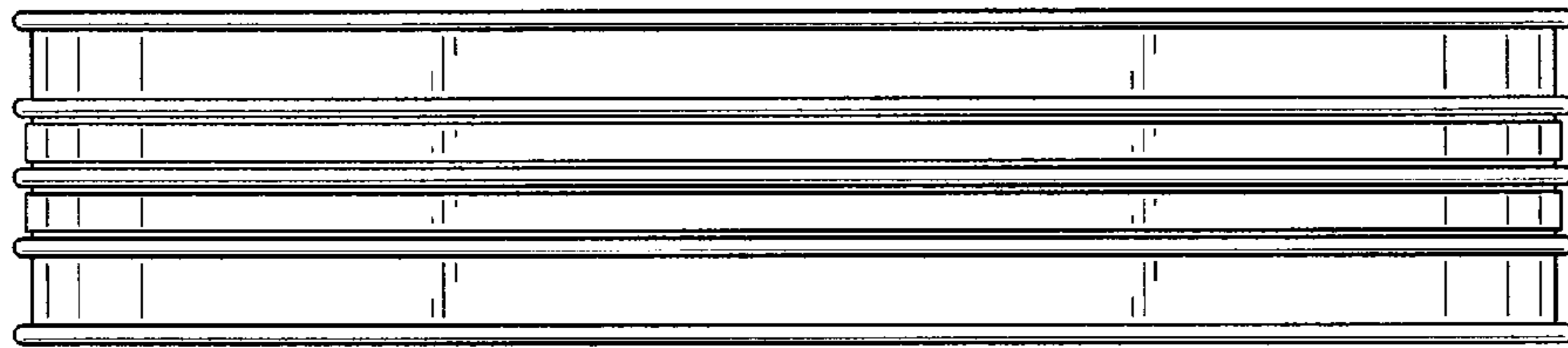


FIG. 9

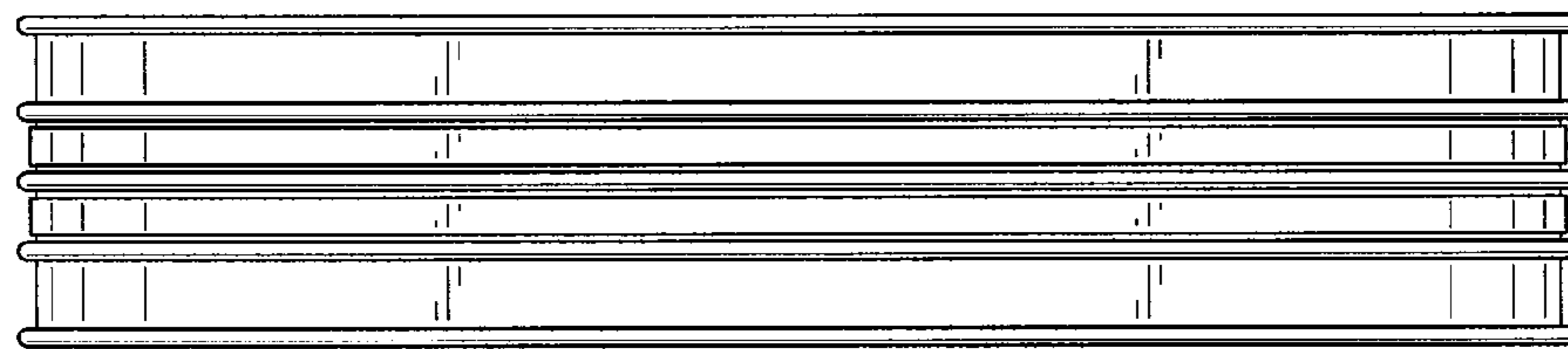


FIG. 10

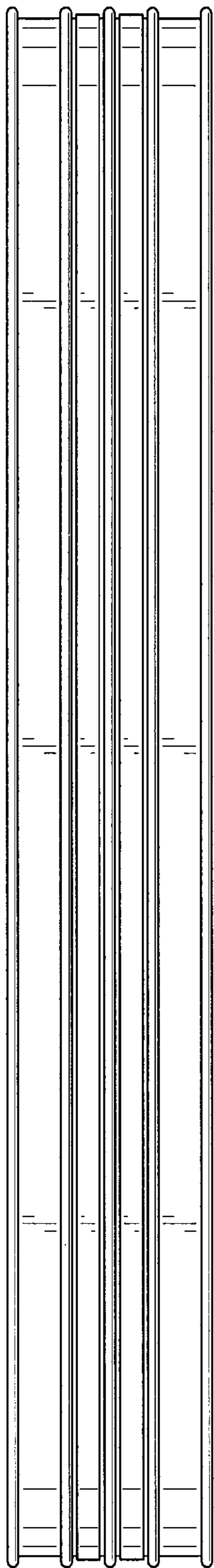


FIG. 11

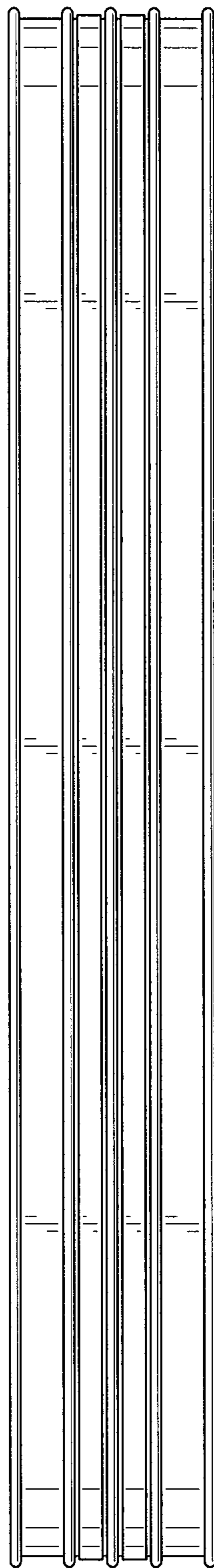


FIG. 12

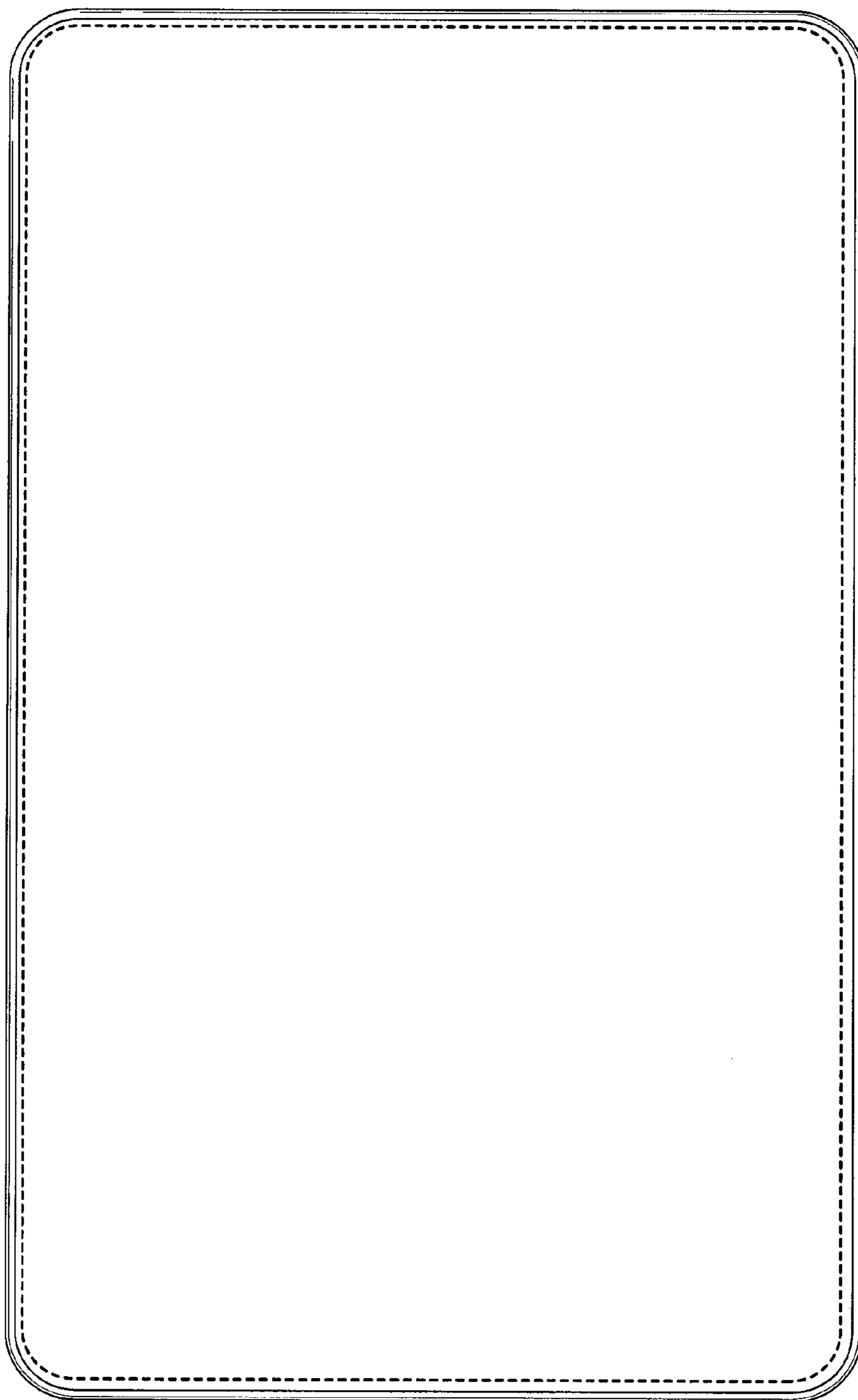


FIG. 13

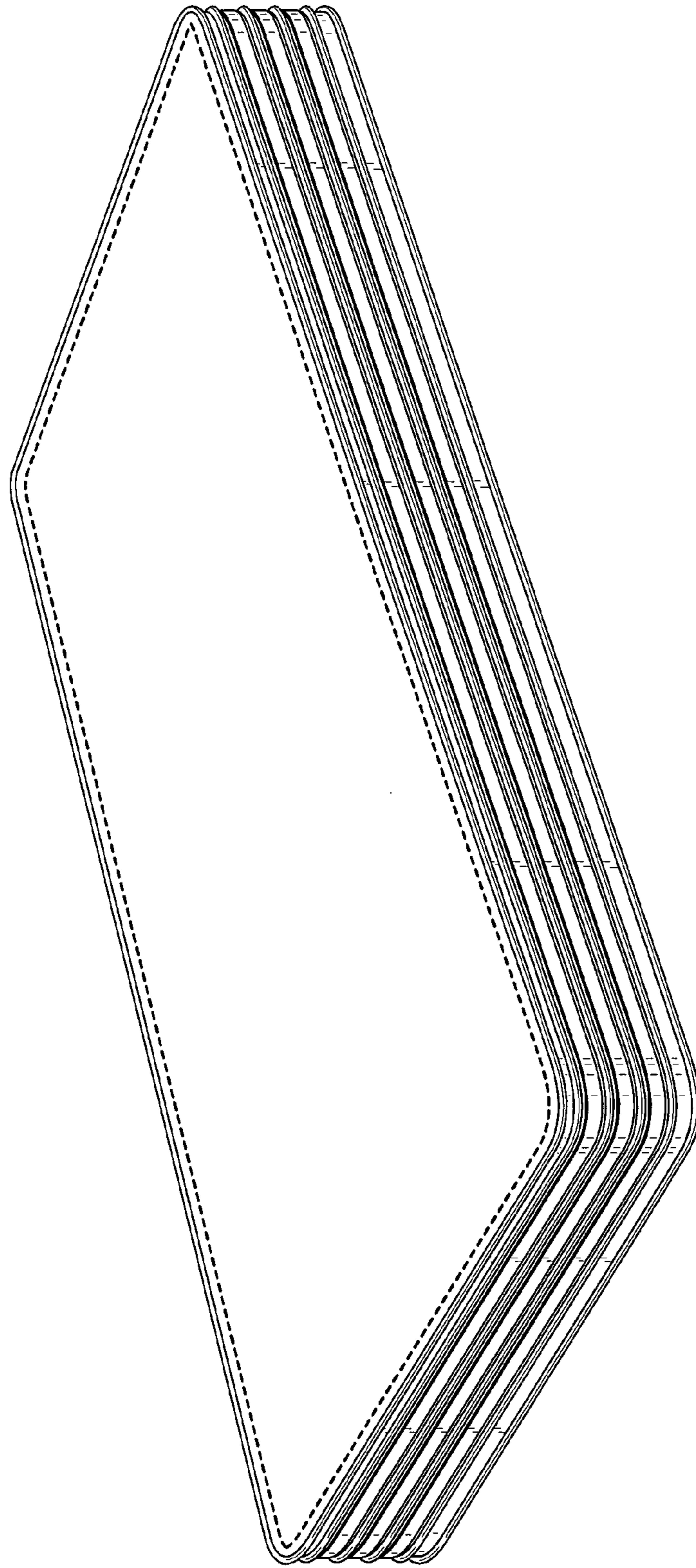


FIG. 14

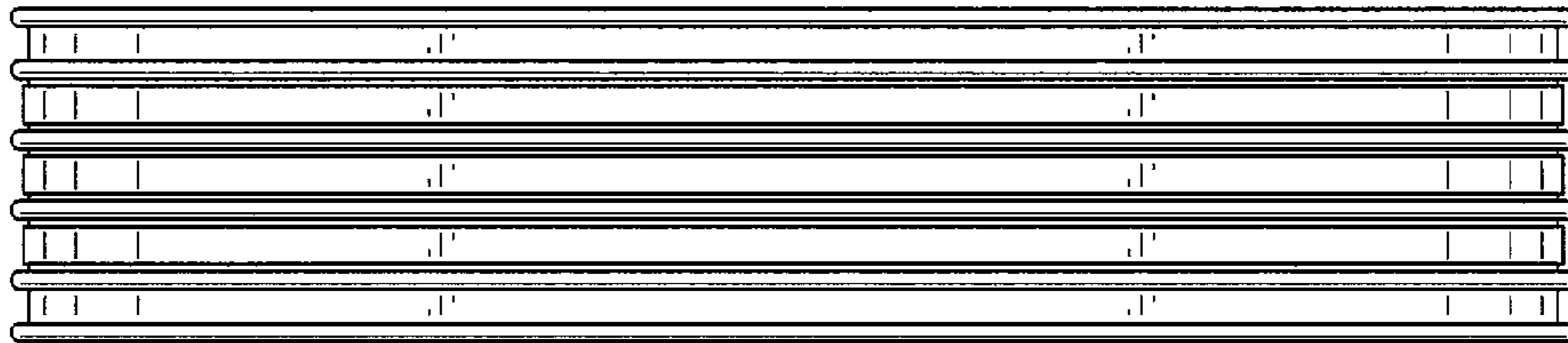


FIG. 15

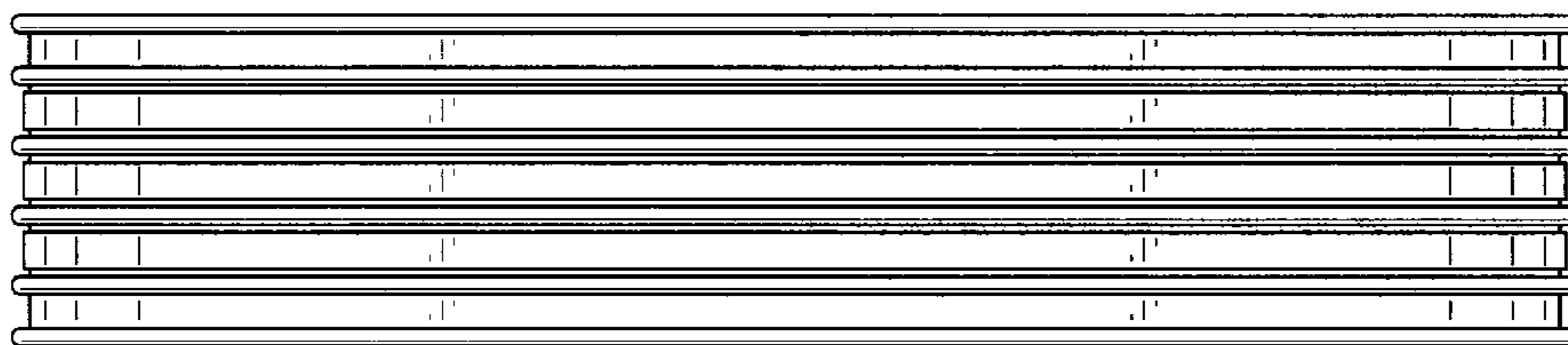


FIG. 16

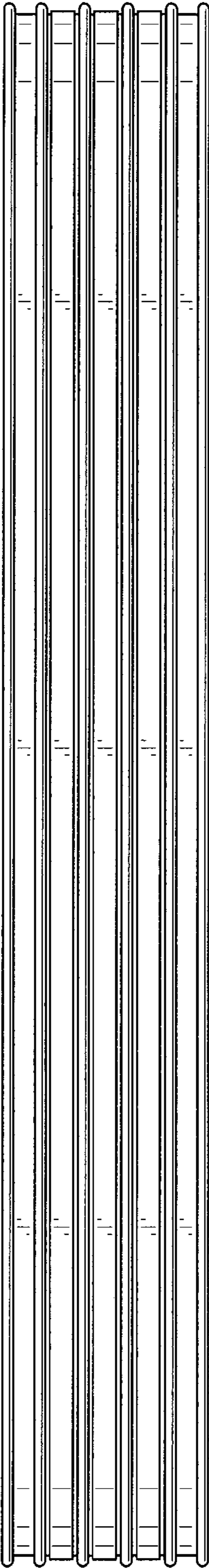


FIG. 17

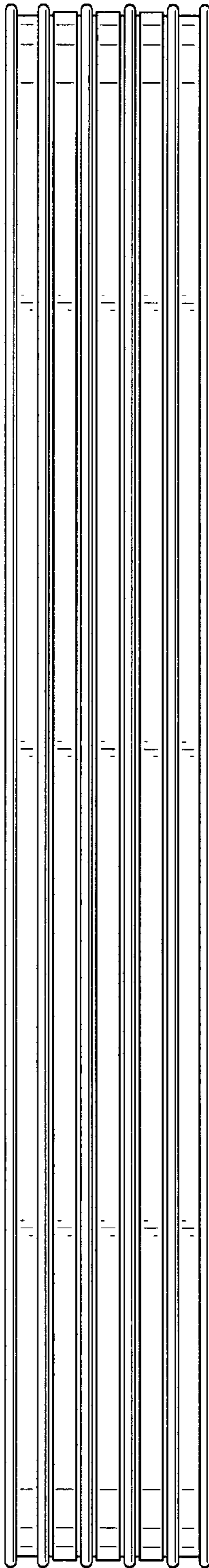


FIG. 18

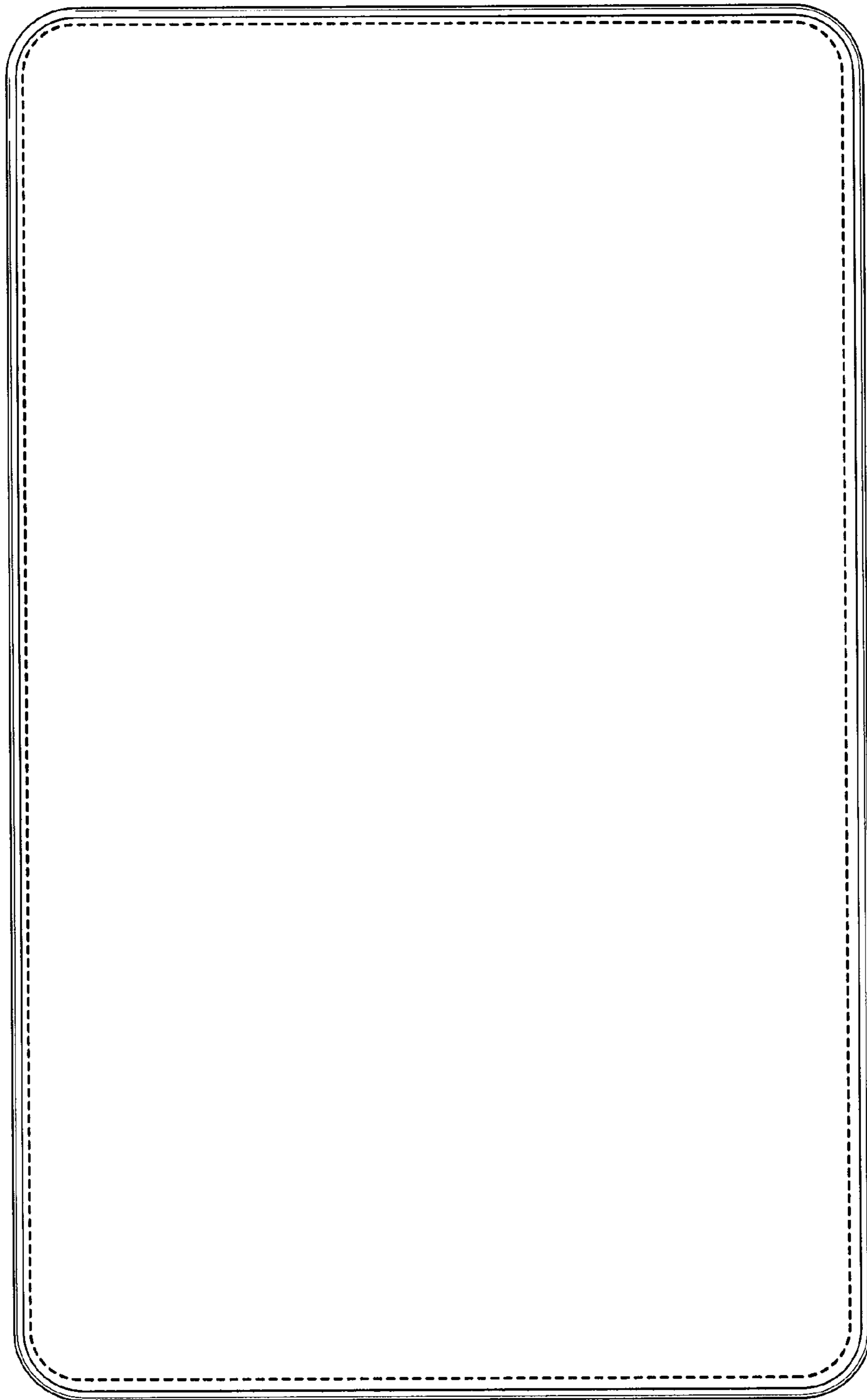


FIG. 19