



US00D670126S

(12) **United States Design Patent**  
**Price**

(10) **Patent No.:** **US D670,126 S**  
(45) **Date of Patent:** **\*\* Nov. 6, 2012**

(54) **MATTRESS WITH VERTICAL HANDLES**

(75) Inventor: **Elvin C. Price**, Dacula, GA (US)

(73) Assignee: **Atlanta Attachment Company**,  
Lawrenceville, GA (US)

(\*\*) Term: **14 Years**

(21) Appl. No.: **29/419,262**

(22) Filed: **Apr. 26, 2012**

(51) **LOC (9) Cl.** ..... **06-09**

(52) **U.S. Cl.** ..... **D6/605**

(58) **Field of Classification Search** ..... D6/595,  
D6/596, 601, 604, 605; 5/690, 703, 704,  
5/716, 717, 739, 740, 657.5, 675, 680, 688,  
5/700, 706, 737, 499

See application file for complete search history.

(56) **References Cited**

**U.S. PATENT DOCUMENTS**

1,144,888	A *	6/1915	Bradshaw	.....	5/703
1,413,577	A *	4/1922	Eldredge	.....	5/739
1,709,995	A *	4/1929	Mulkey	.....	5/703
1,731,530	A *	10/1929	Goldeen et al.	.....	5/703
1,762,106	A *	6/1930	Pittoni	.....	5/739
D102,646	S *	1/1937	Bowerbox et al.	.....	D6/605
2,200,011	A *	5/1940	Riley	.....	5/716
2,425,728	A *	8/1947	Cobb	.....	5/716
4,554,693	A	11/1985	Calloway		
6,640,362	B1	11/2003	Kimball		
D551,011	S	9/2007	Van Patten		
D551,012	S	9/2007	Van Patten		
D552,397	S	10/2007	Van Patten		
D622,088	S	8/2010	Morrison		
D622,531	S *	8/2010	Morrison et al.	.....	D6/605
D633,322	S	3/2011	Morrison		

D640,082	S	6/2011	Morrison
D642,413	S	8/2011	Rinehart
D659,459	S	5/2012	Jung et al.
D662,751	S	7/2012	Morrison et al.

\* cited by examiner

*Primary Examiner* — Janice Seeger

(74) *Attorney, Agent, or Firm* — Womble Carlyles Sandridge & Rice LLP

(57) **CLAIM**

The ornamental design for a mattress with vertical handles, as shown and described.

**DESCRIPTION**

FIG. 1 is a perspective view of a mattress with vertical handles showing my new design.

FIG. 2 is a right side end view of the mattress with vertical handles of FIG. 1.

FIG. 3 is a left side end view of the mattress with vertical handles of FIG. 1.

FIG. 4 is a front view of the mattress with vertical handles of FIG. 1.

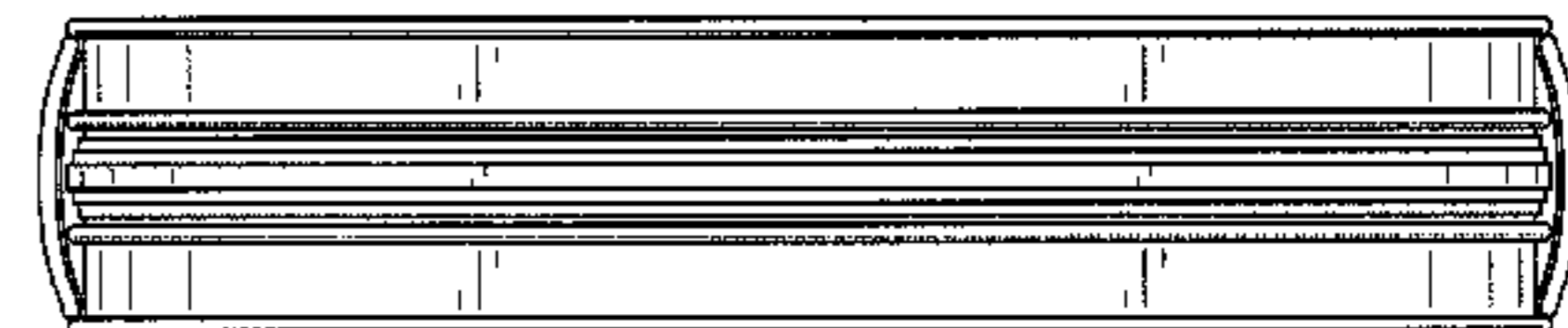
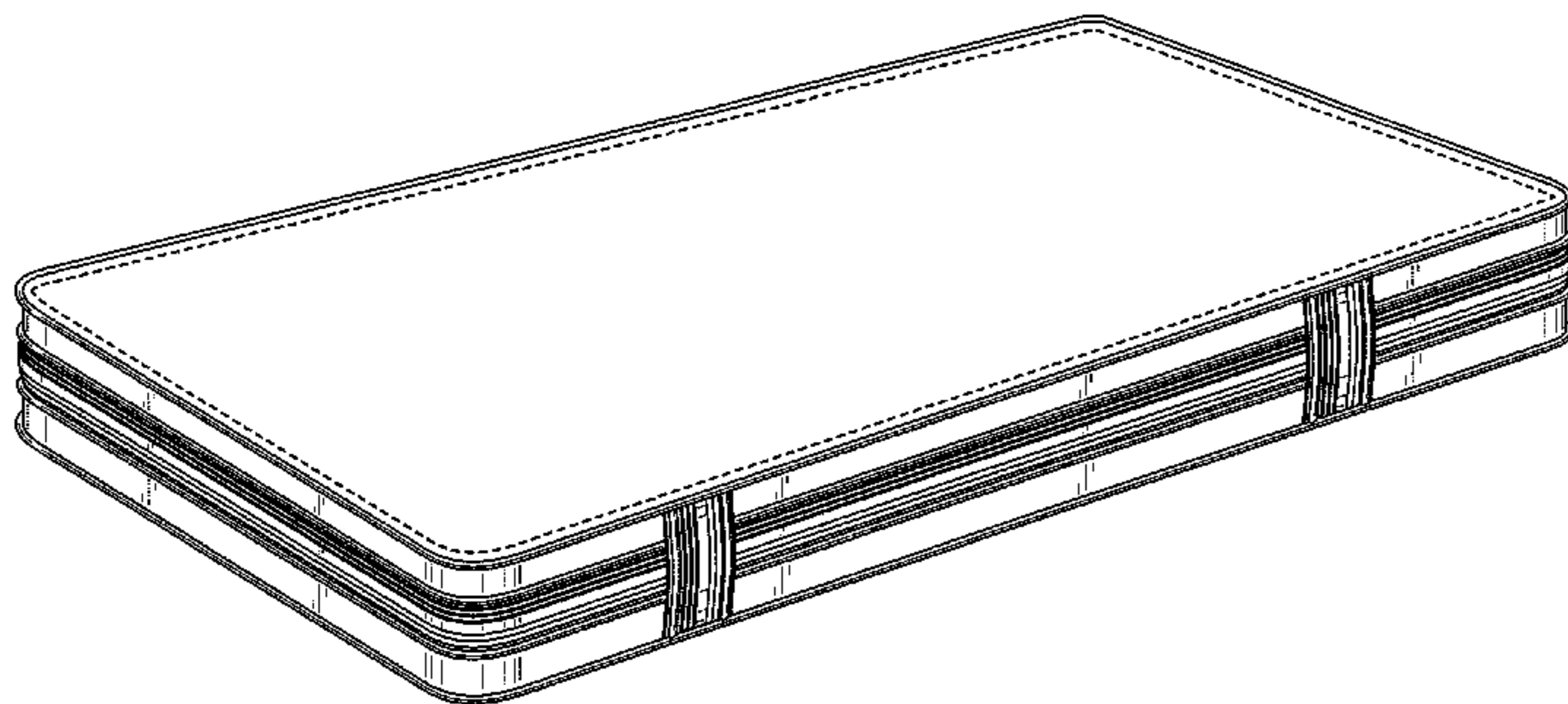
FIG. 5 is a rear view of the mattress with vertical handles of FIG. 1.

FIG. 6 is a top plan view of the mattress with vertical handles of FIG. 1, which is identical to the opposite, bottom view of the mattress with vertical handles; and,

FIG. 7 is an enlarged view of a corner of the mattress with vertical handles of FIG. 1, with the design shown in closer detail.

The broken lines shown in the drawings are for environmental purposes only and form no part of the claimed design. The areas encompassed by the broken lines form no part of the claimed design.

**1 Claim, 5 Drawing Sheets**



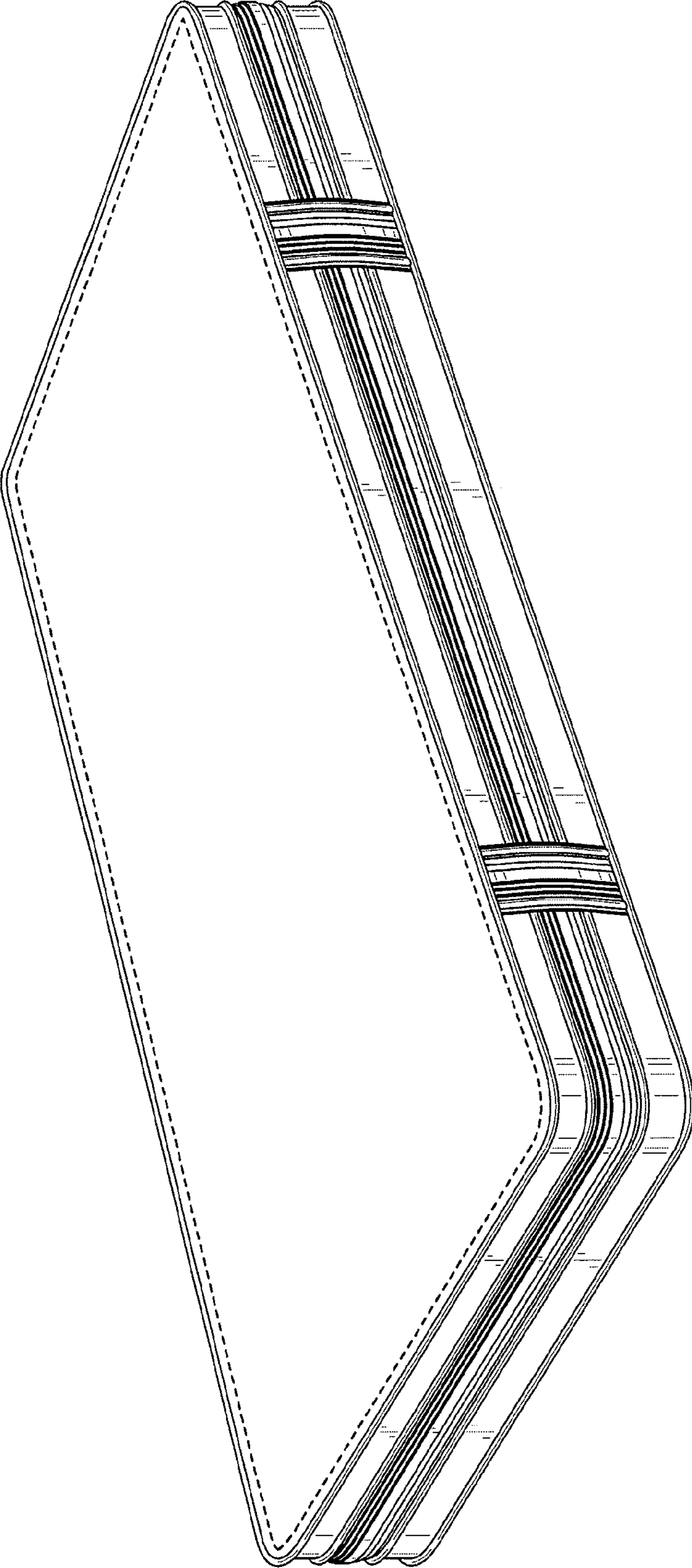


FIG. 1

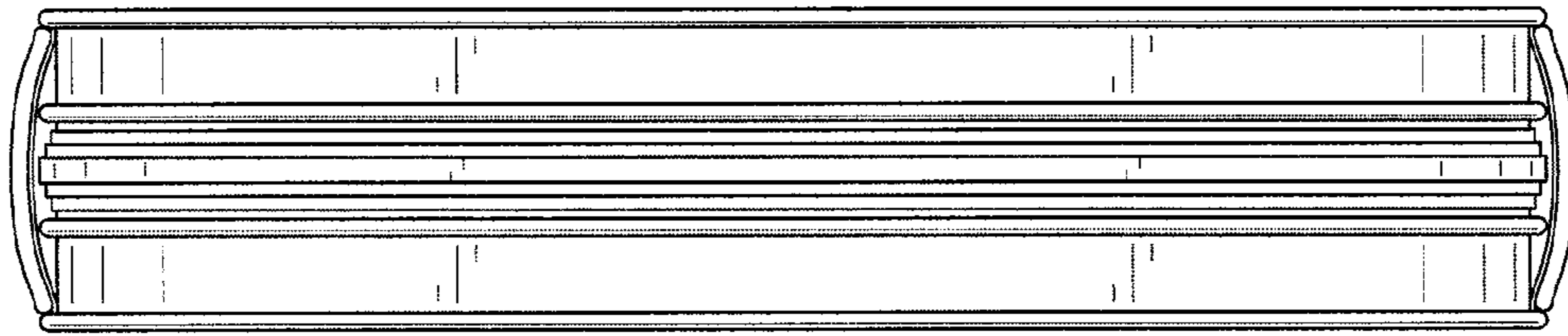


FIG. 2

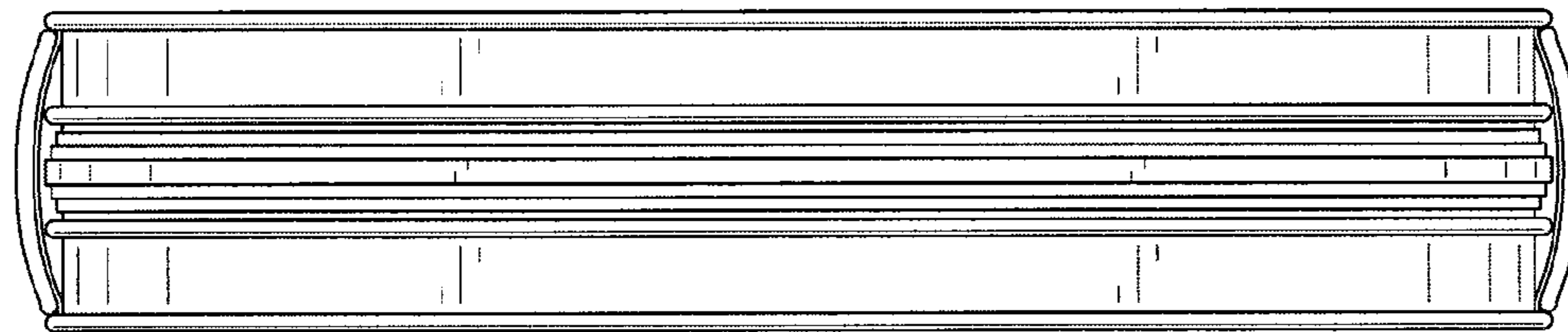


FIG. 3

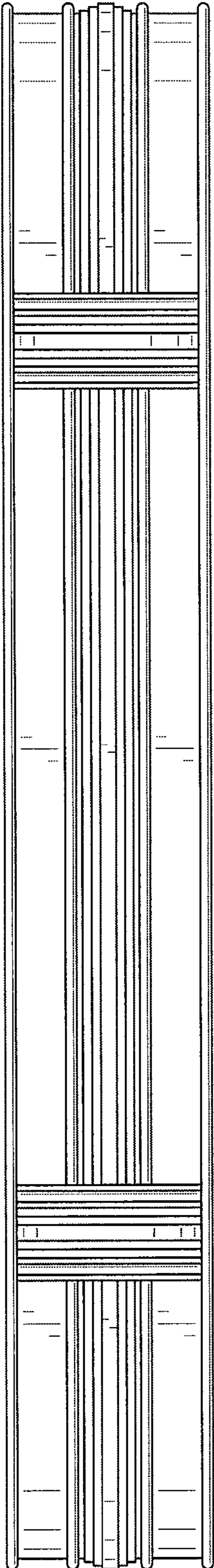


FIG. 4

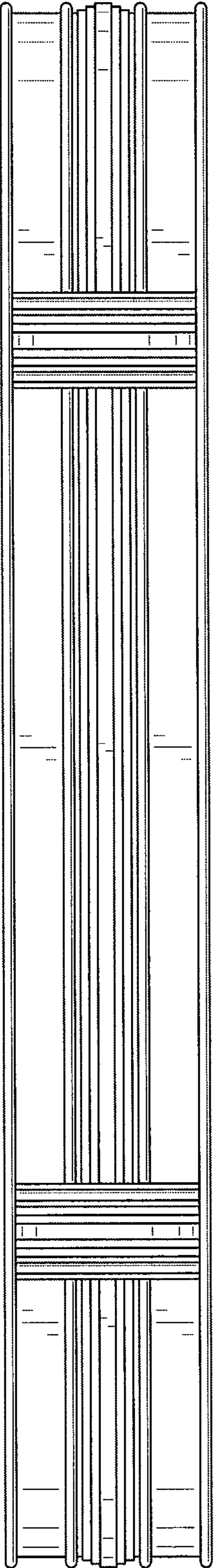


FIG. 5

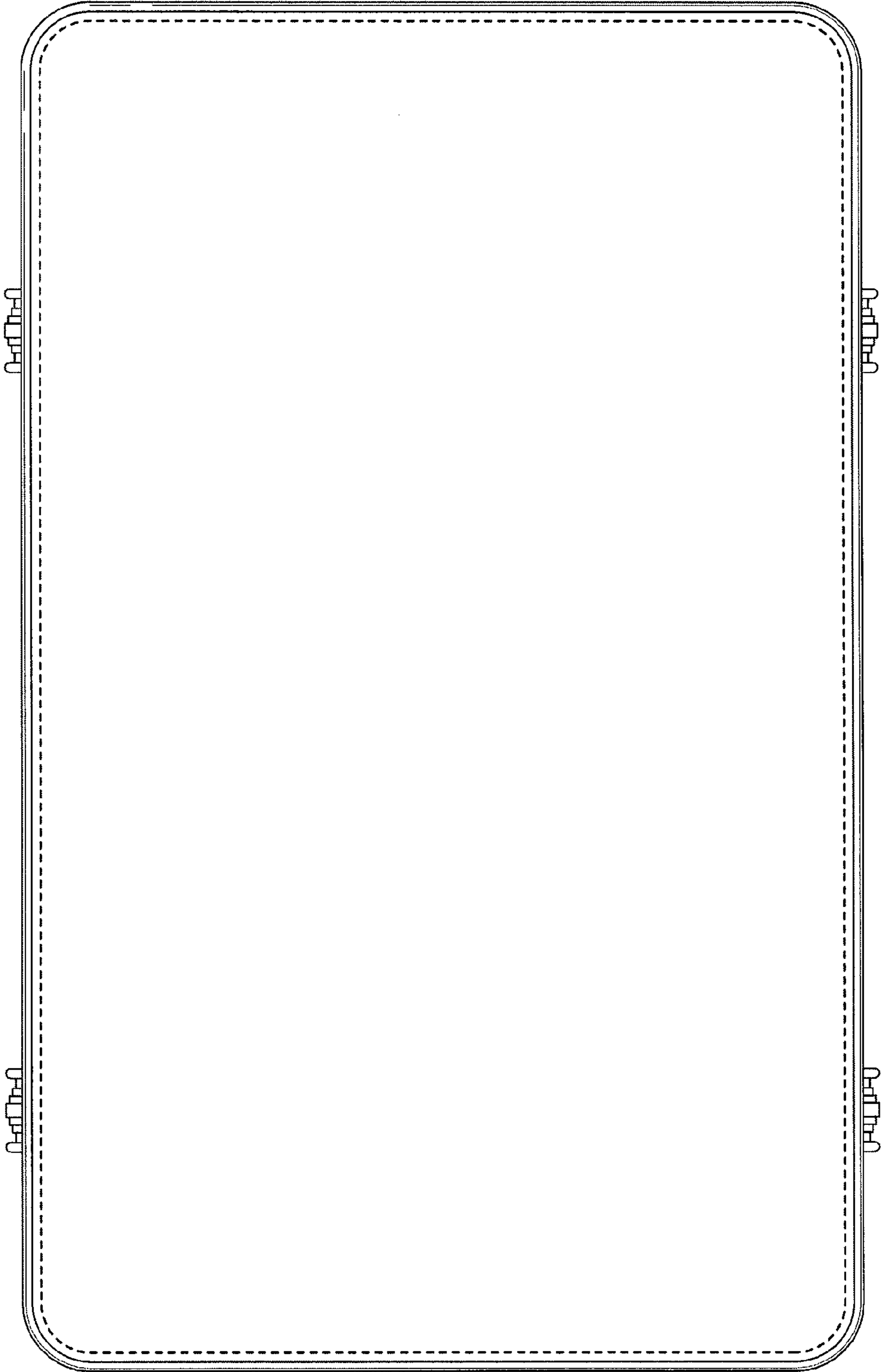


FIG. 6

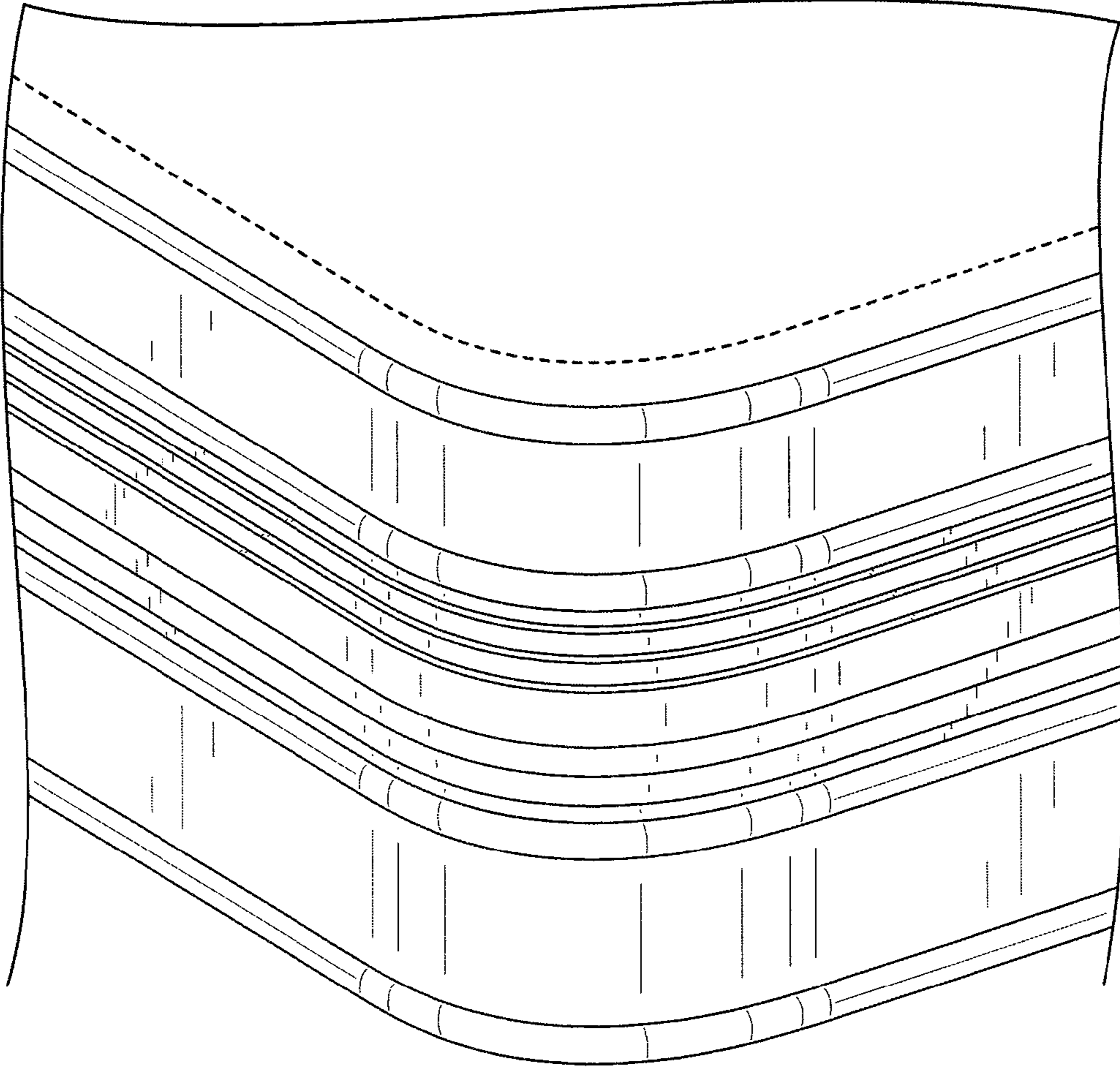


FIG. 7