



US00D670125S

(12) **United States Design Patent**  
**Agarwall**

(10) **Patent No.:** **US D670,125 S**

(45) **Date of Patent:** **\*\* Nov. 6, 2012**

(54) **BED SHEET**

(75) Inventor: **Arun Agarwall**, Dallas, TX (US)

(73) Assignee: **Alok International Inc.**, Dallas, TX (US)

(\*\*) Term: **14 Years**

(21) Appl. No.: **29/401,804**

(22) Filed: **Sep. 15, 2011**

(51) **LOC (9) Cl.** ..... **06-13**

(52) **U.S. Cl.** ..... **D6/602**

(58) **Field of Classification Search** ..... D6/595-600,  
D6/602, 603, 605-609; 5/482-486, 493-502,  
5/691, 692

See application file for complete search history.

(56) **References Cited**

**U.S. PATENT DOCUMENTS**

1,841,410	A *	1/1932	Karr	5/500
2,214,074	A *	9/1940	Clarke	5/499
2,789,292	A *	4/1957	Budinquest	5/486
2,801,427	A *	8/1957	Crocker	5/483
3,181,179	A *	5/1965	Roddey, Jr.	5/497
4,662,013	A *	5/1987	Harrison	5/497
4,768,252	A *	9/1988	Ross	5/497
4,891,856	A *	1/1990	Thornhill	5/496
5,479,664	A *	1/1996	Hollander	5/499

5,513,403	A *	5/1996	Wooten, Jr.	5/497
7,086,102	B1 *	8/2006	Frazier	5/502
7,316,039	B2 *	1/2008	Wooten, Jr.	5/497
2006/0107461	A1 *	5/2006	Wooten	5/497

\* cited by examiner

*Primary Examiner* — Mary Ann Calabrese

(74) *Attorney, Agent, or Firm* — Rader, Fishman & Grauer PLLC

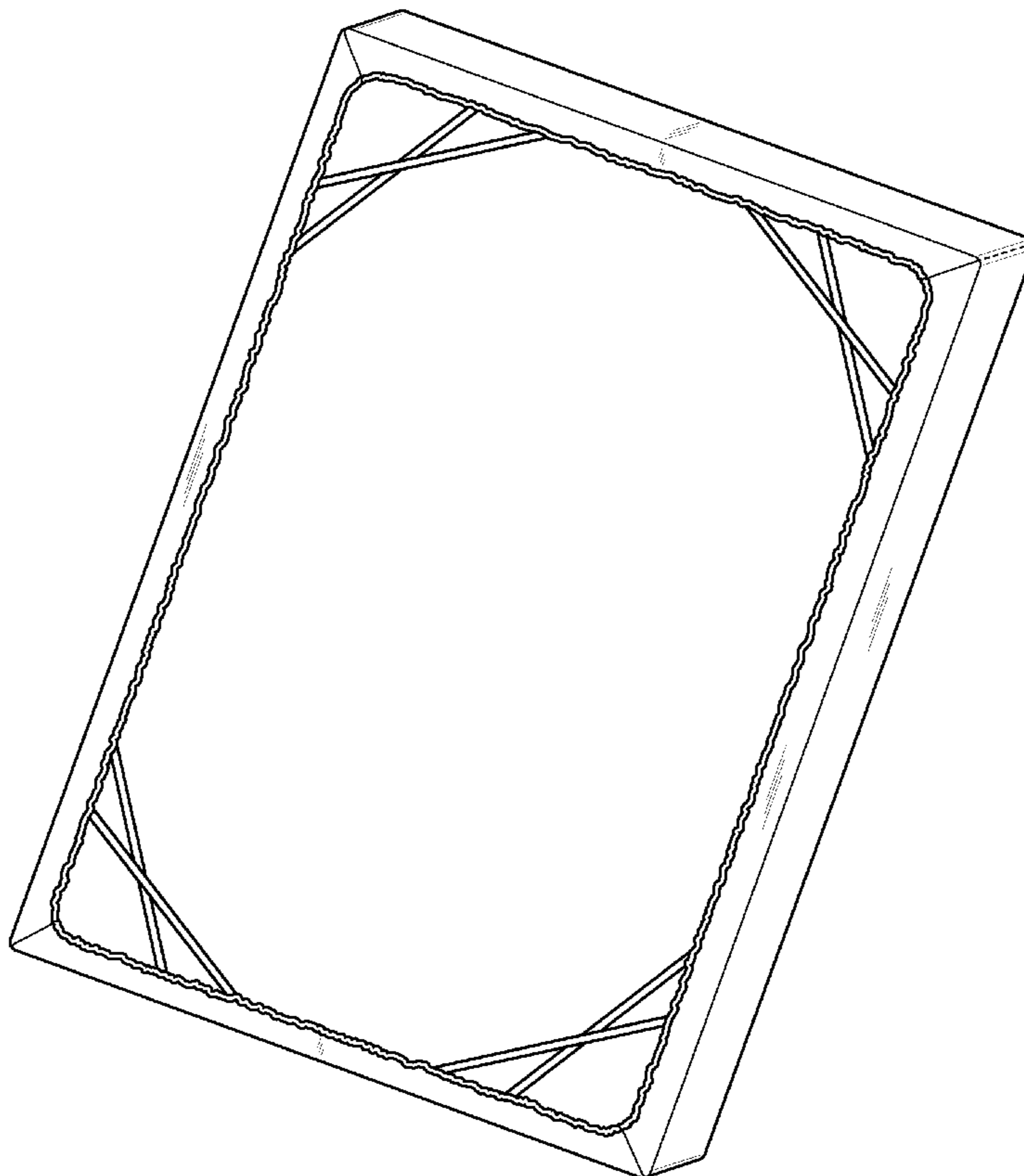
(57) **CLAIM**

The ornamental design for bed sheet, as shown and described.

**DESCRIPTION**

FIG. 1 is a perspective view of a bed sheet;  
 FIG. 2 is an enlarged fragmentary bottom view of the bed sheet in the “installed” position;  
 FIG. 3 is an enlarged fragmentary perspective view of the bed sheet in the “installed” position;  
 FIG. 4 is an enlarged fragmentary bottom view of the inner side of the bed sheet in the “uninstalled” position, showing the elasticized band such that the attachment of the straps to the elasticized band can be seen; and,  
 FIG. 5 is an enlarged fragmentary bottom view of the bed sheet in the uninstalled position.  
 Portions of FIGS. 1-5 that are shown as broken lines are for illustrative purpose only and form no part of the claimed design.

**1 Claim, 3 Drawing Sheets**



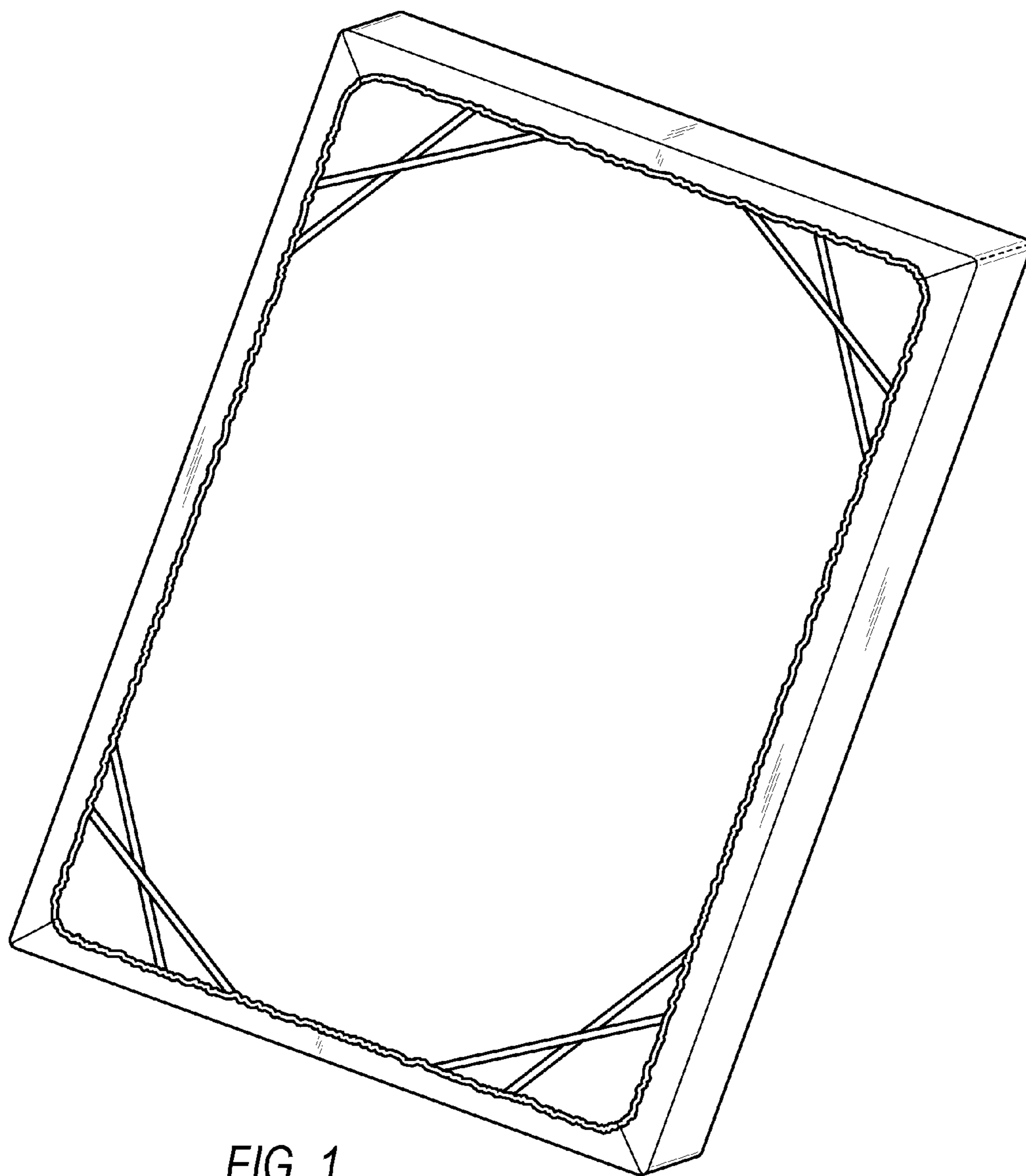


FIG. 1

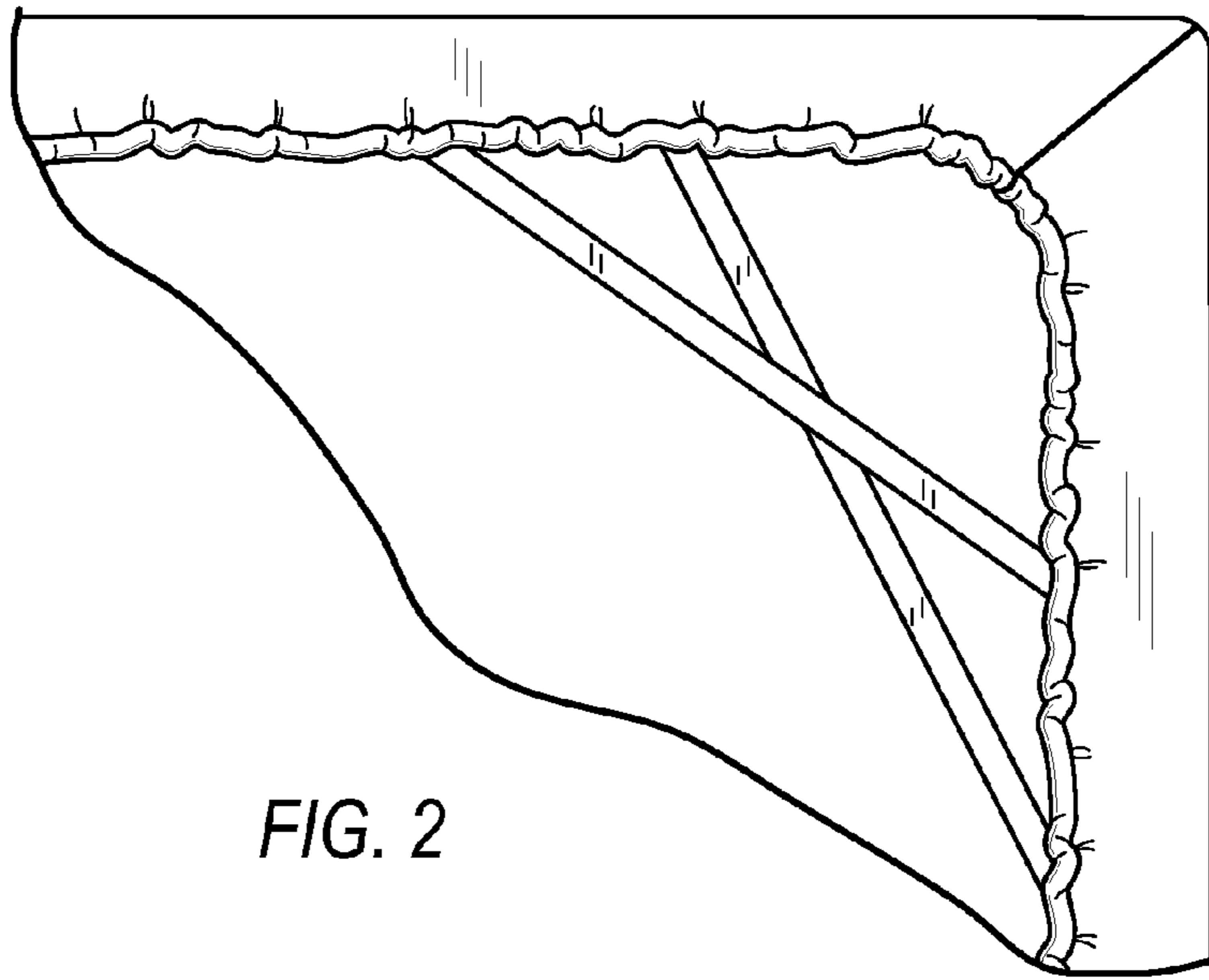


FIG. 2

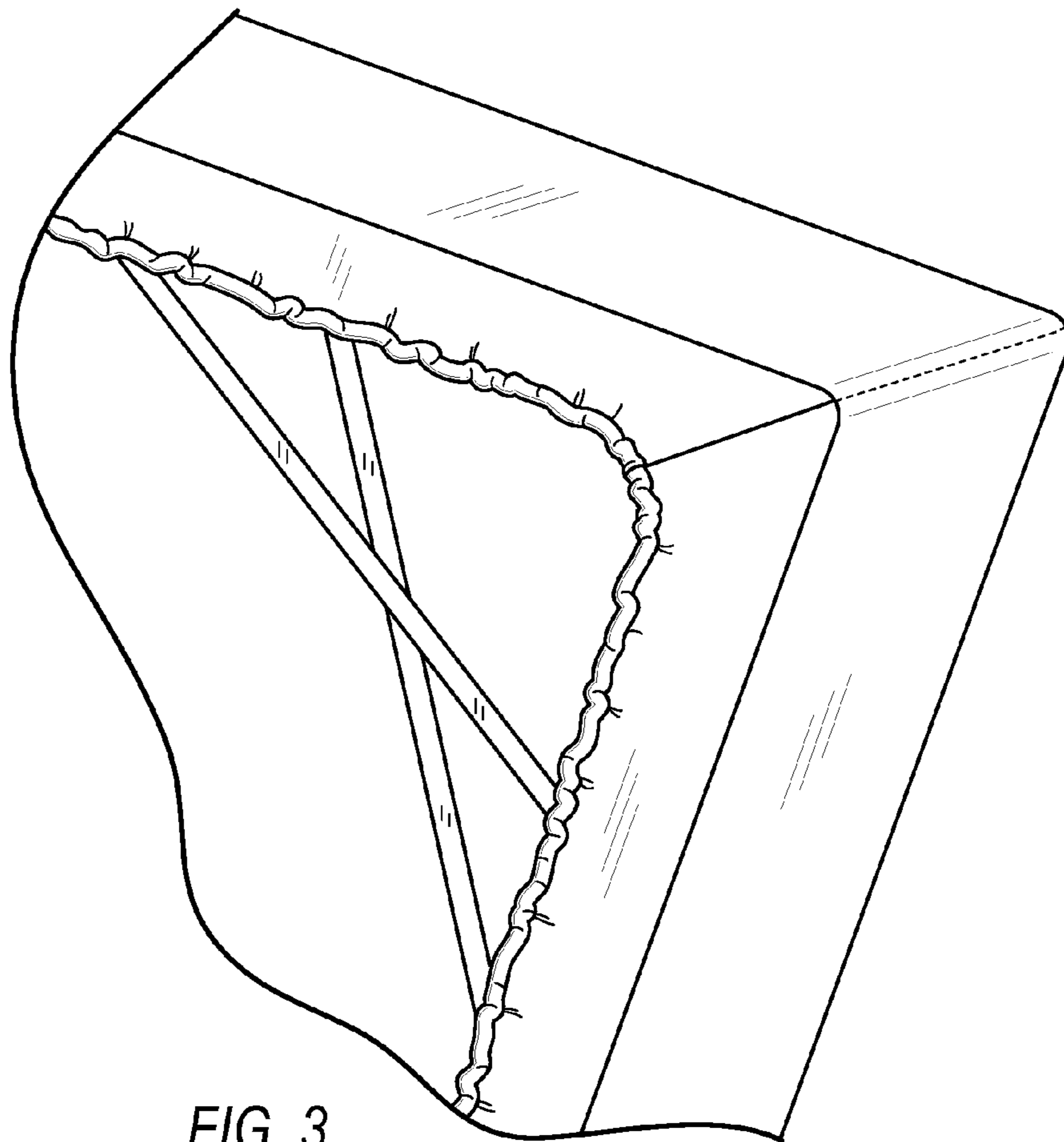


FIG. 3

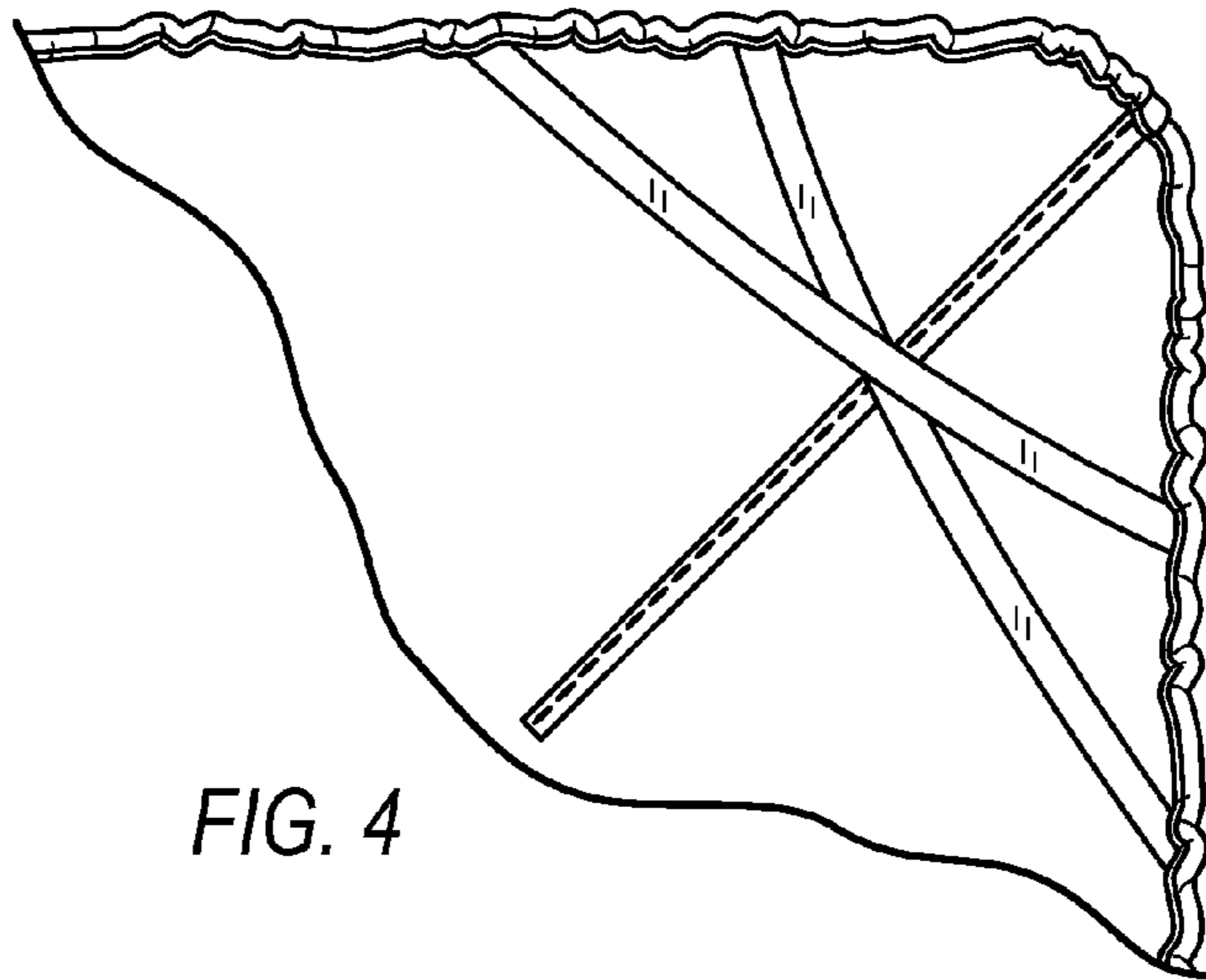


FIG. 4

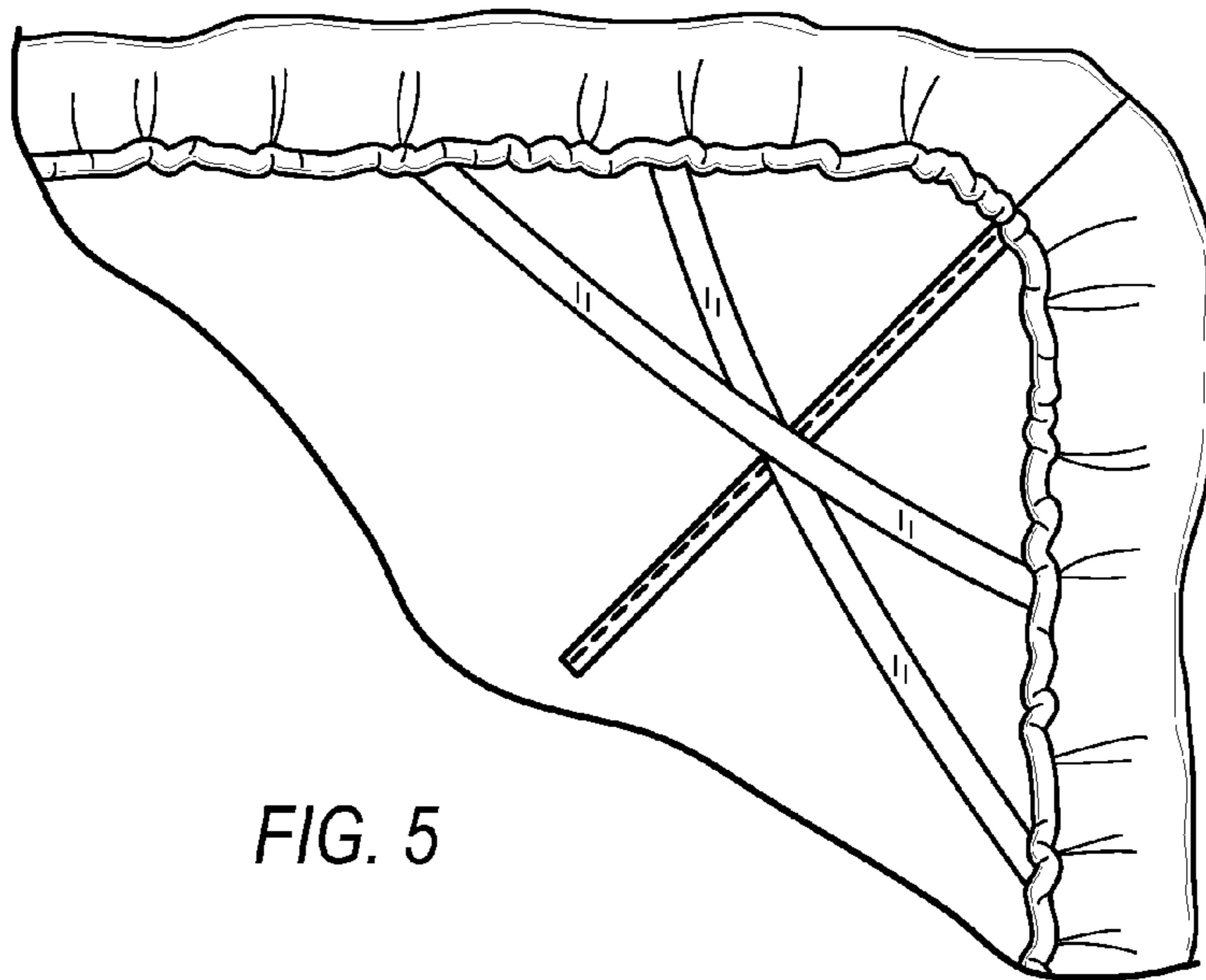


FIG. 5