



US00D670120S

(12) **United States Design Patent**
Ng

(10) **Patent No.:** **US D670,120 S**
(45) **Date of Patent:** **** Nov. 6, 2012**

(54) **UNIVERSAL CHILD SAFETY TENSIONER FOR A ROLLER BLIND**

Primary Examiner — Susan Bennett Hattan
Assistant Examiner — Barbara B Lohr
(74) *Attorney, Agent, or Firm* — Elias Borges

(76) Inventor: **Philip Ng**, Thornhill (CA)

(**) Term: **14 Years**

(57) **CLAIM**

The ornamental design for a universal child safety tensioner for a roller blind, as shown and described.

(21) Appl. No.: **29/388,295**

(22) Filed: **Mar. 28, 2011**

DESCRIPTION

(51) **LOC (9) Cl.** **06-10**

(52) **U.S. Cl.** **D6/580**

(58) **Field of Classification Search** D6/575,
D6/576, 578, 579, 580, 581; 160/38, 39,
160/168.1, 168.1 R, 168.1 V, 173, 173 R,
160/176.1 R, 176.1 V, 178.1 R, 178.2, 331,
160/349.1; 318/16, 17, 600; 340/854.5;
84/10; D15/28

See application file for complete search history.

FIG. 1 is a perspective view from the bottom of the universal child safety tensioner for a roller blind.

FIG. 2 is a perspective view from the top of the universal child safety tensioner for a roller blind.

FIG. 3 is a front view of the universal child safety tensioner for a roller blind.

FIG. 4 is a back view of the universal child safety tensioner for a roller blind.

FIG. 5 is a right side view of the universal child safety tensioner for a roller blind.

FIG. 6 is a left side view of the universal child safety tensioner for a roller blind.

FIG. 7 is a bottom view of the universal child safety tensioner for a roller blind, the broken lines depicting environment that forms no part of the claimed design; and,

FIG. 8 is a top view of the universal child safety tensioner for a roller blind.

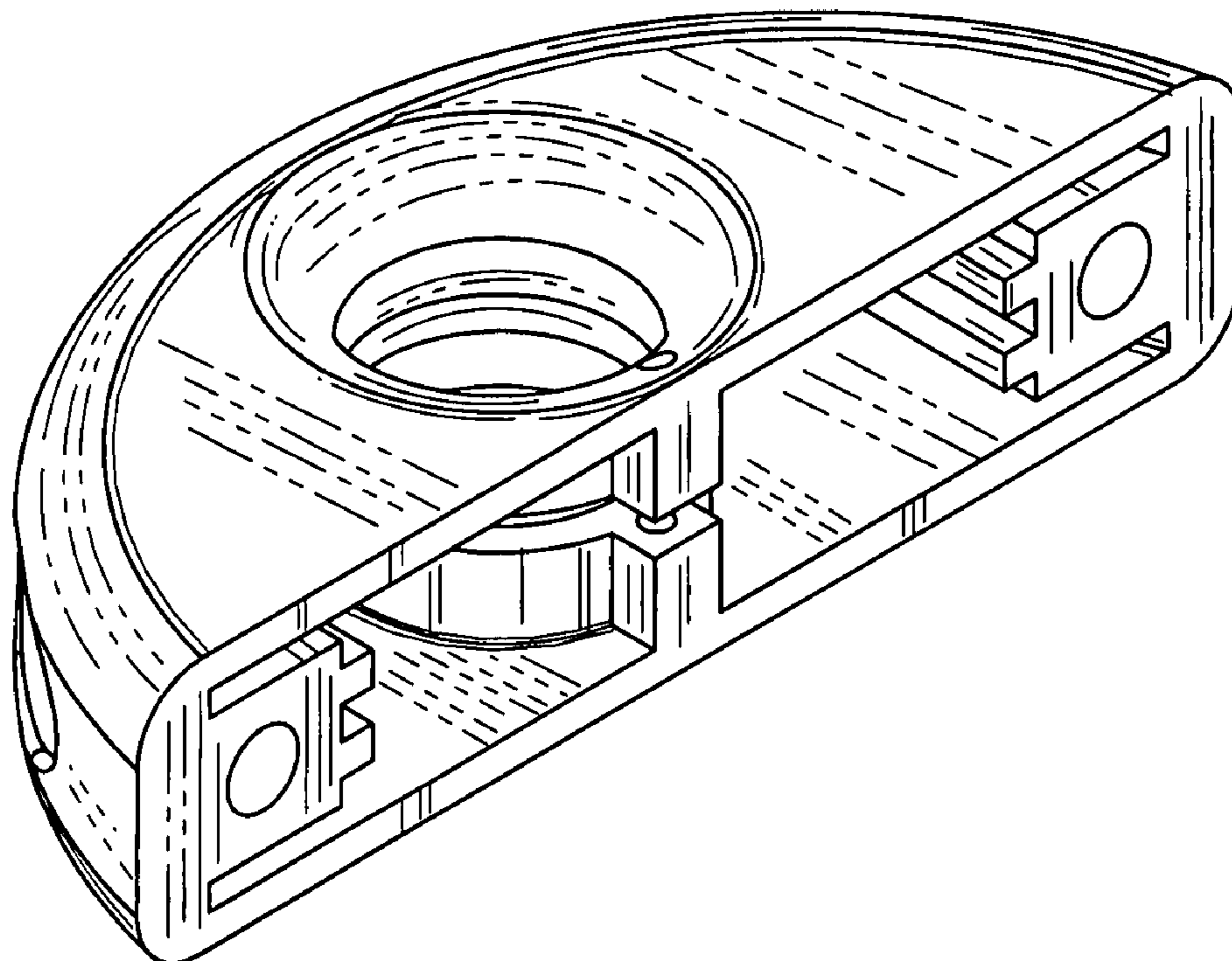
(56) **References Cited**

U.S. PATENT DOCUMENTS

D530,558 S *	10/2006	Damiano	D6/580
D583,603 S *	12/2008	Samuelsson	D6/580
D617,596 S *	6/2010	Licciardi Di Stefano	D6/580
D617,597 S *	6/2010	Di Stefano	D6/580
D617,598 S *	6/2010	Di Stefano	D6/580
D628,843 S *	12/2010	Di Stefano	D6/580
D634,573 S *	3/2011	Risher	D6/580

* cited by examiner

1 Claim, 8 Drawing Sheets



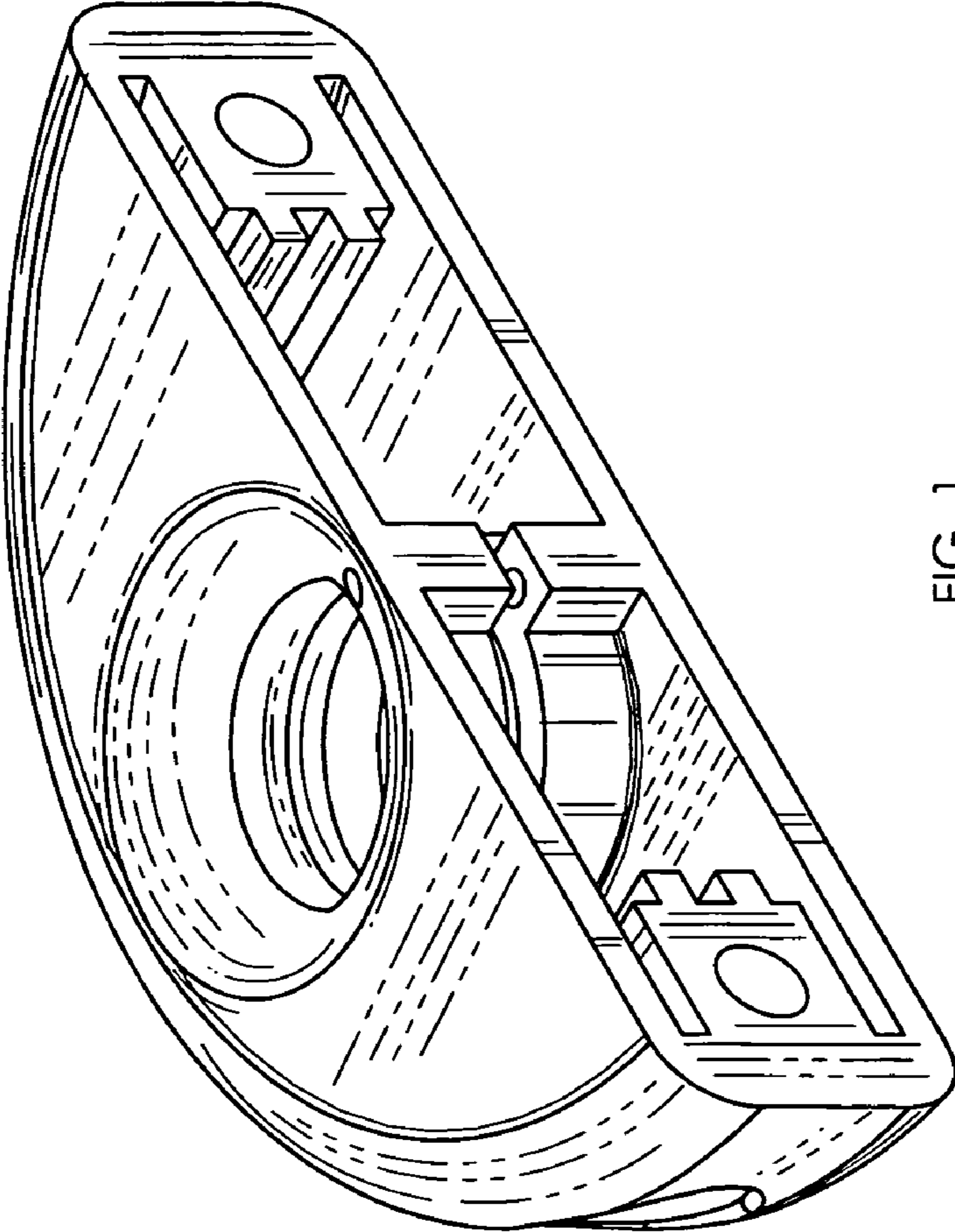


FIG. 1

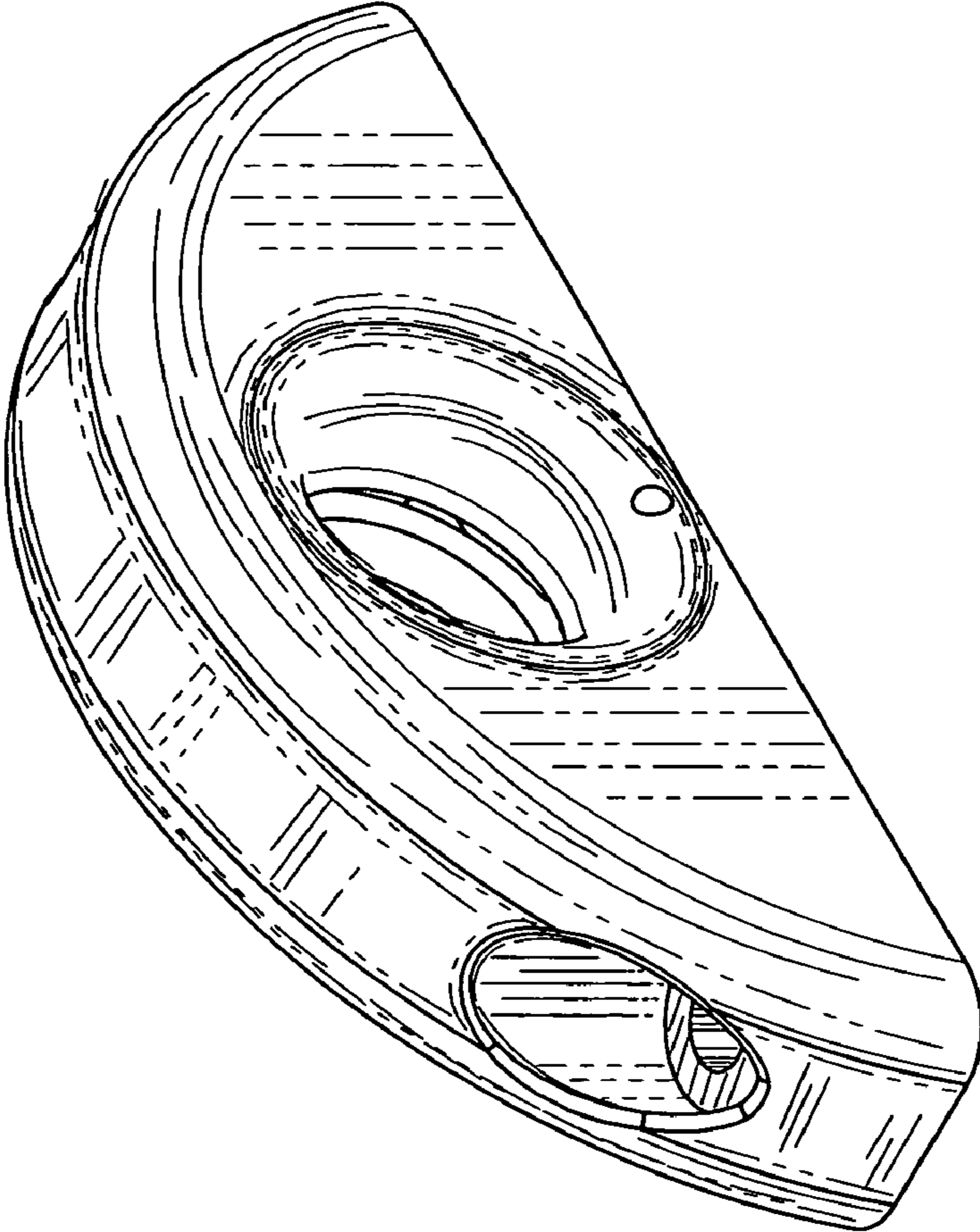


FIG. 2

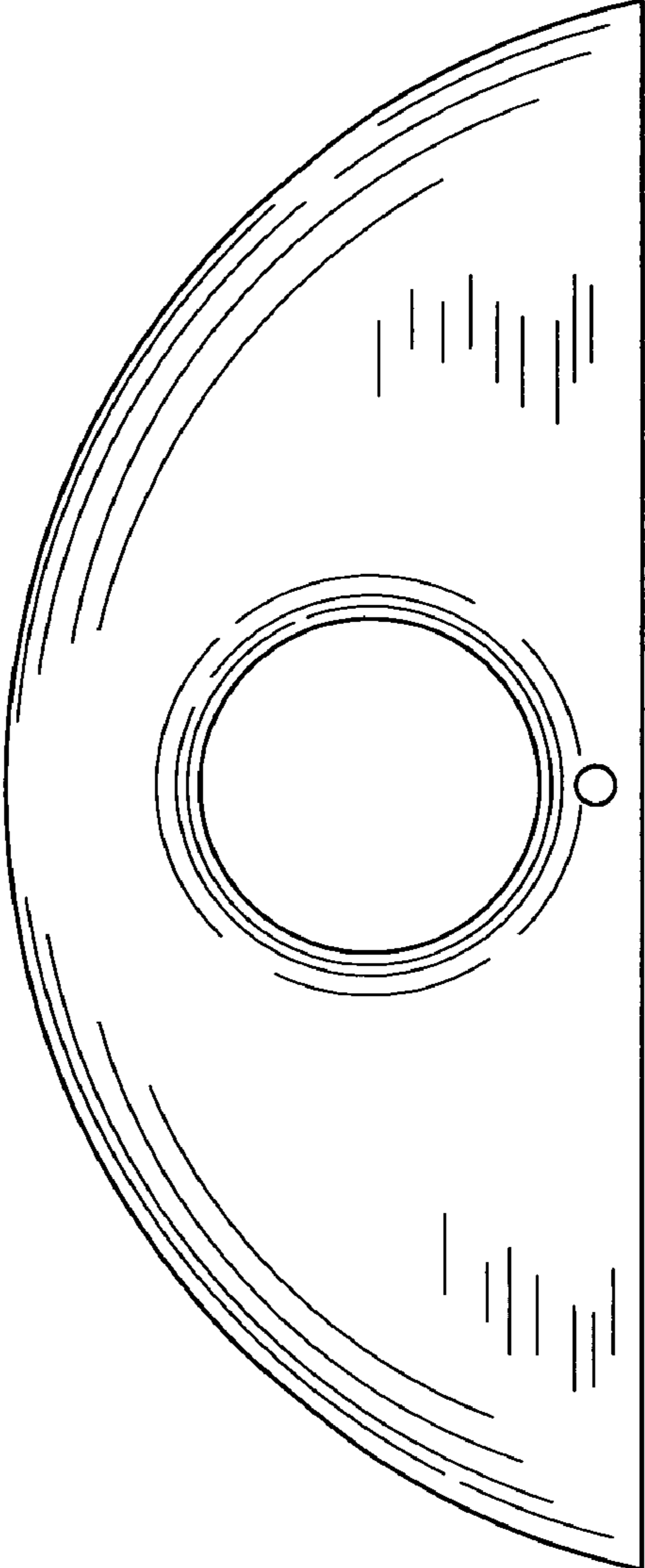


FIG 3

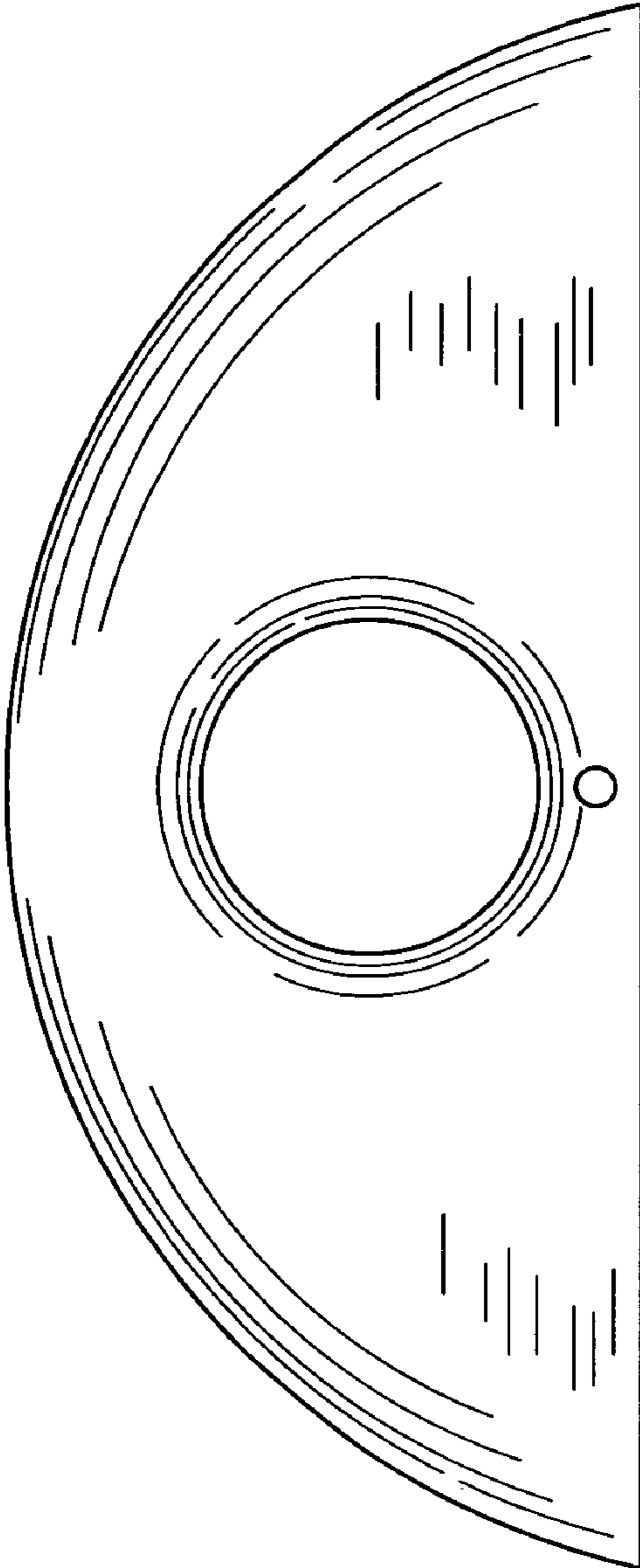


FIG 4

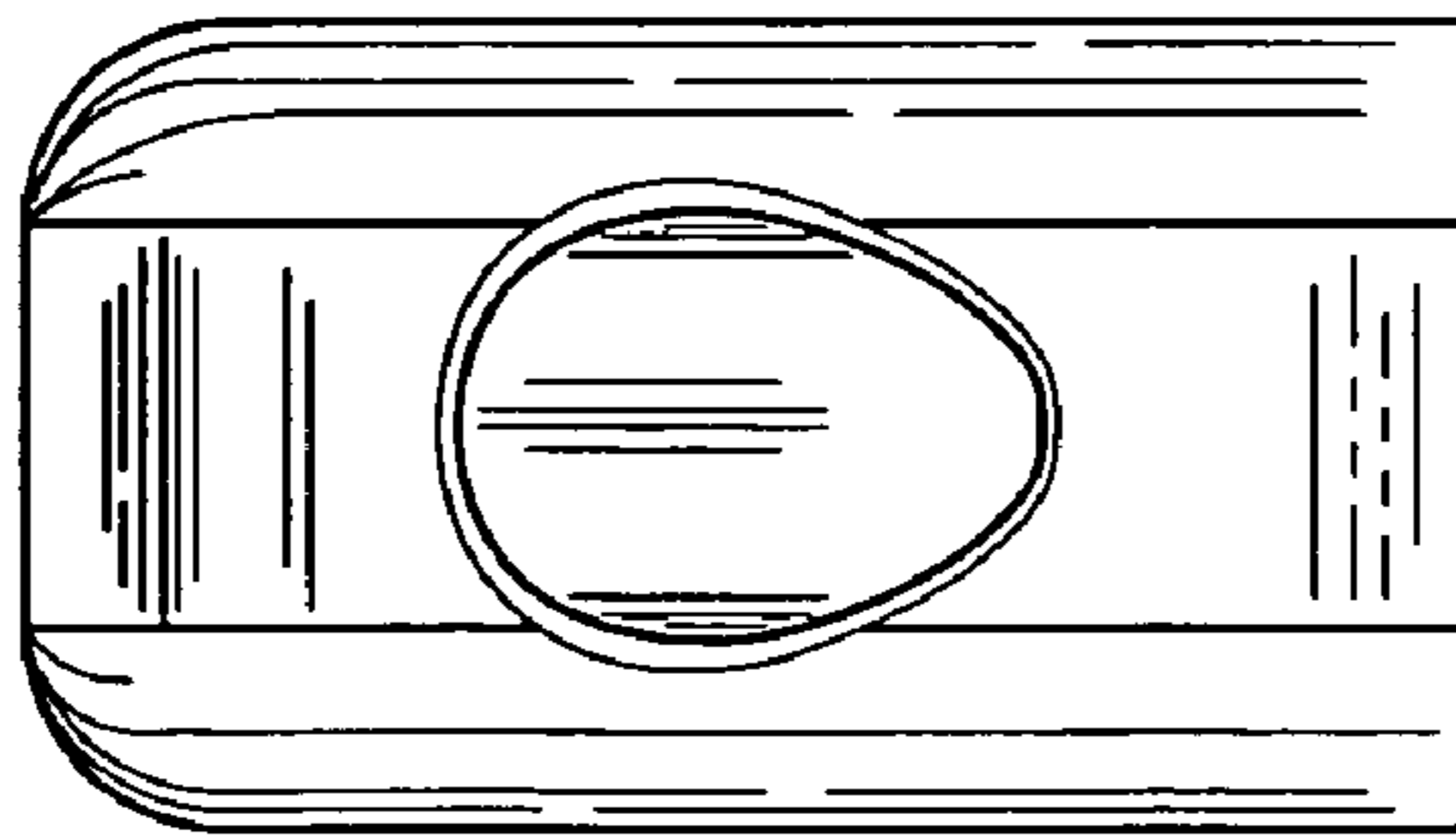


FIG 5

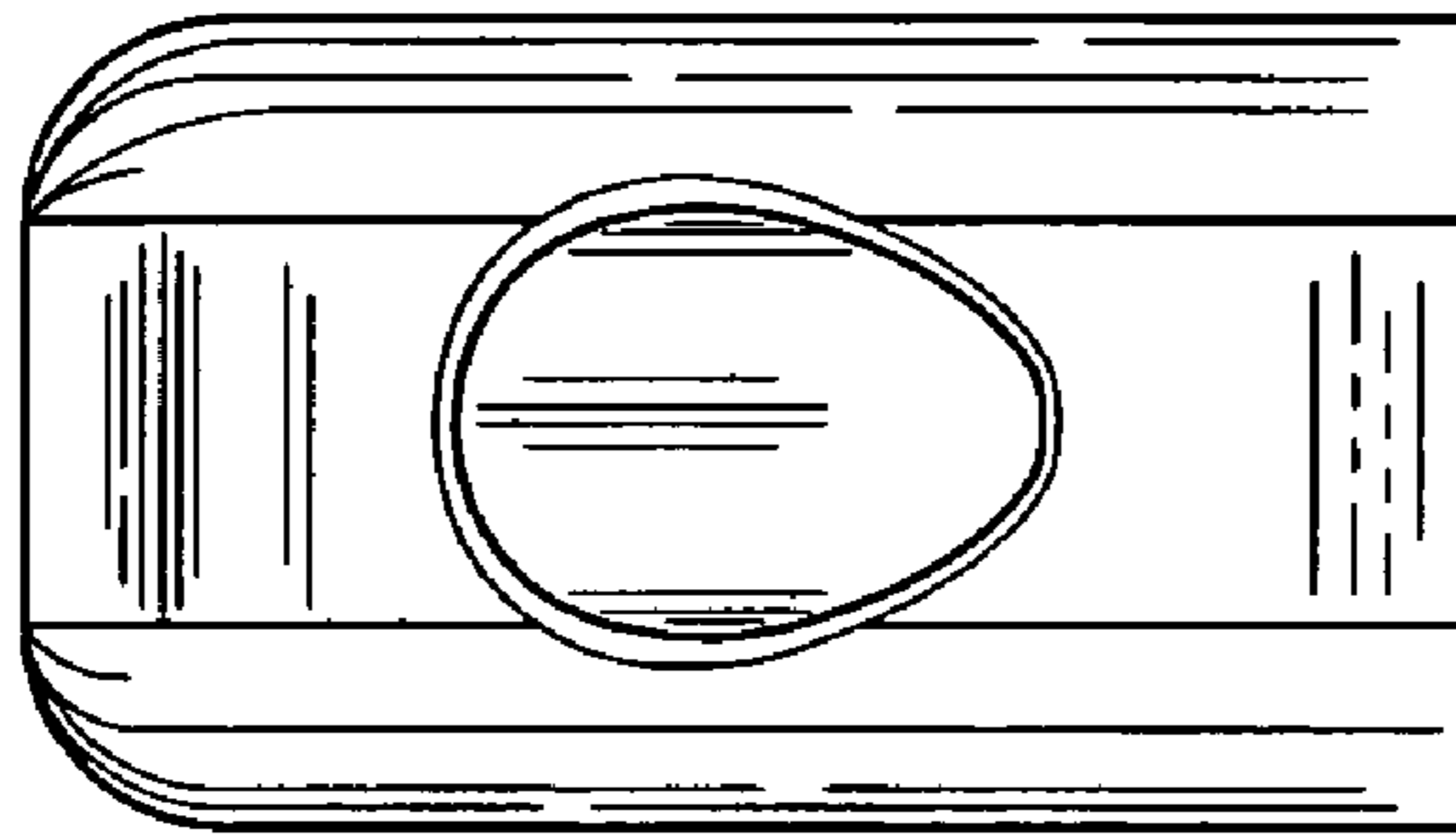


FIG 6

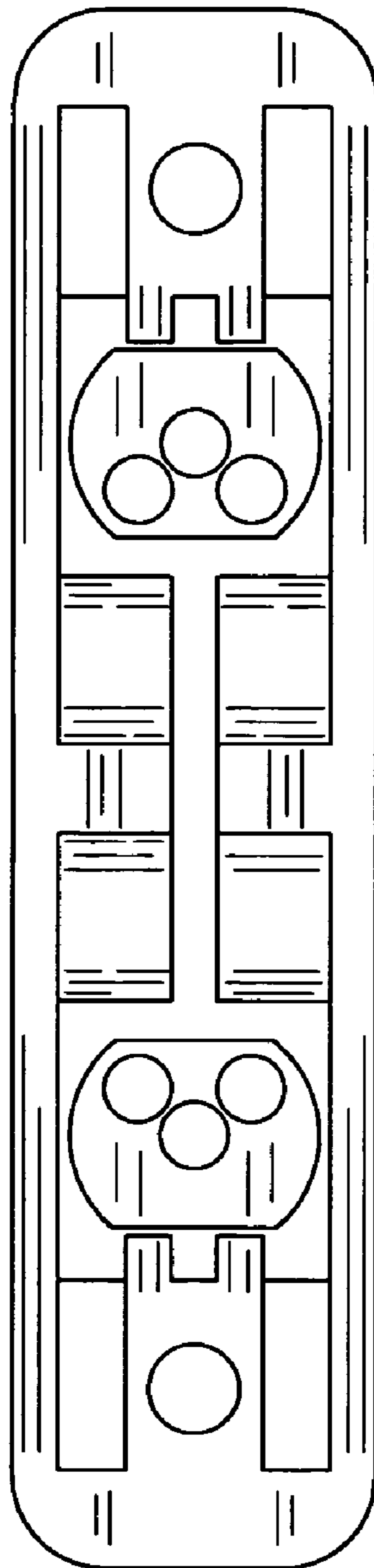


FIG 7

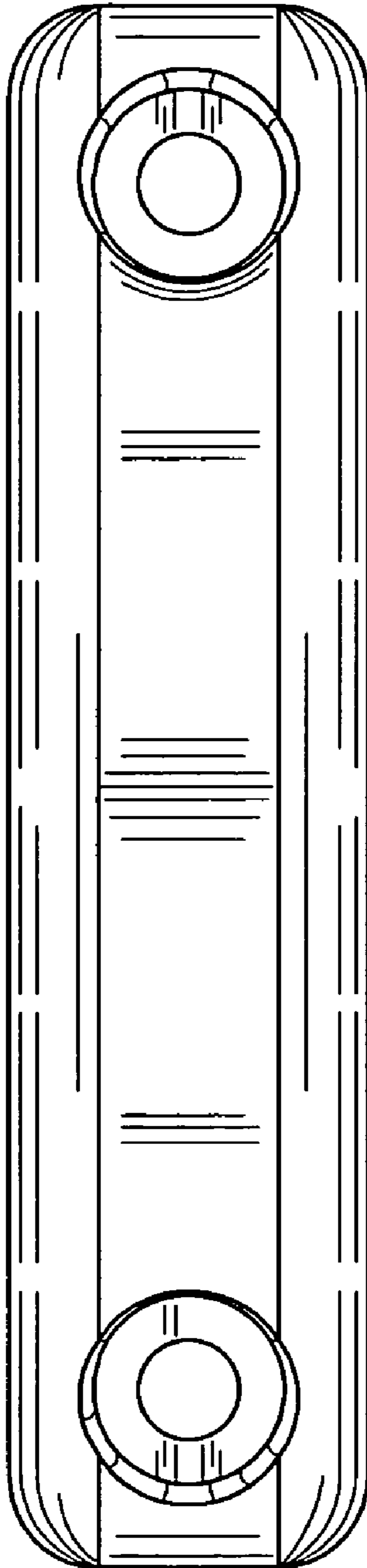


FIG 8