



US00D670117S

(12) **United States Design Patent**
Davis

(10) **Patent No.:** **US D670,117 S**
(45) **Date of Patent:** **** Nov. 6, 2012**

(54) **ELECTRONIC KEY RECHARGING BOX**

(75) Inventor: **Paul R. Davis**, Corvallis, OR (US)

(73) Assignee: **Videx, Inc.**, Corvallis, OR (US)

(**) Term: **14 Years**

(21) Appl. No.: **29/426,586**

(22) Filed: **Jul. 6, 2012**

Related U.S. Application Data

(62) Division of application No. 29/388,424, filed on Mar. 29, 2011, now Pat. No. Des. 663,145.

(51) **LOC (9) Cl.** **06-04**

(52) **U.S. Cl.** **D6/559**

(58) **Field of Classification Search** D6/553,
D6/559, 560, 561, 329, 396, 442, 448, 436,
D6/437, 438, 439, 444, 445, 446, 468; 312/209,
312/234, 224, 225, 242, 245; 206/320, 823;
D8/330-331, 346; D13/107-109; D99/28;
320/107-115; 20/63, 69, 78, 80, 158, 271,
20/431, 434, 443

See application file for complete search history.

(56) **References Cited**

U.S. PATENT DOCUMENTS

D266,199 S * 9/1982 Schattner et al. D99/28
D297,195 S * 8/1988 Warwicker D6/559
D484,725 S * 1/2004 Howard D6/559
D495,234 S * 8/2004 Fisher et al. D8/330
D500,224 S * 12/2004 Drehs D6/559

D582,254 S * 12/2008 Turpault et al. D8/346
D635,377 S * 4/2011 Rodgers et al. D6/468
D638,020 S * 5/2011 Johnson et al. D13/107
D642,556 S * 8/2011 Lee D13/108

* cited by examiner

Primary Examiner — Brian N Vinson

(74) *Attorney, Agent, or Firm* — J. Douglas Wells

(57) **CLAIM**

The ornamental design for an electronic key recharging box, as shown and described.

DESCRIPTION

FIG. 1 is a perspective view of an electronic key recharging box showing my new design, with the door of the key box in an open position;

FIG. 2 is a front elevation view thereof, with the door of the key box in a closed position;

FIG. 3 is a right side elevational view thereof, the left side being a mirror image of that shown, and with the door of the key box in a closed position;

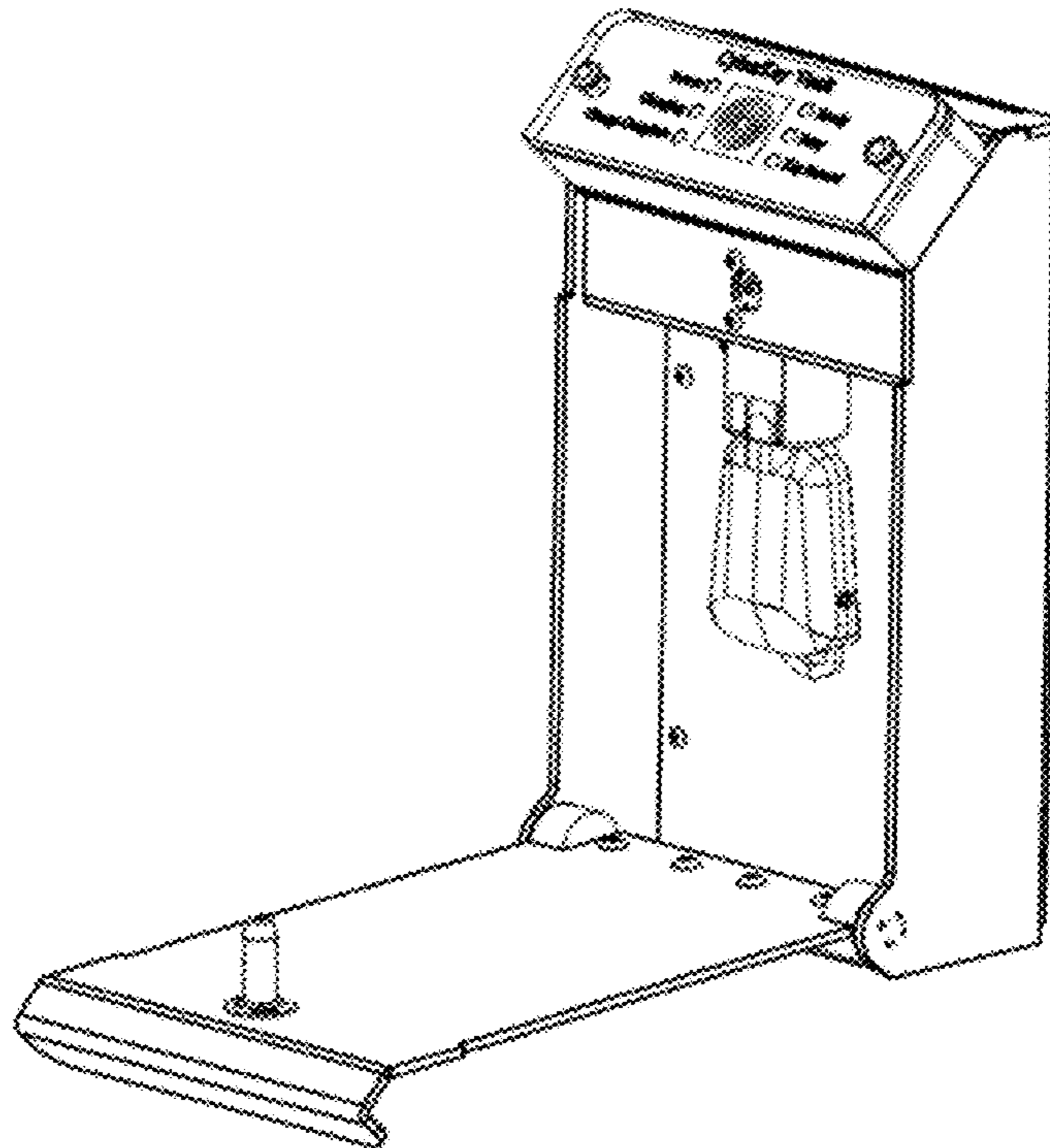
FIG. 4 is a top plan view thereof; with the door of the key box in a closed position;

FIG. 5 is a rear elevational view thereof; and,

FIG. 6 is a bottom plan view thereof, with the door of the key box in a closed position.

The broken line disclosure in the views is understood to represent portions of the article in which the claimed design is embodied, but which form no part of the claimed design.

1 Claim, 6 Drawing Sheets



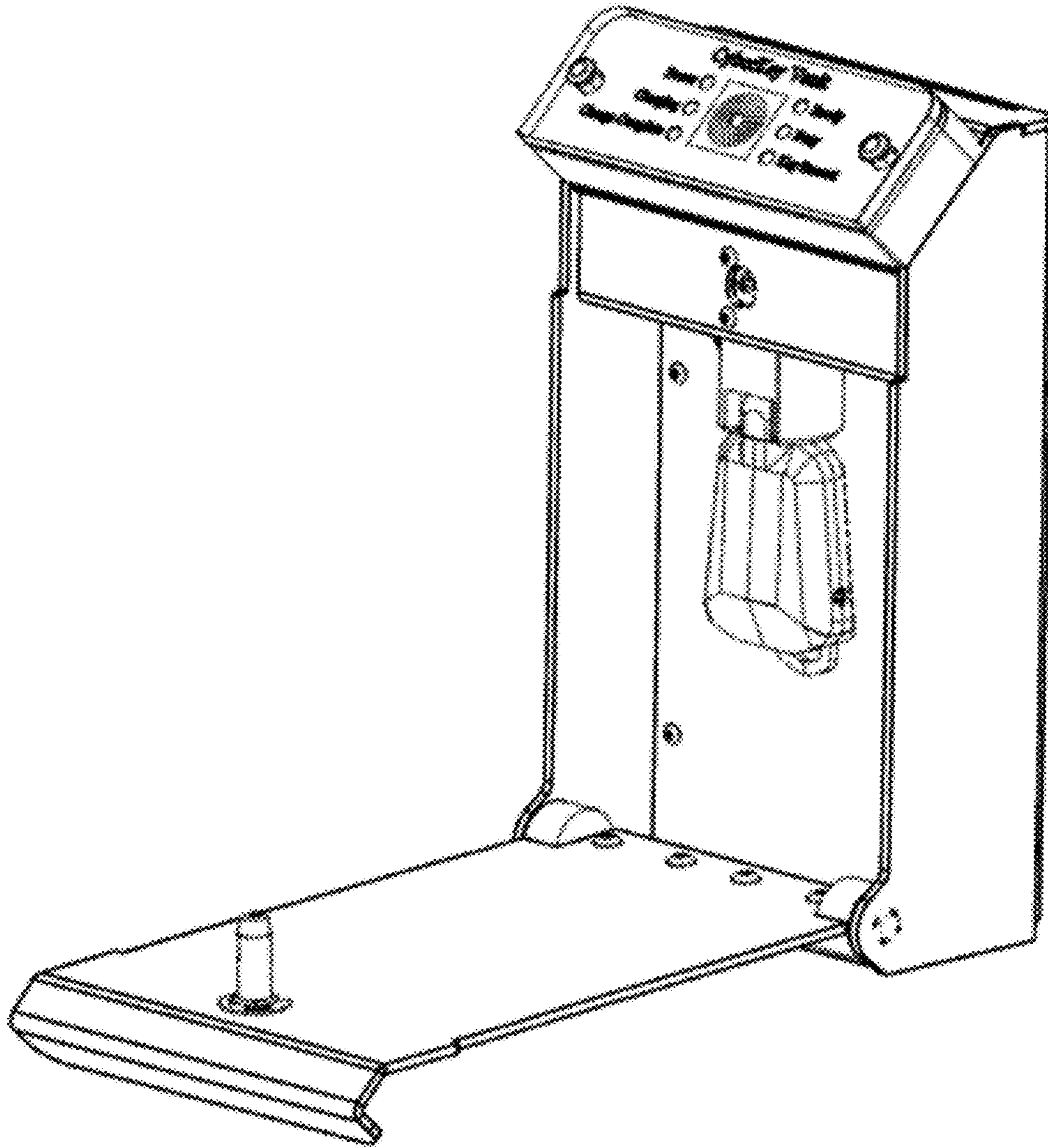


Fig. 1

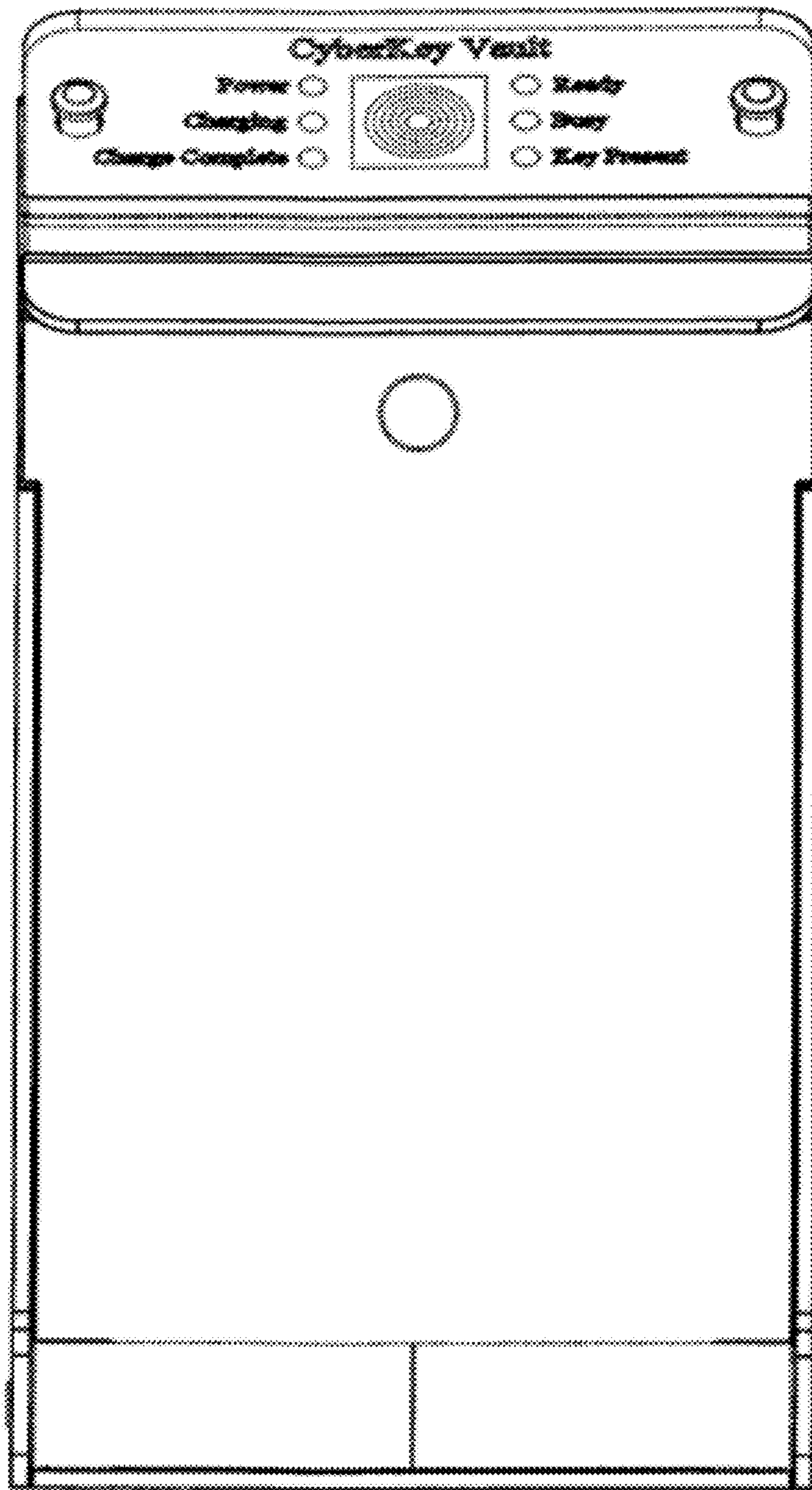


Fig. 2

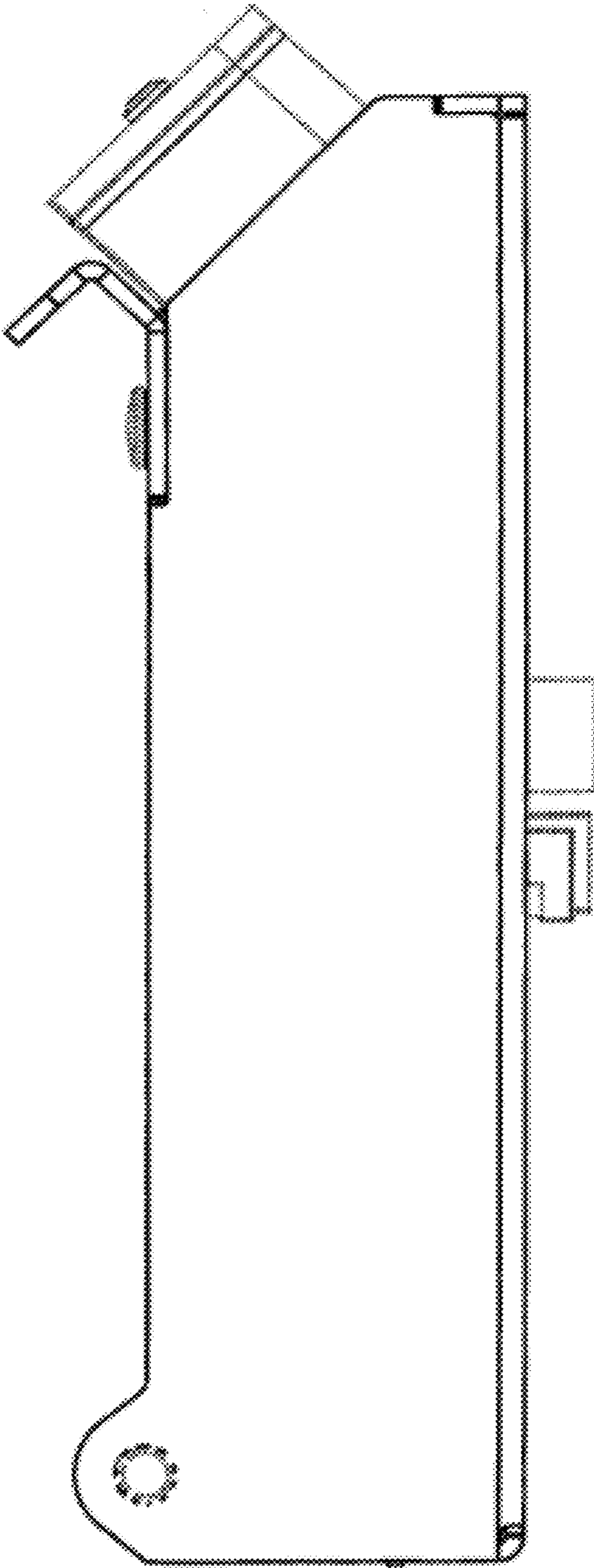


Fig. 3

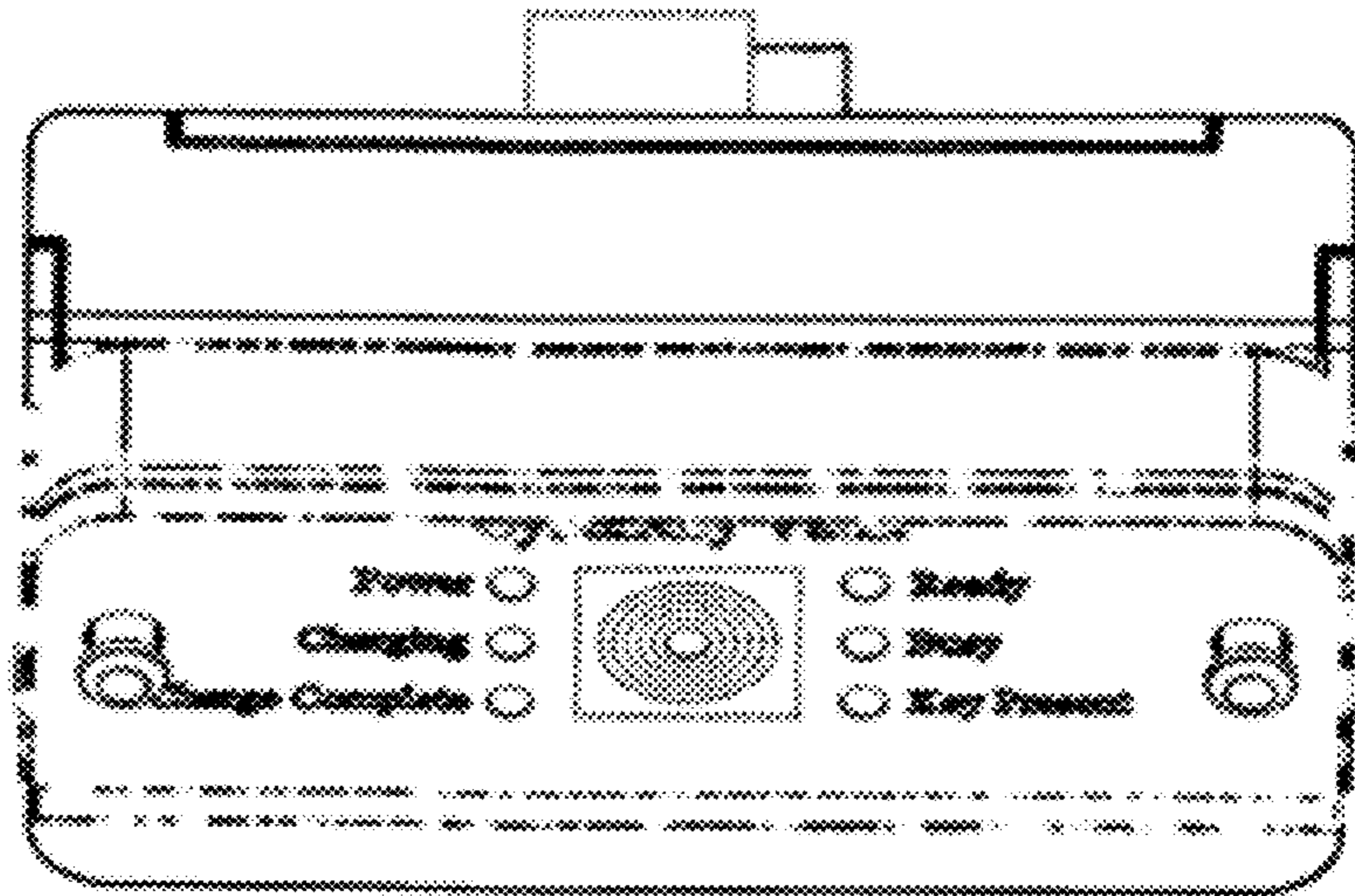


Fig. 4

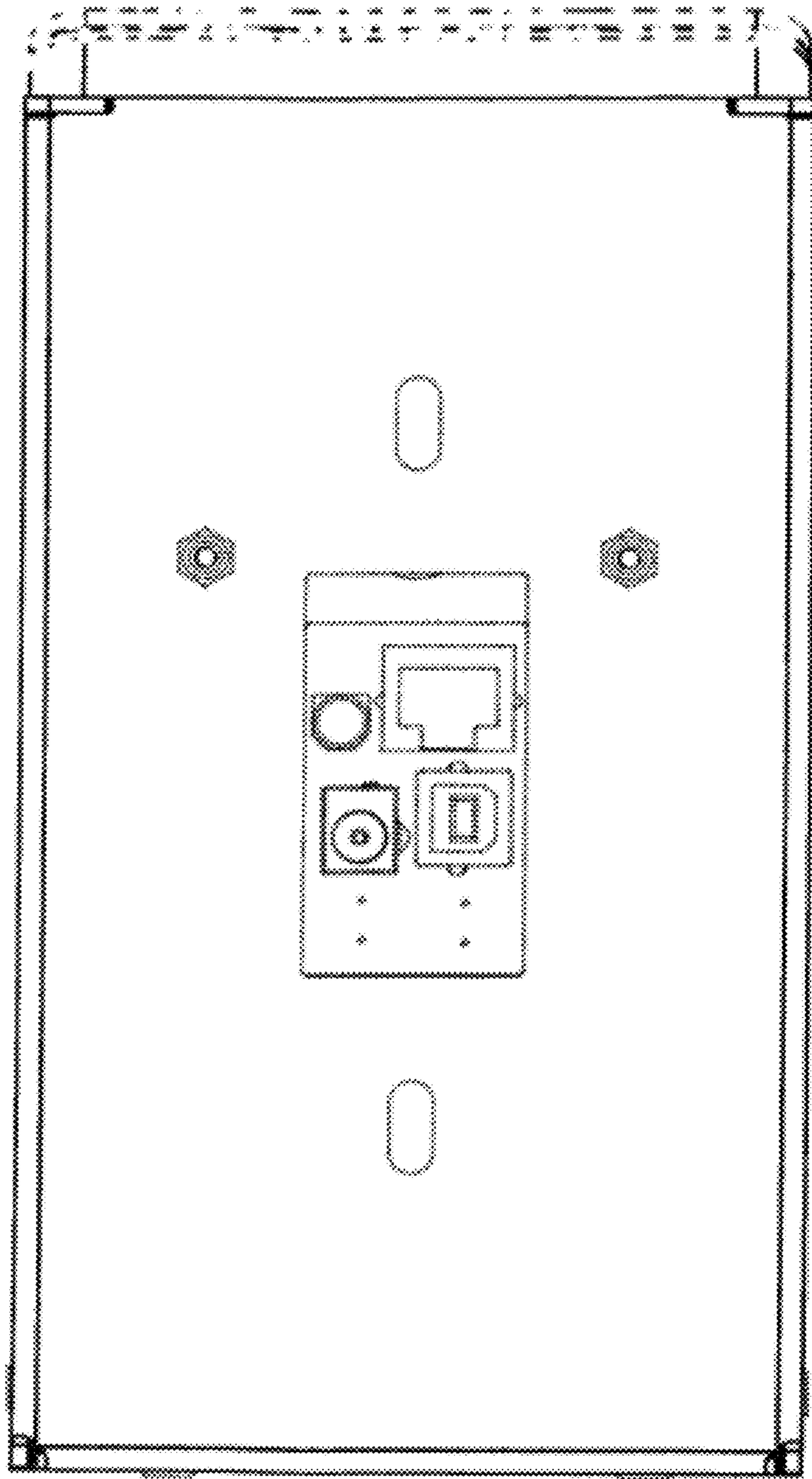


Fig. 5

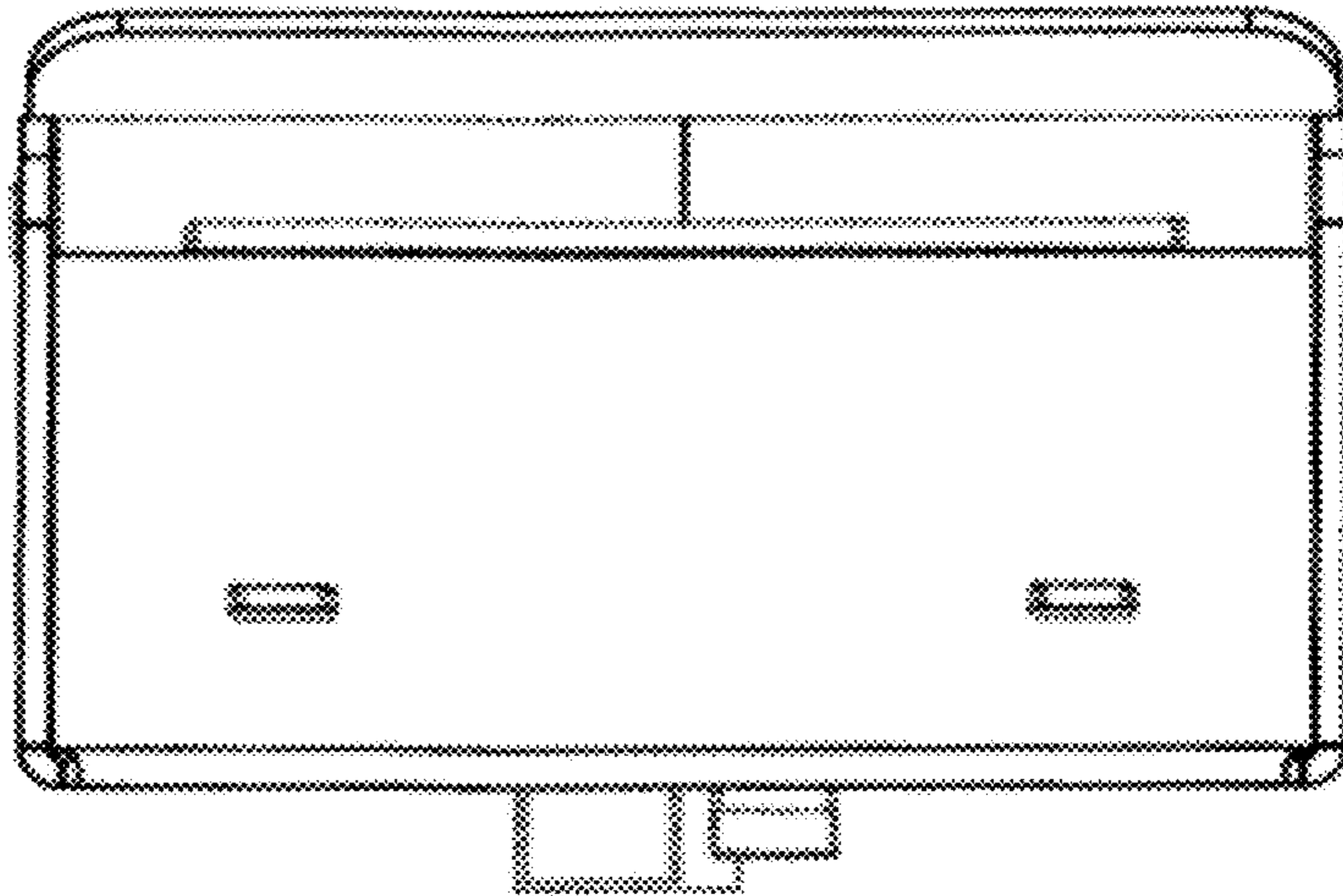


Fig. 6