



US00D670116S

(12) **United States Design Patent**
Amato

(10) **Patent No.:** **US D670,116 S**
(45) **Date of Patent:** **** Nov. 6, 2012**

(54) **TOOTHBRUSH CADDY**
(76) Inventor: **Ann Amato**, Largo, FL (US)
(**) Term: **14 Years**
(21) Appl. No.: **29/426,965**
(22) Filed: **Jul. 12, 2012**
(51) **LOC (9) Cl.** **23-02**
(52) **U.S. Cl.** **D6/534; D6/528**
(58) **Field of Classification Search** D6/524,
D6/526, 527, 528, 534; 206/208, 228, 209,
206/209.1, 361, 362, 362.1, 362.2, 362.3;
211/13.1, 66, 70.6, 86.01, 87.01; D7/701,
D7/635, 637

See application file for complete search history.

(56) **References Cited**

U.S. PATENT DOCUMENTS

2,038,941	A	4/1936	Koch	
2,414,379	A	1/1947	Kulling	
2,937,910	A	5/1960	Randa	
3,287,076	A	11/1966	Spofford	
3,450,269	A	6/1969	Simeti	
3,531,072	A	9/1970	Lindquist	
D283,374	S	4/1986	Cheuk-Yiu	
6,776,296	B2	8/2004	Herren	
D502,546	S *	3/2005	Shin	D6/534
D511,919	S	11/2005	Descoteaux	
D538,091	S *	3/2007	Roth	D6/534

D608,577	S *	1/2010	Racanelli	D6/534
D618,937	S *	7/2010	Hadley	D6/534
D635,385	S *	4/2011	Renault	D6/534
D657,986	S *	4/2012	Climer et al.	D6/534
D661,147	S *	6/2012	Tran	D6/534
2005/0109662	A1	5/2005	Kirk	

* cited by examiner

Primary Examiner — Brian N Vinson

(74) *Attorney, Agent, or Firm* — Montgomery Patent & Design, LLC; Robert C. Montgomery; Joseph Yaksich

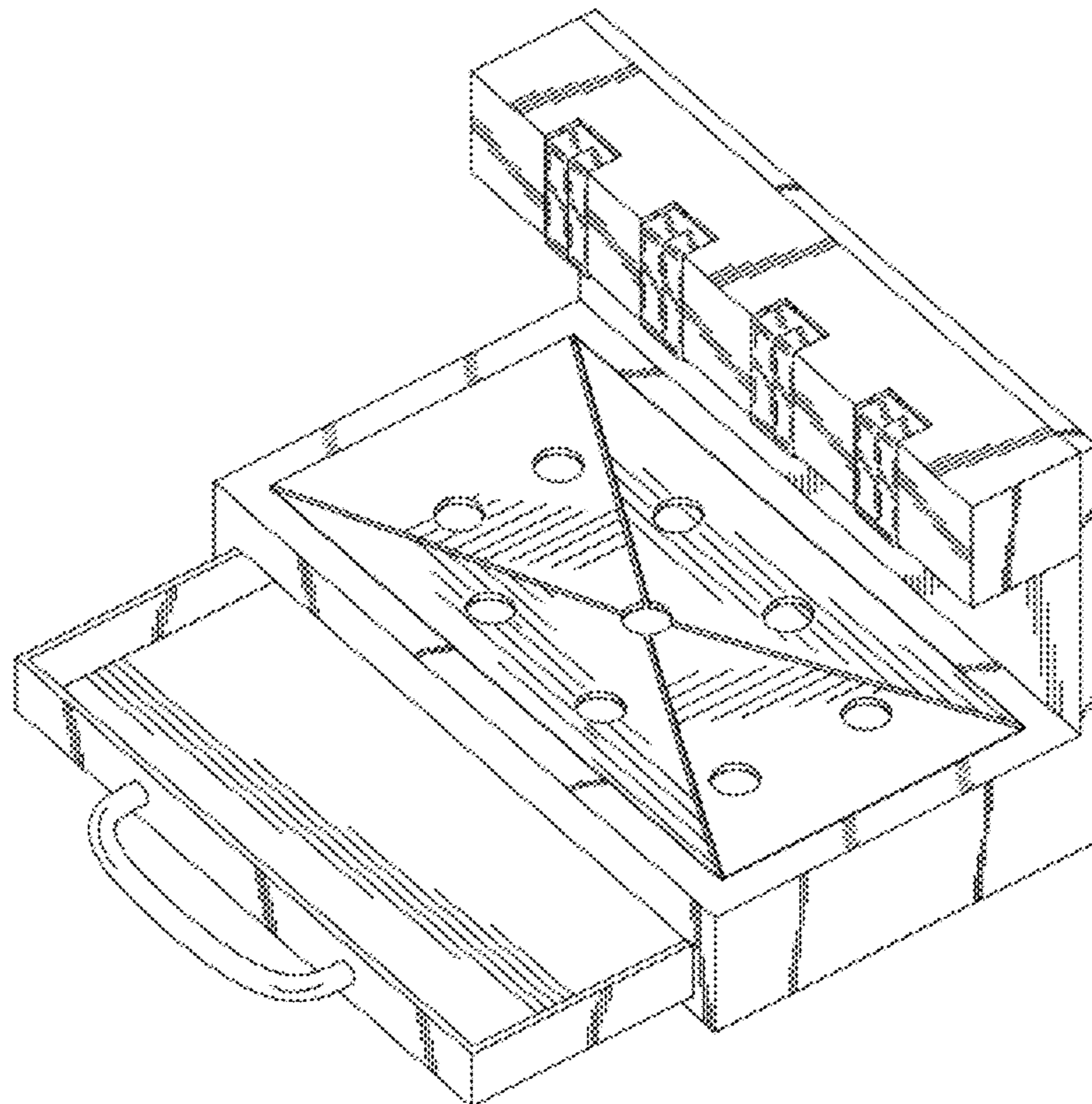
(57) **CLAIM**

The ornamental design for a toothbrush caddy, as shown and described.

DESCRIPTION

FIG. 1 is a perspective front view of a toothbrush caddy, showing my new design;
FIG. 2 is a front view thereof;
FIG. 3 is a rear view thereof;
FIG. 4 is a right side view thereof;
FIG. 5 is a top view thereof;
FIG. 6 is a bottom view thereof; and,
FIG. 7 is a perspective view of the toothbrush caddy with the drawer in an open configuration.
The left side view is identical and opposite of the right hand side view of FIG. 4.

1 Claim, 7 Drawing Sheets



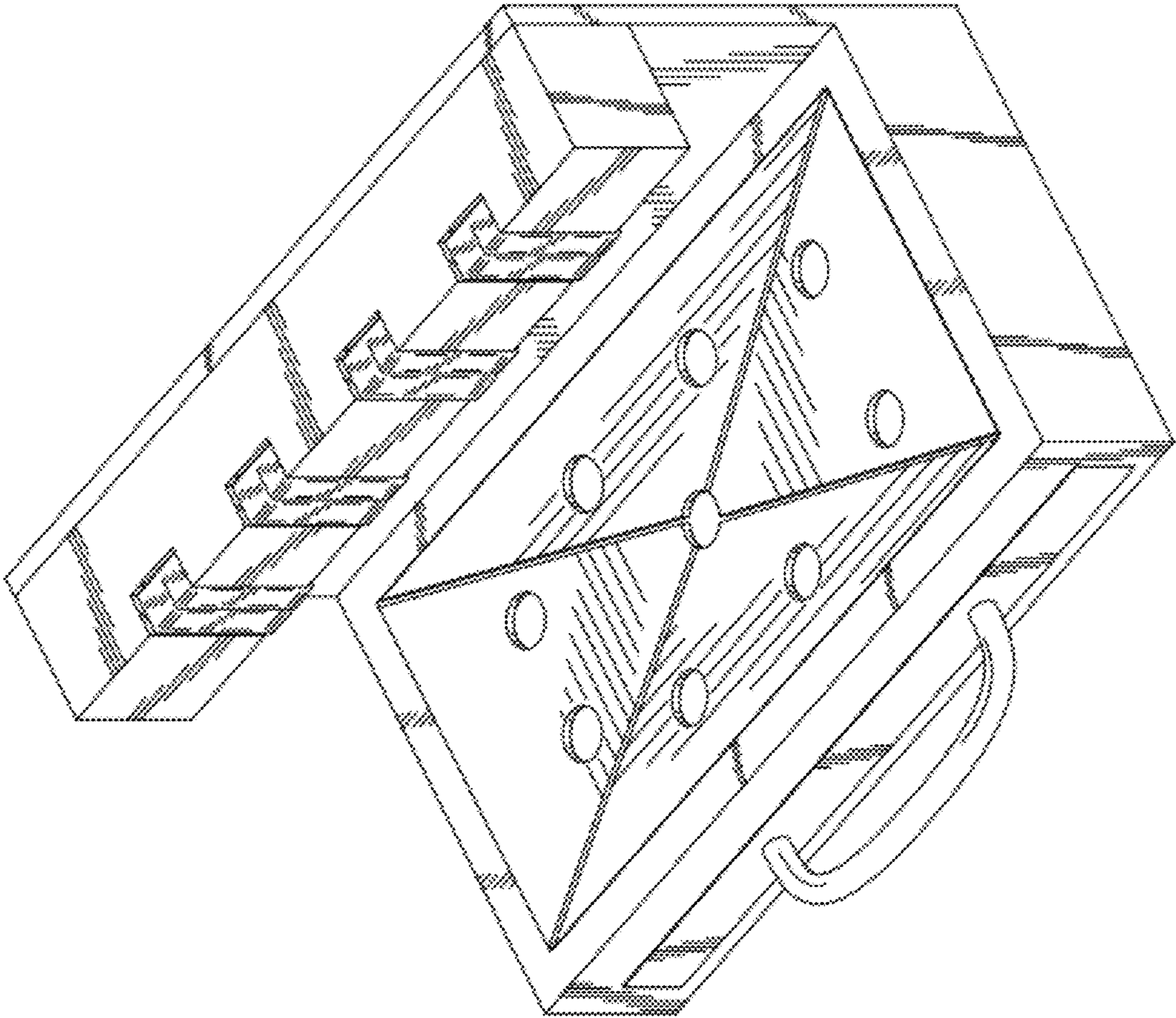


Fig. 1

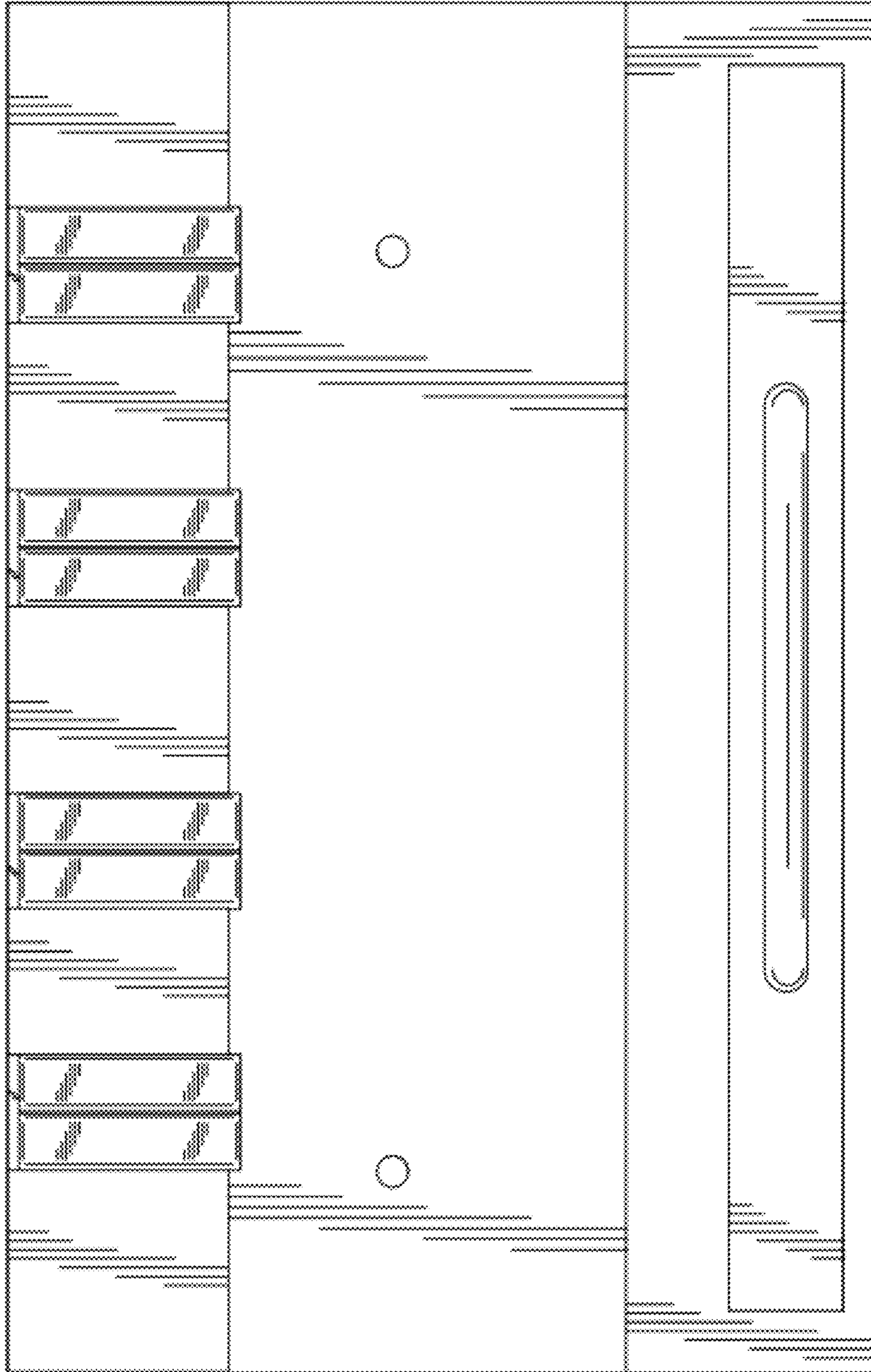


Fig. 2

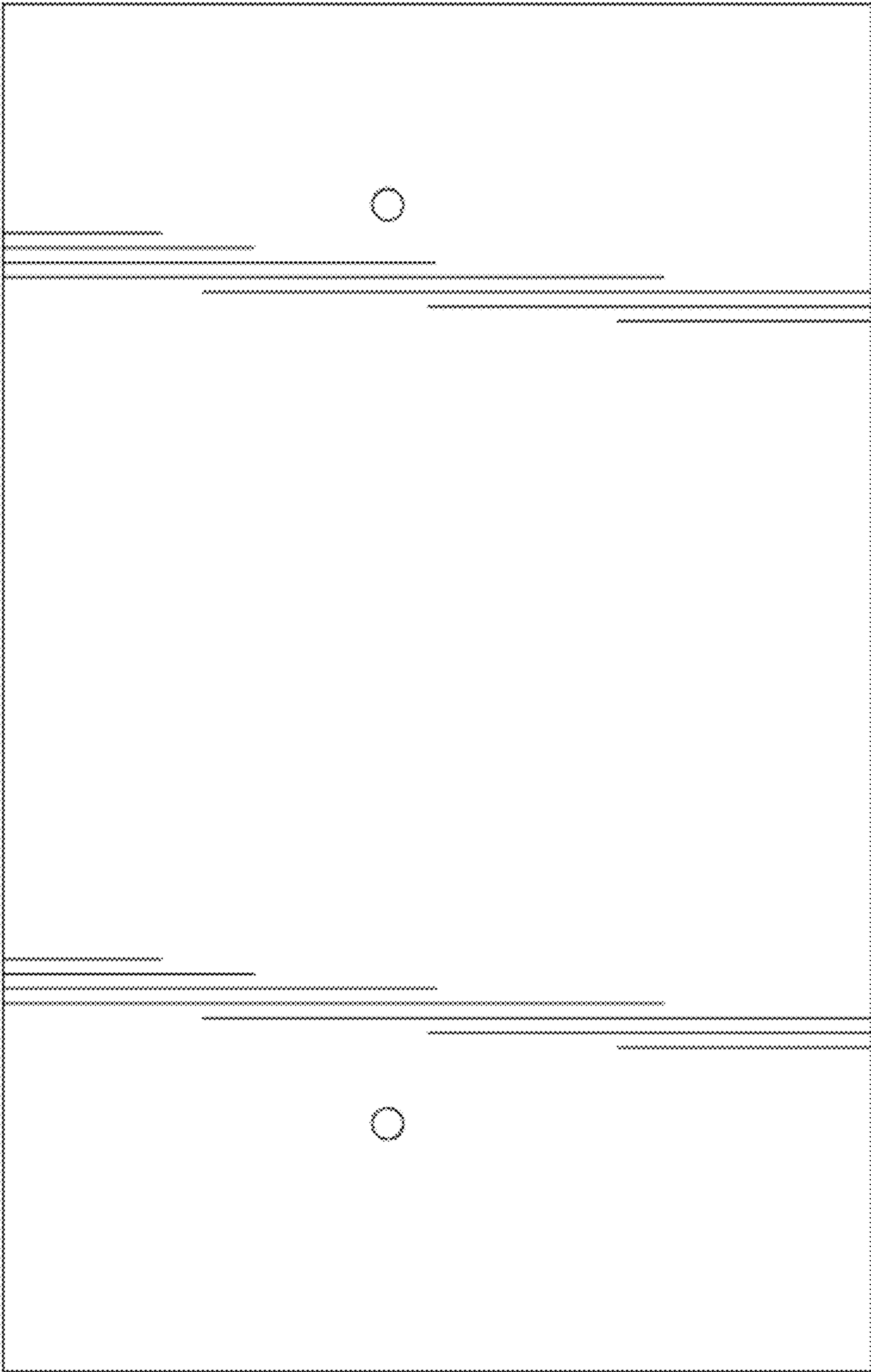


Fig. 3

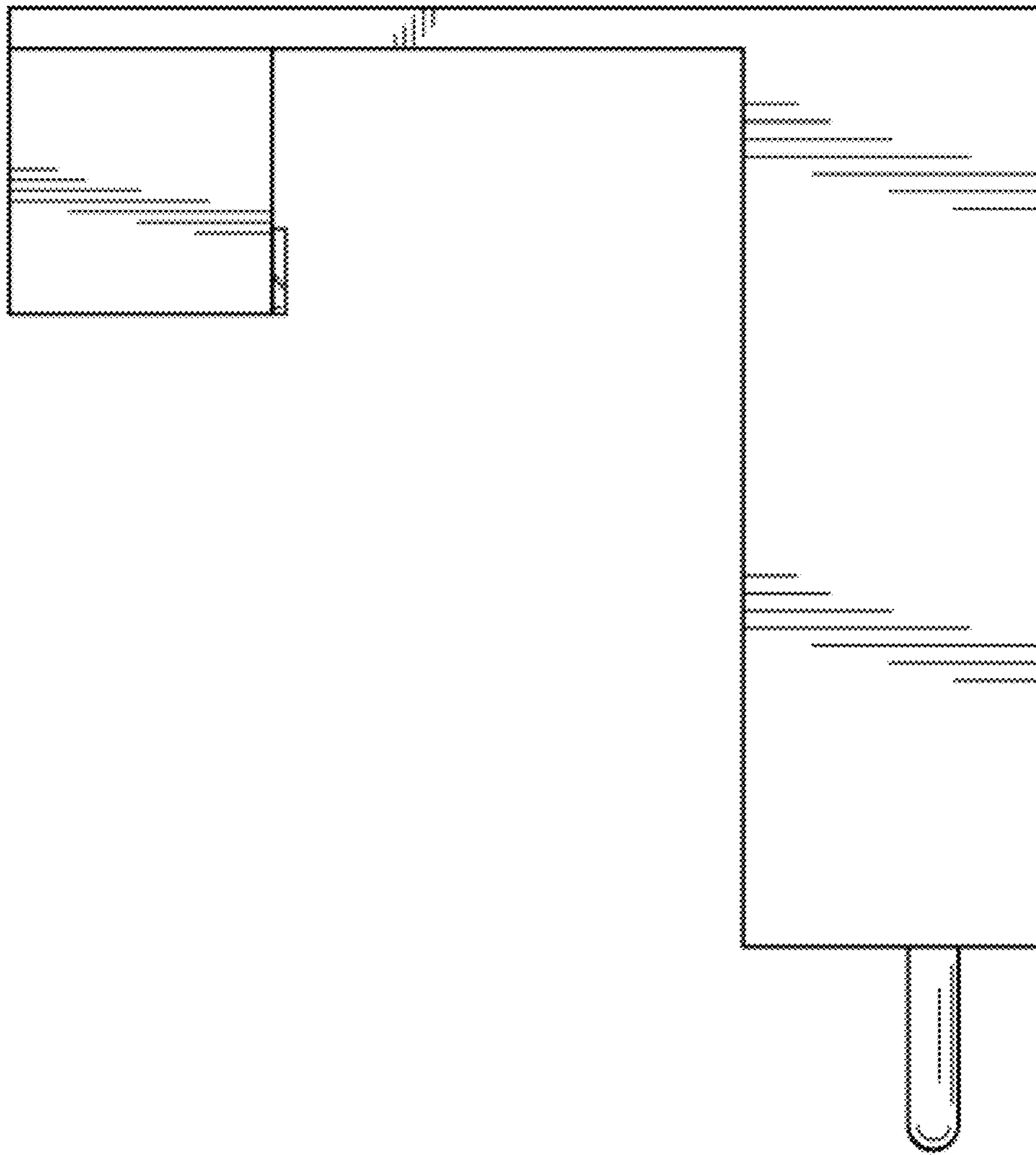


Fig. 4

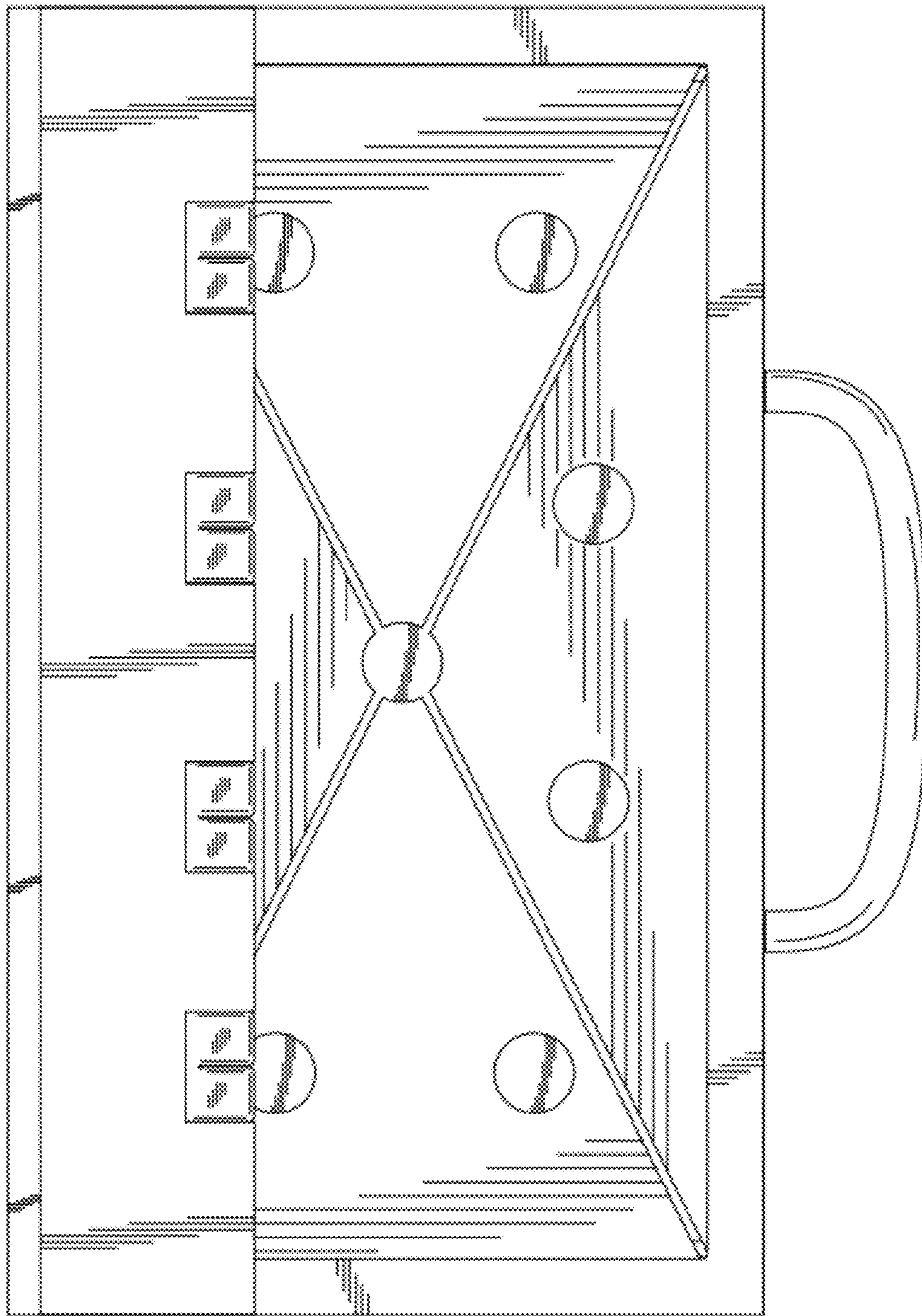


Fig. 5

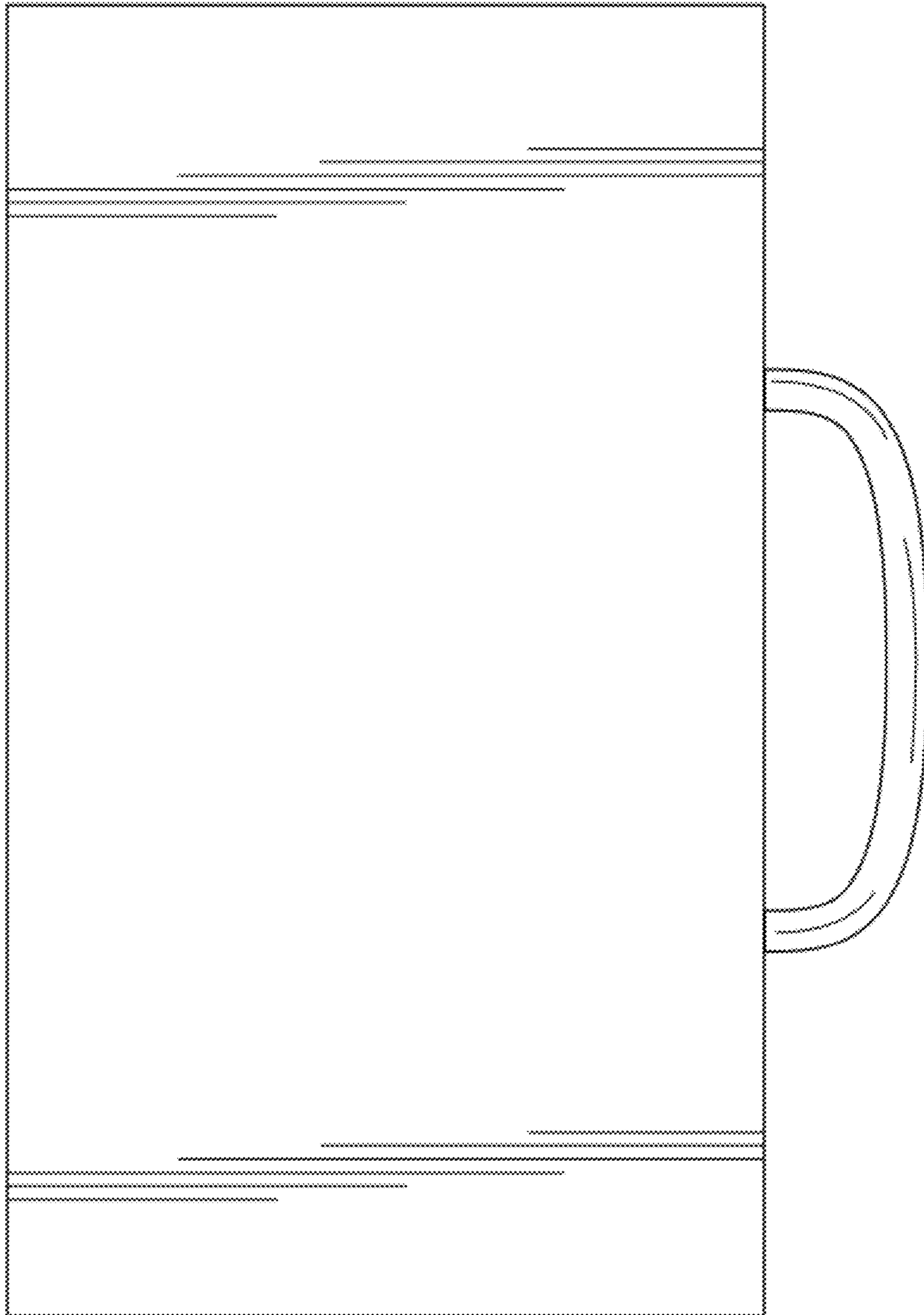


Fig. 6

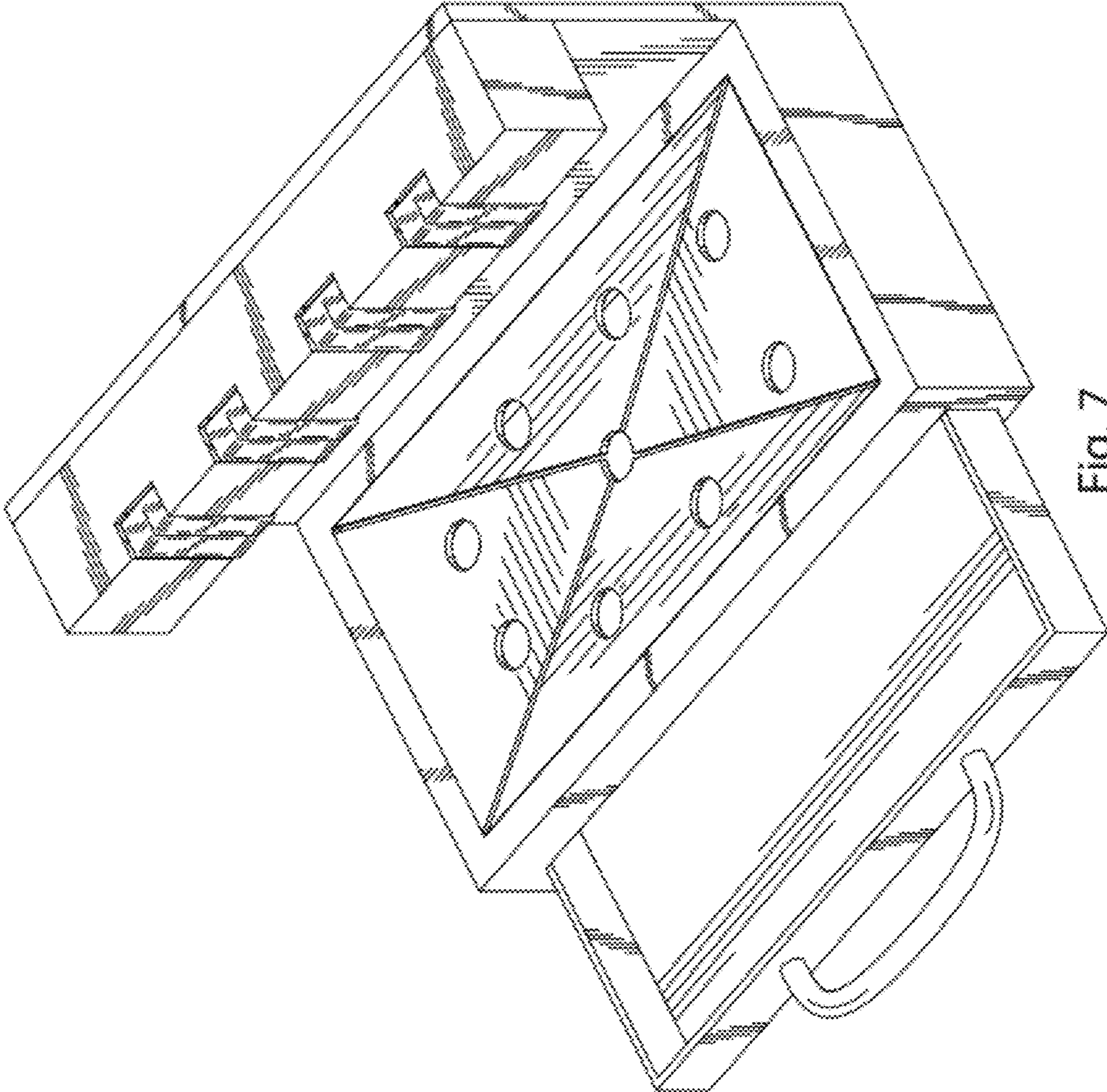


Fig. 7