

US00D670114S

(12) **United States Design Patent**
Morrison et al.

(10) **Patent No.:** **US D670,114 S**
(45) **Date of Patent:** **** Nov. 6, 2012**

- (54) **COMBINATION DISPENSER AND ADVERTISING DISPLAY**
- (75) Inventors: **Brian Morrison**, Miami, FL (US);
Myles Christensen, Orem, UT (US)
- (73) Assignee: **Terraboost Media, LLC**, Miami, FL (US)
- (**) Term: **14 Years**
- (21) Appl. No.: **29/409,686**
- (22) Filed: **Dec. 28, 2011**
- (51) **LOC (9) Cl.** **20-02**
- (52) **U.S. Cl.** **D6/515**
- (58) **Field of Classification Search** D6/515-523;
206/389, 391; 211/13.1, 16, 44, 49.1, 50,
211/59.2, 86.01; 222/173, 181.1; 221/282,
221/283; 312/34, 34.8, 34.22, 309.1
See application file for complete search history.

6,691,897	B2	2/2004	Ashe	
6,783,028	B1	8/2004	Ambrose et al.	
6,866,166	B2	3/2005	Mehes et al.	
7,131,468	B2	11/2006	Schuman et al.	
D572,955	S *	7/2008	Barcena Zafra D6/515
D578,328	S *	10/2008	Plum et al. D6/515
D586,598	S *	2/2009	Tefel et al. D6/515
D594,260	S *	6/2009	Pattberg D6/545
D604,973	S *	12/2009	Morrison et al. D6/515
D604,974	S *	12/2009	Morrison et al. D6/515
2006/0155600	A1	7/2006	Mays	
2007/0023455	A1	2/2007	Krengel et al.	
2007/0137726	A1	6/2007	Yan	
2008/0021779	A1	1/2008	Lynn et al.	

* cited by examiner

Primary Examiner — Brian N Vinson
(74) *Attorney, Agent, or Firm* — GrayRobinson, PA

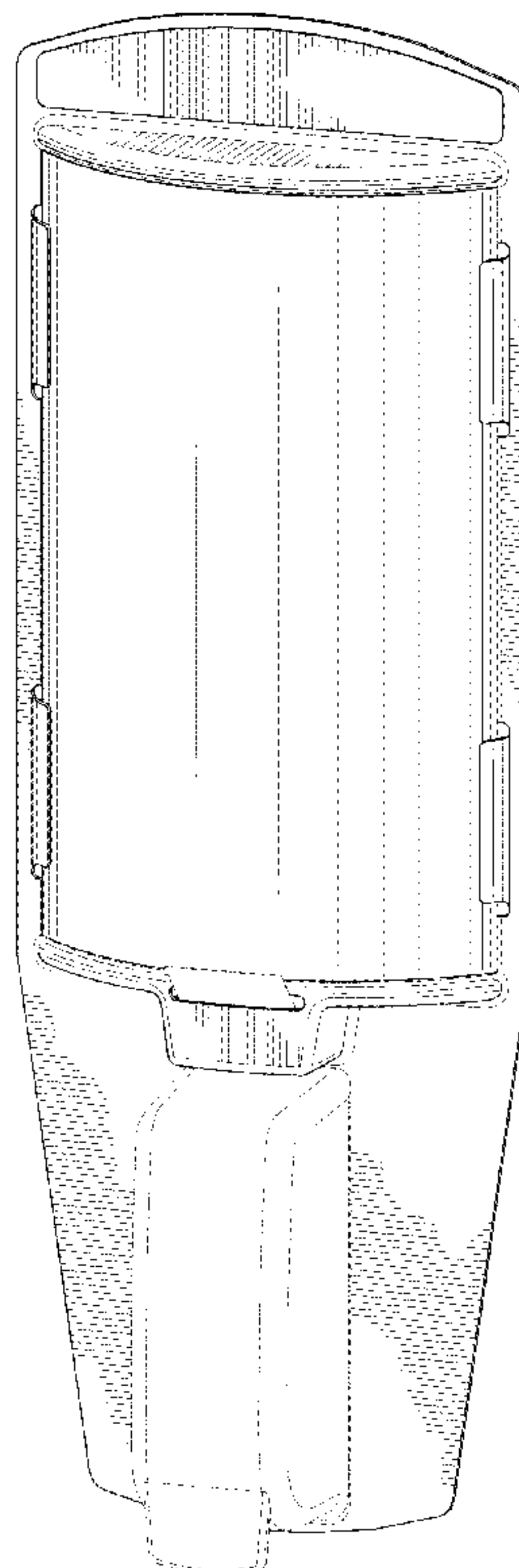
(57) **CLAIM**
The ornamental design of a combination dispenser and advertising display, as shown and described.

DESCRIPTION

FIG. 1 is a perspective view thereof;
FIG. 2 is a front elevational view thereof;
FIG. 3 is a rear elevational view;
FIG. 4 is a right side elevational view;
FIG. 5 is a left side elevational view;
FIG. 6 is a top plan view; and,
FIG. 7 is a bottom plan view.
The broken lines form no part of the claimed design.

1 Claim, 5 Drawing Sheets

- (56) **References Cited**
- U.S. PATENT DOCUMENTS
- D330,983 S * 11/1992 De Moss D6/515
- D372,613 S * 8/1996 Nixon, II D6/545
- D388,991 S * 1/1998 Thomas et al. D6/545
- 5,717,374 A 2/1998 Smith
- 5,810,201 A 9/1998 Besse et al.
- 5,865,340 A 2/1999 Alvern
- D419,804 S * 2/2000 Reitman D6/517
- D431,931 S * 10/2000 Sicignano, III D6/396
- D463,928 S * 10/2002 Kauzlarich et al. D6/515



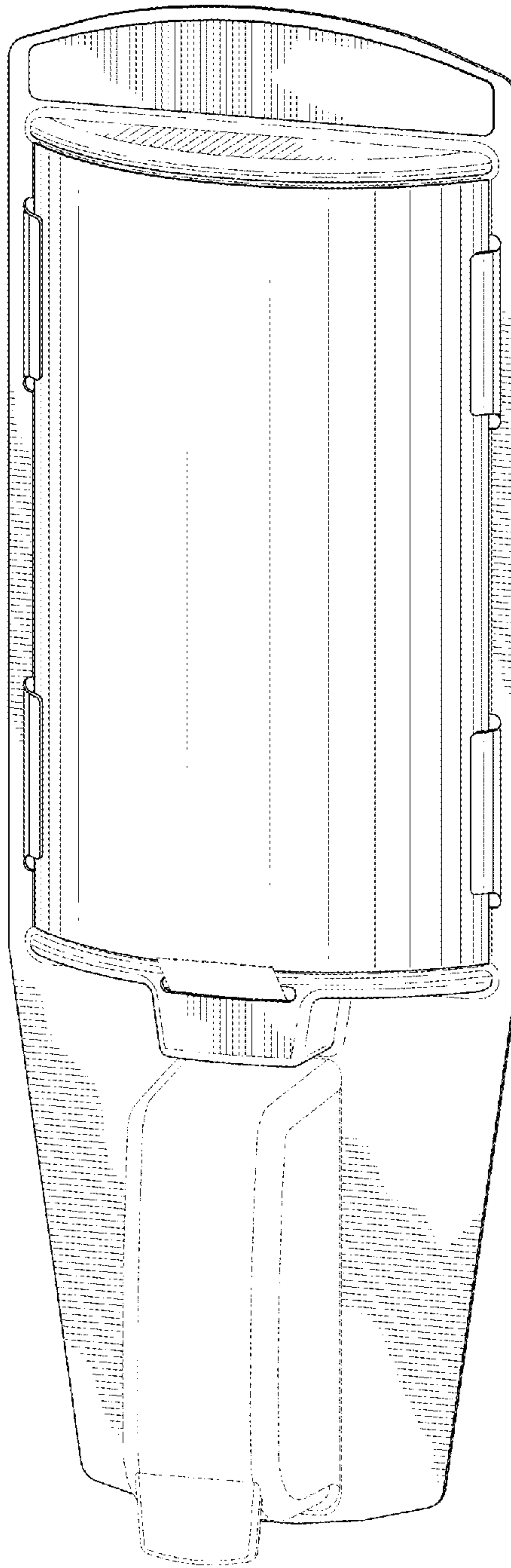


FIG. 1

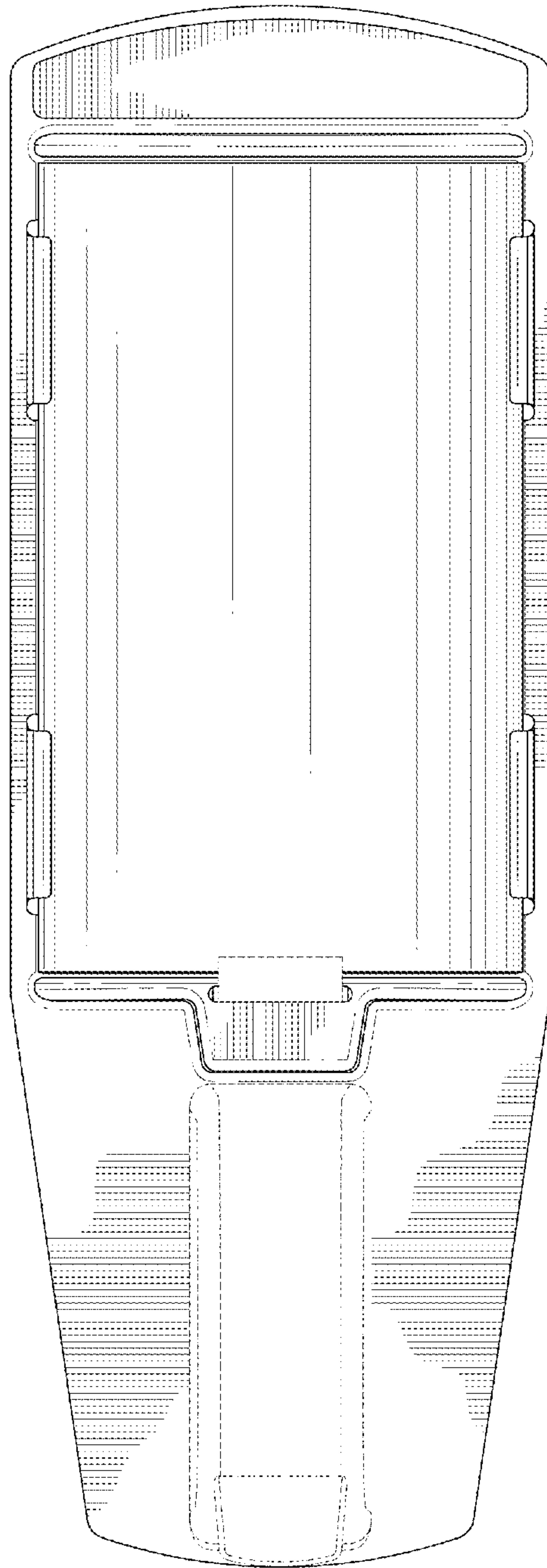


FIG.2

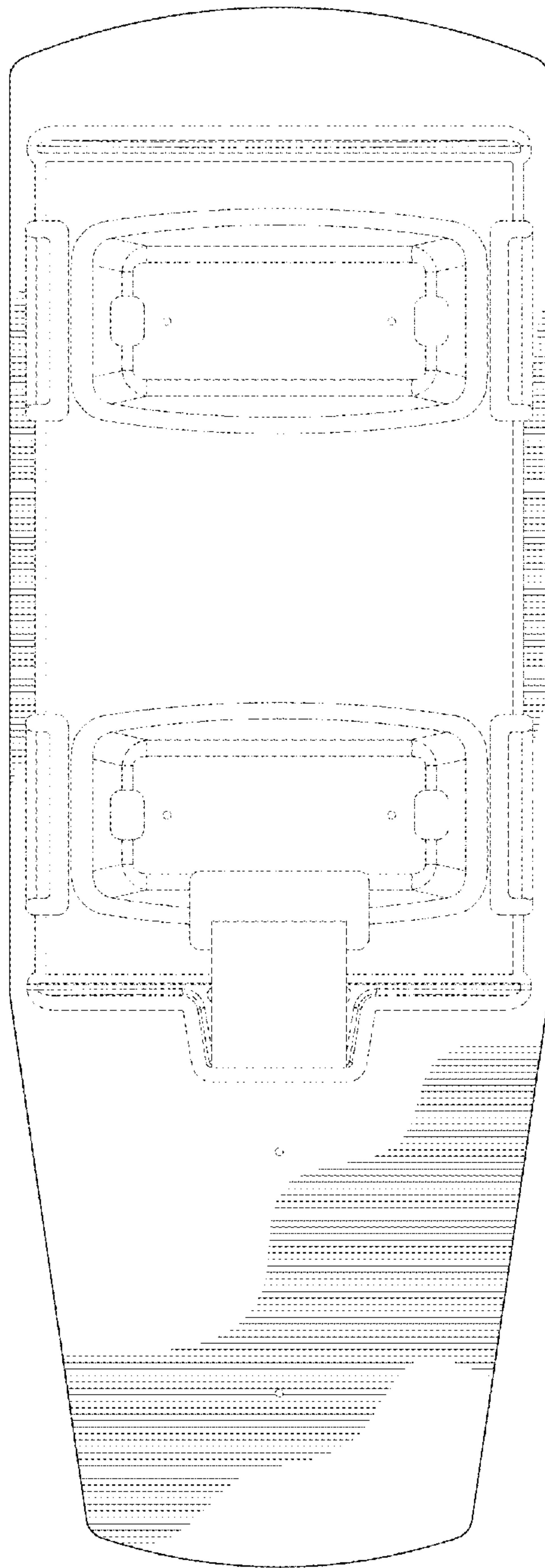


FIG.3

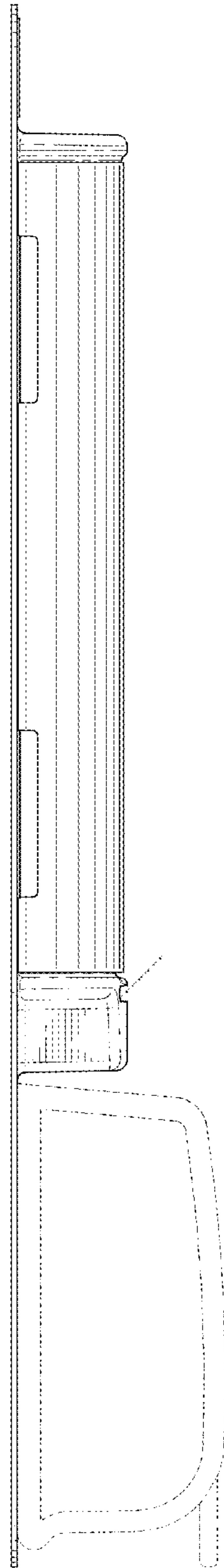


FIG. 4

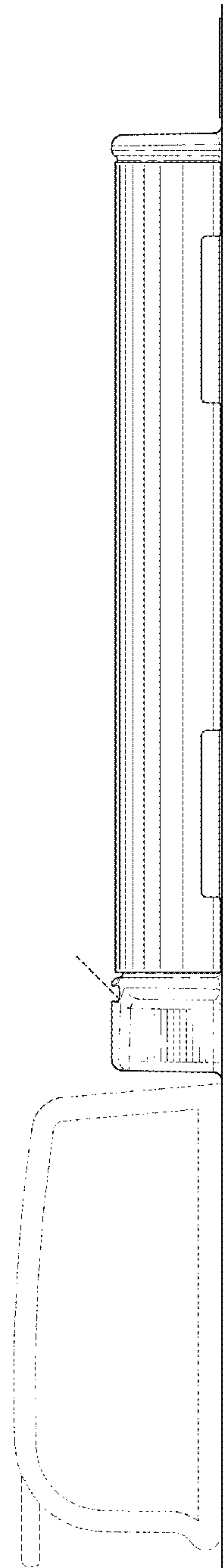


FIG. 5

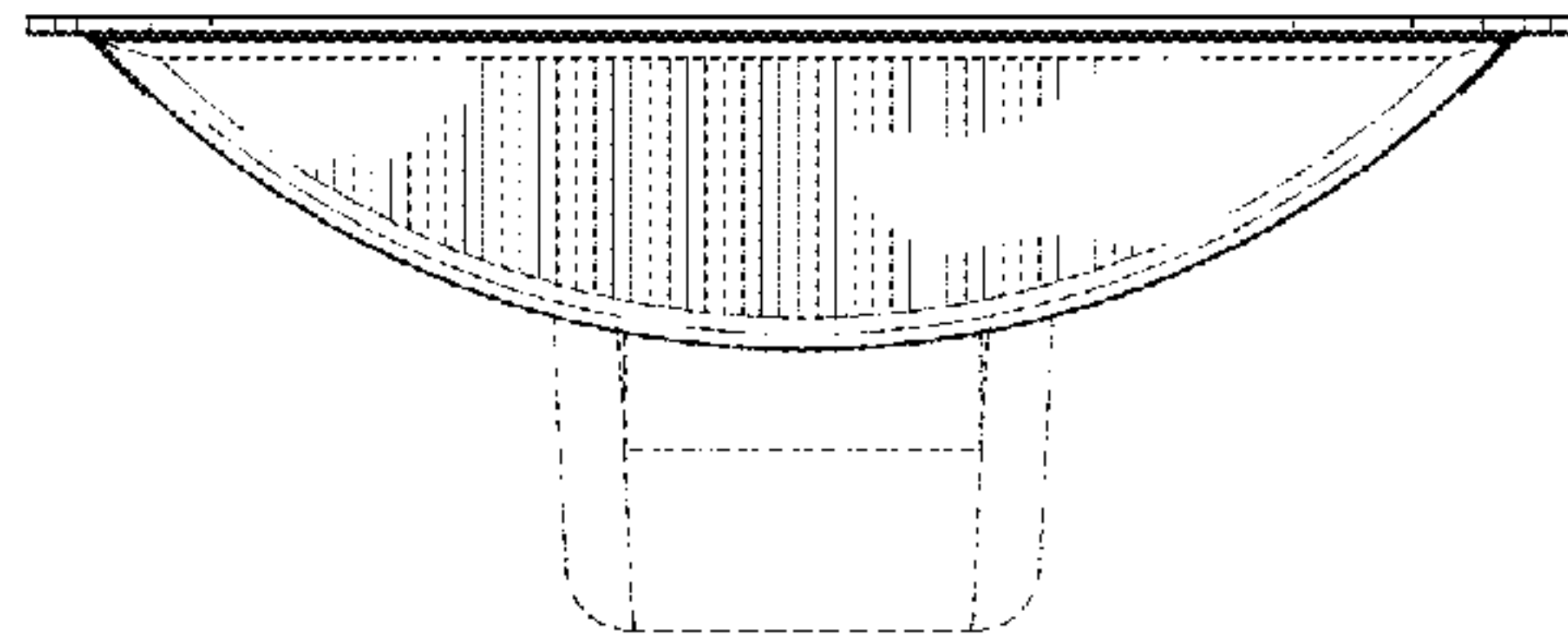


FIG. 6

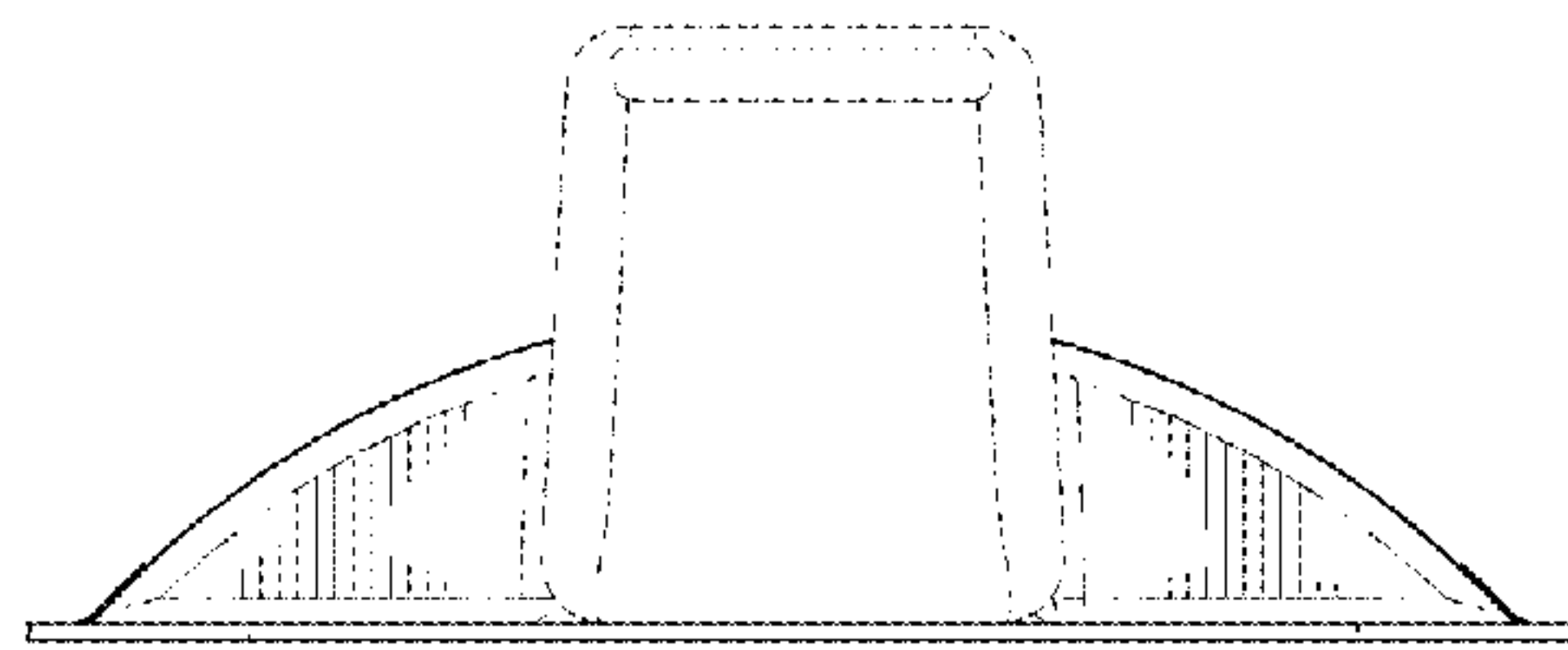


FIG. 7