



US00D670113S

(12) **United States Design Patent**
Morrison

(10) **Patent No.:** **US D670,113 S**

(45) **Date of Patent:** **** Nov. 6, 2012**

(54) **COMBINATION DISPENSER AND ADVERTISING DISPLAY**

(75) Inventor: **Brian Morrison**, Miami, FL (US)

(73) Assignee: **Terraboost Media, LLC**, Miami, FL (US)

(**) Term: **14 Years**

(21) Appl. No.: **29/403,662**

(22) Filed: **Oct. 10, 2011**

(51) **LOC (9) Cl.** **20-02**

(52) **U.S. Cl.** **D6/515**

(58) **Field of Classification Search** D6/515-523;
206/389, 391; 211/13.1, 16, 44, 49.1, 50,
211/59.2, 86.01; 222/173, 181.1; 221/282,
221/283; 312/34, 34.8, 34.22, 309.1
See application file for complete search history.

6,866,166 B2 3/2005 Mehes et al.
7,131,468 B2 11/2006 Schuman et al.
D572,955 S * 7/2008 Barcena Zafra D6/515
D578,328 S * 10/2008 Plum et al. D6/515
D586,598 S * 2/2009 Tefel et al. D6/515
D594,260 S * 6/2009 Pattberg D6/545
D604,973 S * 12/2009 Morrison et al. D6/515
D604,974 S * 12/2009 Morrison et al. D6/515
2006/0155600 A1 7/2006 Mays
2007/0023455 A1 2/2007 Krengel et al.
2007/0137726 A1 6/2007 Yan
2008/0021779 A1 1/2008 Lynn et al.

* cited by examiner

Primary Examiner — Brian N Vinson

(74) *Attorney, Agent, or Firm* — GrayRobinson, PA

(57) **CLAIM**
The ornamental design of a combination dispenser and advertising display, as shown and described.

(56) **References Cited**

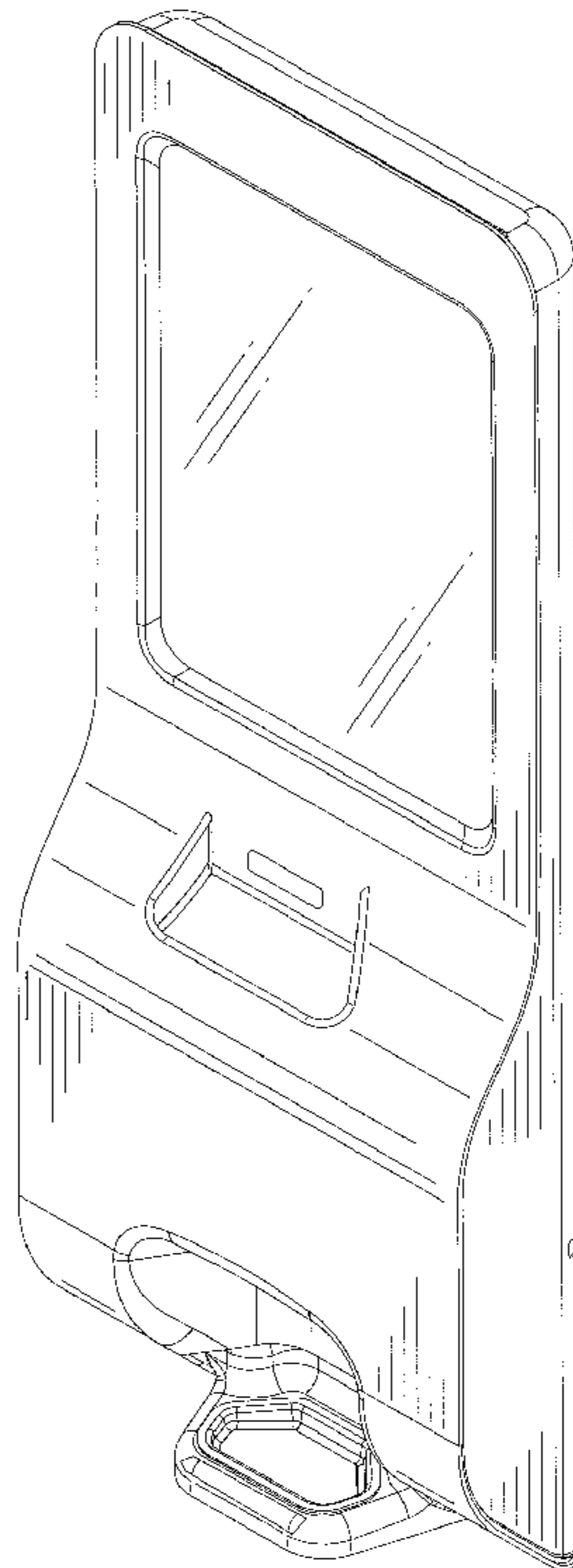
U.S. PATENT DOCUMENTS

D330,983 S * 11/1992 De Moss D6/515
D372,613 S * 8/1996 Nixon, II D6/545
D388,991 S * 1/1998 Thomas et al. D6/545
5,717,374 A 2/1998 Smith
5,810,201 A 9/1998 Besse et al.
5,865,340 A 2/1999 Alvern
D419,804 S * 2/2000 Reitman D6/517
D431,931 S * 10/2000 Sicignano, III D6/396
D463,928 S * 10/2002 Kauzlarich et al. D6/515
6,691,897 B2 2/2004 Ashe
6,783,028 B1 8/2004 Ambrose et al.

DESCRIPTION

FIG. 1 is a front perspective view thereof;
FIG. 2 is a rear perspective view thereof;
FIG. 3 is a left side elevational view;
FIG. 4 is a front elevational view;
FIG. 5 is a right side elevational view;
FIG. 6 is a rear elevational view;
FIG. 7 is a top plan view; and,
FIG. 8 is a bottom view.

1 Claim, 4 Drawing Sheets



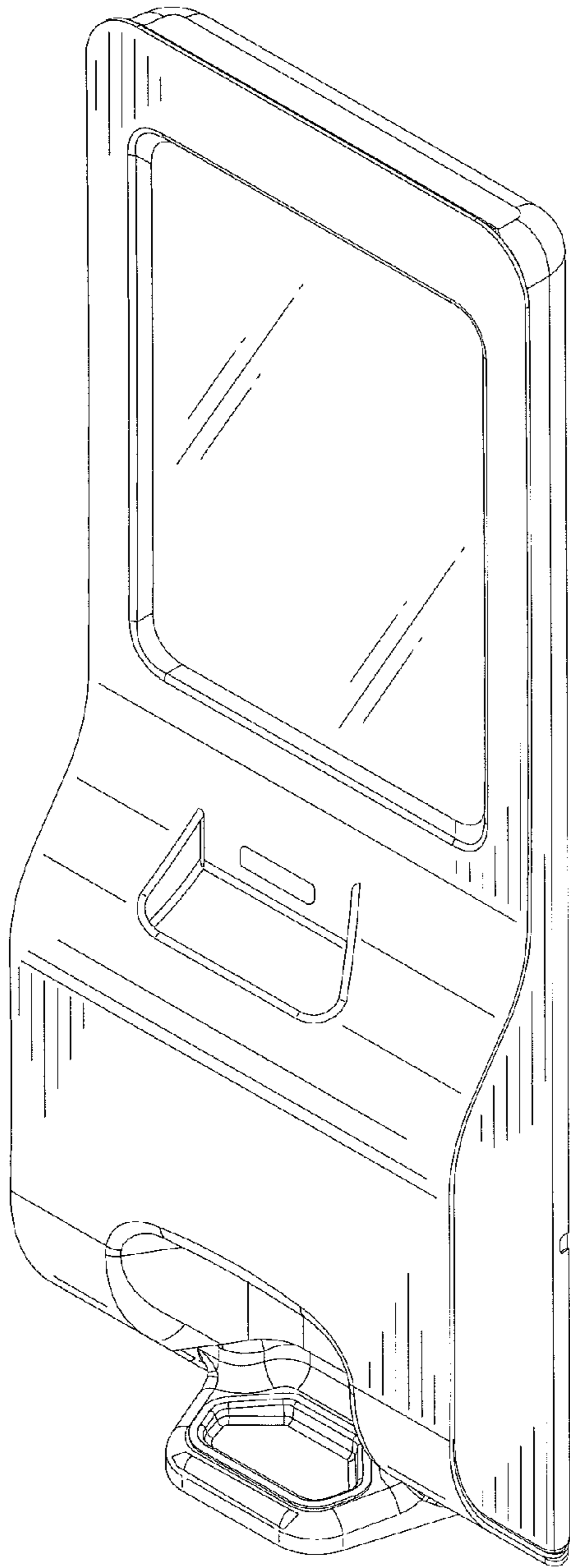


FIG. 1

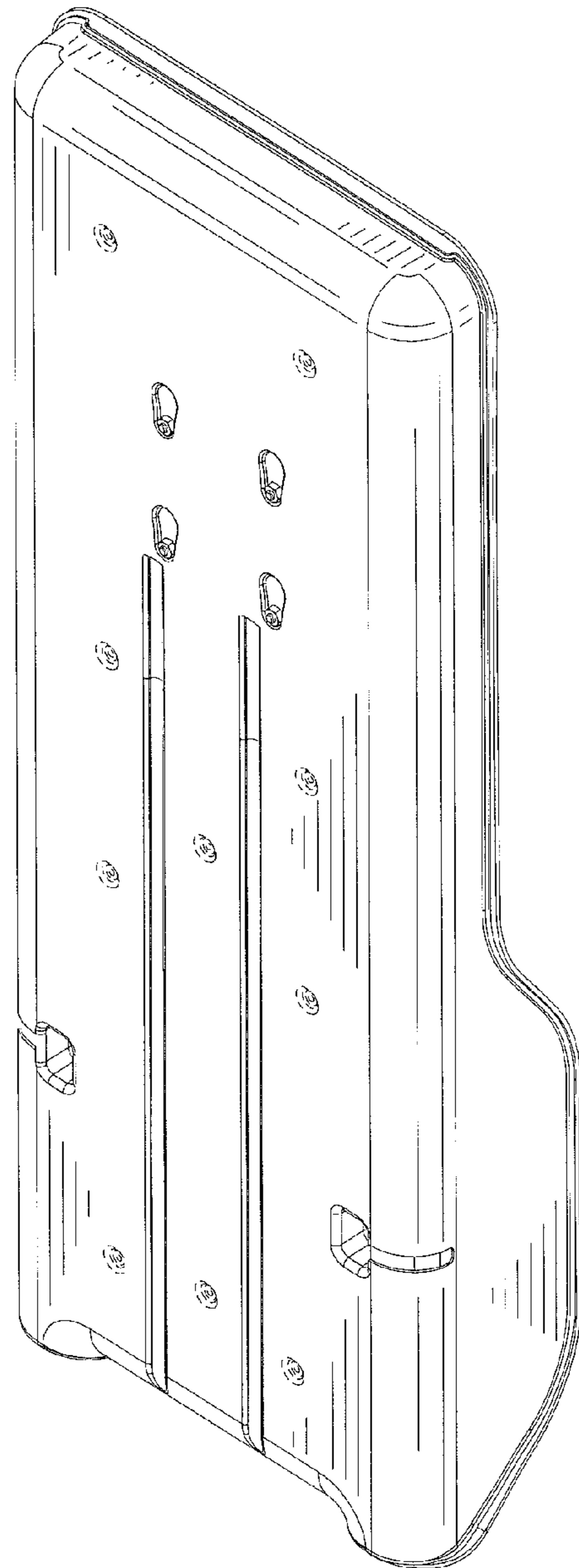


FIG. 2

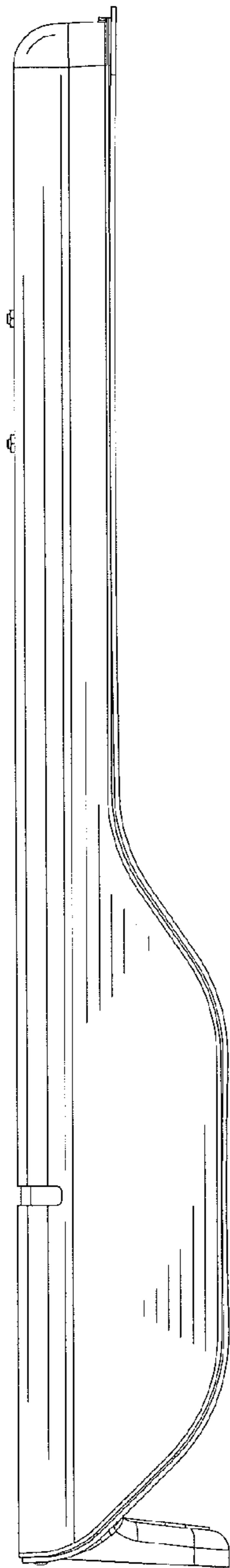


FIG. 3

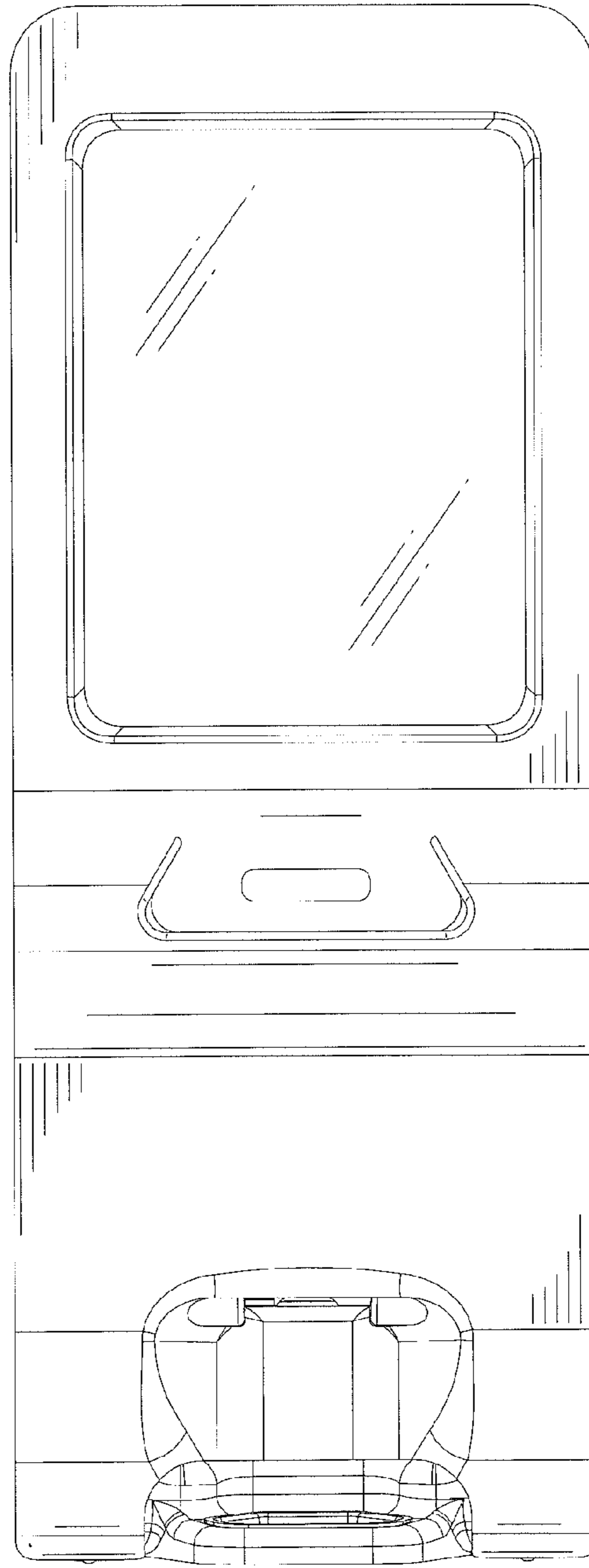


FIG. 4

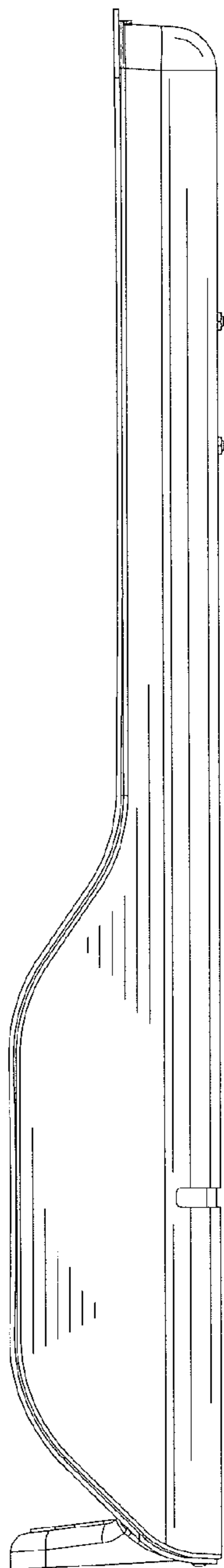


FIG. 5

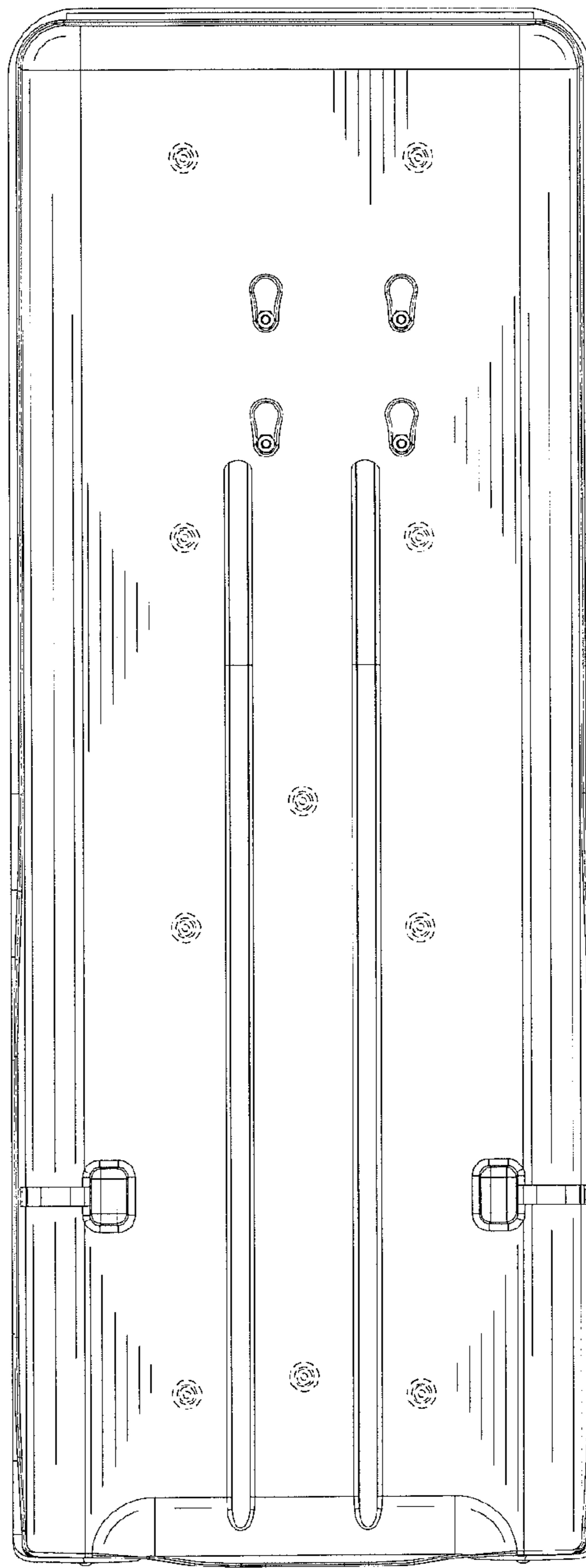


FIG. 6

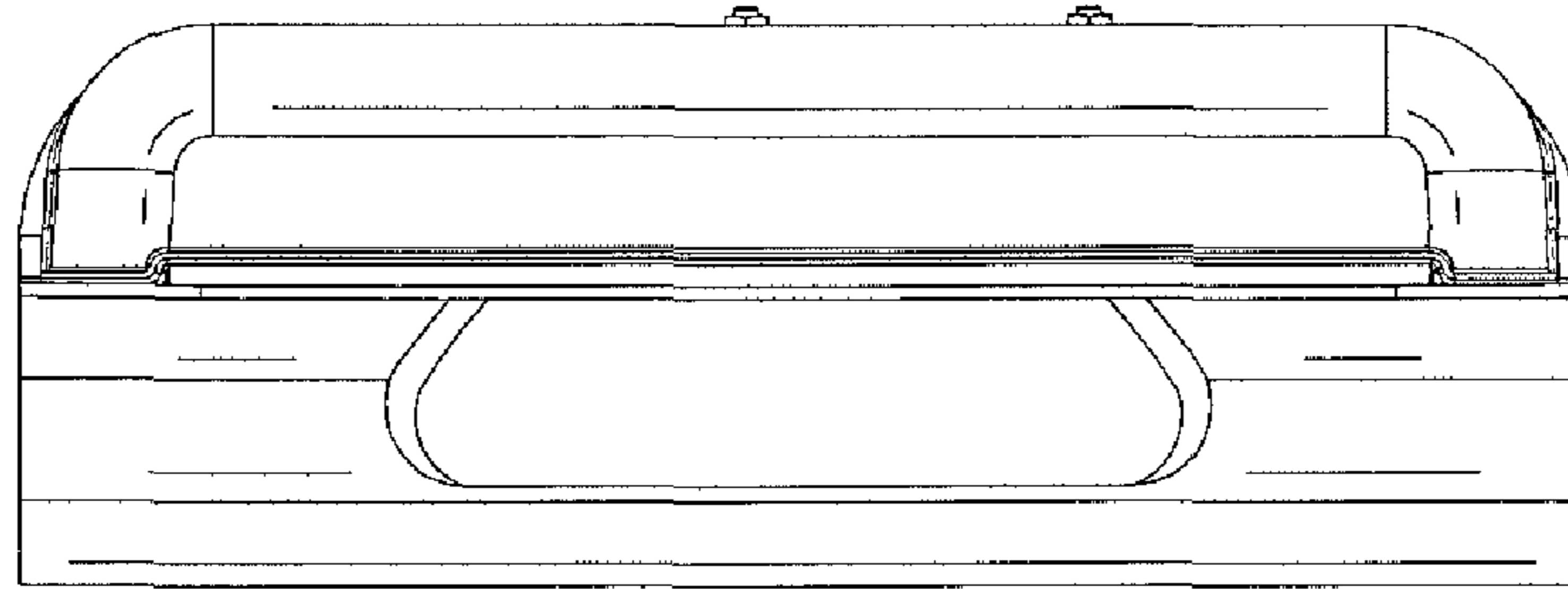


FIG. 7

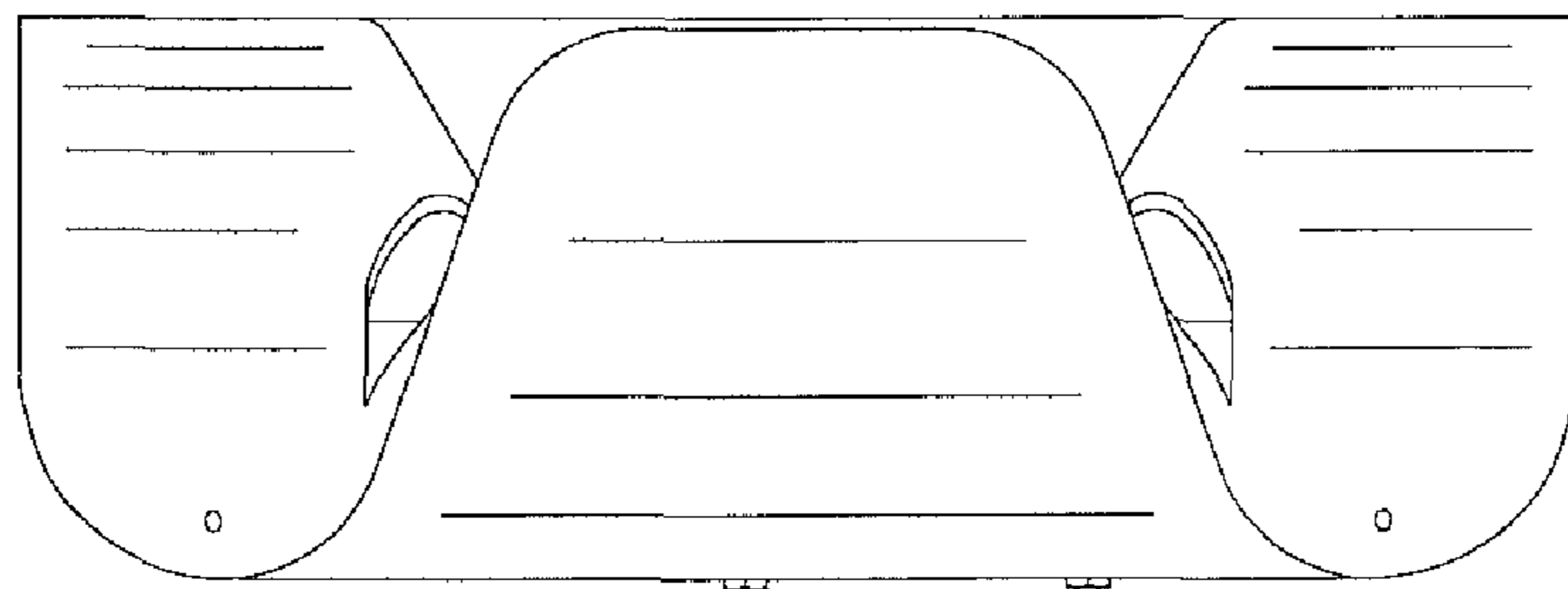


FIG. 8