



US00D670112S

(12) **United States Design Patent**
Malone

(10) **Patent No.:** **US D670,112 S**
(45) **Date of Patent:** **** Nov. 6, 2012**

(54) **PACKABLE HANGING SHELF SYSTEM AND TRAVEL ORGANIZER**

FOREIGN PATENT DOCUMENTS

GB 0714284.7 1/2009
NO PCTNO2006000338 10/2008

(76) Inventor: **Richard C. Malone**, Oakland Park, FL (US)

* cited by examiner

(**) Term: **14 Years**

Primary Examiner — Brian N Vinson
(74) *Attorney, Agent, or Firm* — Malin Haley DiMaggio; Bowen & Lhota P.A.; Mark Bowen

(21) Appl. No.: **29/422,442**

(22) Filed: **May 21, 2012**

Related U.S. Application Data

(63) Continuation-in-part of application No. 12/561,501, filed on Sep. 17, 2009.

(51) **LOC (9) Cl.** **06-06**

(52) **U.S. Cl.** **D6/514**

(58) **Field of Classification Search** D6/512-514;
D3/303, 305, 308, 310, 313, 316, 317, 319,
D3/902; 206/278, 286, 289, 9, 278.1, 298,
206/315.1, 579; 211/13.1, 85.3, 113; 190/1,
190/104, 106, 107, 110, 111, 115, 11, 13 R,
190/9; 220/666, 912, 9.1

See application file for complete search history.

(56) **References Cited**

U.S. PATENT DOCUMENTS

1,331,621	A	2/1920	Carlin	
1,540,024	A	6/1925	Larsen	
1,841,066	A	3/1932	Berg	
2,244,887	A	6/1941	Manley	
2,440,192	A	4/1948	Cowan	
2,517,757	A	8/1950	Adlerstein	
2,533,333	A	12/1950	Kitson	
2,639,819	A	5/1953	Marks	
2,645,547	A	7/1953	Channer	
2,907,420	A	10/1959	Doppelt	
4,108,084	A *	8/1978	Fink	D6/514
D382,747	S *	8/1997	Dickinson et al.	D6/514
6,732,659	B2	5/2004	Poon	
7,334,669	B2	2/2008	Barker	
D569,666	S *	5/2008	Gusdorf	D6/514
D583,152	S *	12/2008	Keeney	D3/319
D606,334	S *	12/2009	Clark et al.	D6/514
D636,199	S *	4/2011	Snider	D6/514

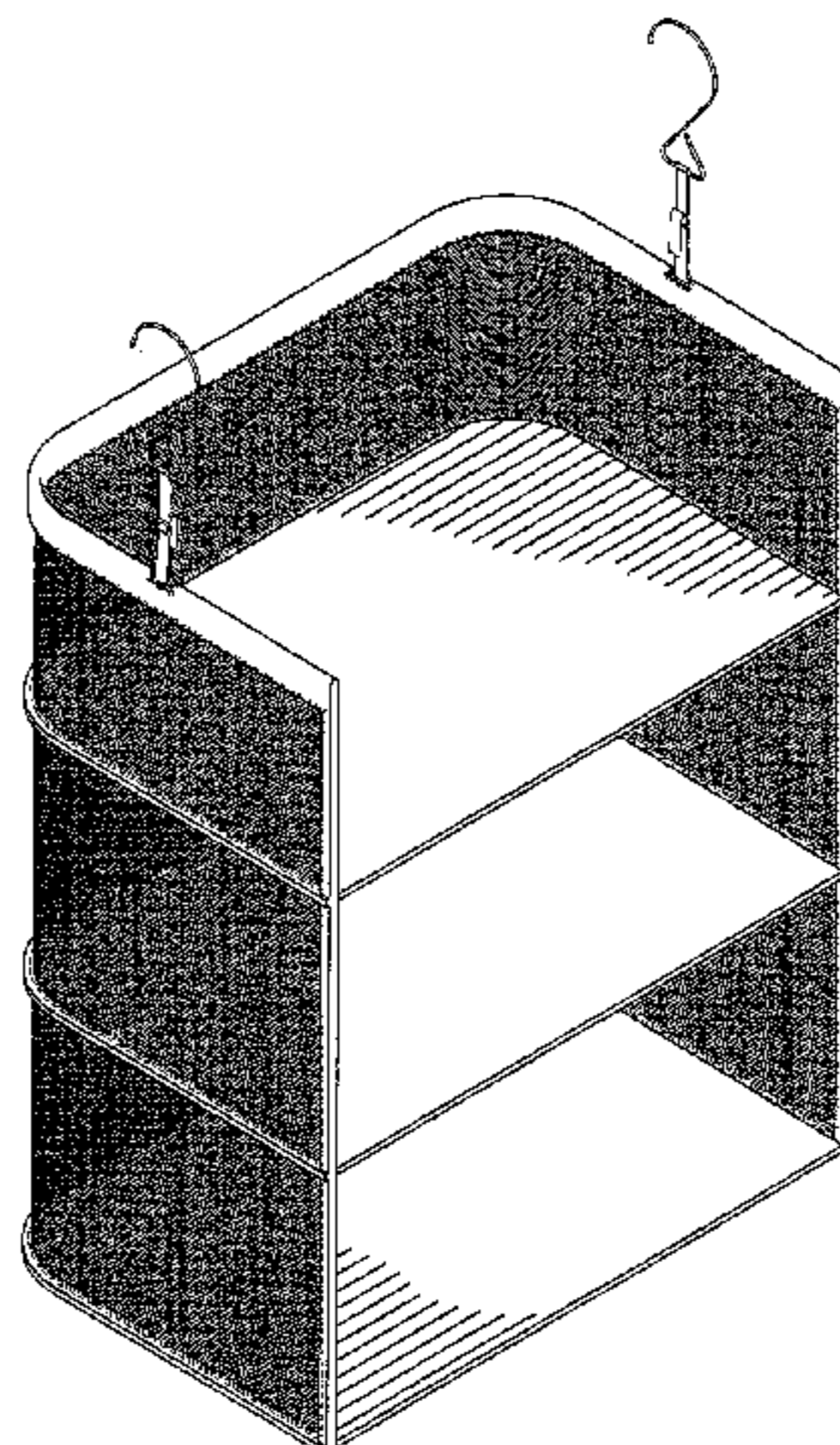
(57) **CLAIM**

The ornamental design for a packable hanging shelf system and travel organizer for luggage, as shown and described.

DESCRIPTION

FIG. 1 is a top front perspective view of a packable hanging shelf system and travel organizer in accordance with the present invention;
FIG. 2 is a bottom rear perspective view;
FIG. 3 is a front view;
FIG. 4 is a rear view;
FIG. 5 is a side view, the opposite side being a mirror image thereof;
FIG. 6 is a top view;
FIG. 7 is a bottom view;
FIG. 8 is a front perspective view illustration of the shelf system in relation to workpiece articles;
FIG. 9 is a top front perspective view of an alternate embodiment packable hanging shelf system and travel organizer in accordance with the present invention;
FIG. 10 is a bottom rear perspective view thereof;
FIG. 11 is a front view thereof;
FIG. 12 is a rear view thereof;
FIG. 13 is a left side view thereof;
FIG. 14 is a right side view thereof;
FIG. 15 is a top view thereof;
FIG. 16 is a bottom view thereof; and,
FIG. 17 is a front perspective view illustration of the shelf system in relation to workpiece articles.

1 Claim, 15 Drawing Sheets



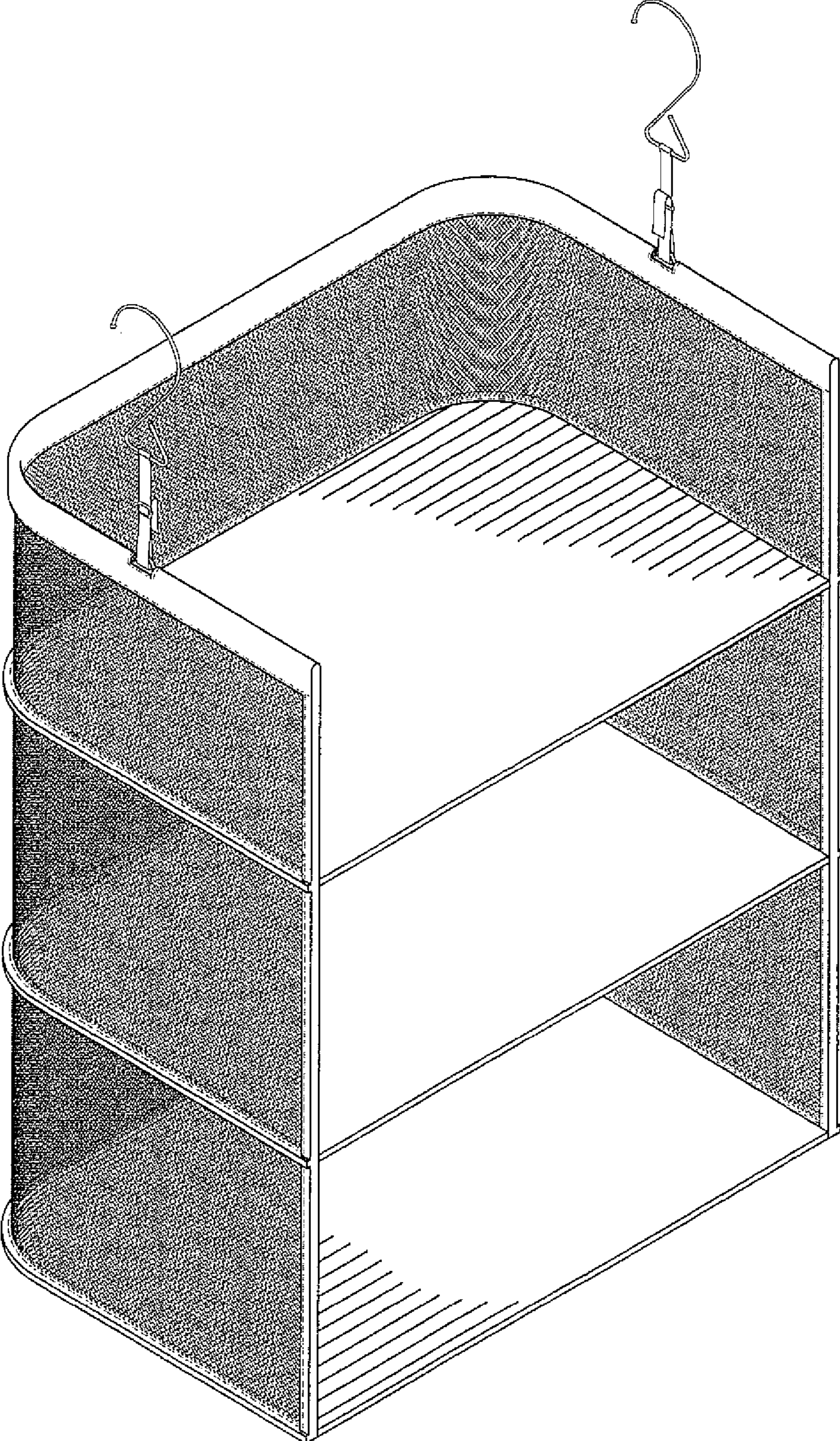


FIG. 1

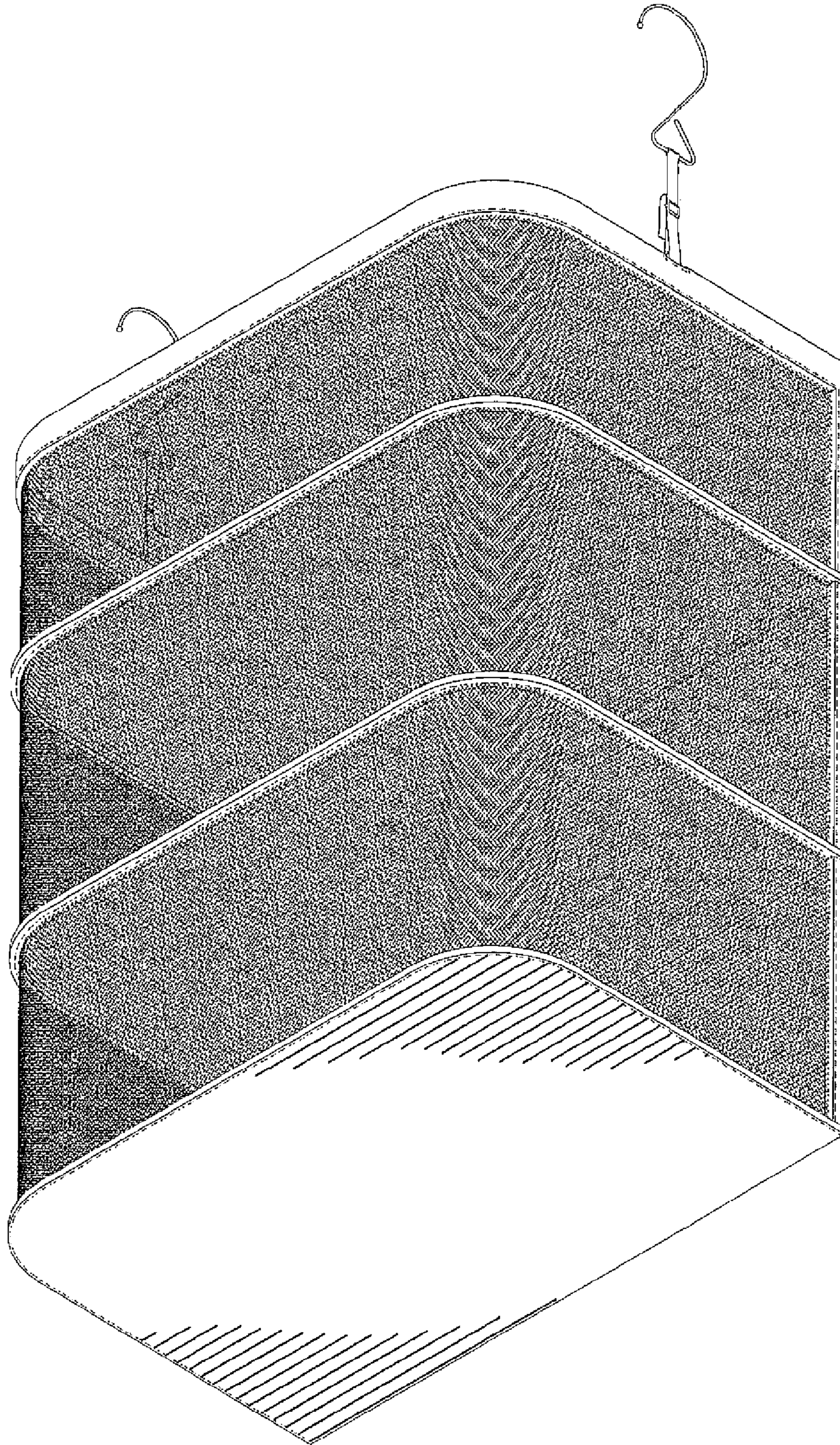


FIG. 2

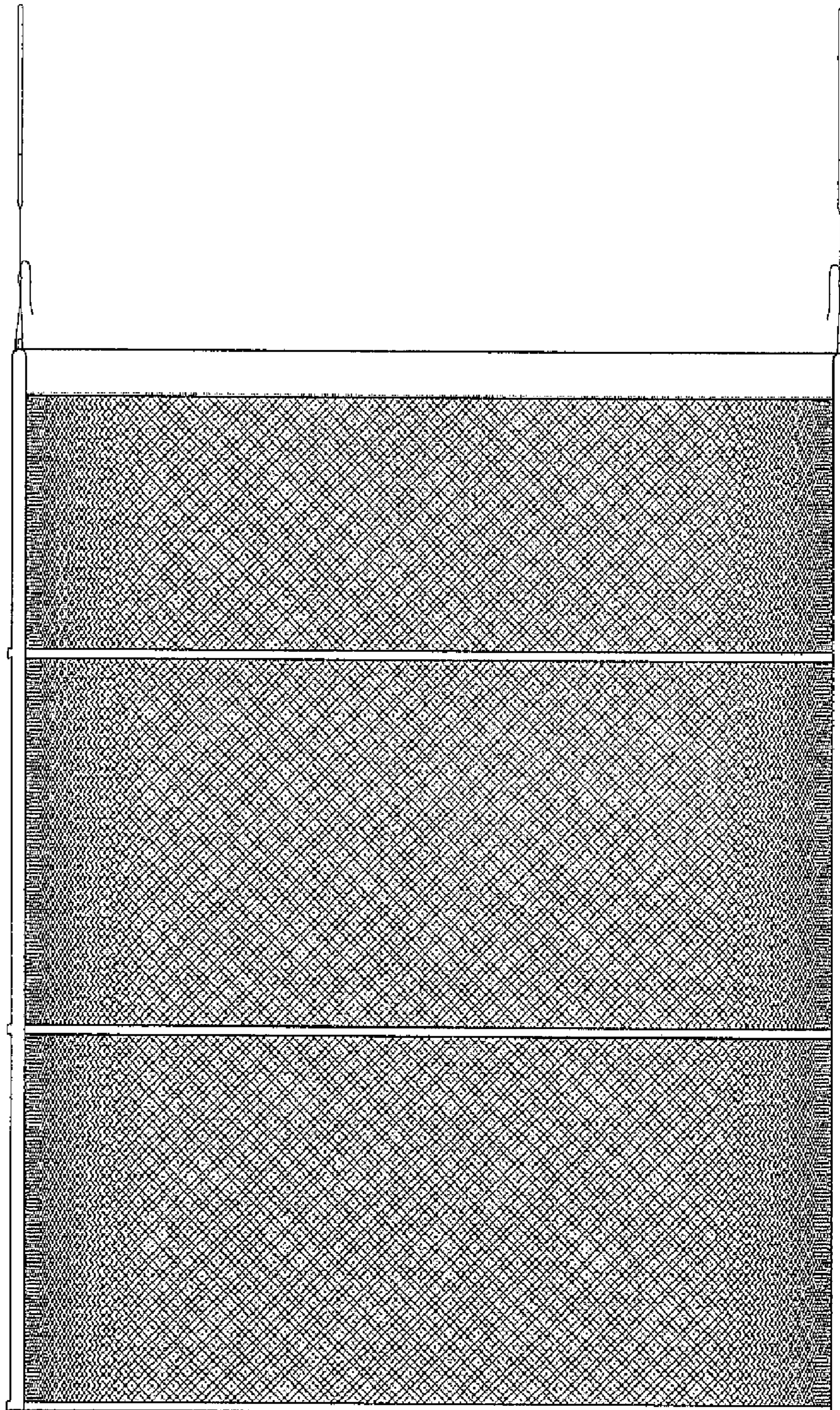


FIG. 3

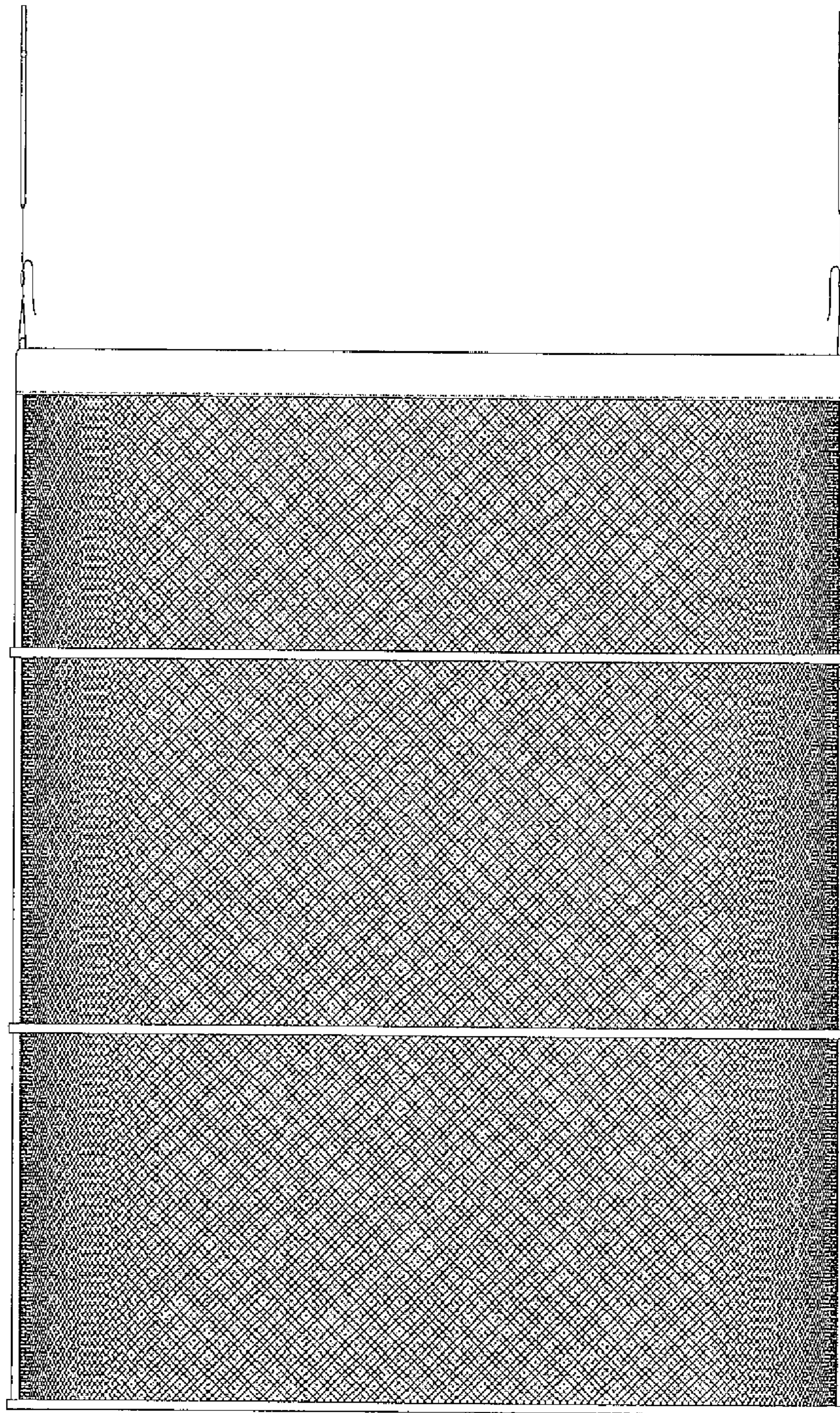


FIG. 4

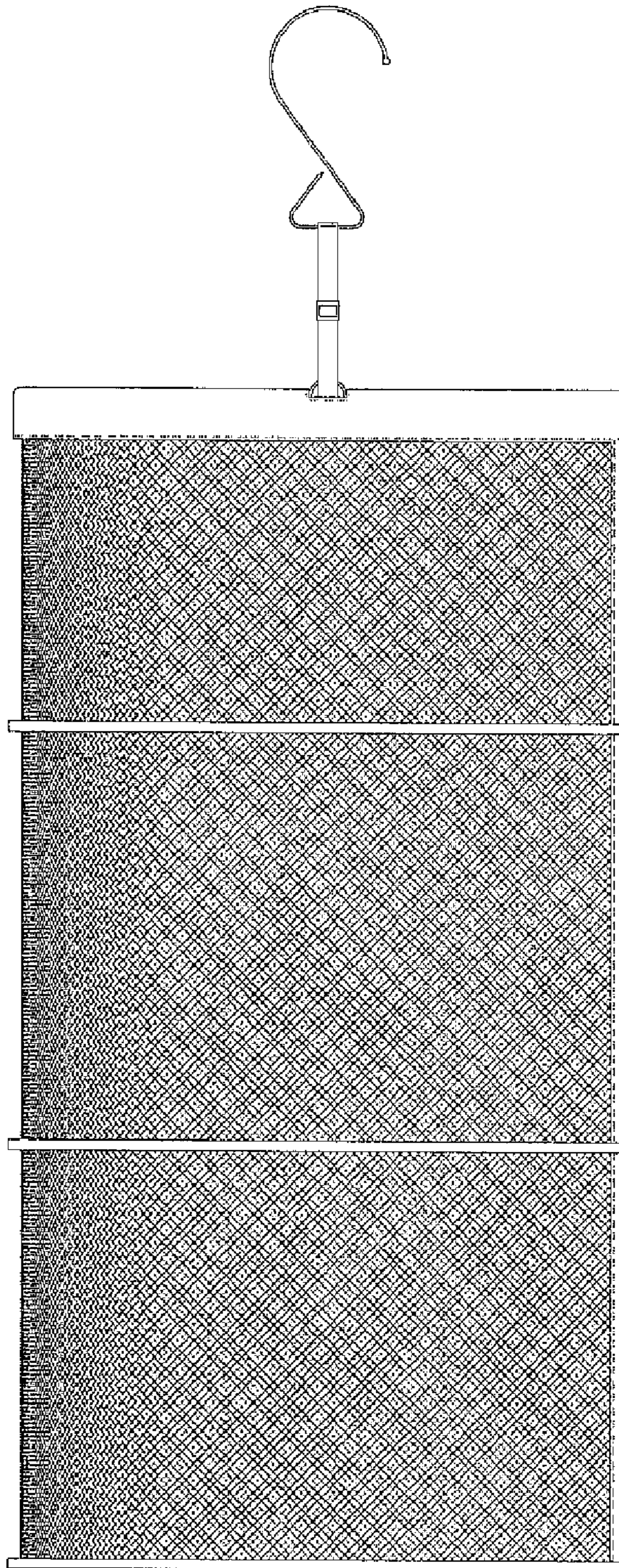


FIG. 5

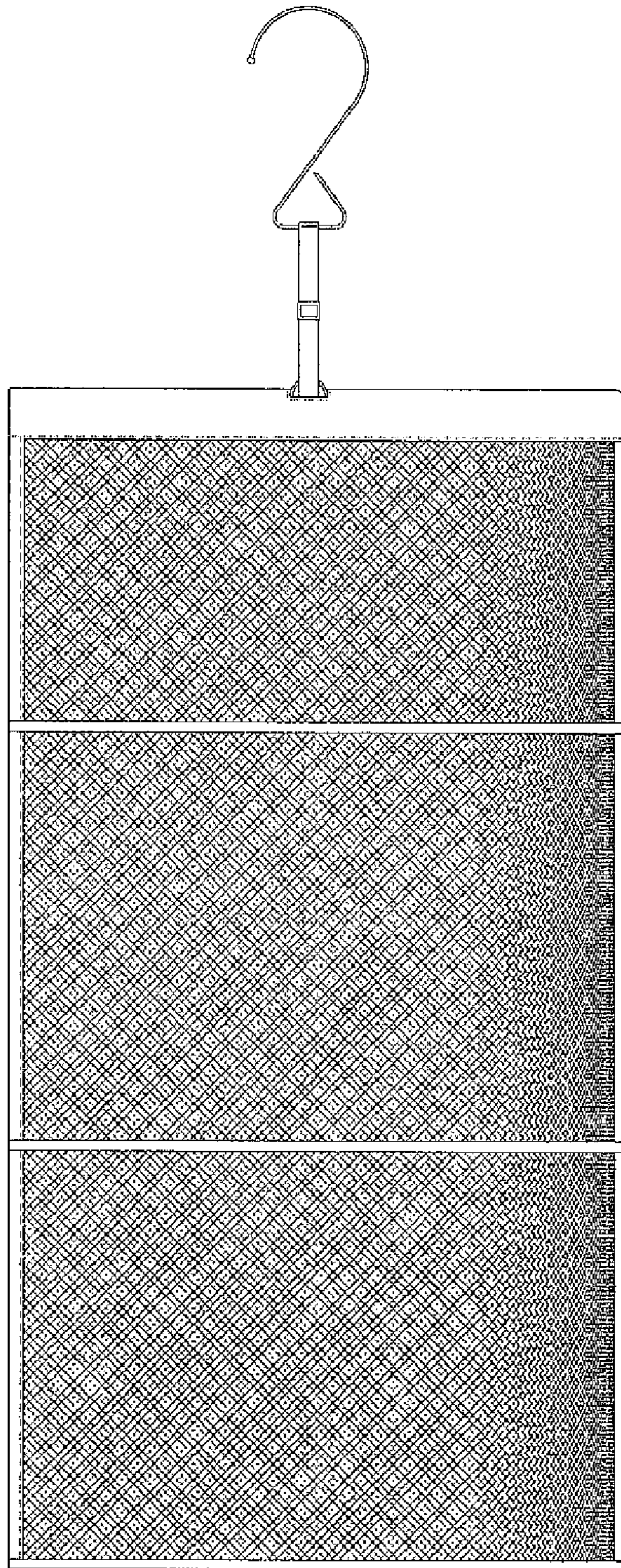


FIG. 6

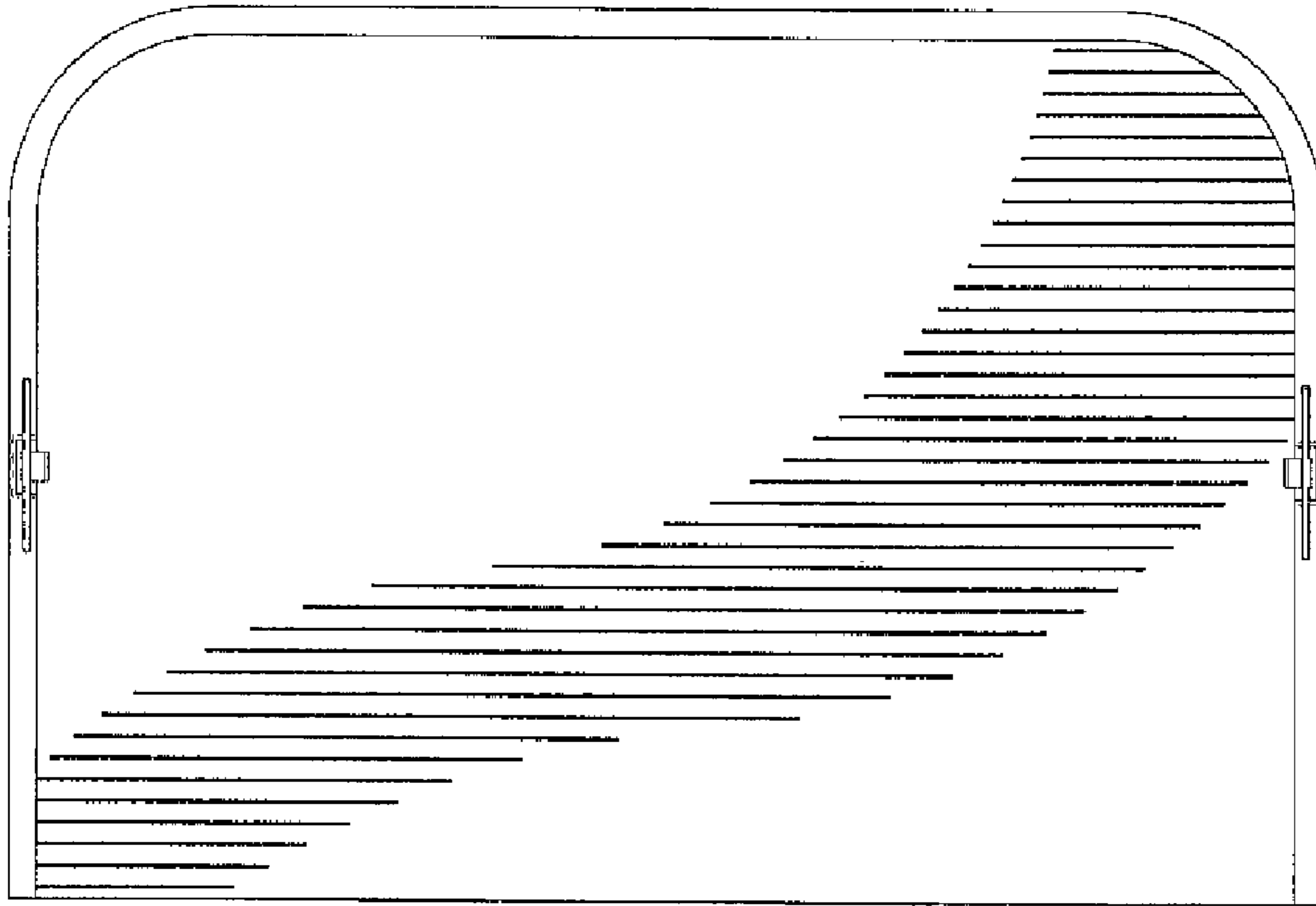


FIG. 7

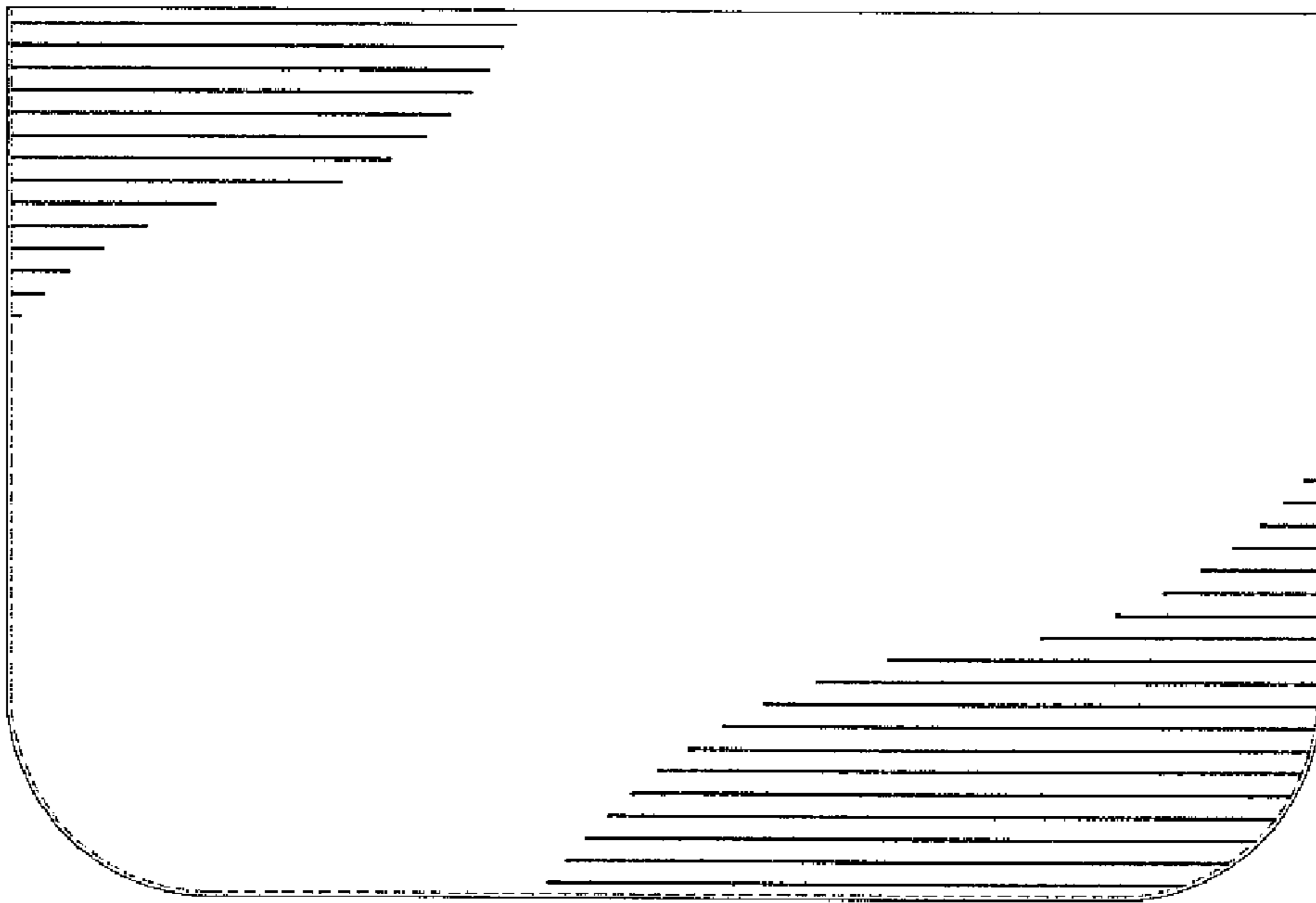


FIG. 8

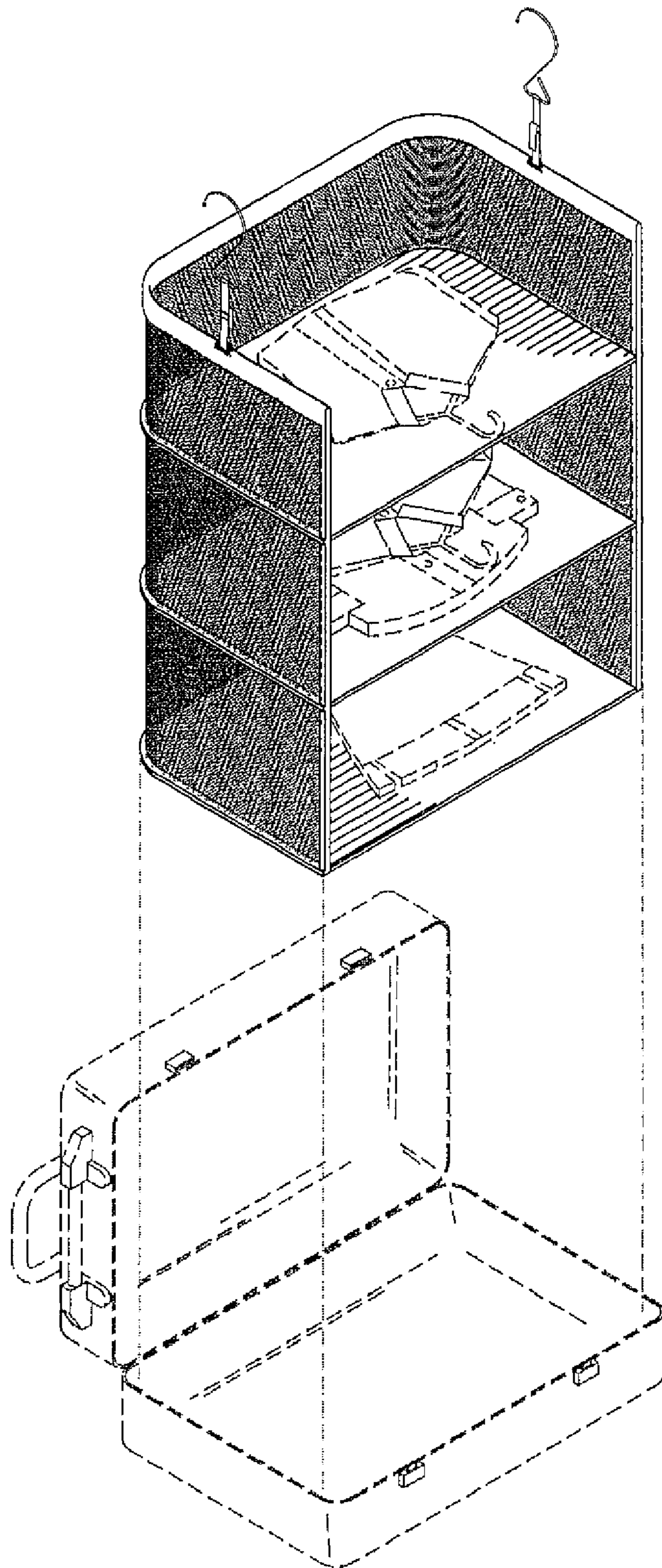


FIG. 9

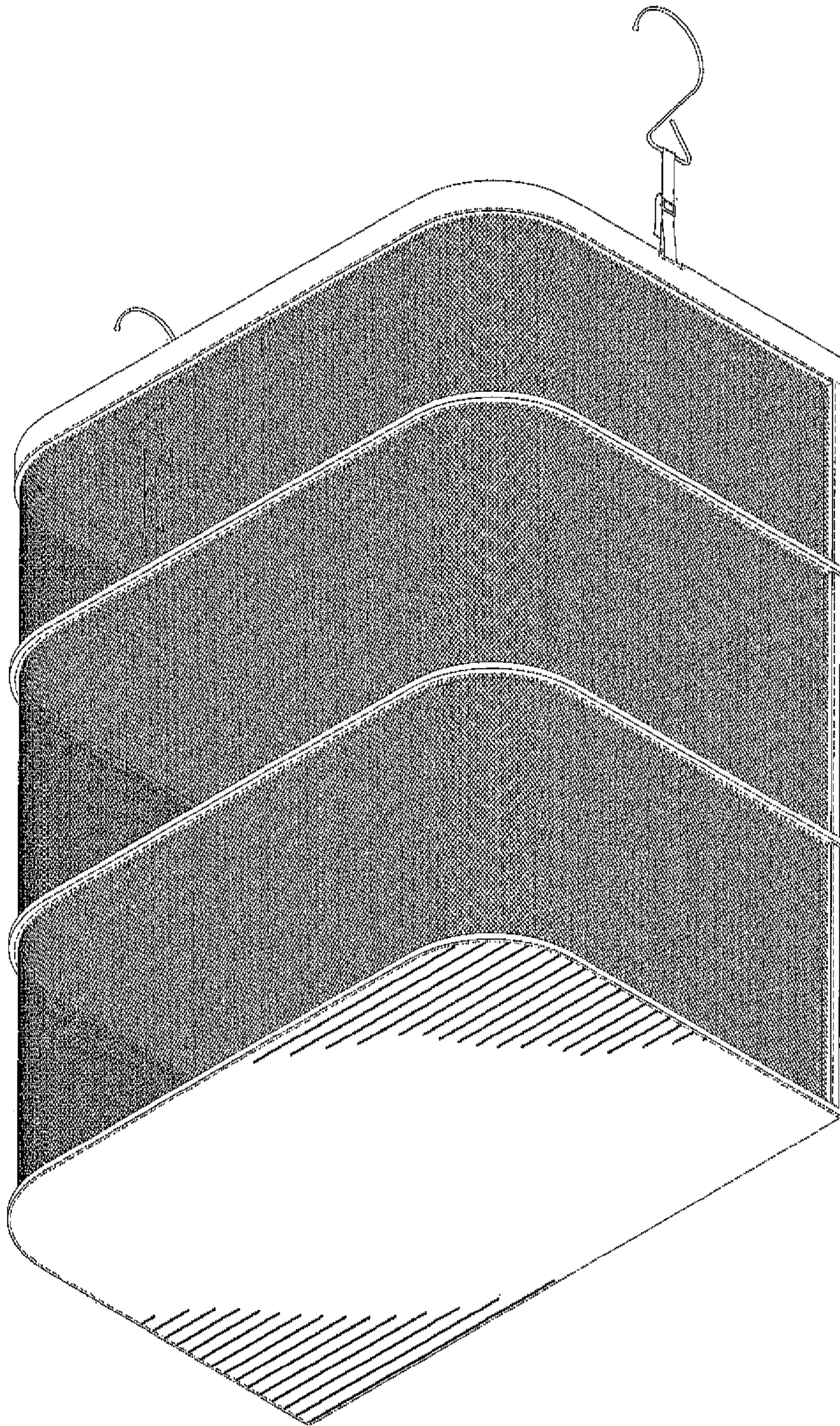


FIG. 10

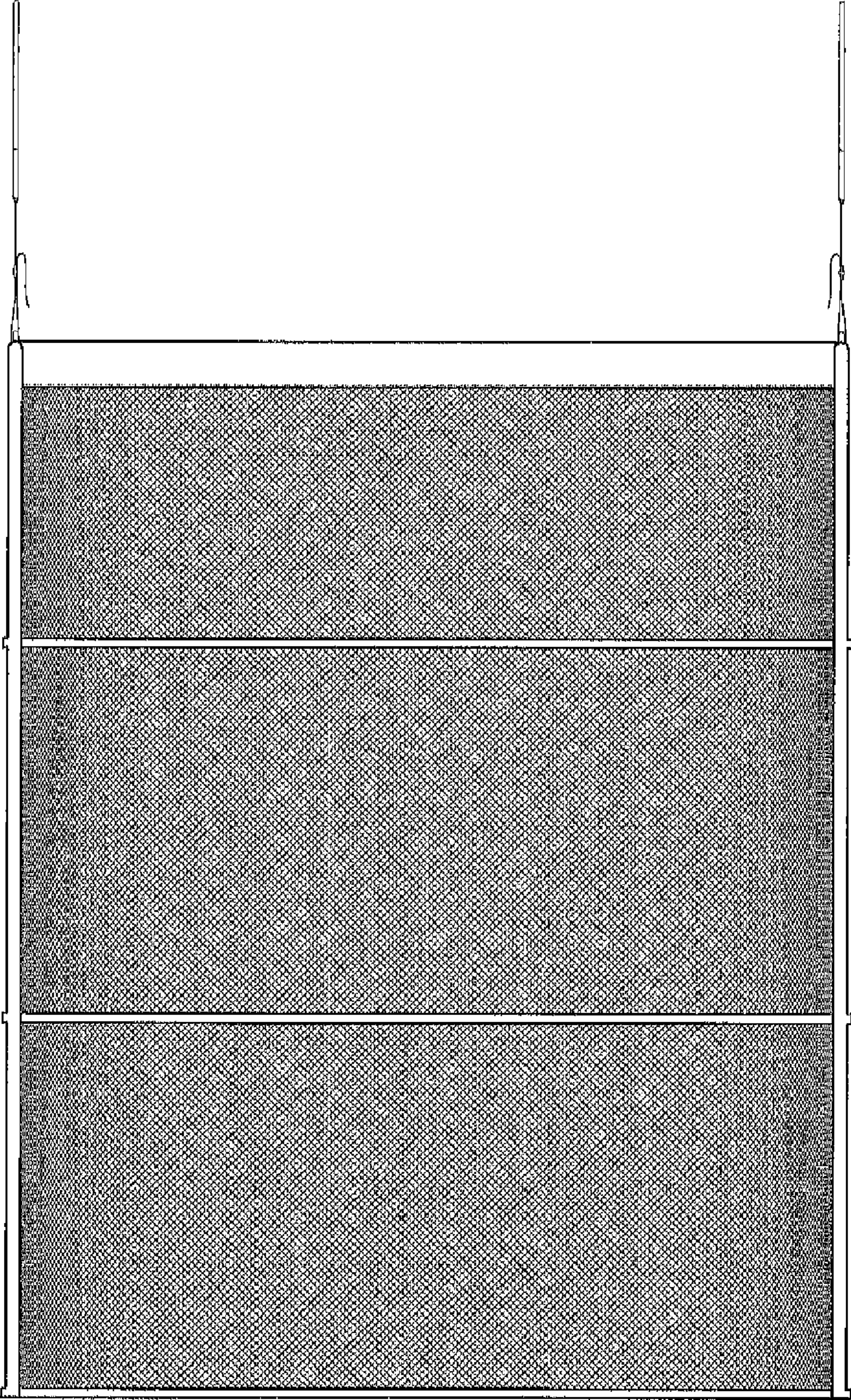


FIG. 11

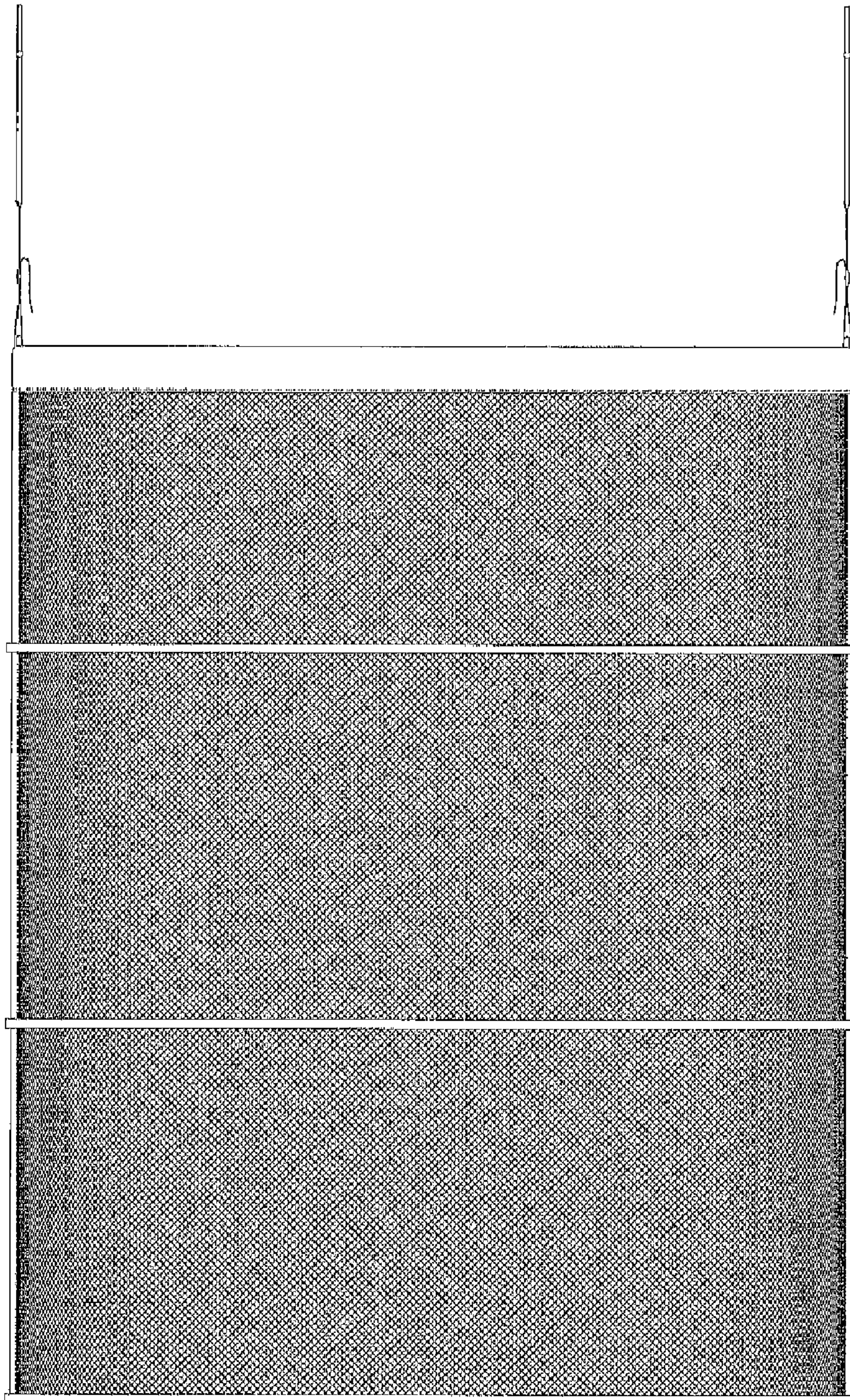


FIG. 12

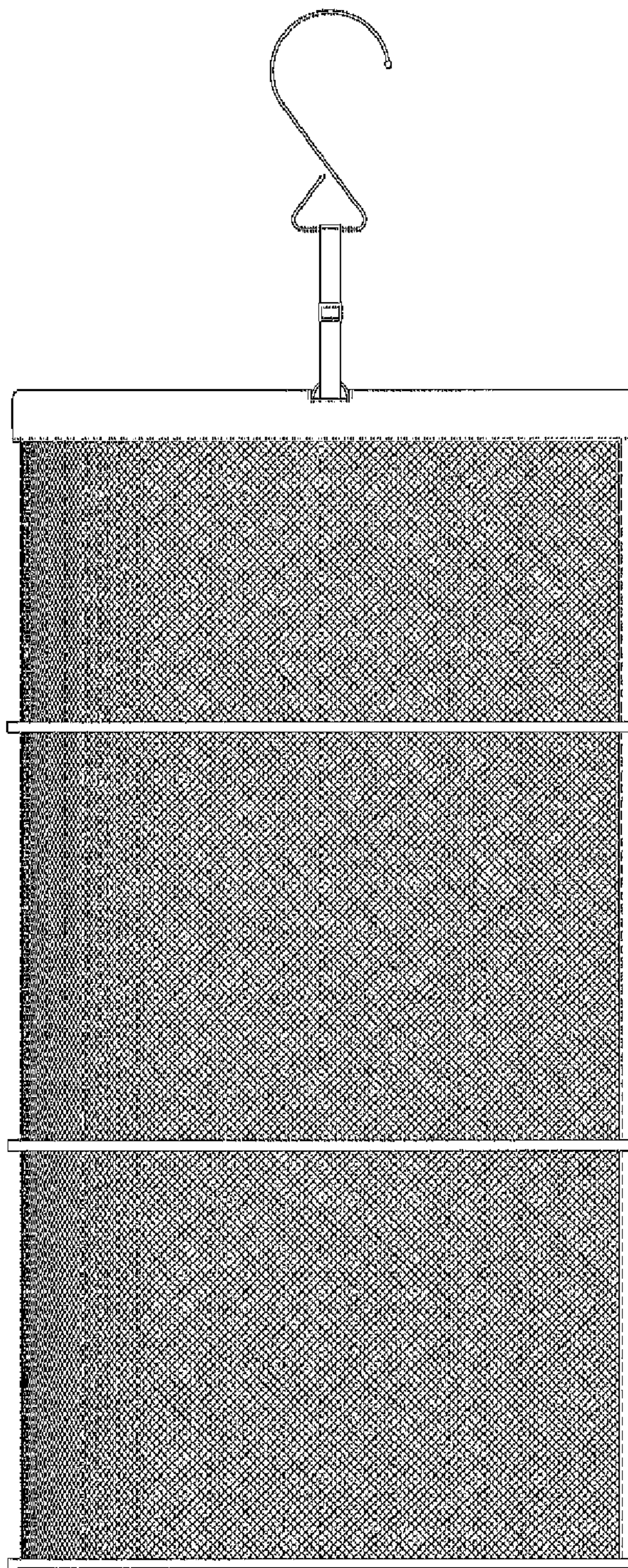


FIG. 13

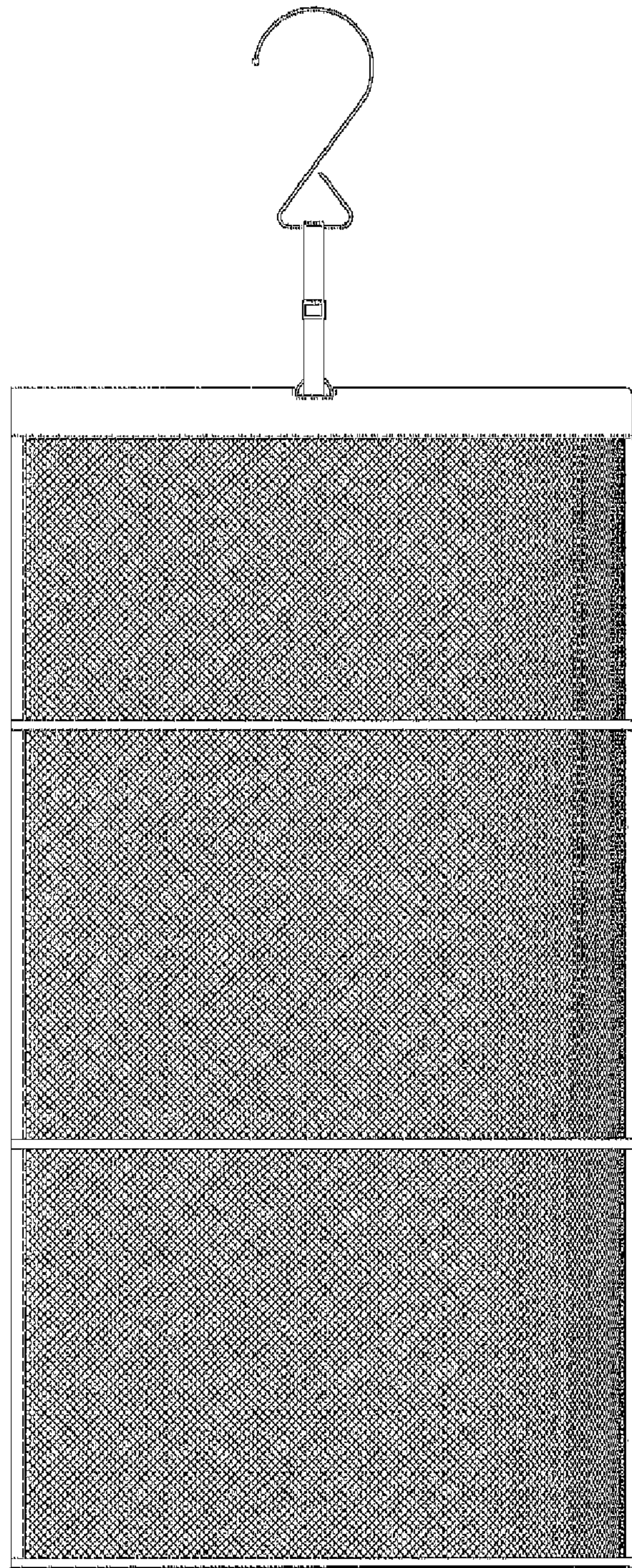


FIG. 14

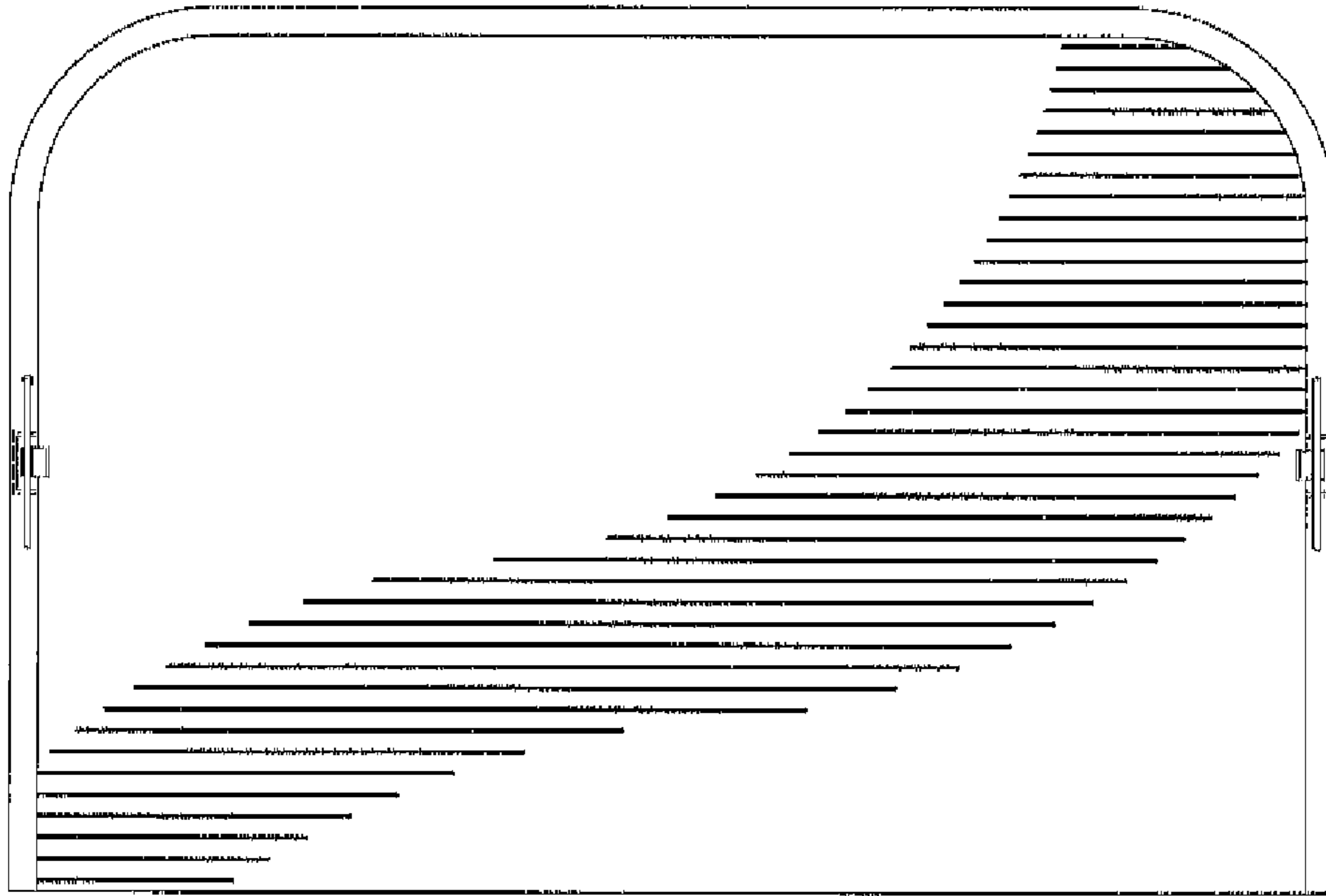


FIG. 15

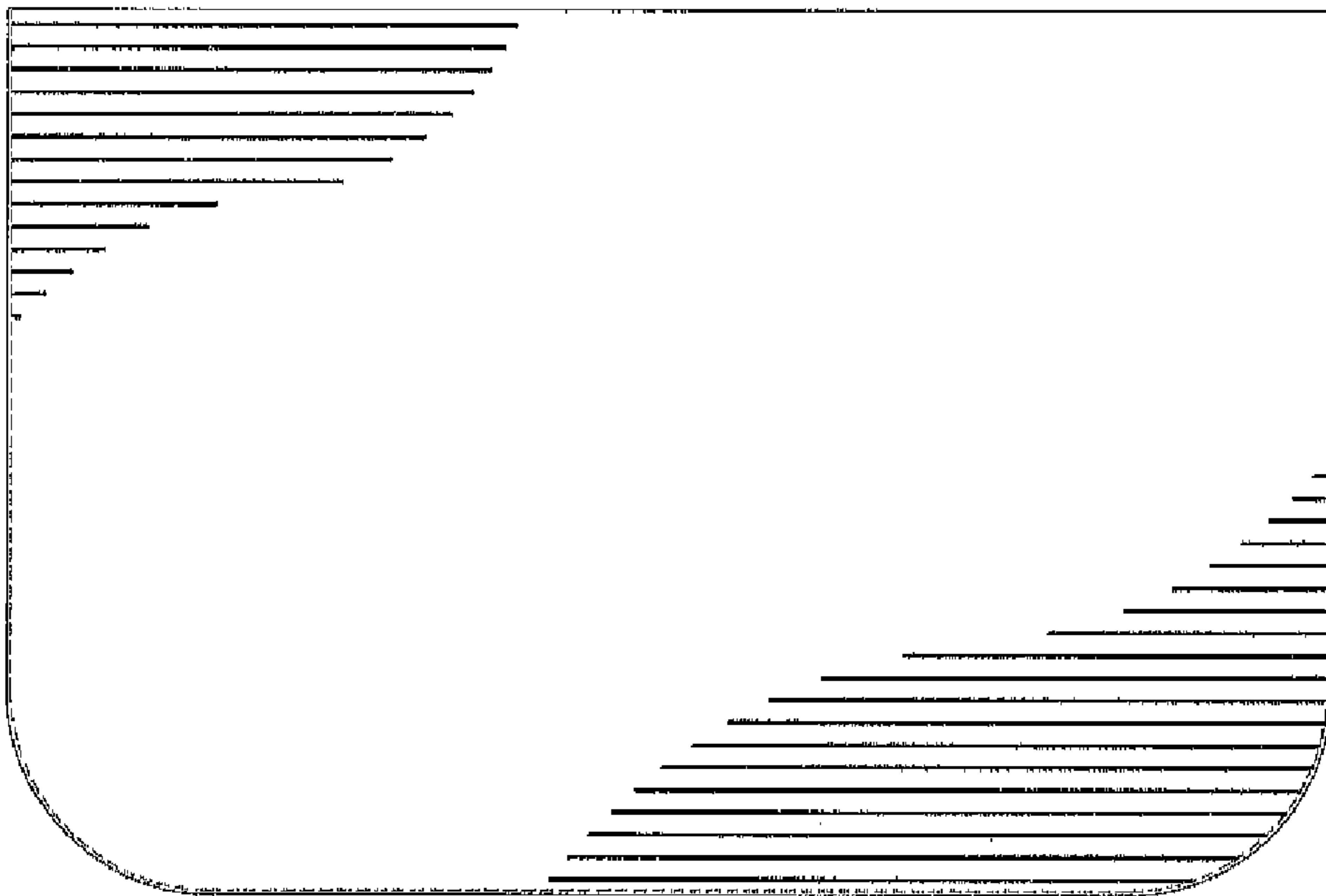


FIG. 16

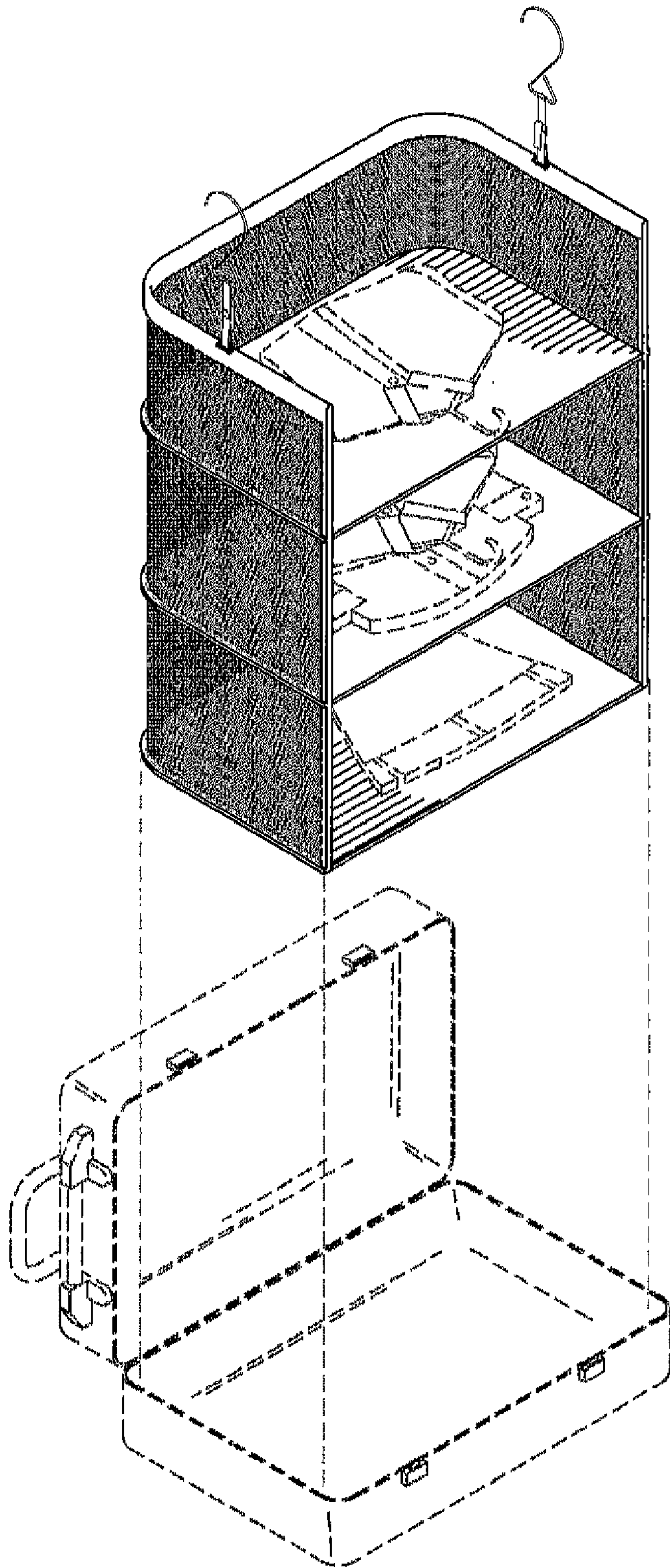


FIG. 17