



US00D670110S

(12) **United States Design Patent**
Luntao

(10) **Patent No.:** **US D670,110 S**

(45) **Date of Patent:** **** Nov. 6, 2012**

(54) **SEAT WITH ADJUSTABLE CUSHION**

D577,243 S 9/2008 Swedenburg
7,891,033 B2 * 2/2011 Loewenthal et al. 297/452.21
7,931,333 B2 * 4/2011 Sung et al. 297/452.21

(76) Inventor: **Darryl Luntao**, Ontario, CA (US)

* cited by examiner

(**) Term: **14 Years**

Primary Examiner — Mimoso De

(21) Appl. No.: **29/414,446**

(74) *Attorney, Agent, or Firm* — Kirk A. Buhler; Buhler & Associates

(22) Filed: **Feb. 28, 2012**

(51) **LOC (9) Cl.** **06-01**

(57) **CLAIM**

(52) **U.S. Cl.** **D6/502**

The ornamental design for a seat with adjustable cushion, as shown and described.

(58) **Field of Classification Search** D6/334-336,
D6/364, 365, 366, 367, 368, 374, 379, 380,
D6/500-502; 297/452.18, 452.21, 452.24,
297/452.25, 452.26, 452.28, 452.43, 452.48,
297/452.56

DESCRIPTION

See application file for complete search history.

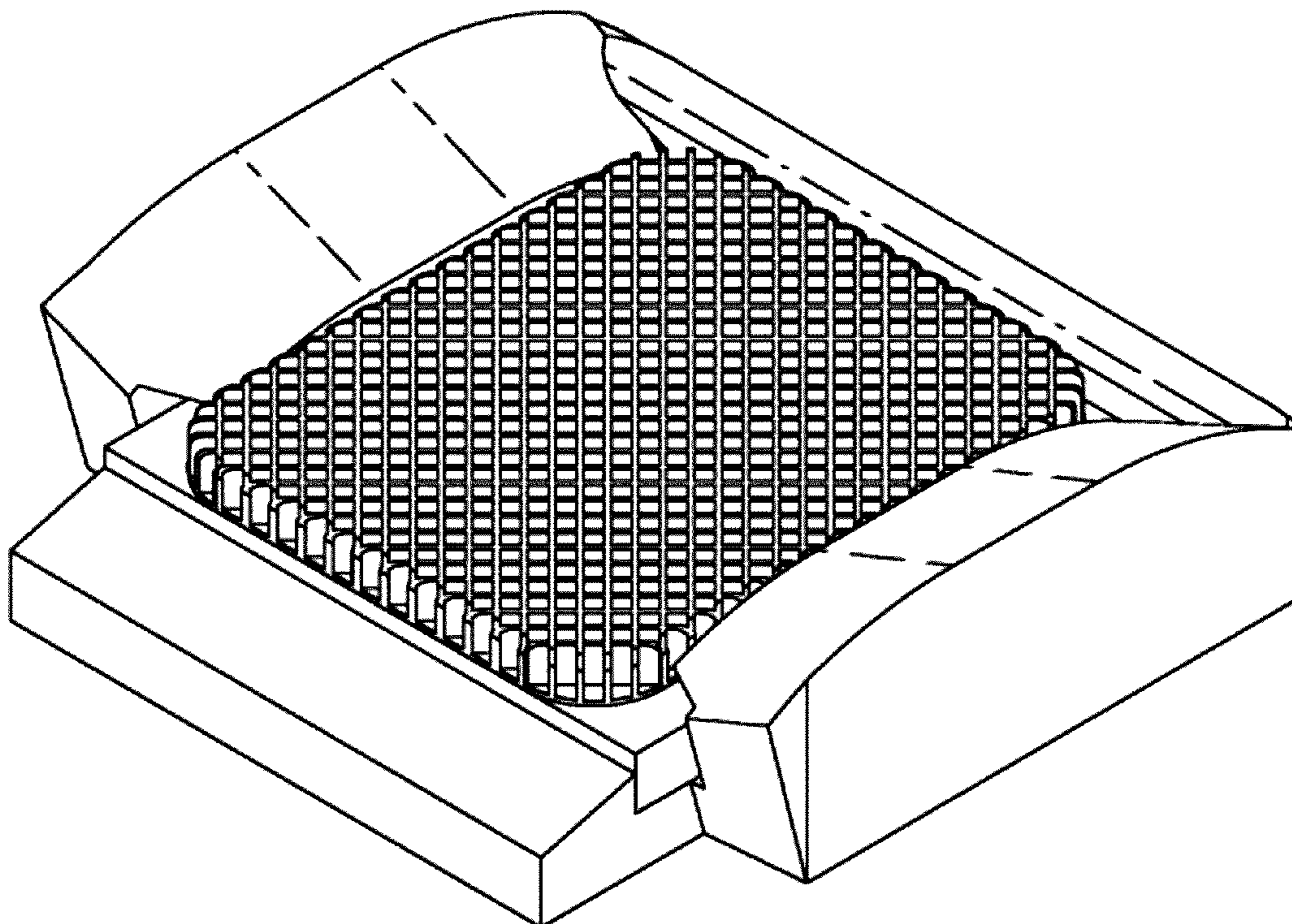
FIG. 1 is a top perspective view for a seat with adjustable cushion with a one-inch pad showing my new design; FIG. 2 is a right side view thereof, the left side view being a mirror image thereof; FIG. 3 is a back side view with a one-inch pad thereof; FIG. 4 is a front view thereof; FIG. 5 is a top view thereof; FIG. 6 is a bottom view thereof; FIG. 7 is a back side view with a one and a quarter inch pad thereof; FIG. 8 is a back side view with a two or a two and a quarter inch pad thereof; and, FIG. 9 is a perspective exploded view showing the assembly of pieces with a one-inch pad.

(56) **References Cited**

U.S. PATENT DOCUMENTS

2,800,165	A *	7/1957	Talalay et al.	297/452.48
2,931,427	A *	4/1960	Goldstein	297/452.43
4,585,273	A *	4/1986	Higgs et al.	297/452.18
5,234,252	A	8/1993	Wallach	
5,364,167	A *	11/1994	Aoki et al.	297/452.18
5,707,107	A	1/1998	Melone	
6,106,071	A *	8/2000	Aebischer et al.	297/452.56
6,619,750	B2 *	9/2003	Toyota et al.	297/452.18
D492,146	S *	6/2004	Mizelle	D6/502
7,168,760	B2	1/2007	Kenny	
D568,085	S	5/2008	Pawsey	

1 Claim, 5 Drawing Sheets



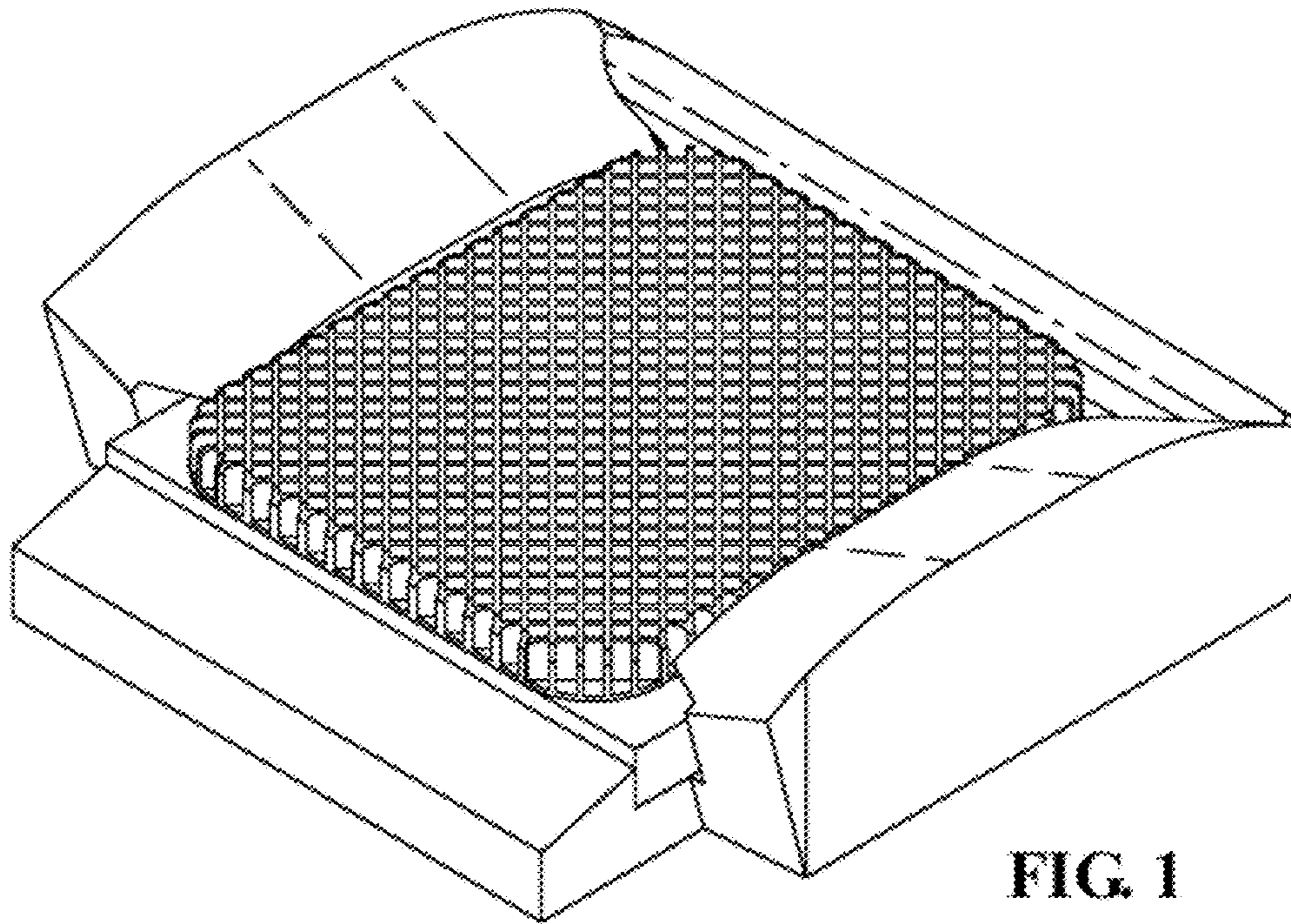


FIG. 1

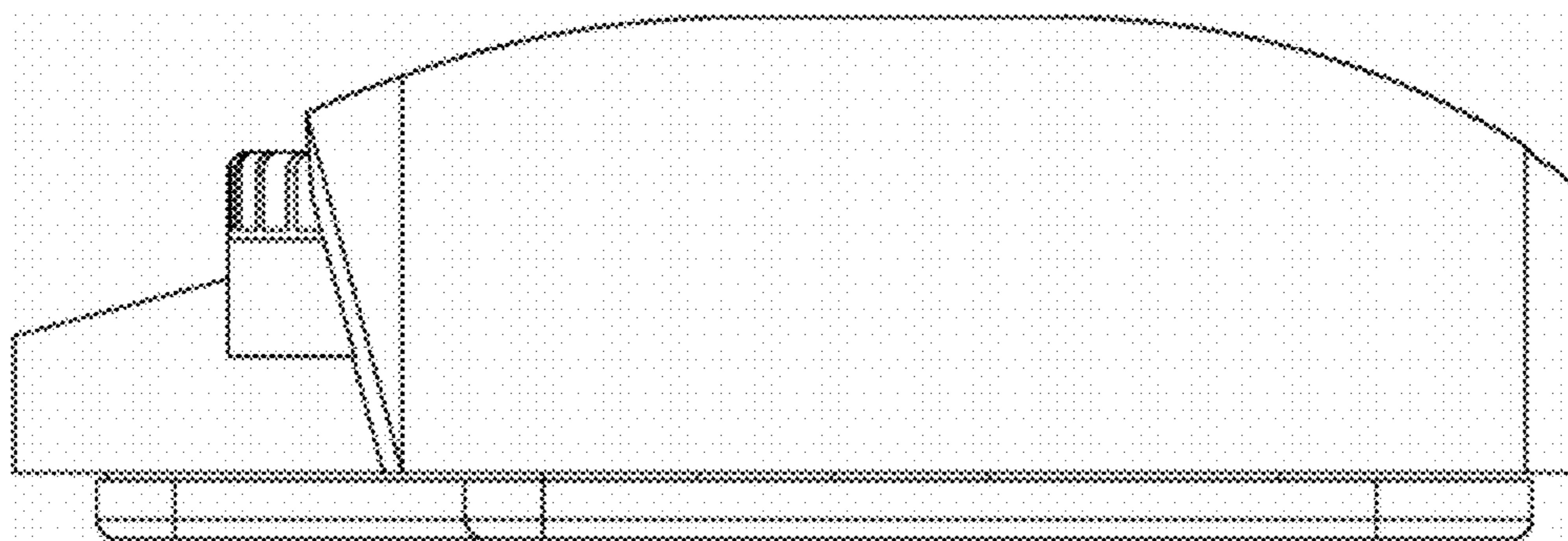


FIG. 2

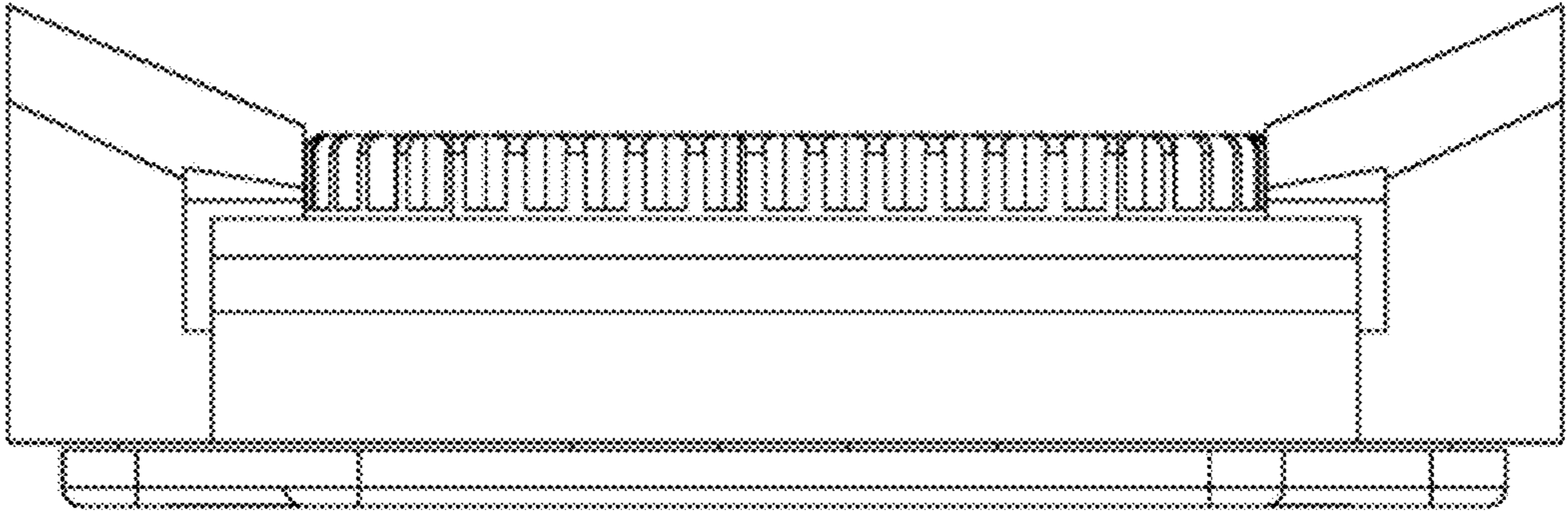


FIG. 3

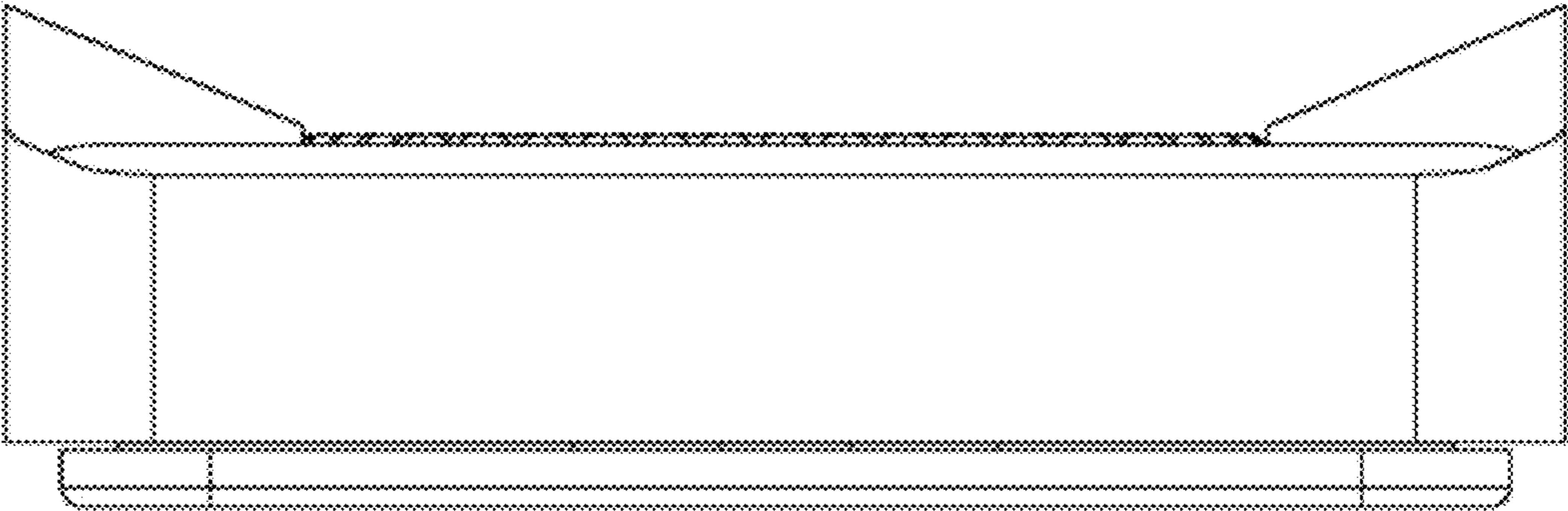


FIG. 4

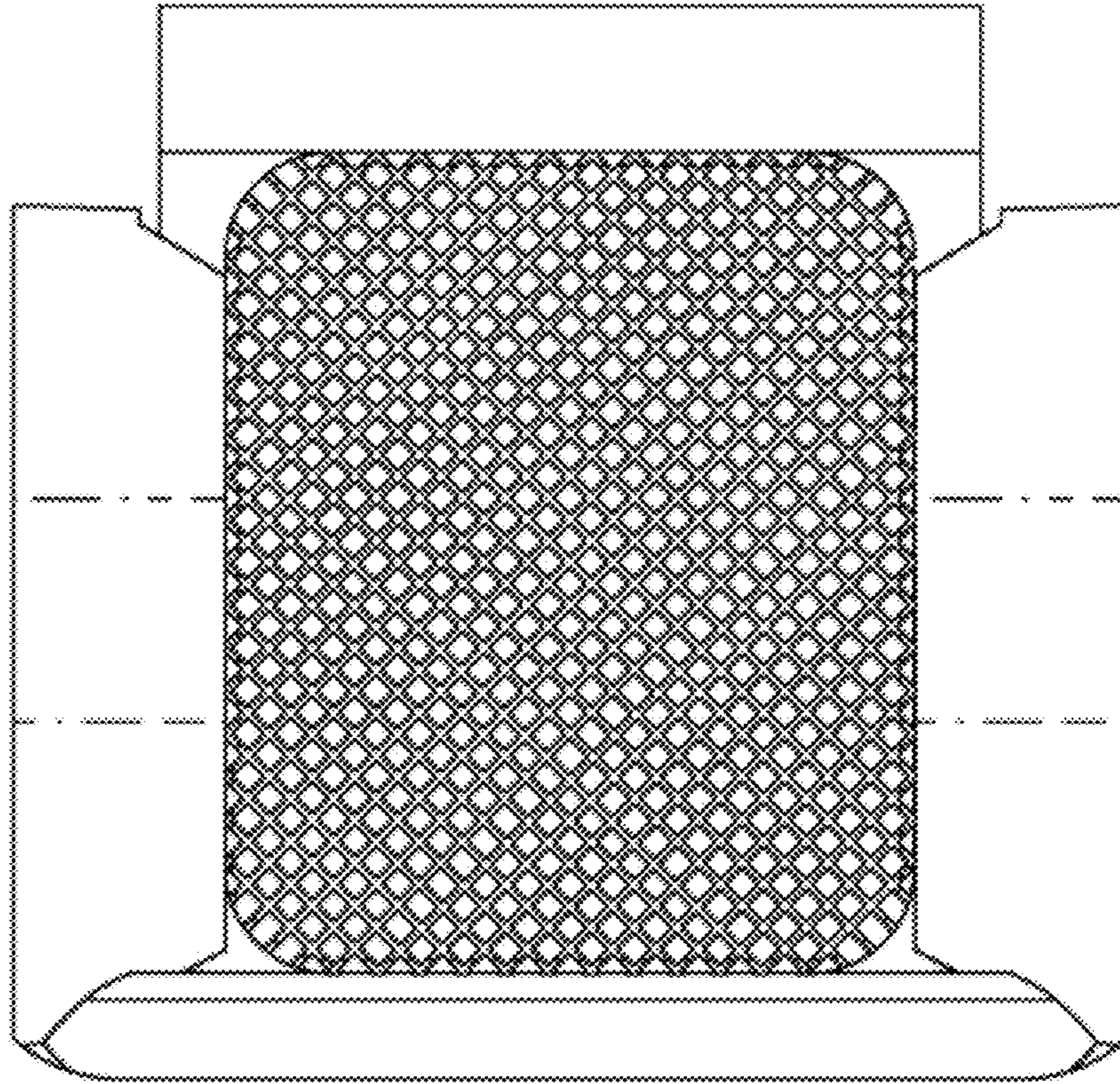


FIG. 5

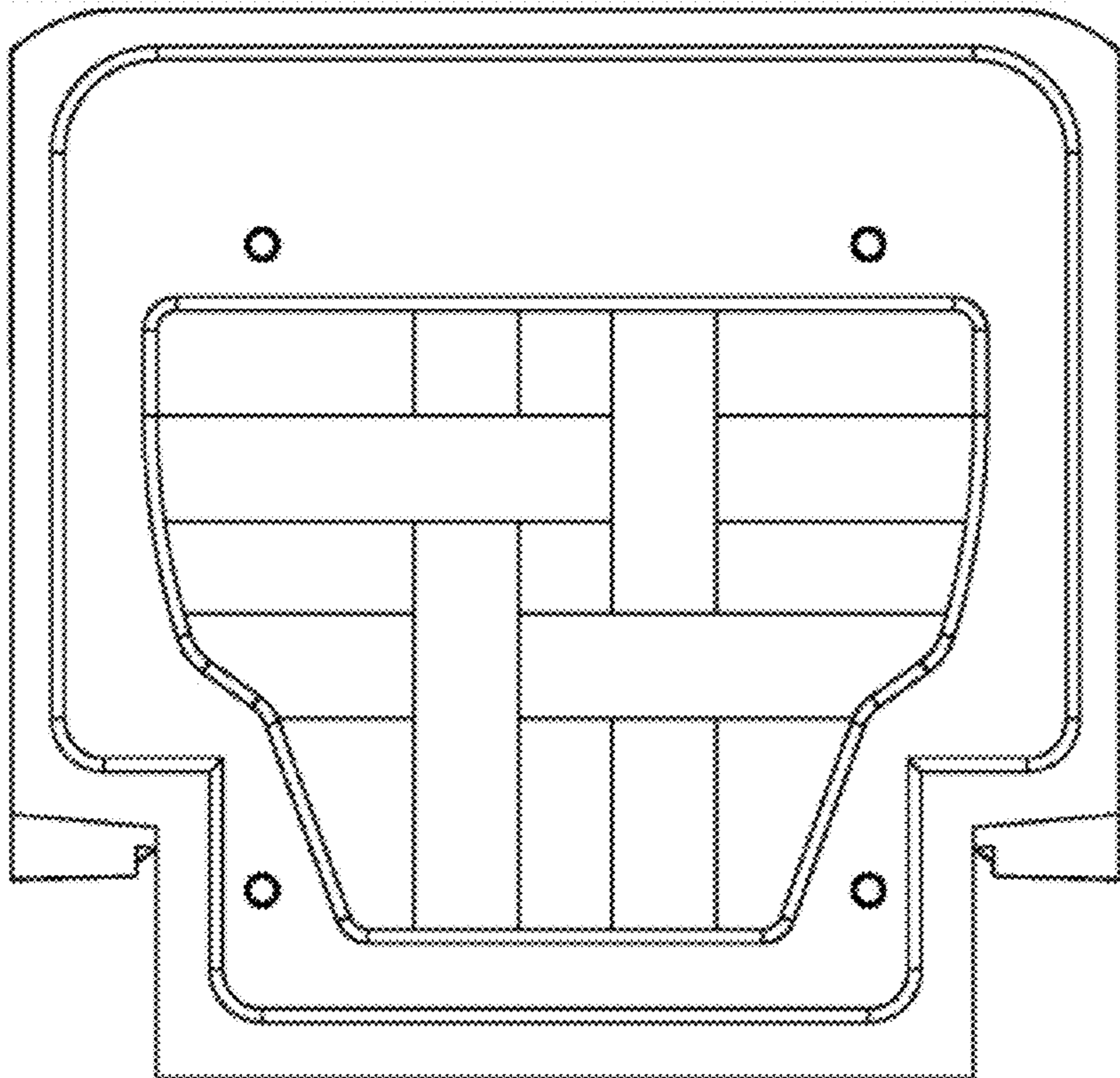


FIG. 6

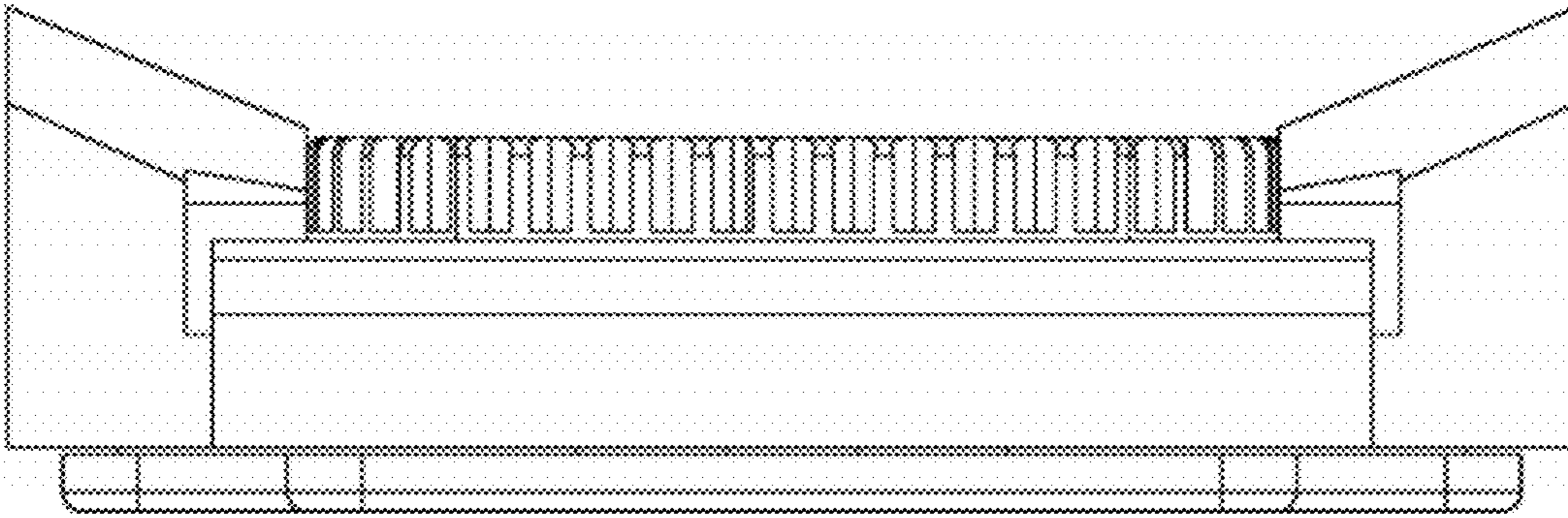


FIG. 7

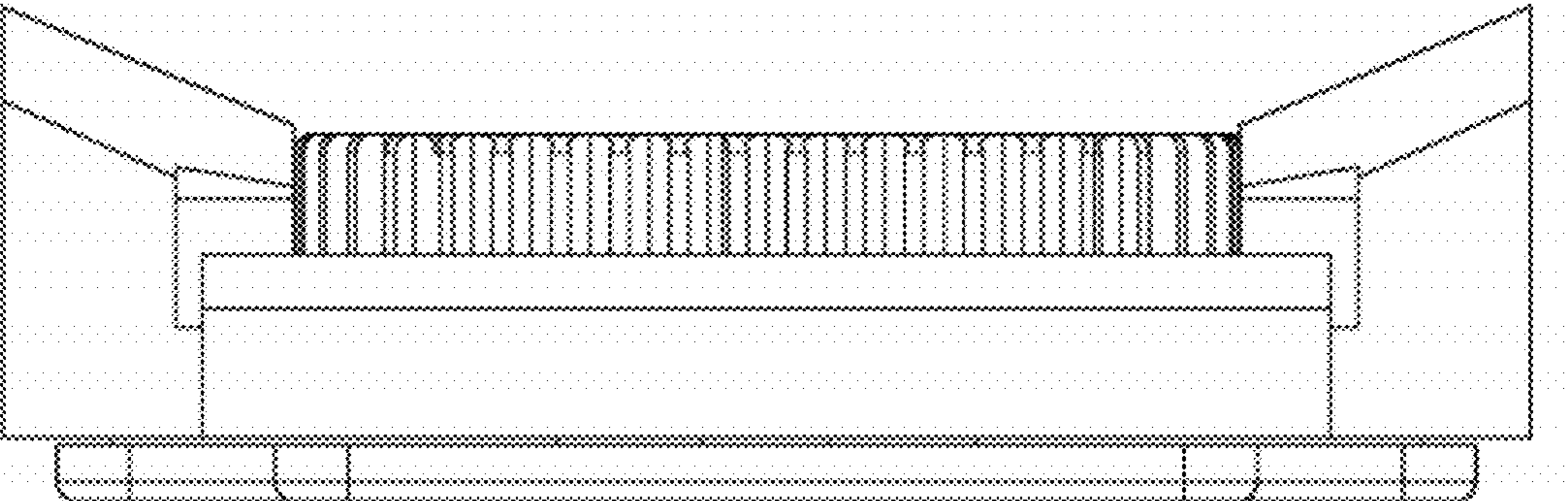


FIG. 8

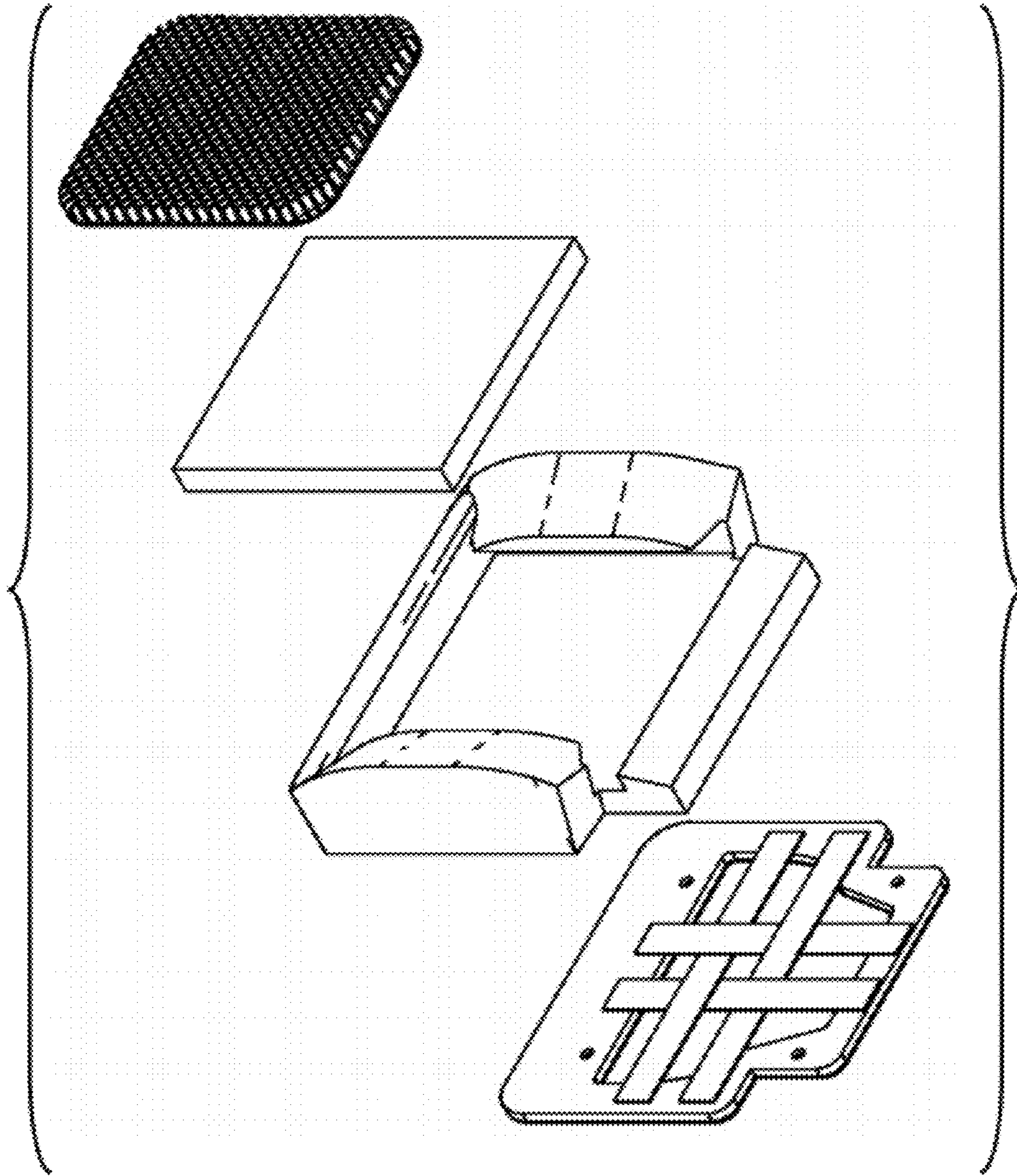


FIG. 9