



US00D670107S

(12) **United States Design Patent**
Henriott

(10) **Patent No.:** **US D670,107 S**
(45) **Date of Patent:** **** Nov. 6, 2012**

(54) **TABLE WITH PRIVACY SCREEN**
(75) Inventor: **Jay M. Henriott**, Jasper, IN (US)
(73) Assignee: **Kimball International, Inc.**, Jasper, IN (US)
(**) Term: **14 Years**
(21) Appl. No.: **29/392,817**

5,964,160 A * 10/1999 Williams 108/27
D417,608 S 12/1999 Martin
D432,901 S 10/2000 McDonald
6,349,911 B1 2/2002 Feldpausch et al.
6,378,255 B1 4/2002 Eich et al.
D479,064 S * 9/2003 Goldberg D6/480
D643,661 S * 8/2011 Ferrer D6/556
2005/0126446 A1 6/2005 Nobles et al.
2008/0283702 A1 11/2008 Ikerd
2009/0114269 A1 5/2009 Fletcher et al.

(22) Filed: **May 26, 2011**
(51) **LOC (9) Cl.** **06-06**
(52) **U.S. Cl.** **D6/491; D6/421**
(58) **Field of Classification Search** D6/480-489,
D6/491, 421, 332; 160/135, 351; 312/239,
312/196; 108/60; 52/36.1
See application file for complete search history.

FOREIGN PATENT DOCUMENTS

CN 201037995 3/2008
WO 02/08851 1/2002

* cited by examiner

Primary Examiner — Janice Seeger

(56) **References Cited**

U.S. PATENT DOCUMENTS

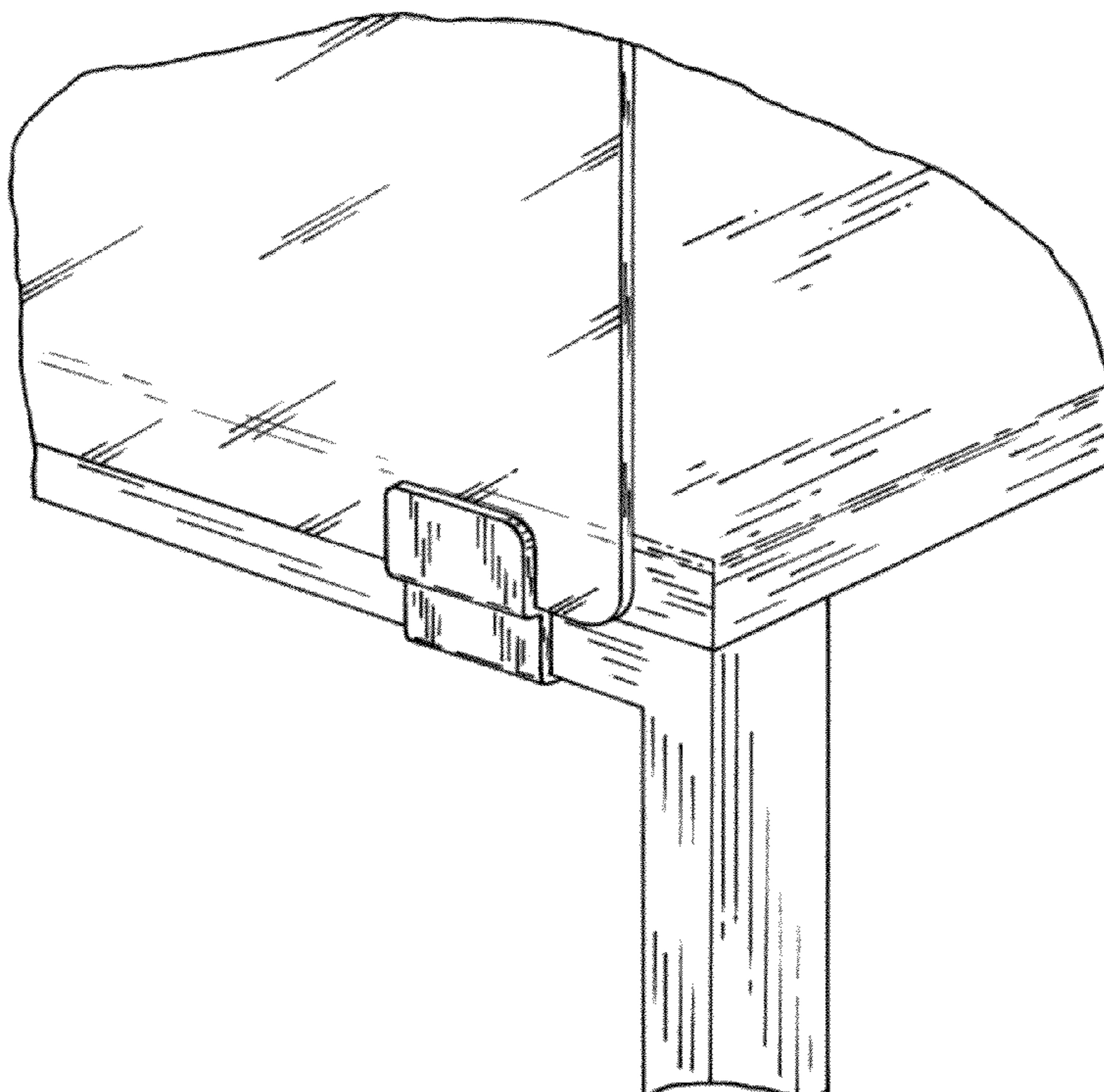
1,800,075 A 4/1931 Imrie
1,925,540 A 9/1933 Neuschotz
2,942,924 A * 6/1960 Stangert 312/140.4
3,197,265 A 7/1965 Rand
3,862,784 A 1/1975 Heinrich
D260,782 S 9/1981 DeMars
4,460,147 A 7/1984 Macbain
4,501,057 A 2/1985 Palomera
5,322,255 A 6/1994 Garrett
D360,572 S 7/1995 Adams
D366,207 S 1/1996 Thompson
D388,313 S 12/1997 Benner et al.
5,890,782 A * 4/1999 Alberts 312/196

DESCRIPTION

(57) **CLAIM**
The ornamental design for a table with privacy screen, as shown and described.

FIG. 1 is a front partial perspective view of a table with privacy screen according to my new design;
FIG. 2 is a front elevational view thereof;
FIG. 3 is a side elevational thereof;
FIG. 4 is a top plan view thereof; and,
FIG. 5 is a bottom plan view thereof.
Features shown in dashed lines form no part of the claimed designs.

1 Claim, 2 Drawing Sheets



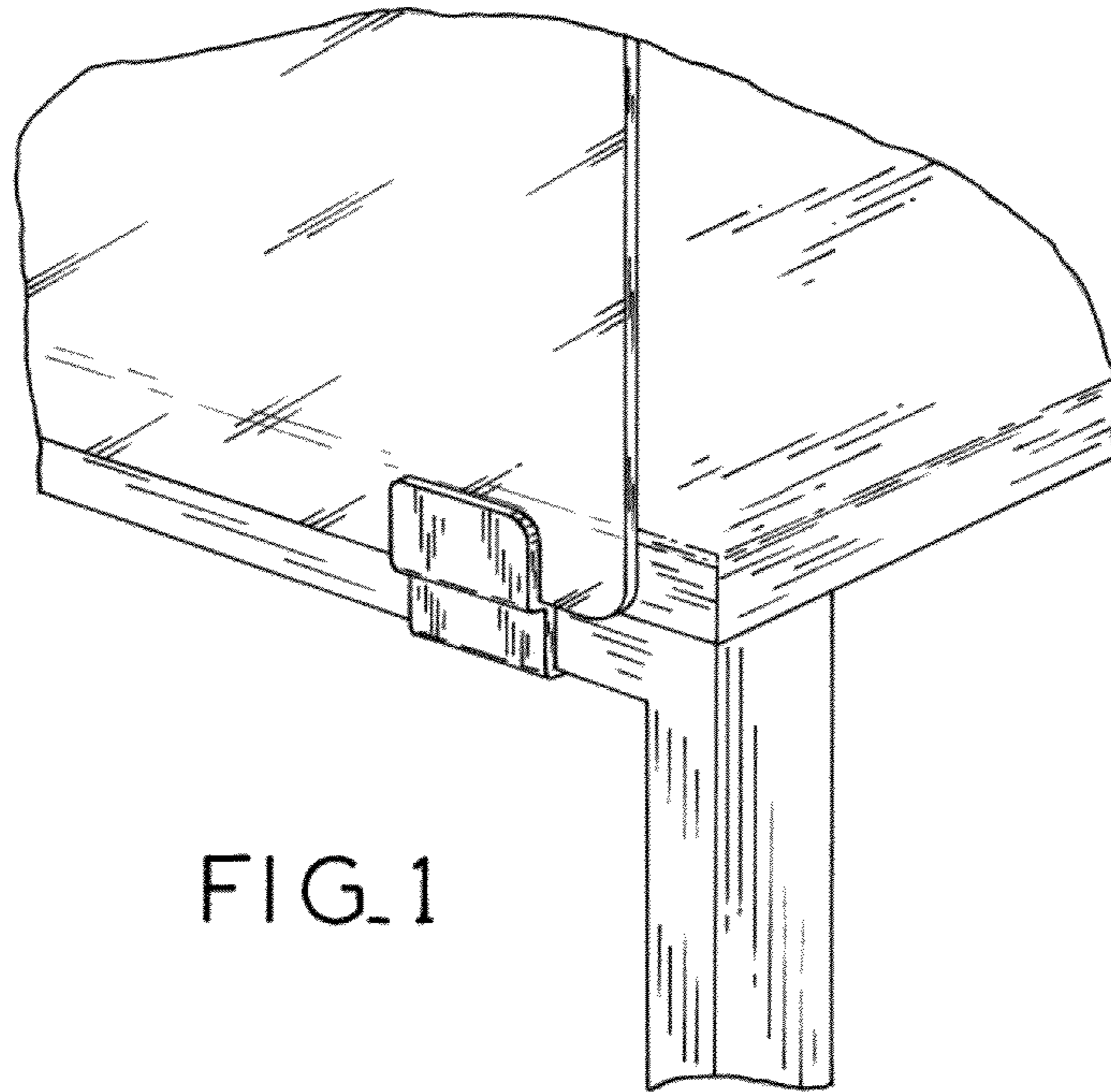


FIG. 1

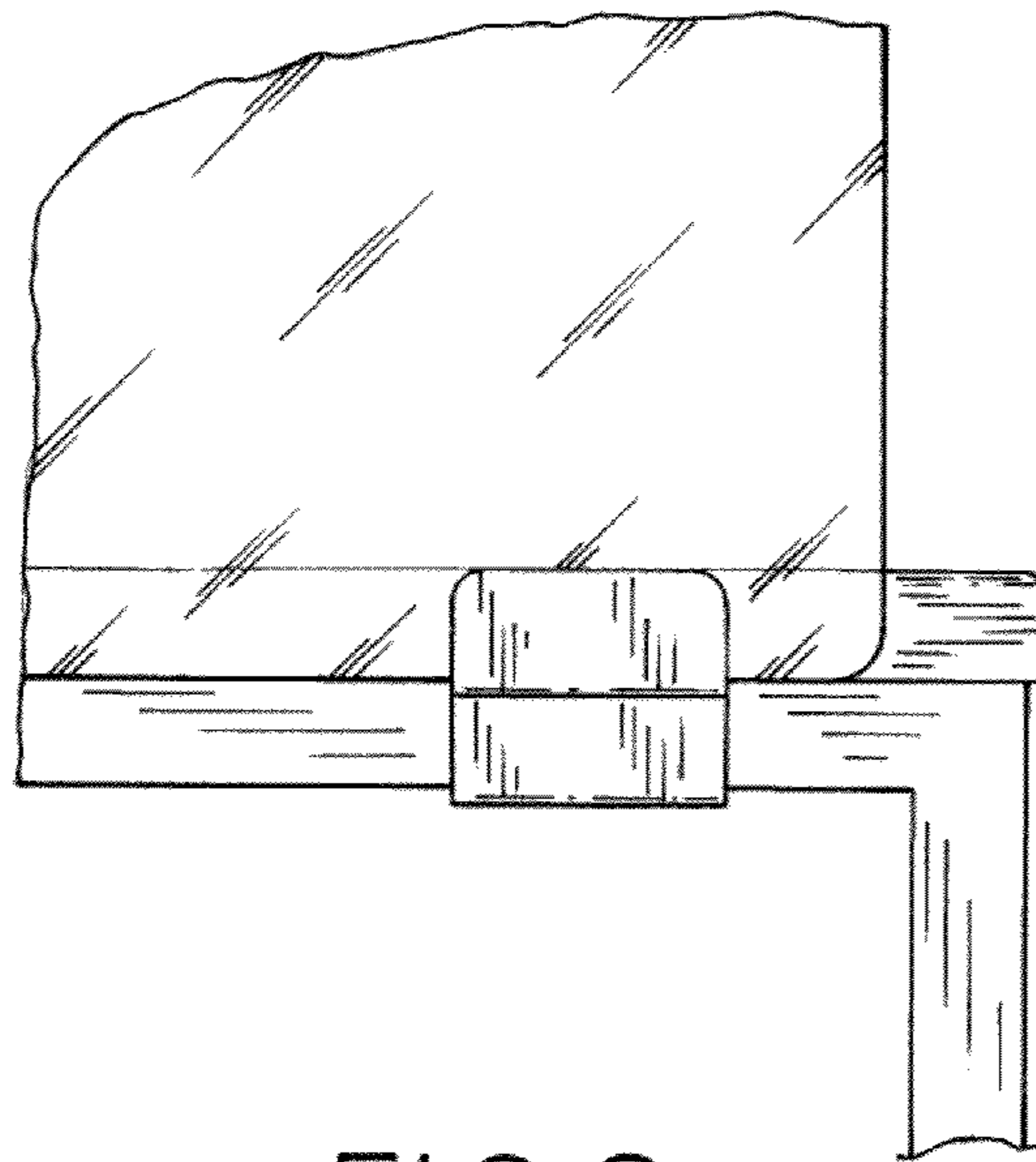


FIG. 2

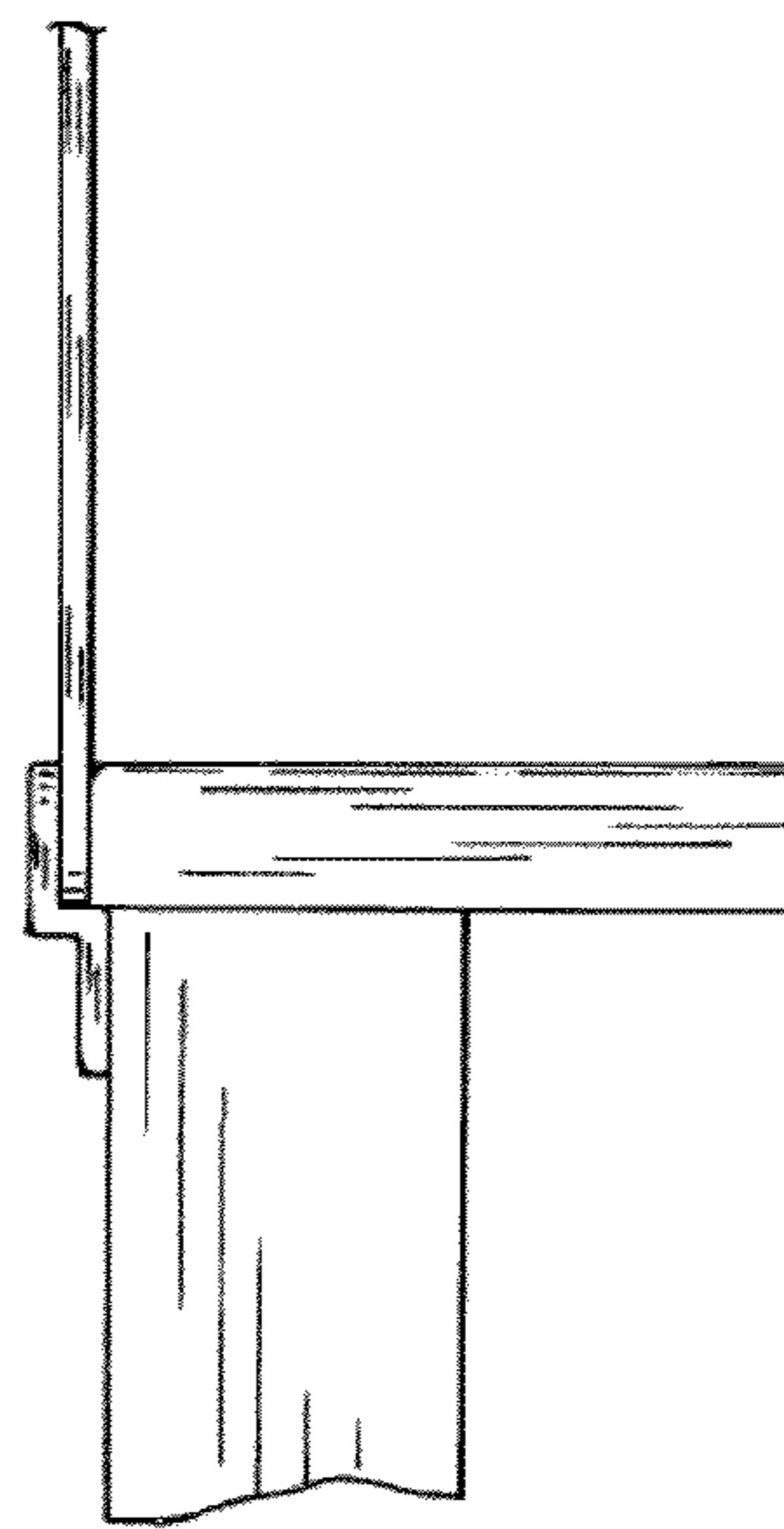


FIG. 3

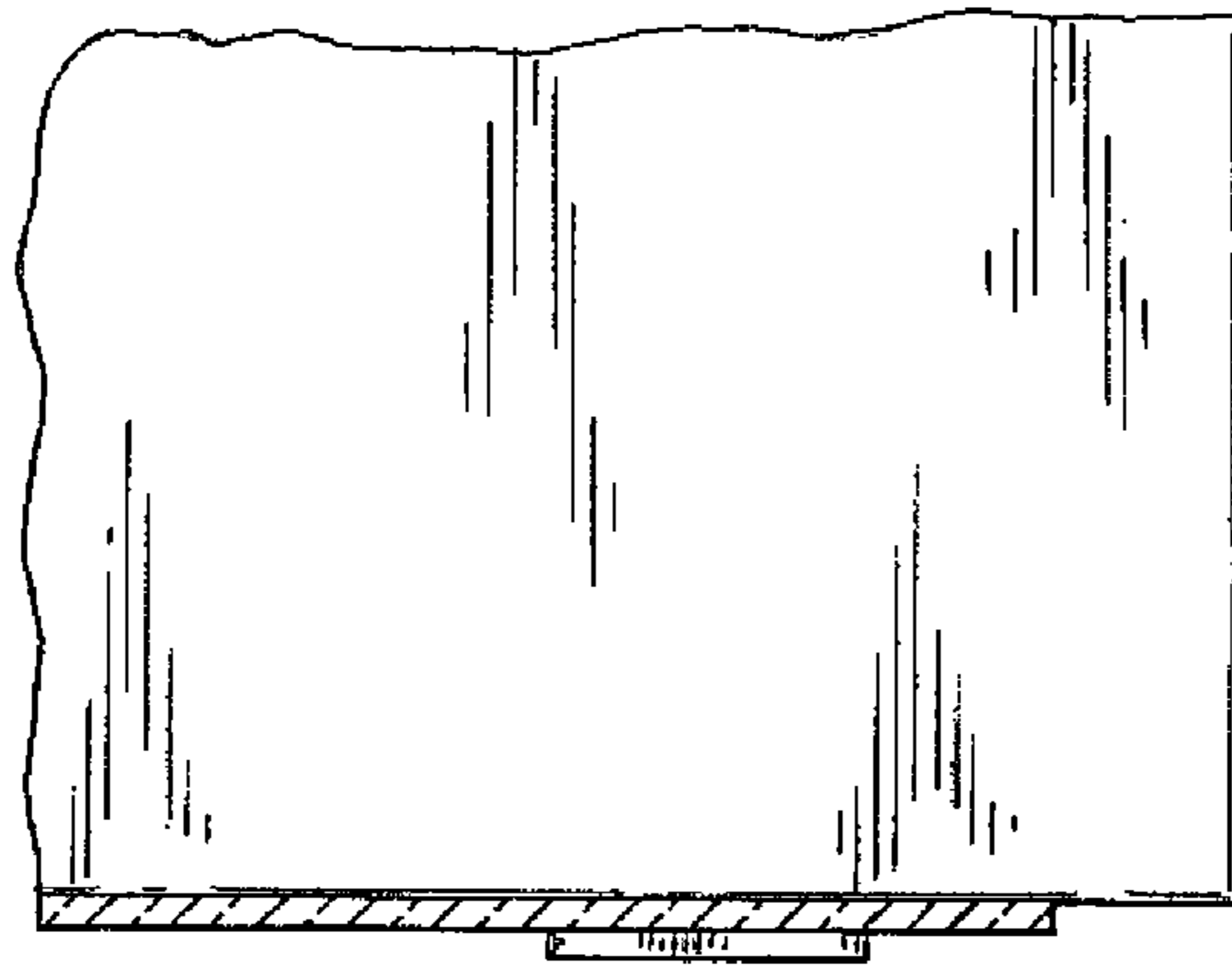


FIG. 4

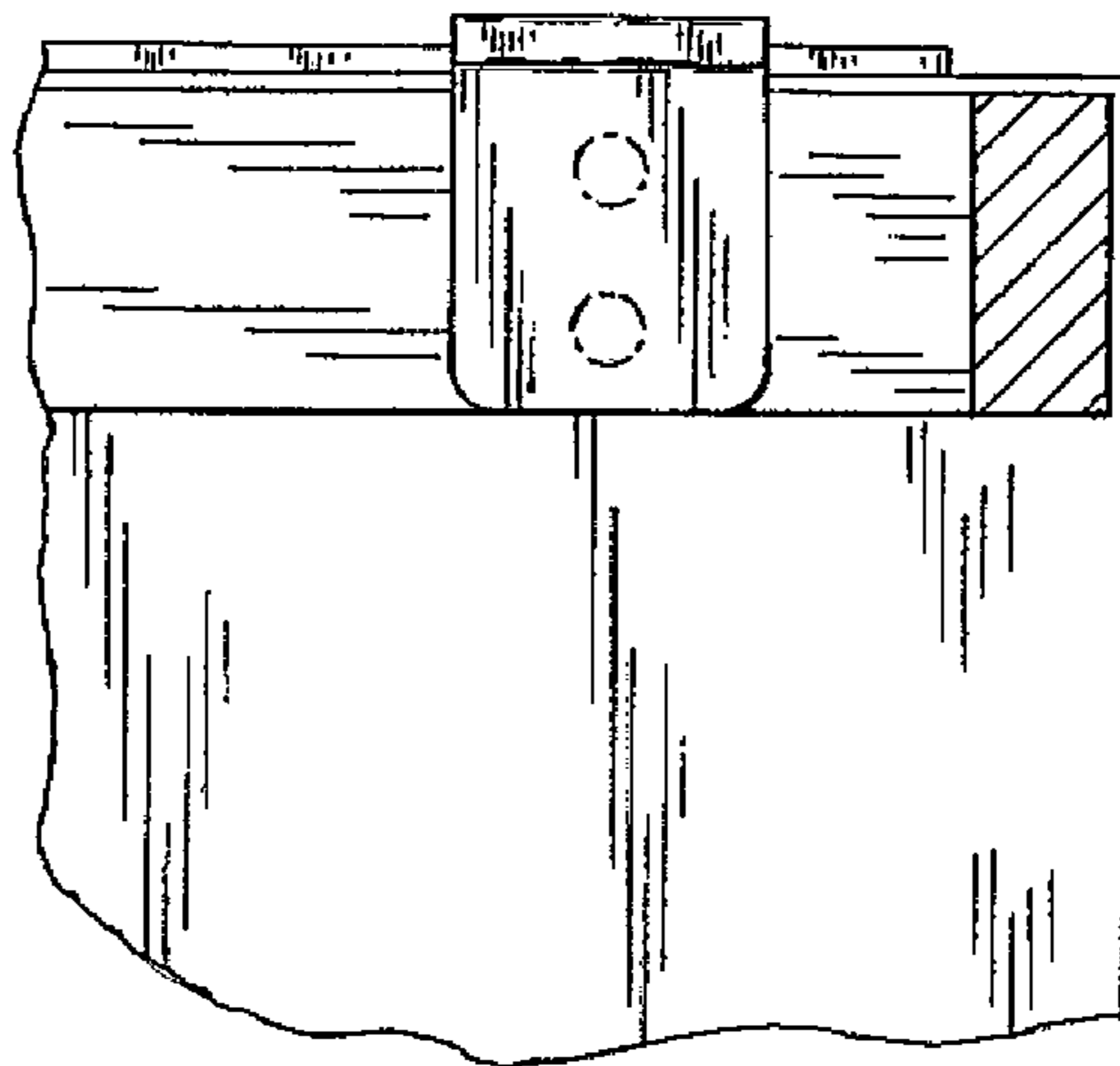


FIG. 5