



US00D670103S

(12) **United States Design Patent**  
**Johnson et al.**

(10) **Patent No.:** **US D670,103 S**  
(45) **Date of Patent:** **\*\* Nov. 6, 2012**

(54) **DISPLAY FIXTURE**

(75) Inventors: **Jason W. Johnson**, Wayzata, MN (US);  
**Timothy J. Martell**, Brooklyn Park, MN  
(US); **Daniel J. Noll**, Madison, WI (US);  
**Erin L. Zobel**, Minneapolis, MN (US)

5,224,609 A 7/1993 Bauer et al.  
D338,122 S 8/1993 Emalfarb et al.  
D400,030 S \* 10/1998 Wetzel ..... D6/474  
D446,051 S \* 8/2001 Gasmi ..... D6/455  
D451,704 S \* 12/2001 Curci ..... D6/463

(Continued)

(73) Assignee: **Target Brands, Inc.**, Minneapolis, MN  
(US)

(\*\*) Term: **14 Years**

(21) Appl. No.: **29/425,894**

(22) Filed: **Jun. 28, 2012**

(51) **LOC (9) Cl.** ..... **06-06**

(52) **U.S. Cl.** ..... **D6/475**

(58) **Field of Classification Search** ..... D6/449,  
D6/470-472, 474-475, 476-479; 108/59,  
108/108, 91-92, 181; 312/107, 114; 211/59.4,  
211/69, 134, 186-192

See application file for complete search history.

(56) **References Cited**

**U.S. PATENT DOCUMENTS**

328,926 A	10/1885	Elliott	
928,213 A	7/1909	Patterson	
1,001,416 A	8/1911	Lloyd	
1,112,558 A	10/1914	Red	
1,989,294 A	1/1935	Serpico	
2,711,873 A	6/1955	Larin	
2,763,377 A	9/1956	Martin	
3,711,048 A	1/1973	Thalenfeld	
3,870,154 A	3/1975	Monet et al.	
3,921,948 A	11/1975	Long	
4,011,951 A	3/1977	Boyer	
4,679,695 A	7/1987	Leff	
D306,805 S *	3/1990	Larson et al.	..... D6/462
5,215,200 A	6/1993	Rosenthal	

**OTHER PUBLICATIONS**

Pending U.S. Appl. No. 13/535,634, filed Jun. 28, 2012, entitled  
Loose Item Display Fixture, 23 pages.

*Primary Examiner* — Kelley Donnelly

(74) *Attorney, Agent, or Firm* — Leanne Taveggin Farrell;  
Westman, Champlin & Kelly, P.A.

(57) **CLAIM**

The ornamental design for a display fixture, as shown and  
described.

**DESCRIPTION**

FIG. 1 is a perspective view of a first embodiment of a display  
fixture;

FIG. 2 is a right side view of the display fixture illustrated in  
FIG. 1 with some of the unclaimed subject matter removed;

FIG. 3 is a left side view of the display fixture illustrated in  
FIG. 1 with some of the unclaimed subject matter removed;

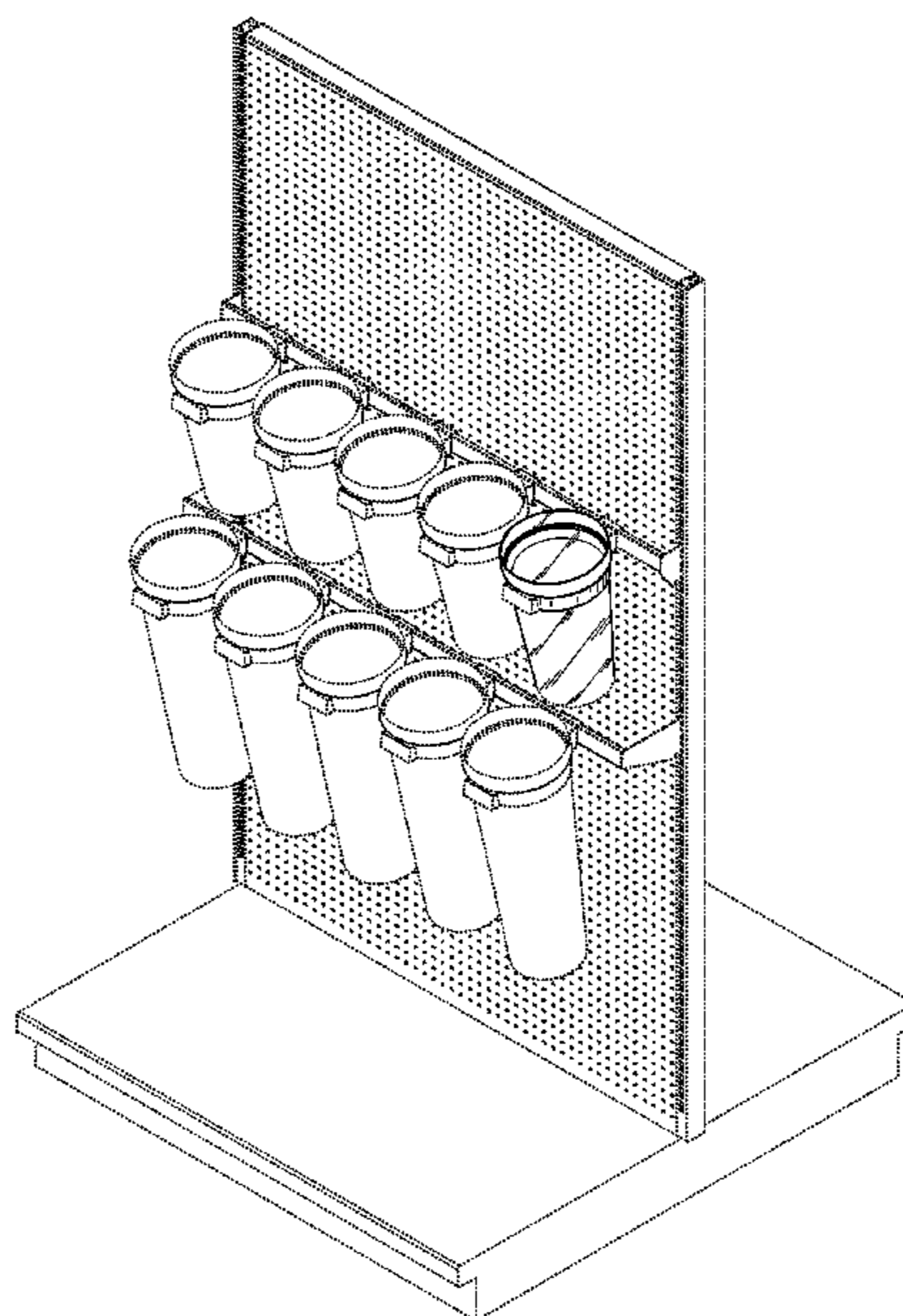
FIG. 4 is a front view of the display fixture illustrated in FIG.  
1 with some of the unclaimed subject matter removed;

FIG. 5 is a top view of the display fixture illustrated in FIG. 1  
with some of the unclaimed subject matter removed; and,

FIG. 6 is a bottom view of the display fixture illustrated in  
FIG. 1 with some of the unclaimed subject matter removed.

The broken lines are included for purposes of illustration and  
form no part of the claimed design.

**1 Claim, 4 Drawing Sheets**



# US D670,103 S

Page 2

---

## U.S. PATENT DOCUMENTS

D453,447	S *	2/2002	Bi	.....	D7/531	D587,523	S *	3/2009	Moon	.....	D7/396.2
D479,060	S *	9/2003	Wetzel	.....	D6/469	7,665,618	B2 *	2/2010	Jay et al.	.....	211/59.2
7,014,280	B2	3/2006	Borgen et al.			D631,679	S *	2/2011	Woelfel	.....	D6/474
7,017,759	B1 *	3/2006	Friend	.....	211/75	D637,421	S *	5/2011	Theisen et al.	.....	D6/478
7,124,898	B2 *	10/2006	Richter et al.	.....	211/59.3	D640,094	S *	6/2011	Carlson et al.	.....	D7/510
D534,013	S	12/2006	Jahnke			D642,863	S *	8/2011	Tobias	.....	D7/510
D548,526	S *	8/2007	Huffman et al.	.....	D7/523	D655,573	S *	3/2012	O'Connor	.....	D7/532
D557,072	S *	12/2007	Lim	.....	D7/505	2006/0043038	A1	3/2006	Wetzel et al.		
D580,193	S *	11/2008	Sparkowski	.....	D6/463						

\* cited by examiner

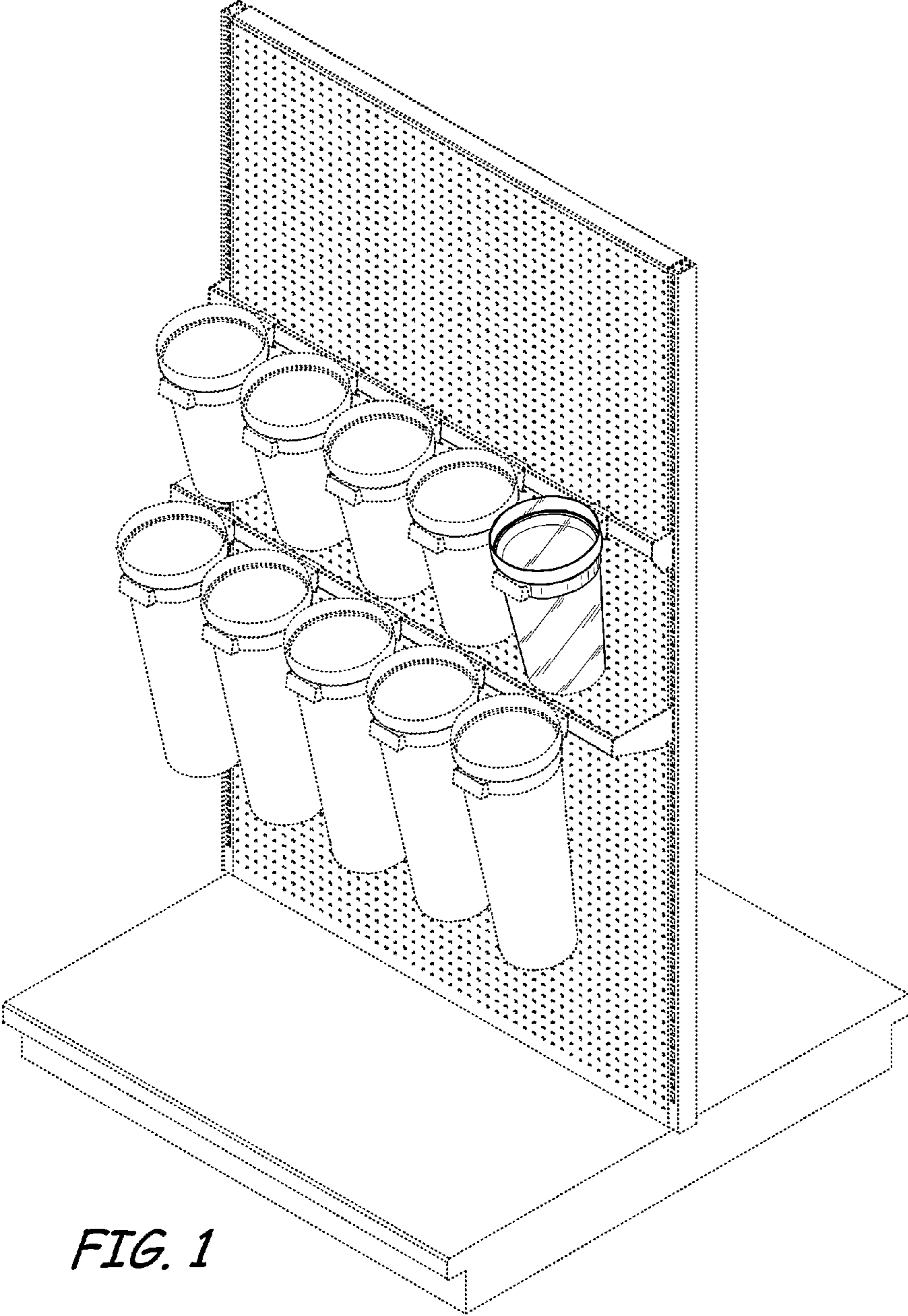
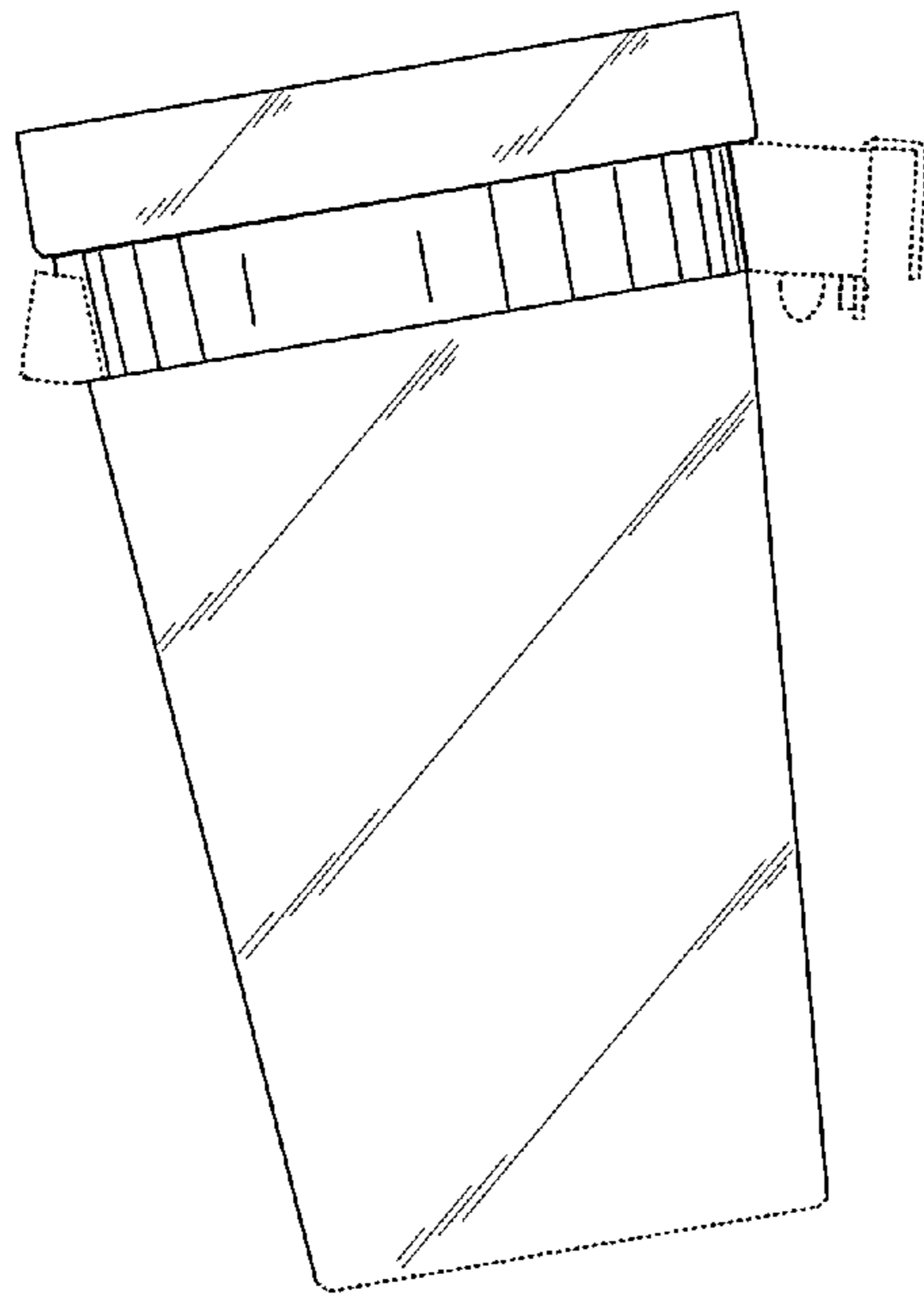
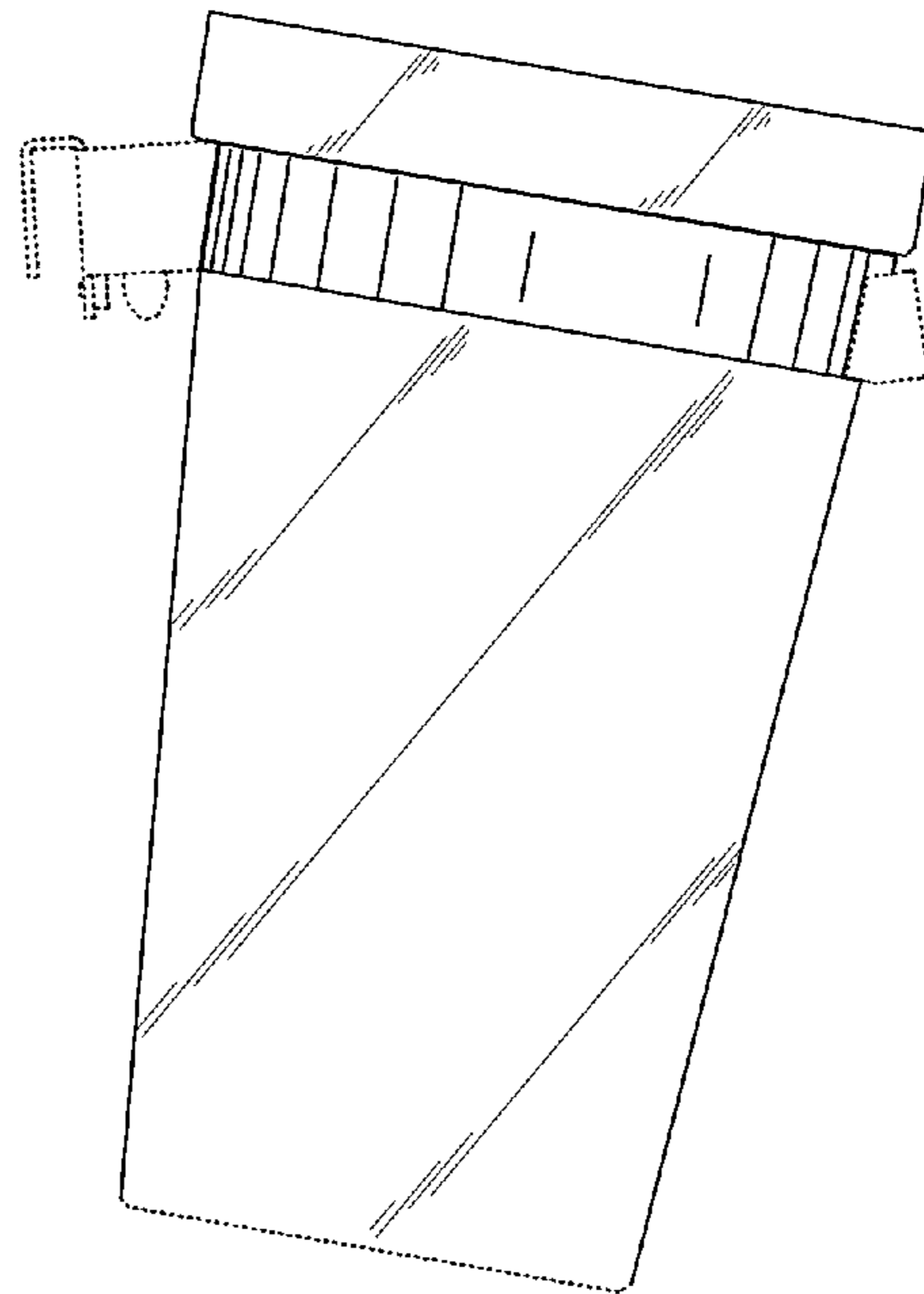


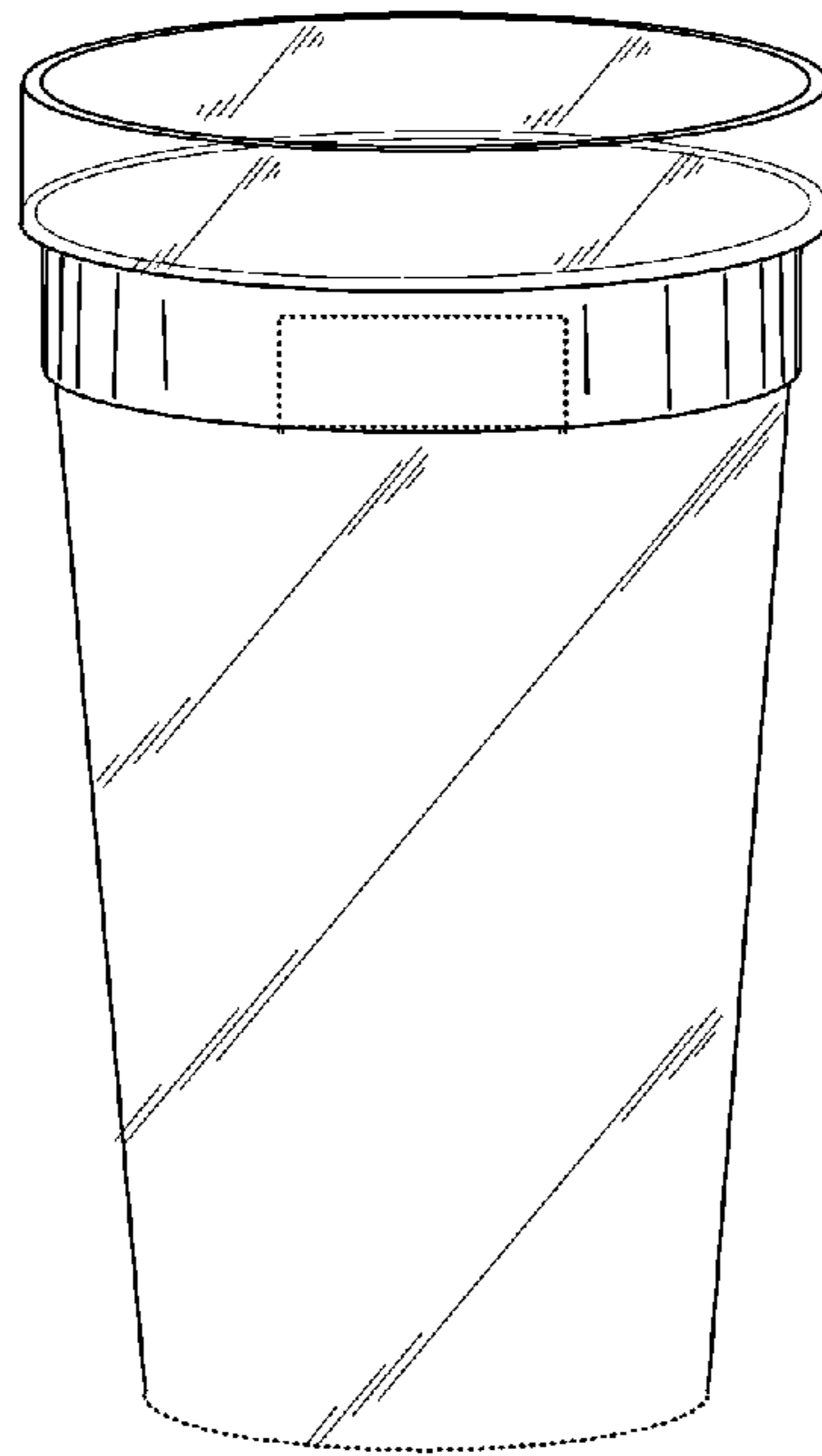
FIG. 1



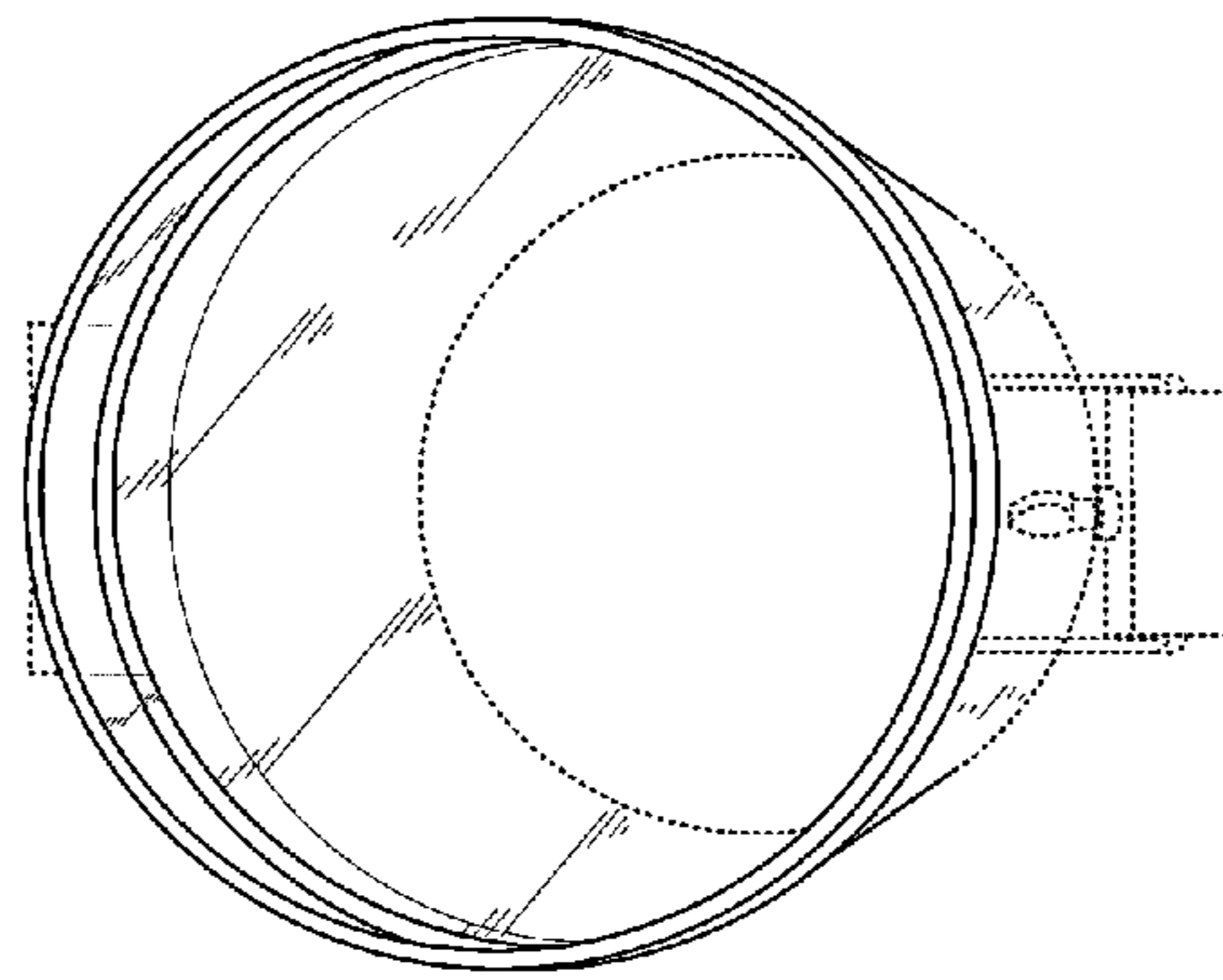
*FIG. 2*



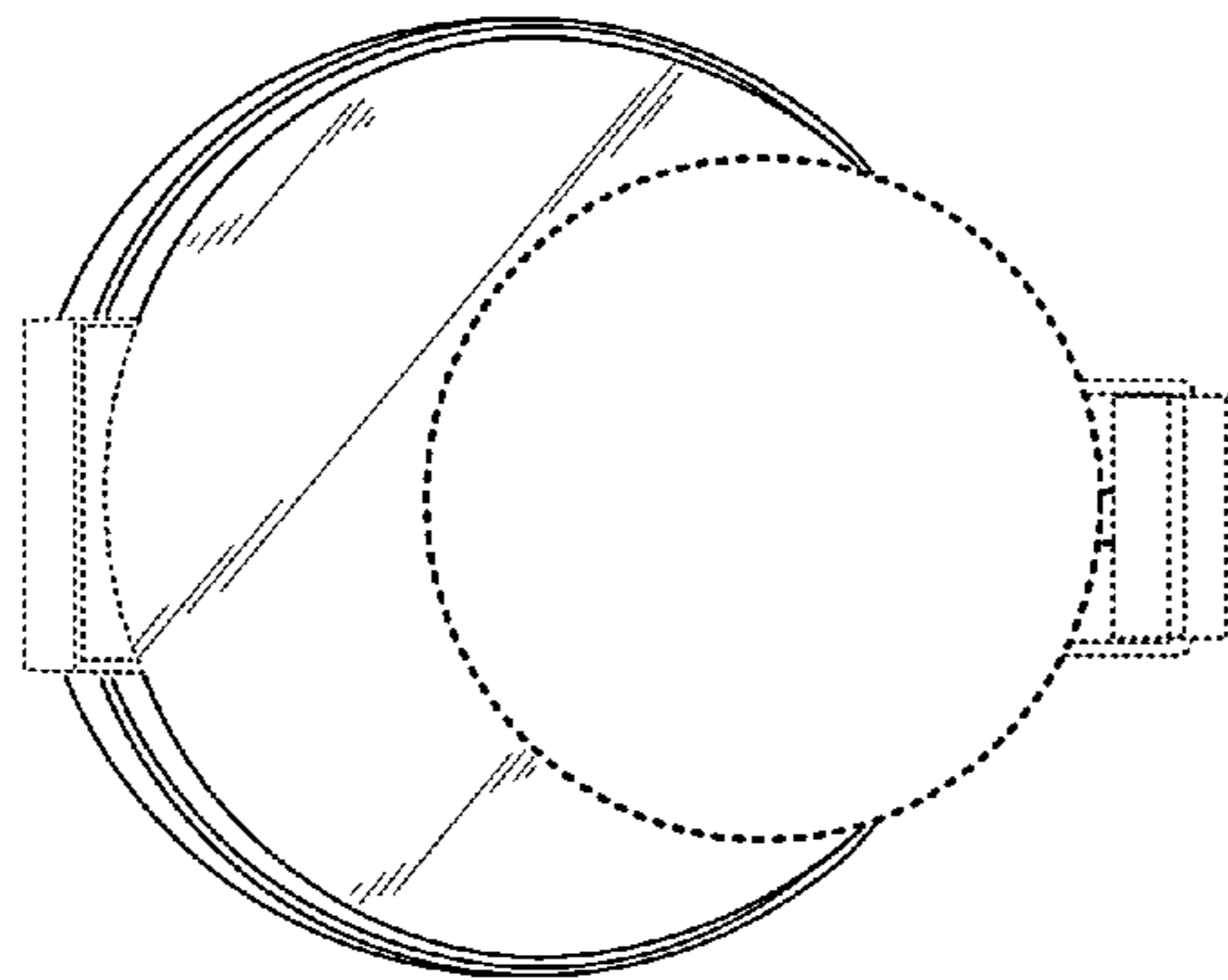
*FIG. 3*



*FIG. 4*



*FIG. 5*



*FIG. 6*