



US00D670101S

(12) **United States Design Patent**
Krusin

(10) **Patent No.:** **US D670,101 S**

(45) **Date of Patent:** **** Nov. 6, 2012**

(54) **CHAIR**

(75) Inventor: **Marc Krusin**, London (GB)

(73) Assignee: **Knoll, Inc.**, East Greenville, PA (US)

(**) Term: **14 Years**

(21) Appl. No.: **29/393,682**

(22) Filed: **Jun. 8, 2011**

(51) **LOC (9) Cl.** **06-01**

(52) **U.S. Cl.** **D6/379; D6/380**

(58) **Field of Classification Search** D6/334-336,
D6/360, 370, 371-373, 374, 375, 376, 379,
D6/380, 500-502; 297/411.28, 411.42, 411.43,
297/445.1, 446.1, 452.21, 452.63
See application file for complete search history.

(56) **References Cited**

U.S. PATENT DOCUMENTS

D165,788 S *	1/1952	Risom	D6/379
D193,842 S *	10/1962	Ohlsson	D6/379
D333,925 S	3/1993	Ricchio, Jr. et al.	
D363,823 S	11/1995	Ricchio, Jr.	
D396,365 S *	7/1998	Lizell	D6/500
D520,255 S *	5/2006	King	D6/370
D524,072 S *	7/2006	King	D6/380
D542,046 S *	5/2007	Pesso	D6/379
D543,373 S *	5/2007	Schweikarth et al.	D6/379
D571,119 S	6/2008	Leonetti et al.	
D580,676 S *	11/2008	Cramer et al.	D6/379
D585,208 S *	1/2009	Stiker Metral	D6/380
D647,320 S *	10/2011	Young	D6/380

D651,014 S *	12/2011	Jordan et al.	D6/374
D651,015 S *	12/2011	Jordan et al.	D6/379
D654,718 S *	2/2012	Schweikarth	D6/379

* cited by examiner

Primary Examiner — Mimoso De

(74) *Attorney, Agent, or Firm* — Buchanan Ingersoll & Rooney PC

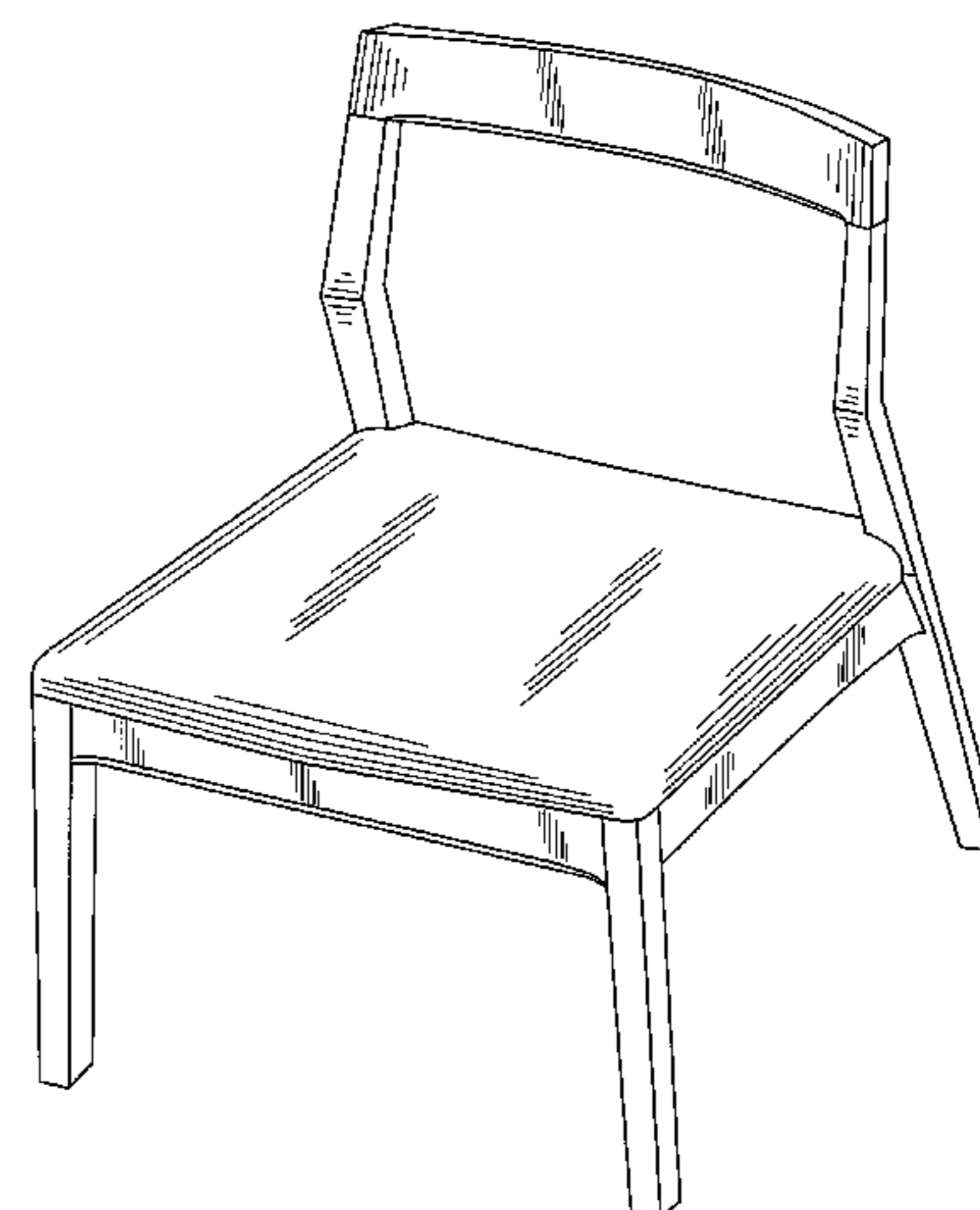
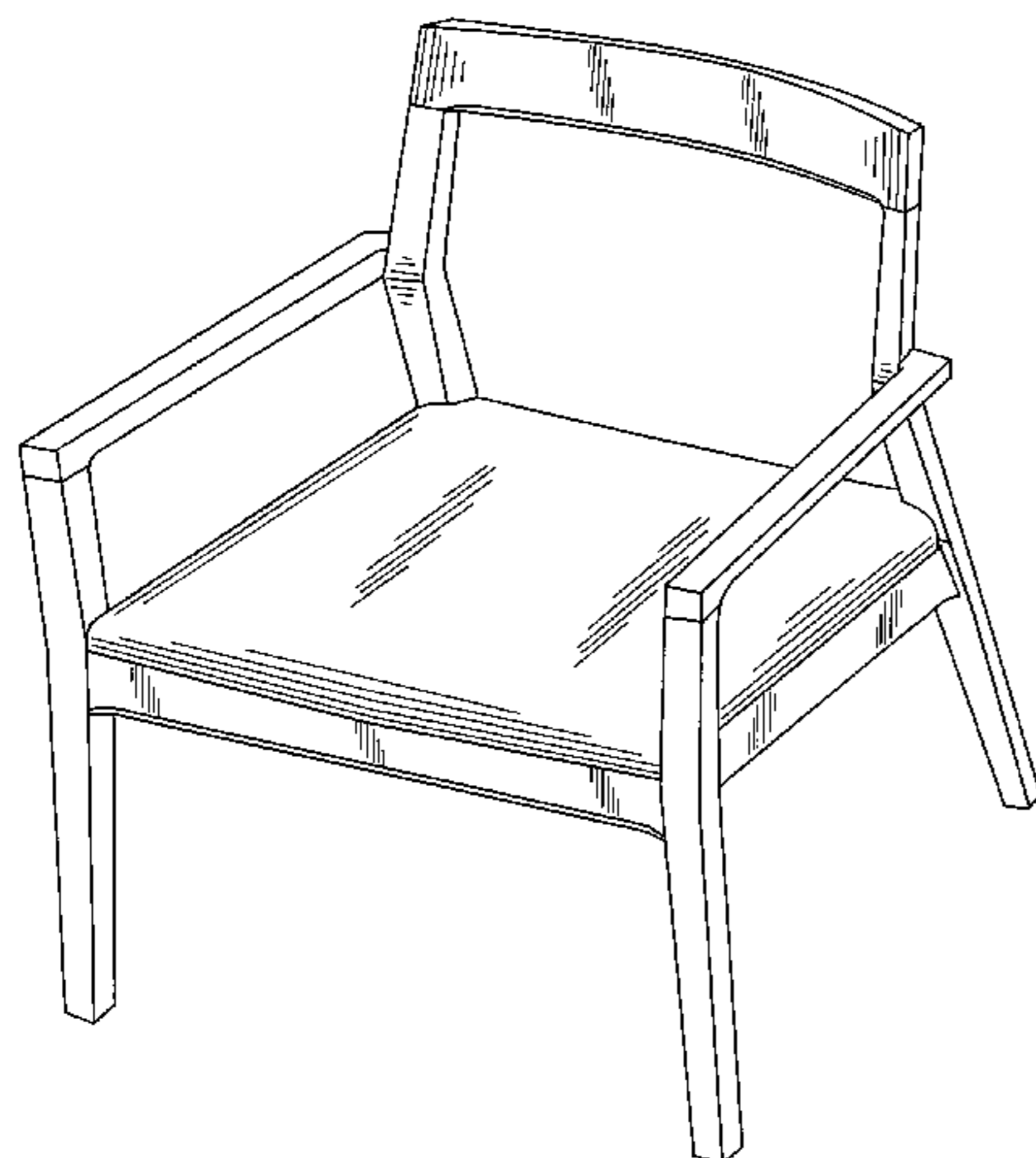
(57) **CLAIM**

The ornamental design for a chair, as shown and described.

DESCRIPTION

FIG. 1 is a perspective view of a chair showing my new design;
 FIG. 2 is a front elevational view thereof;
 FIG. 3 is a rear elevational view thereof;
 FIG. 4 is a top plan view thereof;
 FIG. 5 is a bottom plan view thereof;
 FIG. 6 is a right side elevational view thereof;
 FIG. 7 is a left side elevational view thereof;
 FIG. 8 is a perspective view of an alternate embodiment of a chair without arms showing my new design;
 FIG. 9 is a front elevational view thereof;
 FIG. 10 is a rear elevational view thereof;
 FIG. 11 is a top plan view thereof;
 FIG. 12 is a bottom plan view thereof;
 FIG. 13 is a right side elevational view thereof; and,
 FIG. 14 is a left side elevational view thereof.
 The phantom lines in FIGS. 2 and 9 are for illustrative purposes only to show a sample lid and form no part of the design.

1 Claim, 14 Drawing Sheets



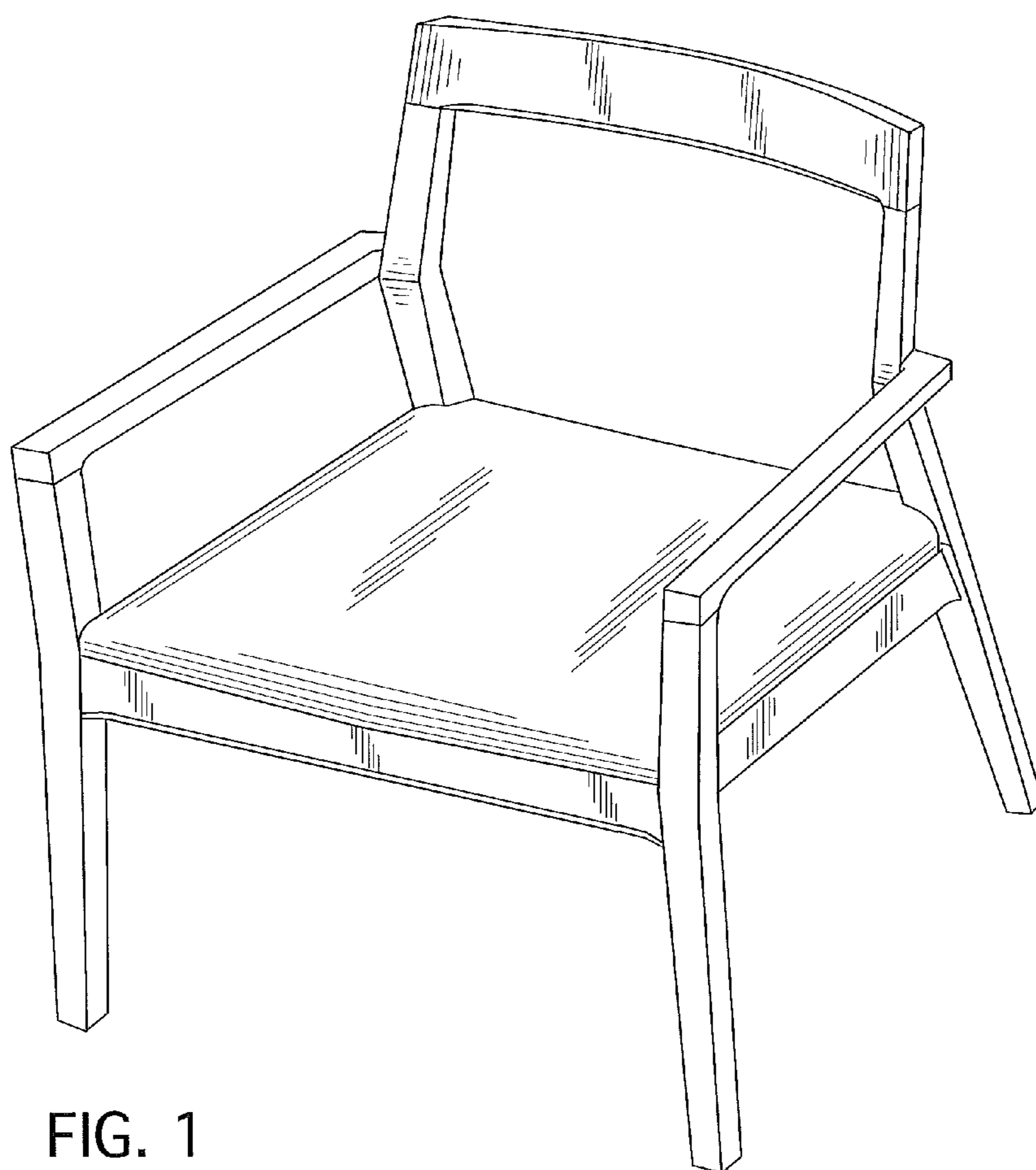


FIG. 1

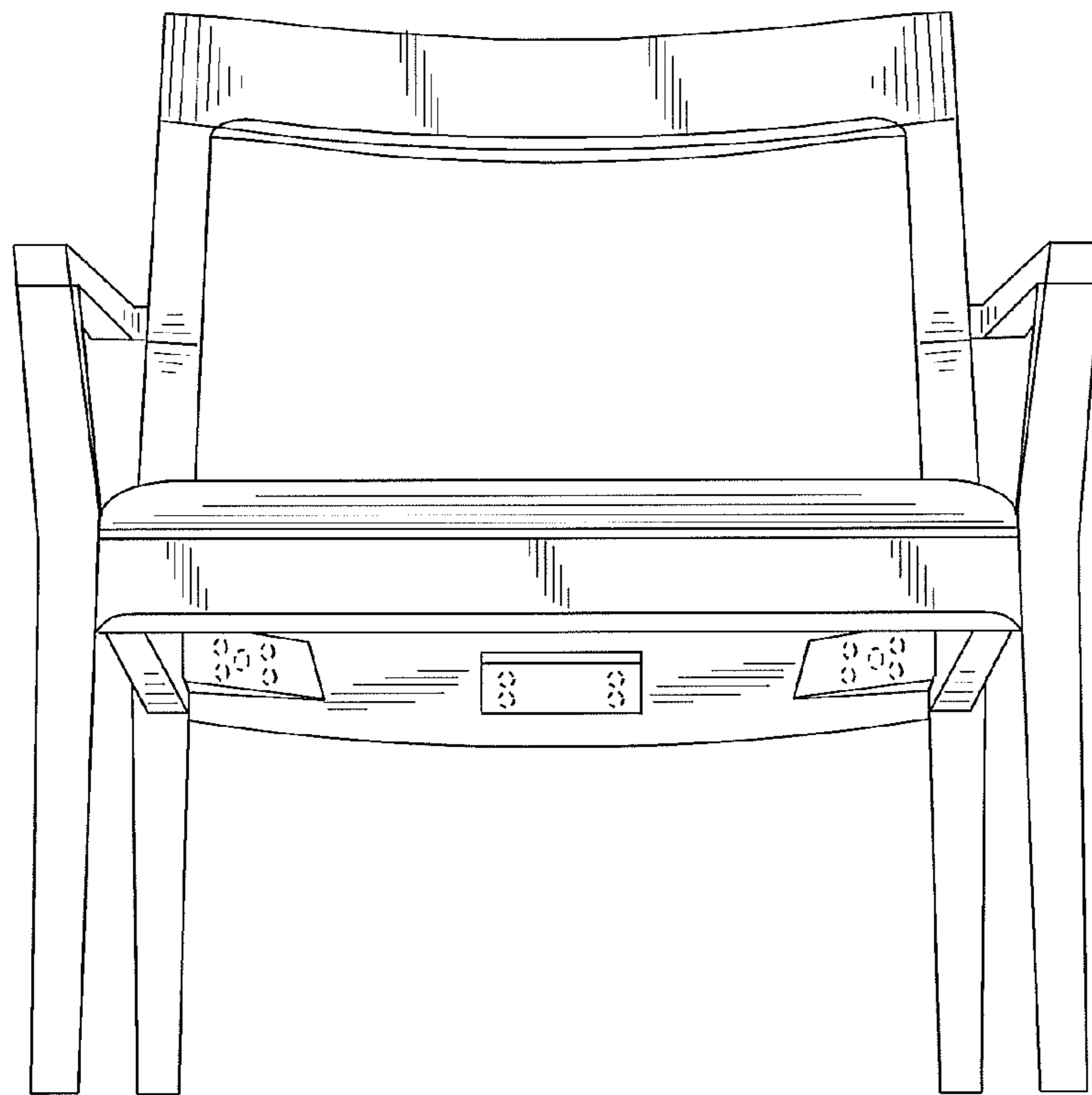


FIG. 2

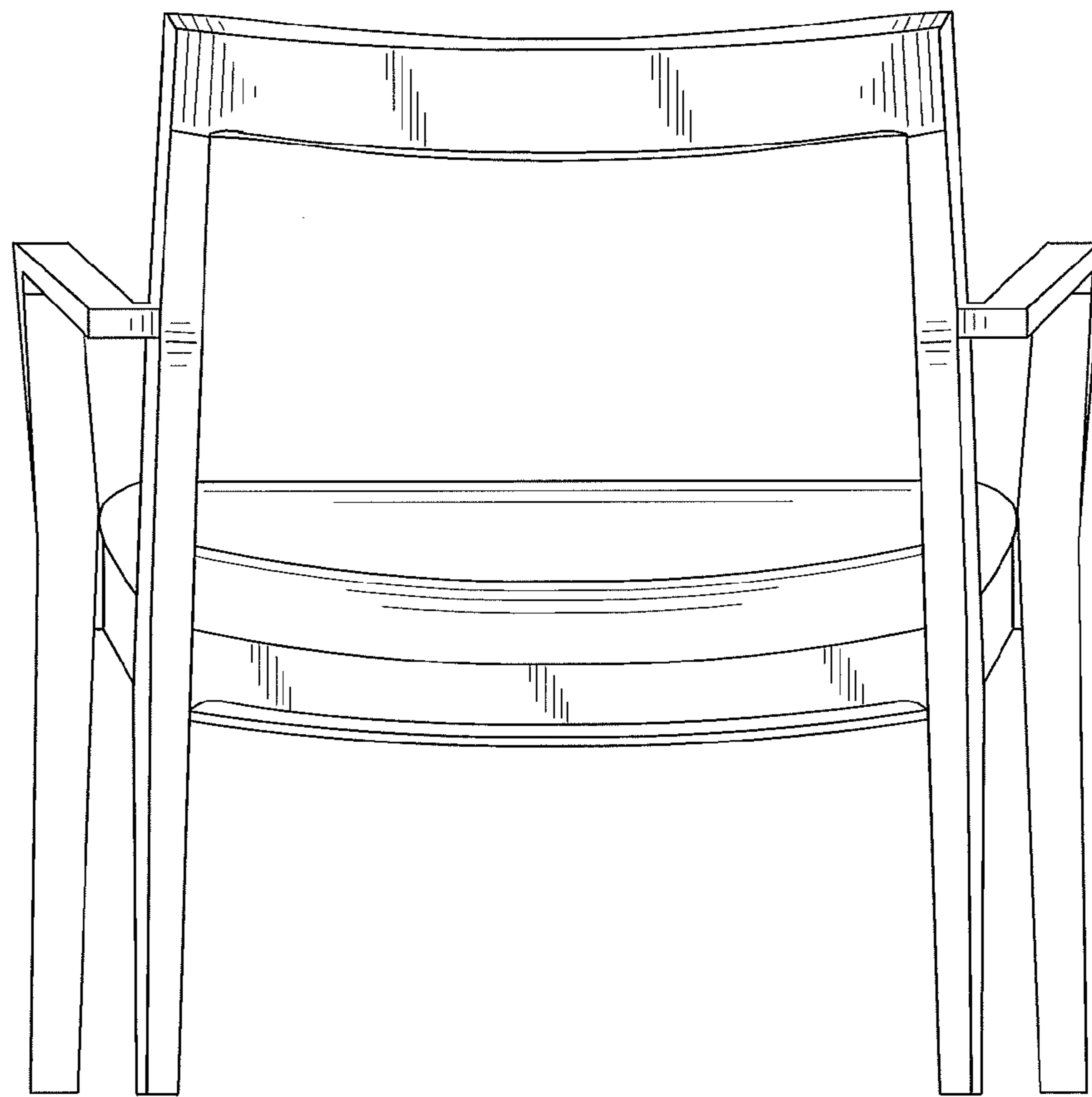


FIG. 3

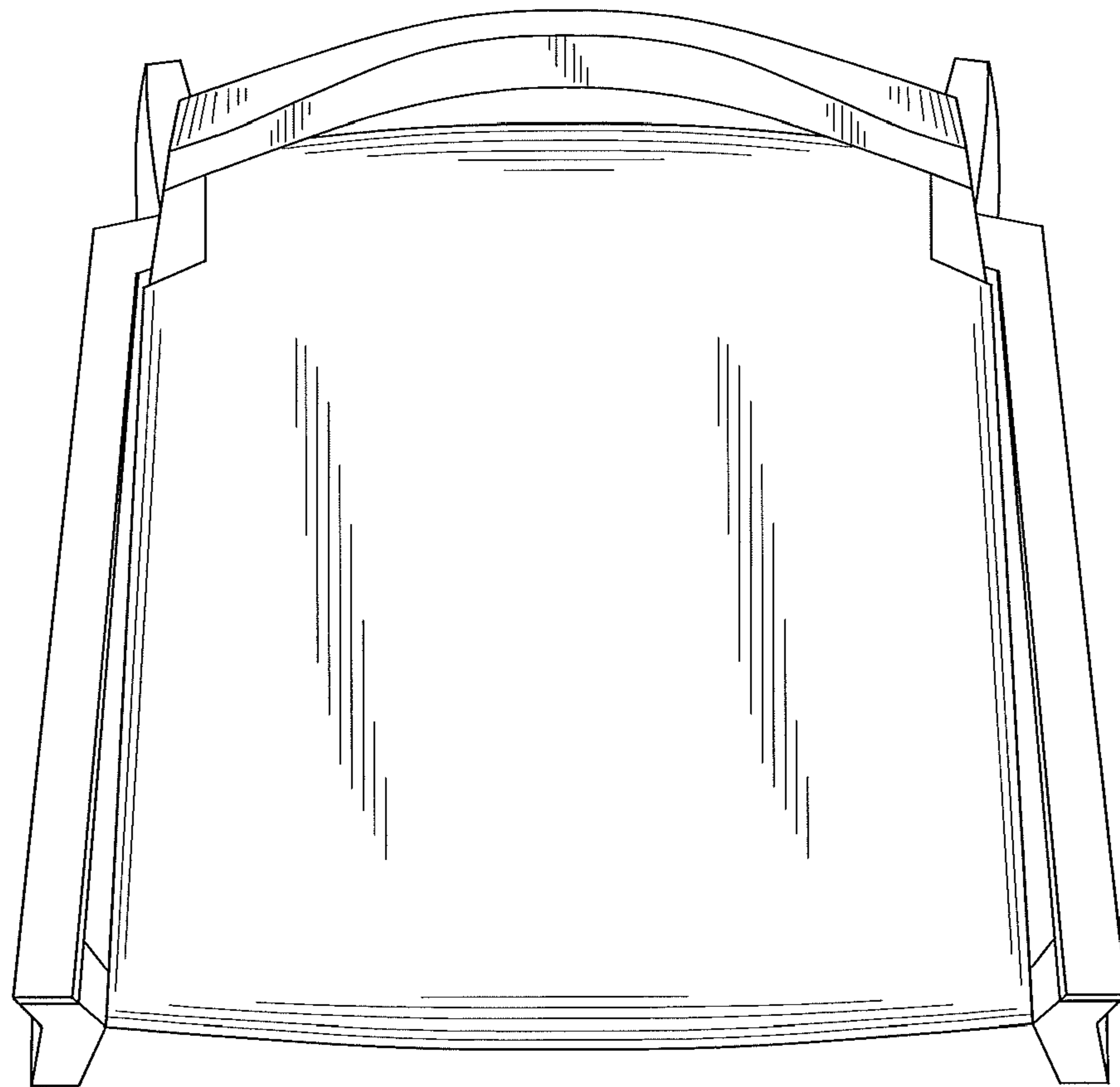


FIG. 4

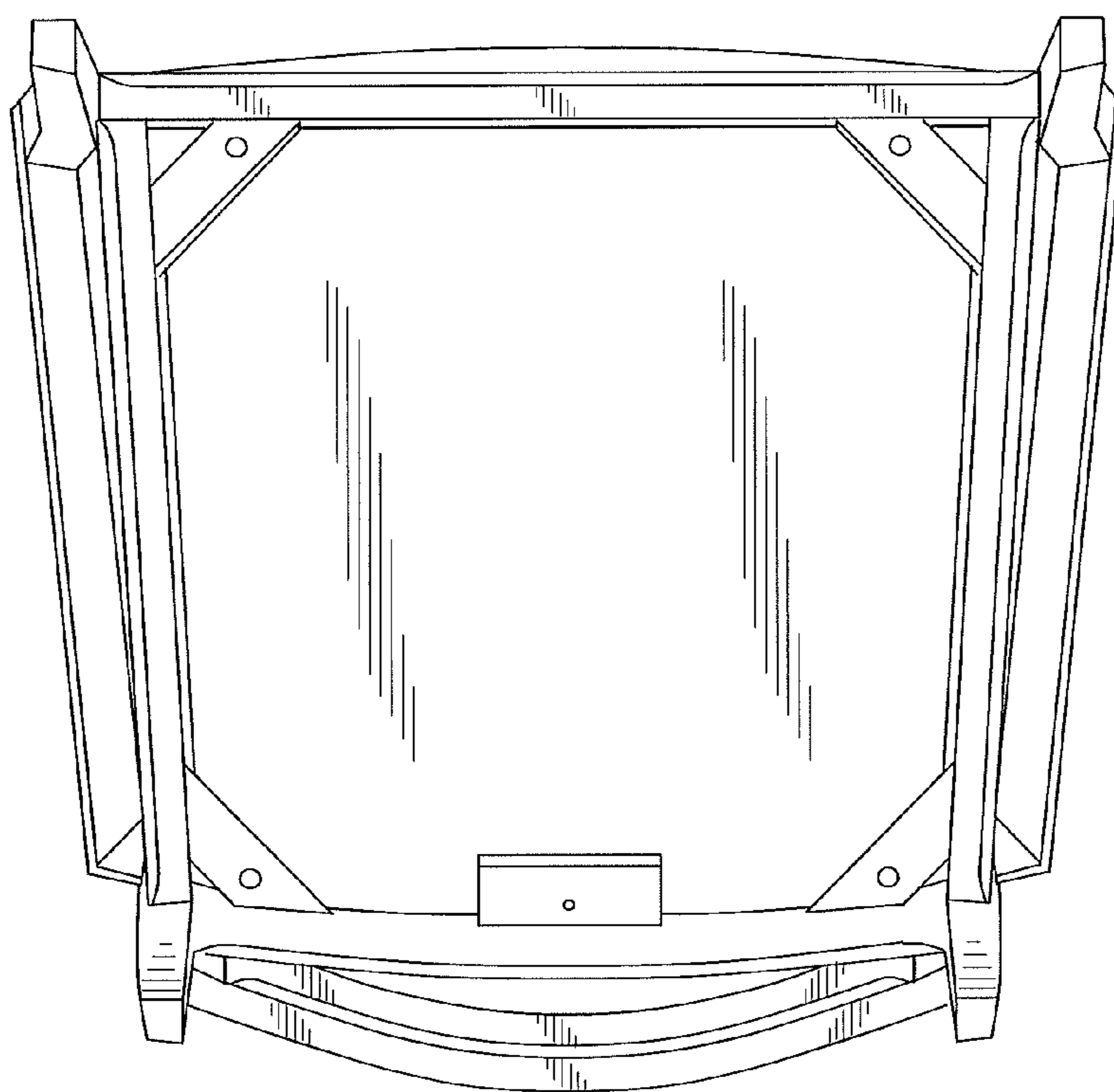


FIG. 5

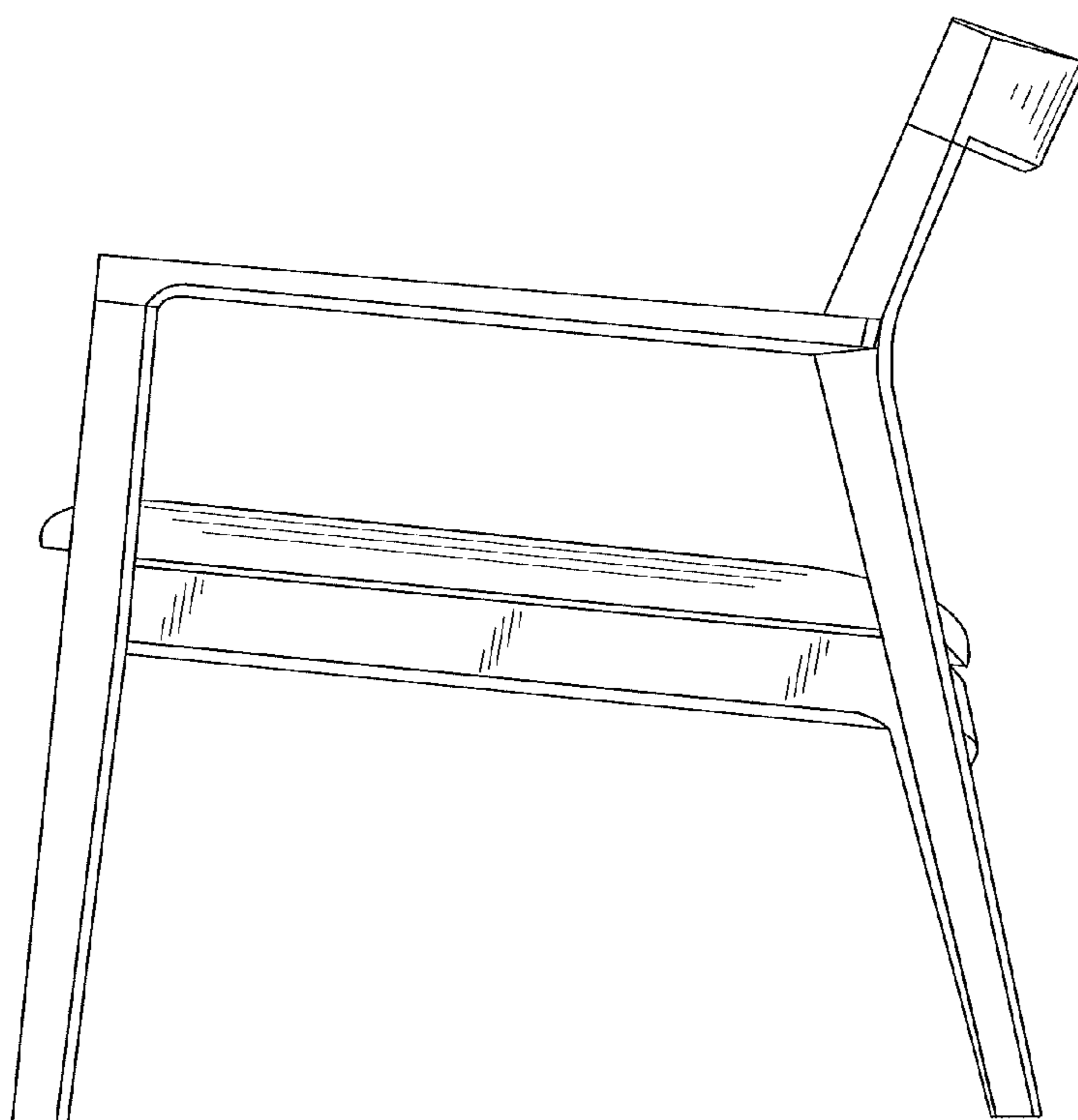


FIG. 6

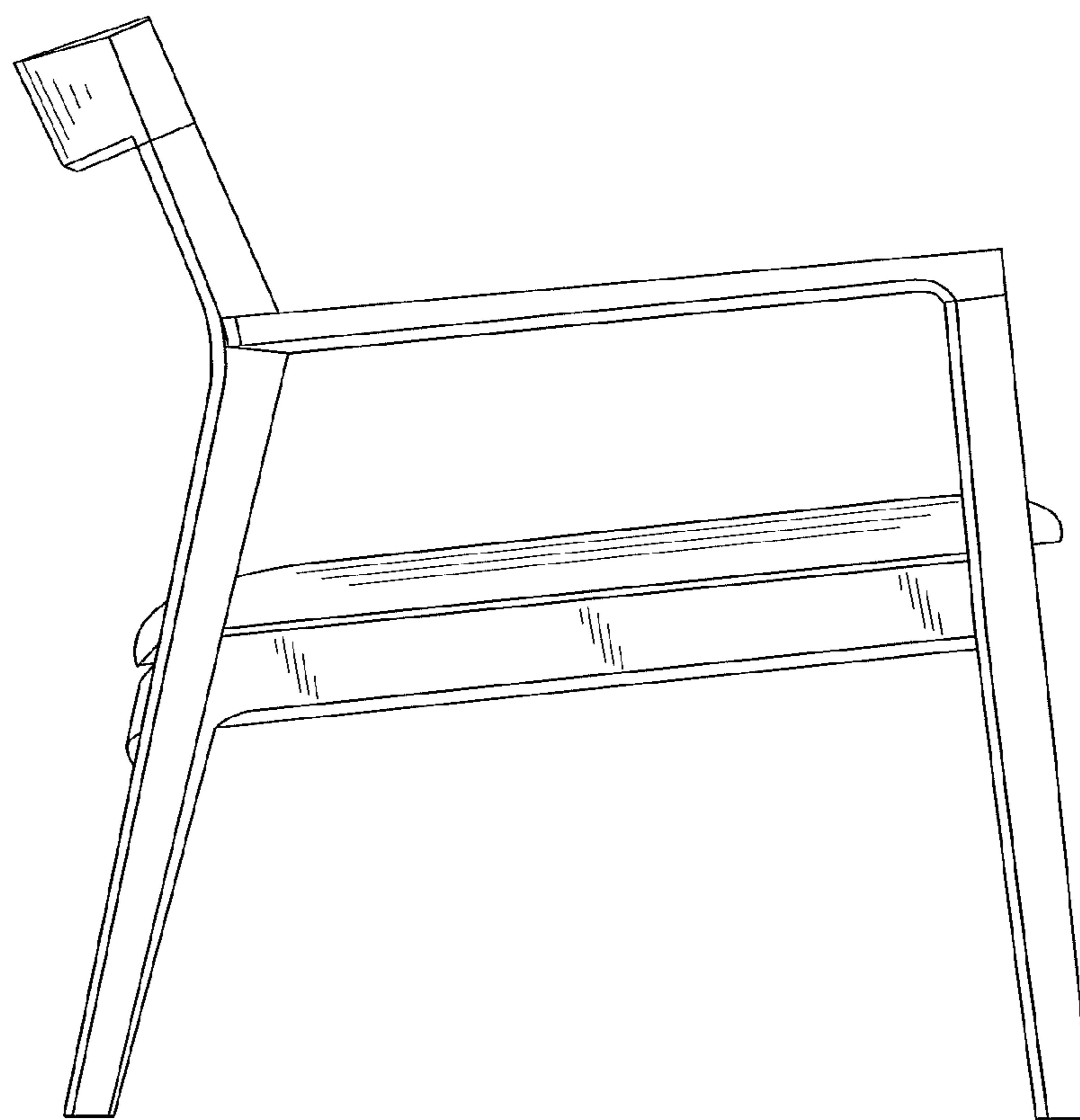


FIG. 7

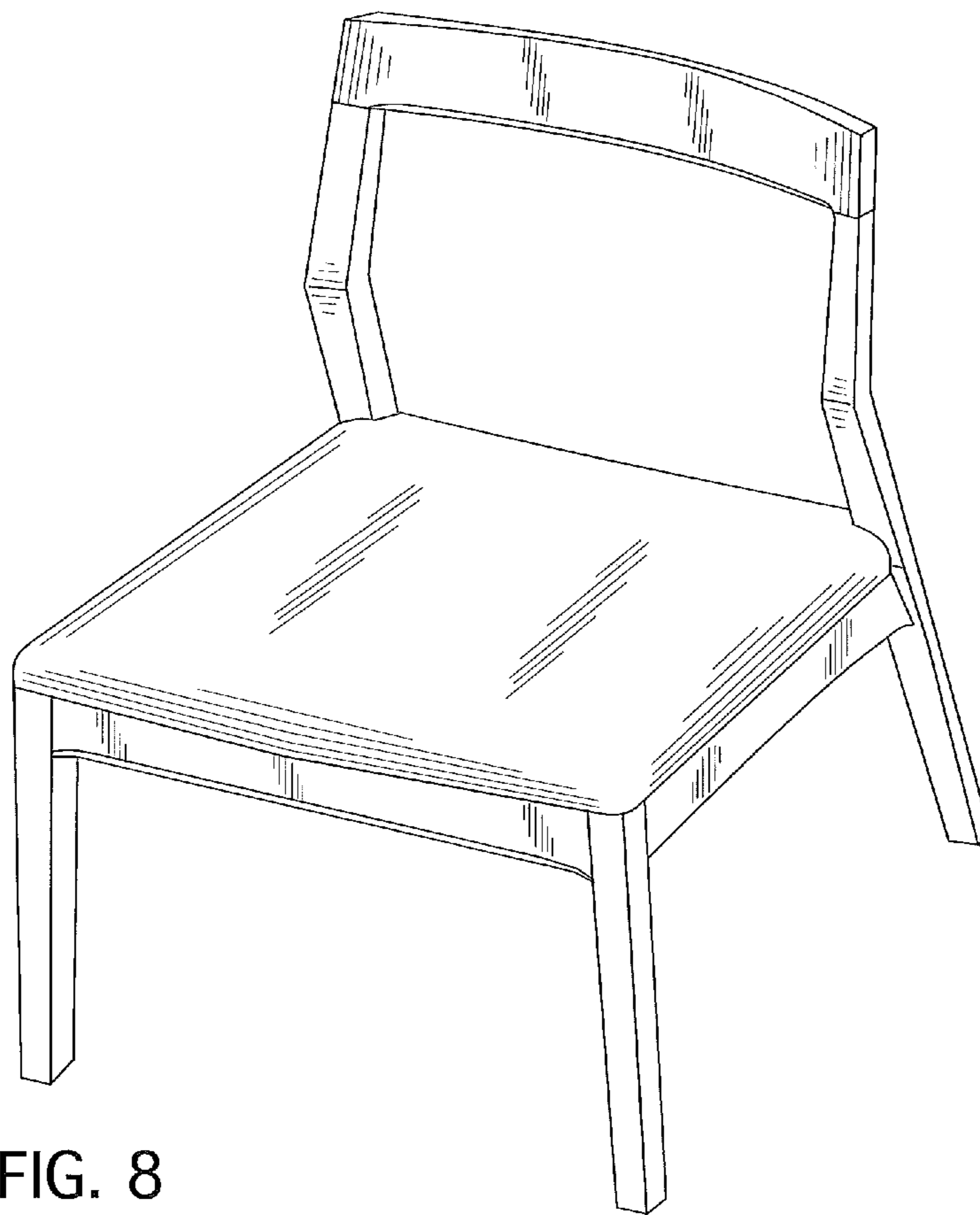


FIG. 8

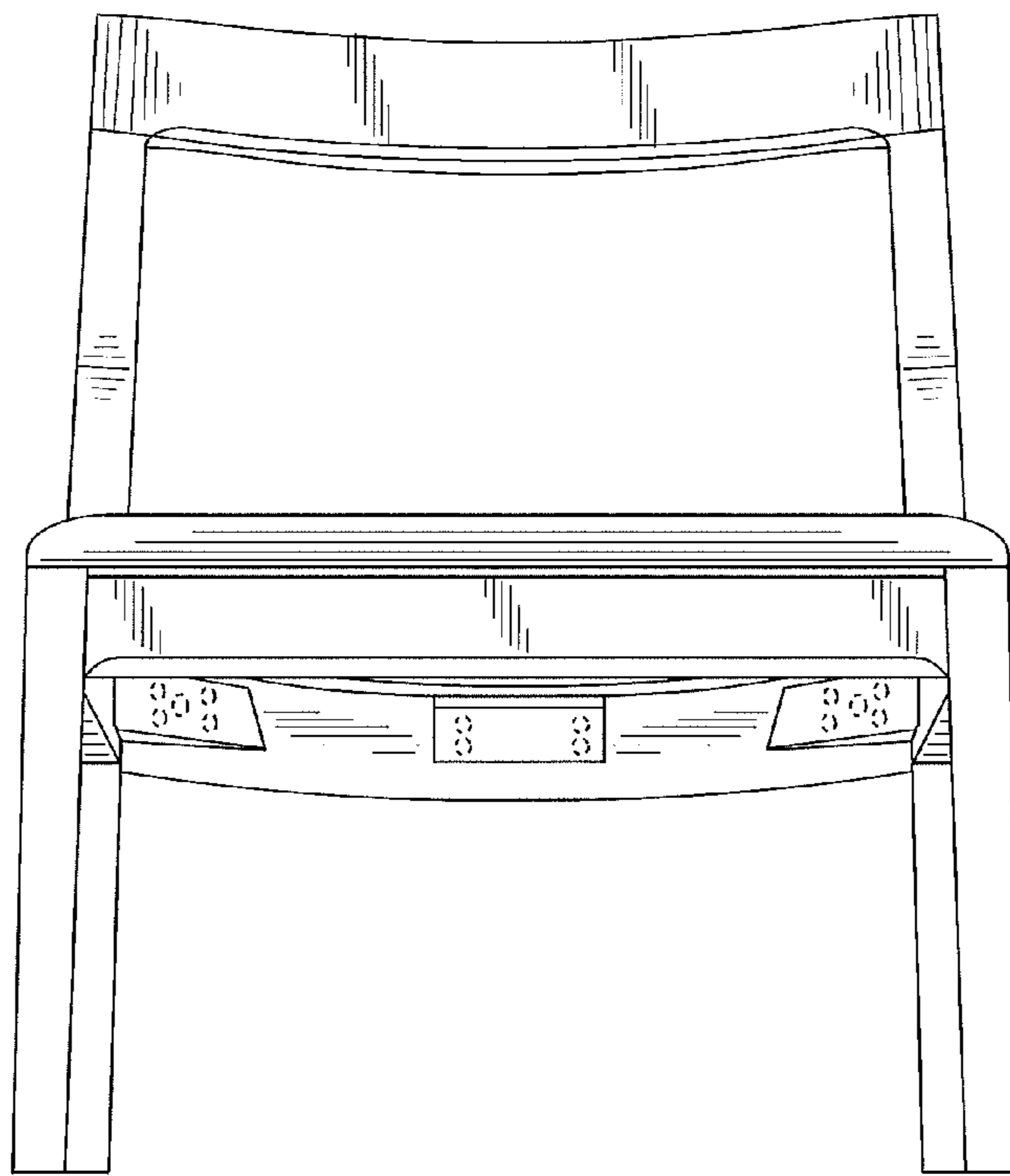


FIG. 9

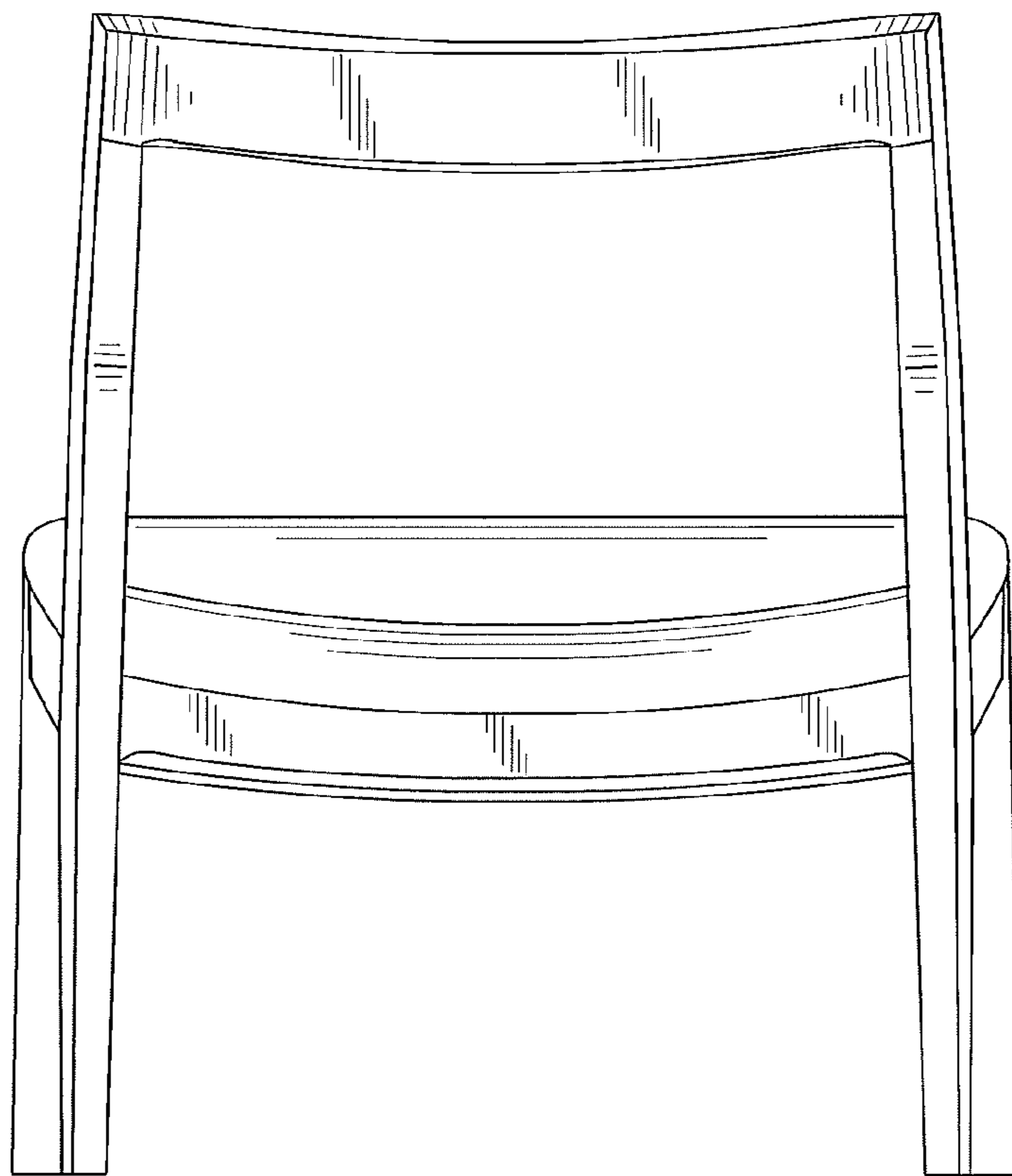


FIG. 10

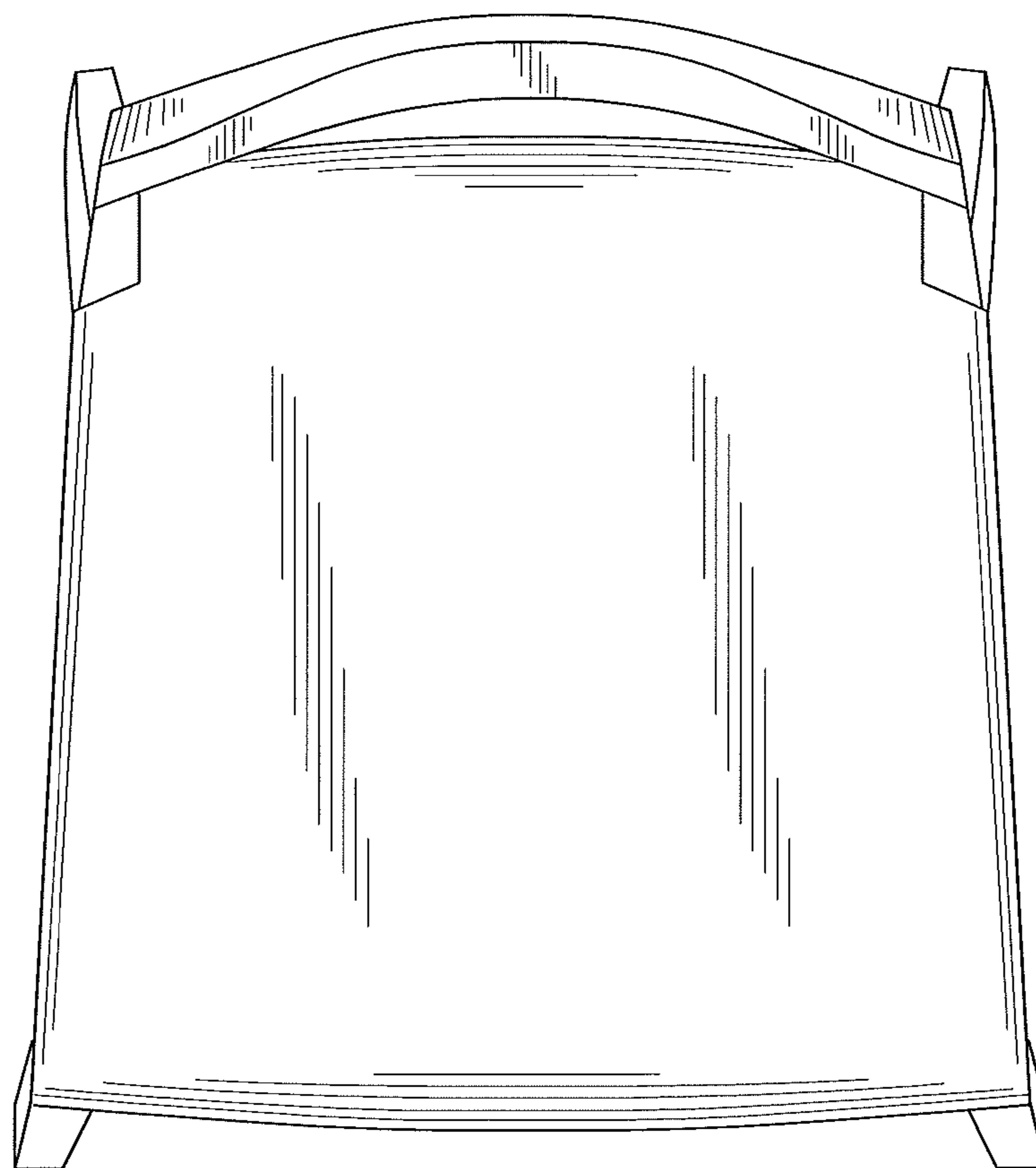


FIG. 11

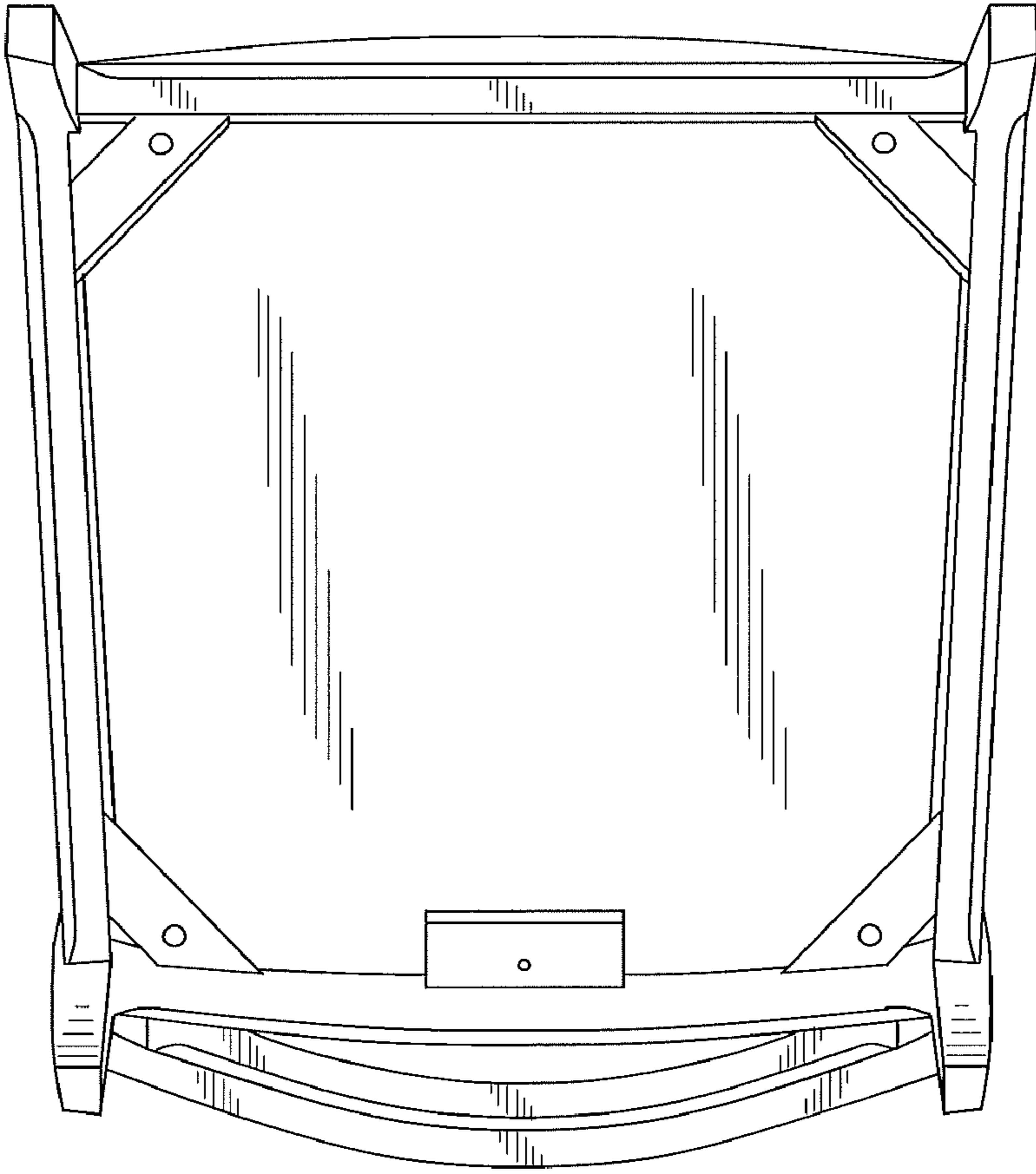


FIG. 12

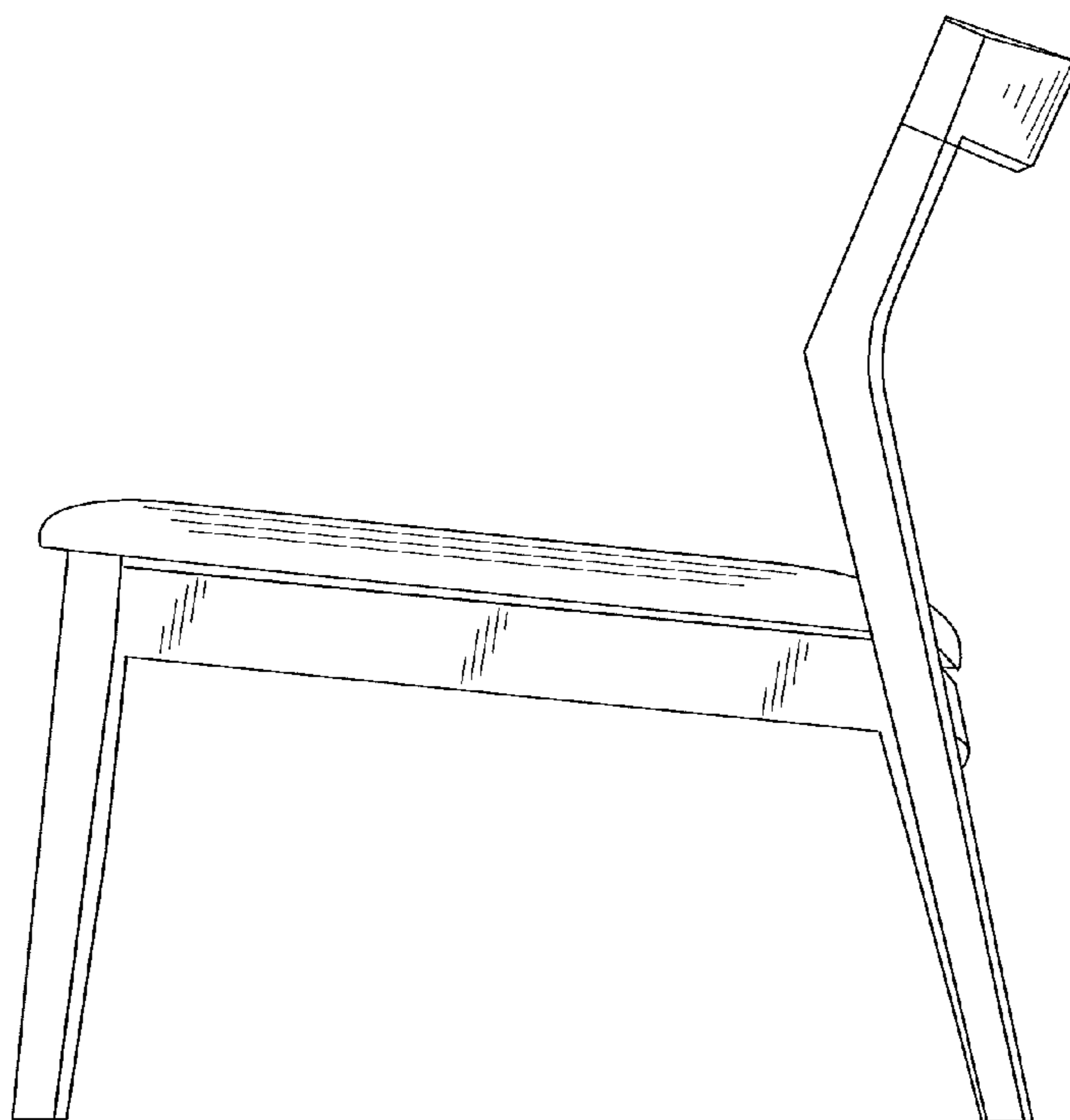


FIG. 13

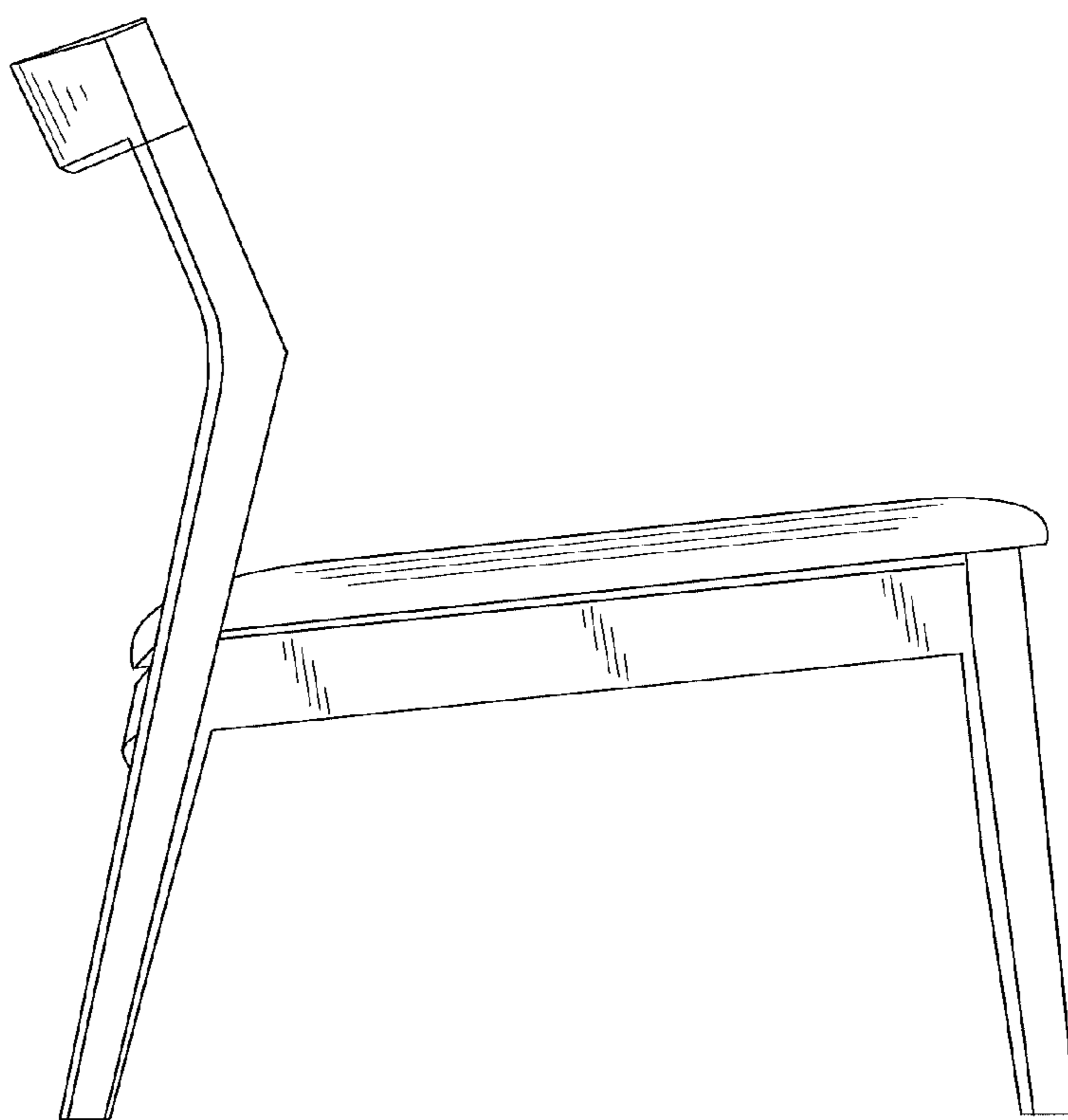


FIG. 14