



US00D670097S

(12) **United States Design Patent**
Citterio

(10) **Patent No.:** **US D670,097 S**
(45) **Date of Patent:** **** Nov. 6, 2012**

(54) **ARMCHAIR**

(75) Inventor: **Antonio Citterio**, Milan (IT)

(73) Assignee: **B&B Italia S.p.A.**, Milan (IT)

(**) Term: **14 Years**

(21) Appl. No.: **29/403,805**

(22) Filed: **Oct. 11, 2011**

(30) **Foreign Application Priority Data**

Apr. 12, 2011 (EM) 001849415-0002

(51) **LOC (9) Cl.** **06-01**

(52) **U.S. Cl.** **D6/375; D6/379**

(58) **Field of Classification Search** D6/334-336,
D6/367, 368, 371-373, 374, 375, 376, 379,
D6/380, 500-502; 297/45, 56, 287, 411.2,
297/411.26, 445.1, 446.1, 452.12, 452.19
See application file for complete search history.

(56) **References Cited**

U.S. PATENT DOCUMENTS

D256,300 S * 8/1980 Yoshimura D6/368
4,787,672 A * 11/1988 Werner 297/287

5,112,107 A * 5/1992 Doughty 297/287
D335,970 S * 6/1993 Doughty D6/375
D456,187 S * 4/2002 Lin D6/500

* cited by examiner

Primary Examiner — Mimoso De

(74) *Attorney, Agent, or Firm* — Mintz, Levin, Cohn, Ferris,
Glovsky and Popeo, P.C.

(57) **CLAIM**

The ornamental design for an armchair, as shown and described.

DESCRIPTION

FIG. 1 is a perspective view of an armchair.

FIG. 2 is a front view of an armchair.

FIG. 3 is a side view of an armchair.

FIG. 4 is a side view of an armchair.

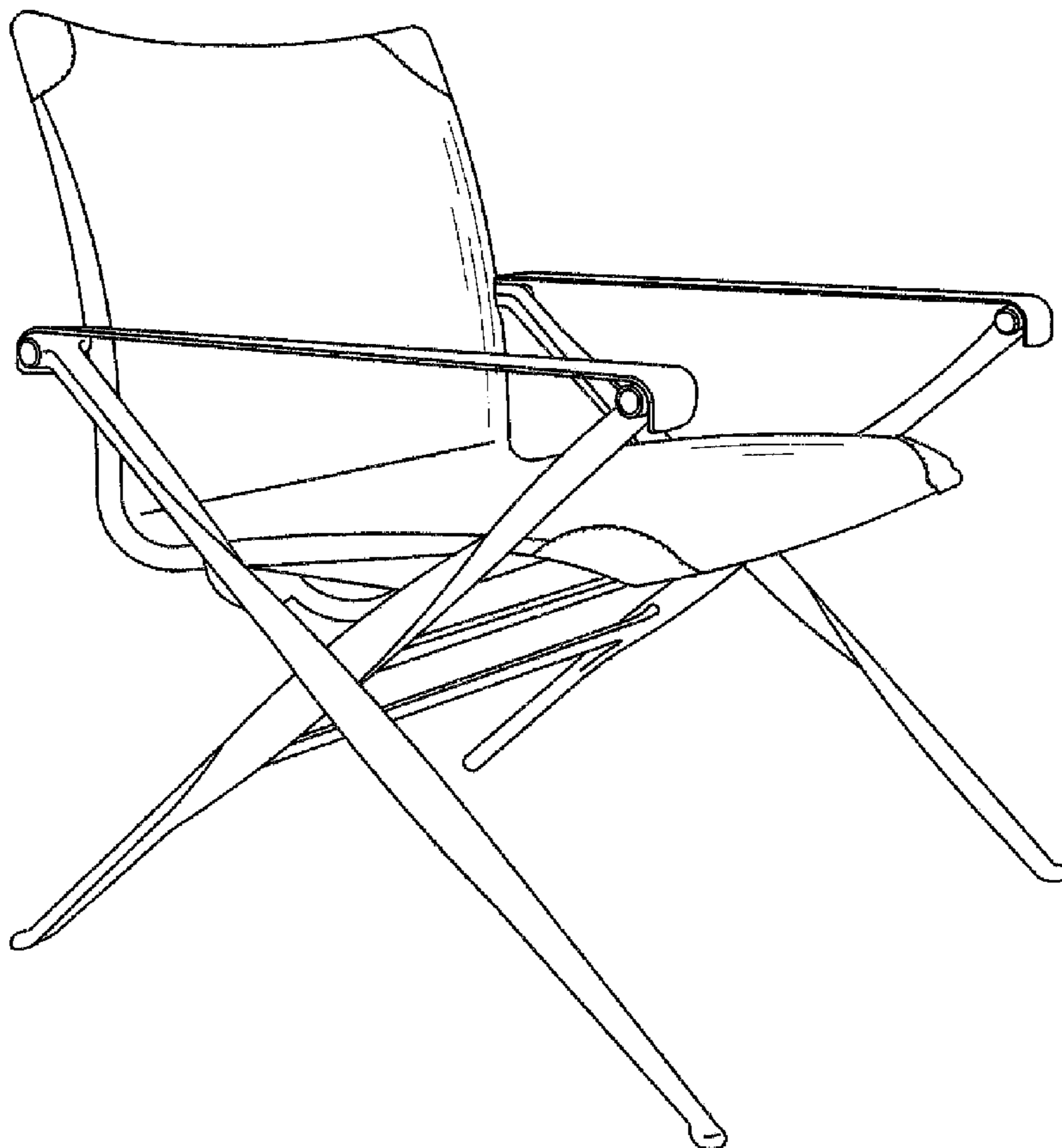
FIG. 5 is a back view of an armchair.

FIG. 6 is a top view of an armchair; and,

FIG. 7 is a bottom view of an armchair.

The broken lines shown in the drawing disclosure are for illustrative purposes only and form no part of the claimed design.

1 Claim, 7 Drawing Sheets



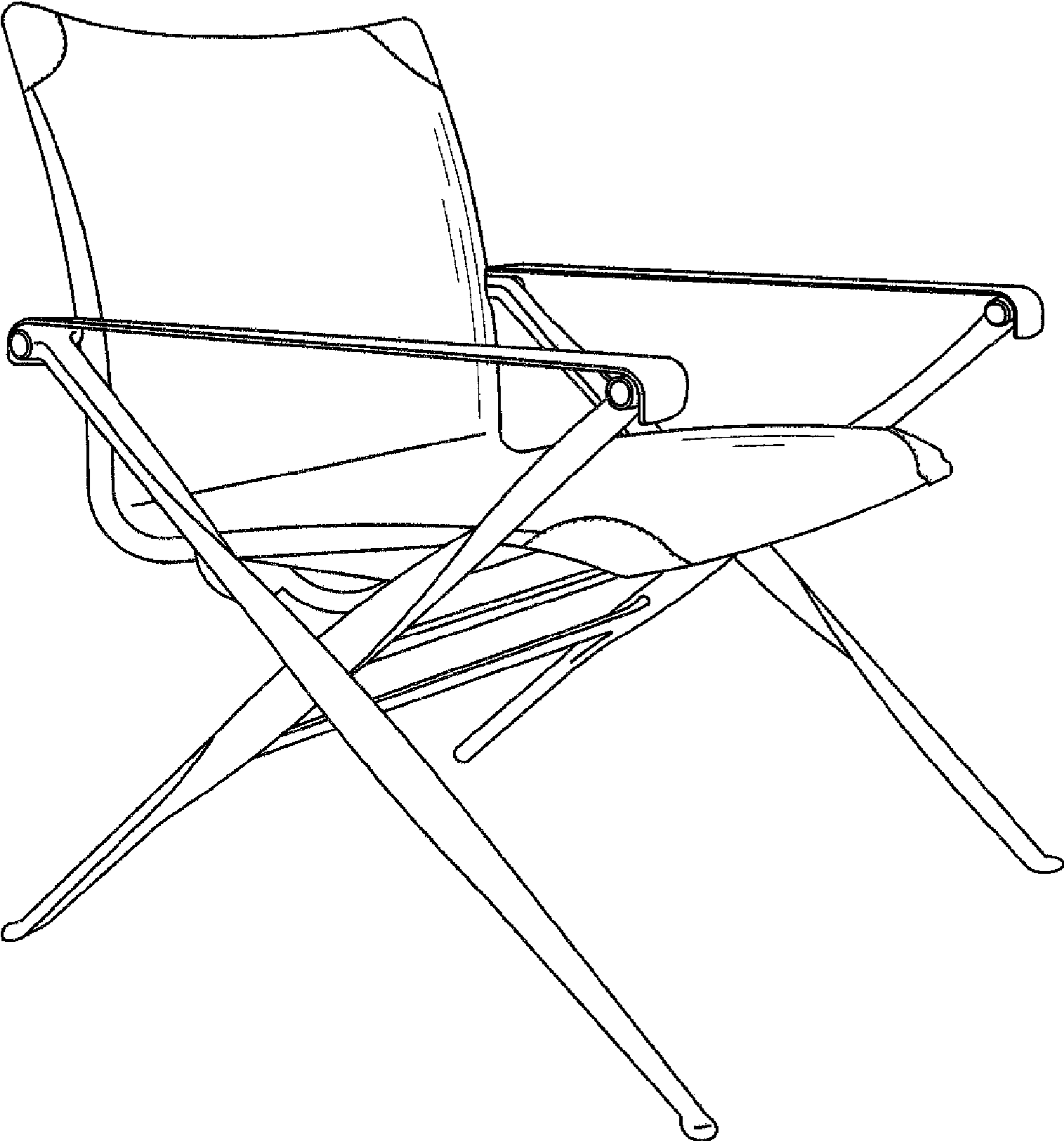


Fig. 1

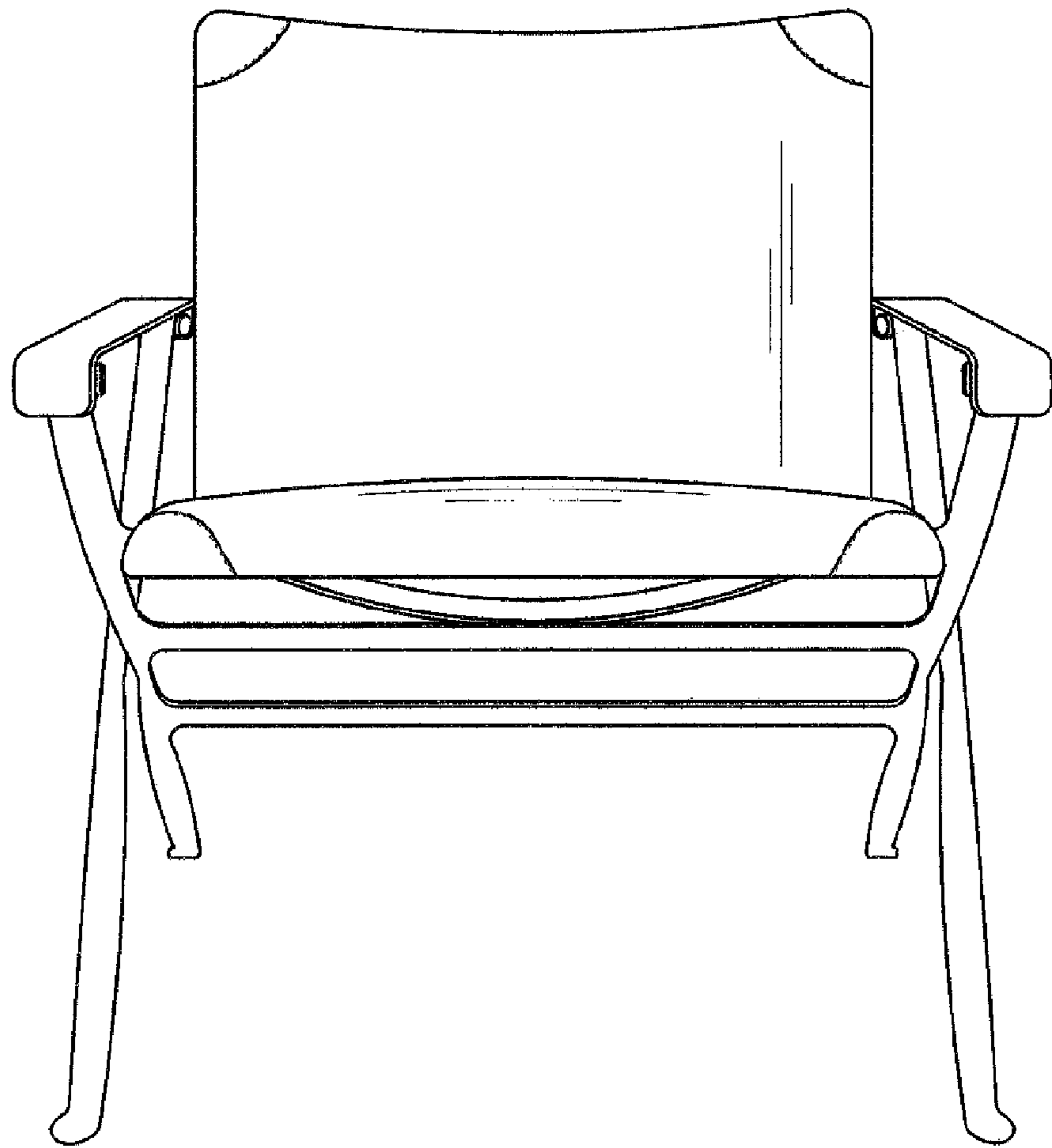


Fig. 2

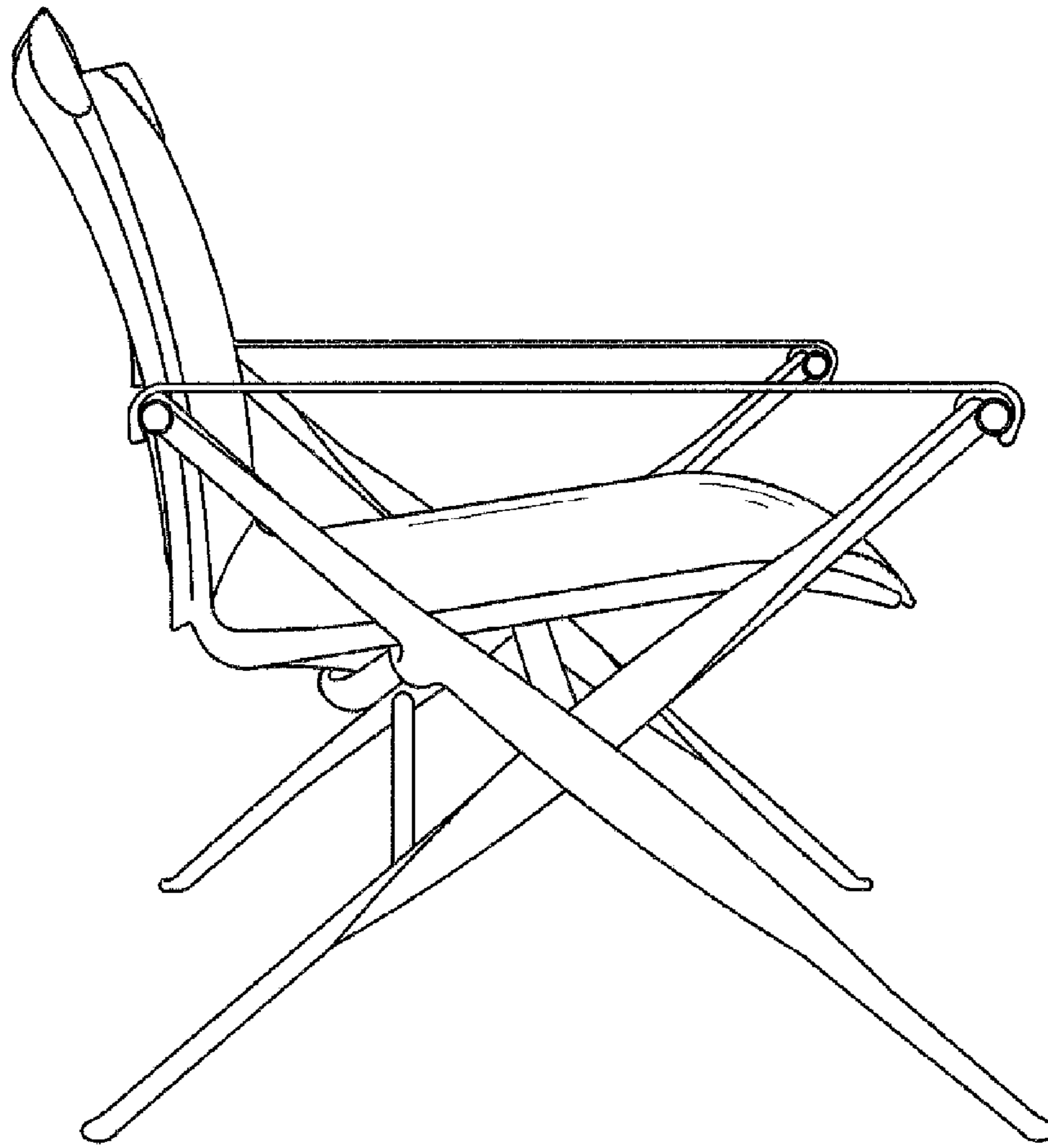


Fig. 3

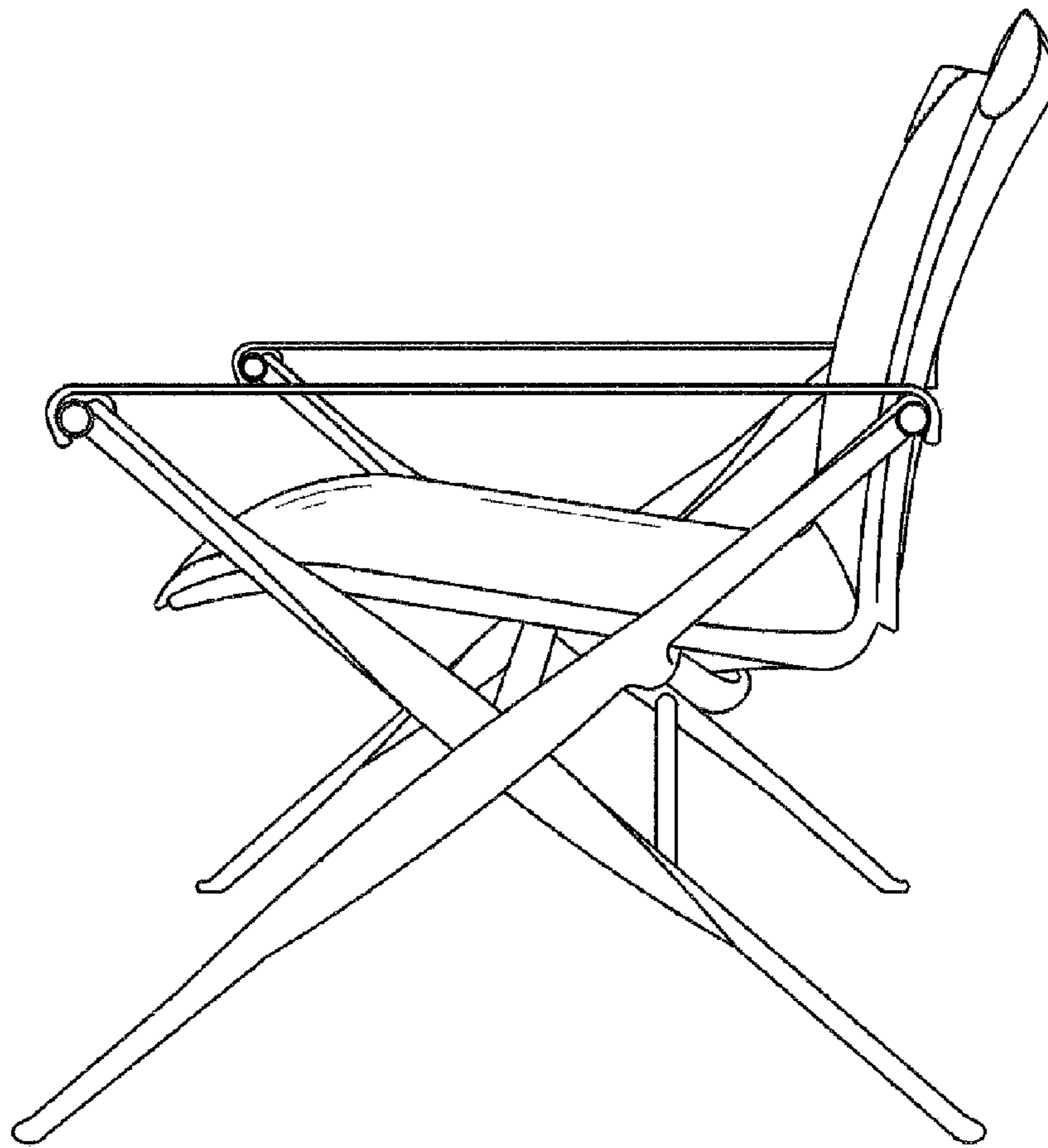


Fig. 4

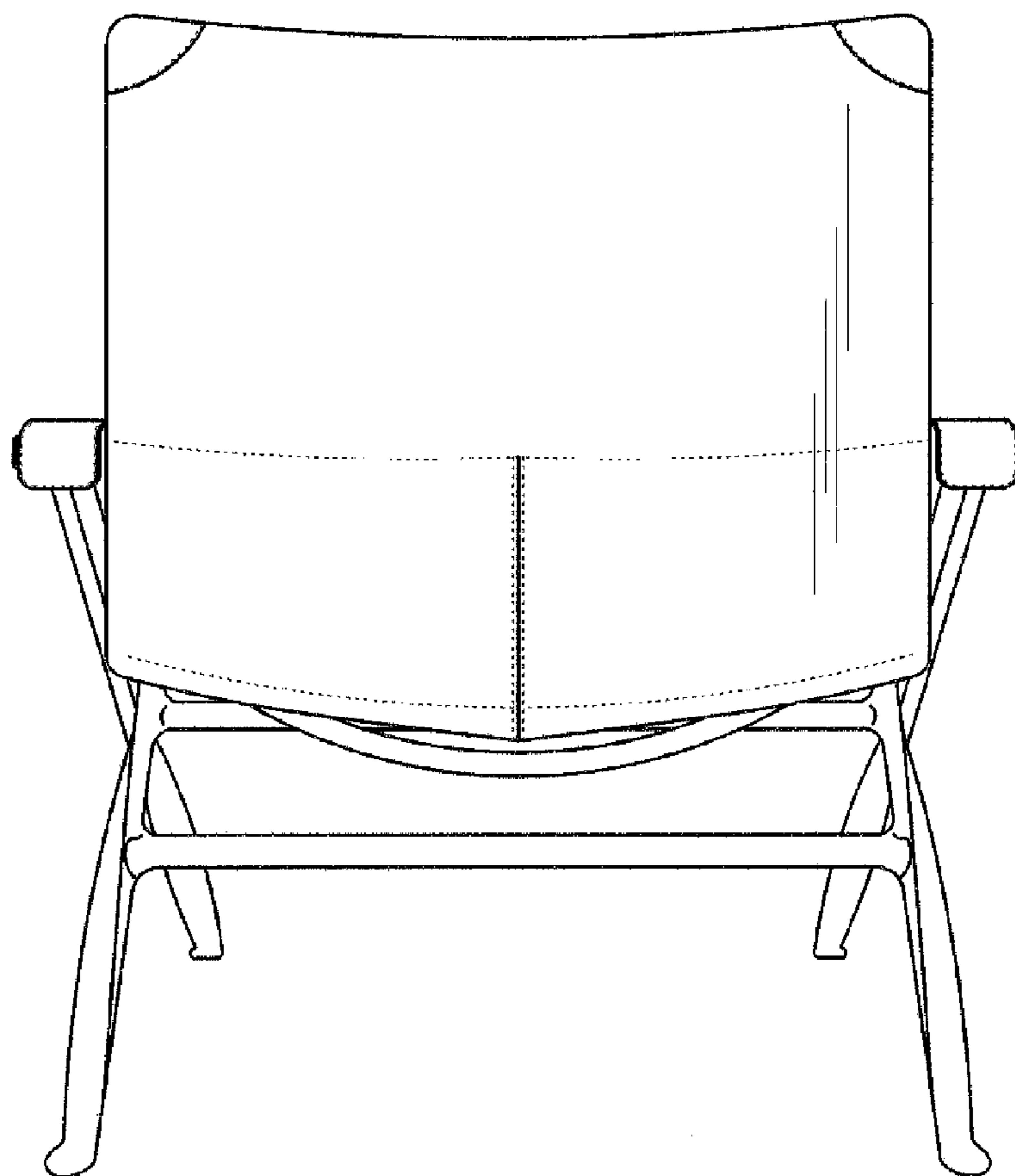


Fig. 5

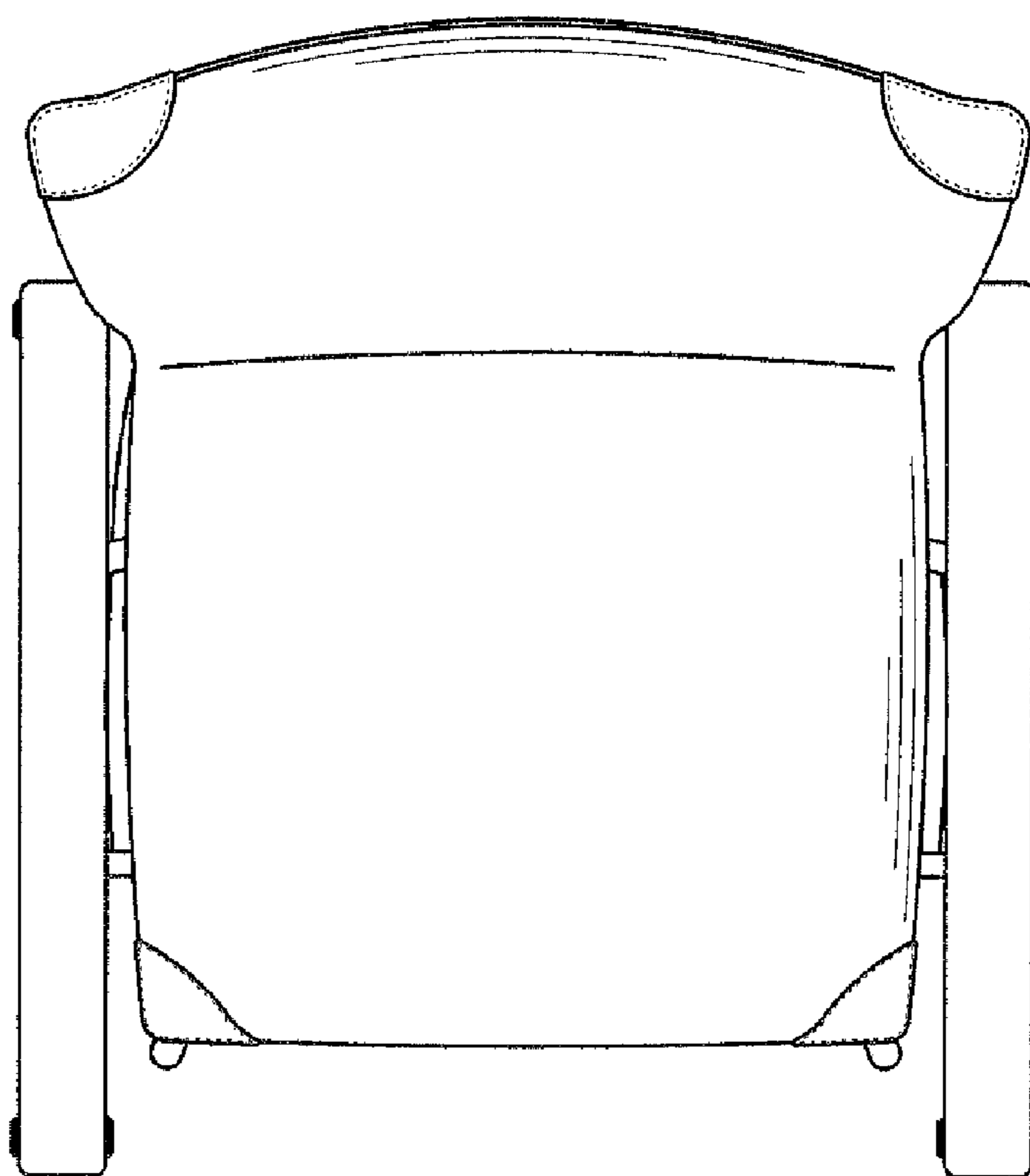


Fig. 6

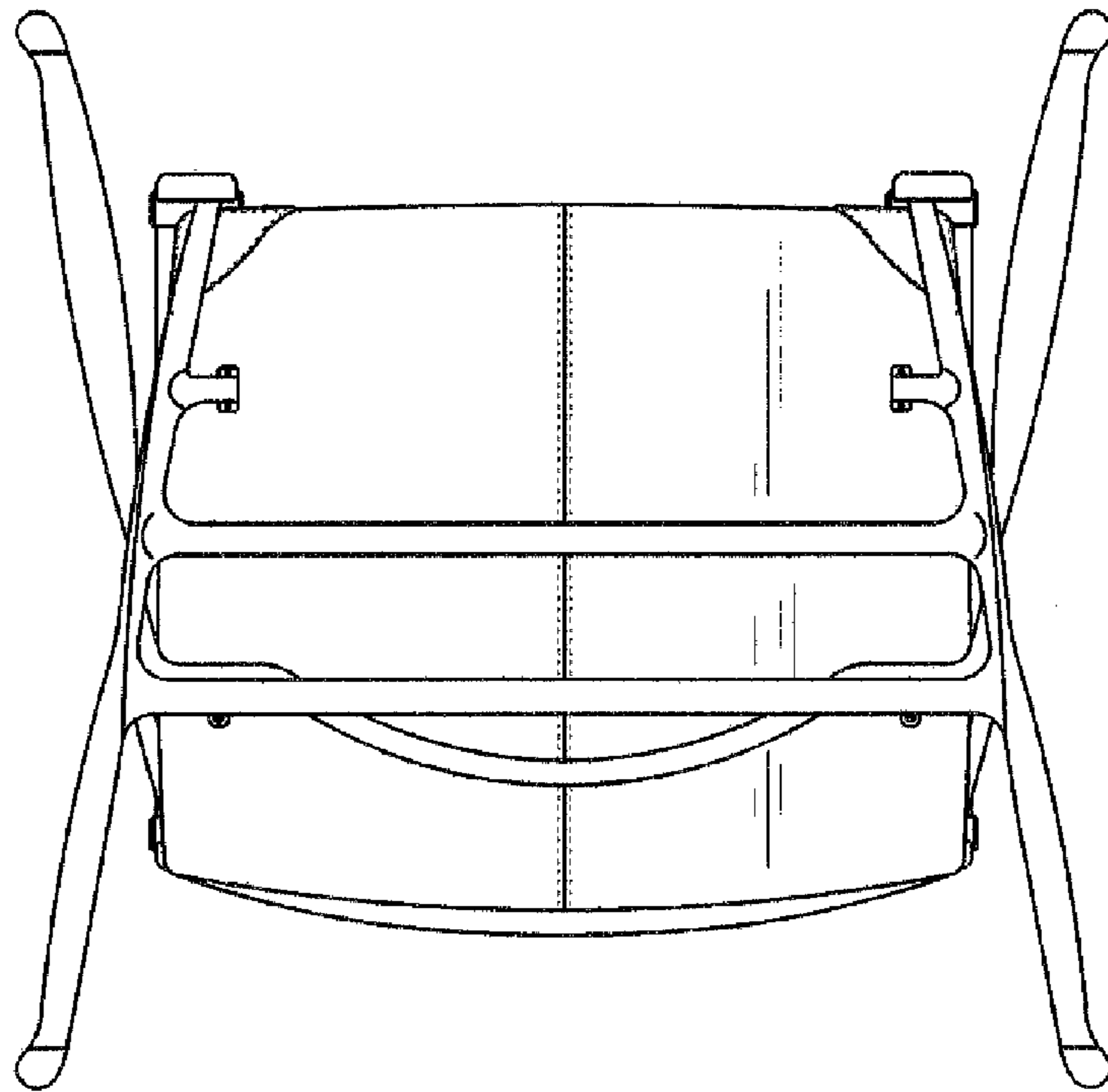


Fig. 7