



US00D670095S

(12) **United States Design Patent**
Eccles

(10) **Patent No.:** **US D670,095 S**
(45) **Date of Patent:** **** Nov. 6, 2012**

(54) **COLLAPSIBLE YOGA STORAGE BENCH**

Primary Examiner — Sandra Snapp

(76) **Inventor:** **Eric Eccles**, Estero, FL (US)

(74) *Attorney, Agent, or Firm* — QuickPatents, Inc.; Kevin Prince

(**) **Term:** **14 Years**

(21) **Appl. No.:** **29/420,020**

(57) **CLAIM**

(22) **Filed:** **May 3, 2012**

I claim the ornamental design for a collapsible yoga storage bench, as shown and described.

(51) **LOC (9) Cl.** **06-01**

(52) **U.S. Cl.** **D6/353**

(58) **Field of Classification Search** D6/335,
D6/340, 349–355, 495, 500–502; 297/16.1,
297/175, 187, 195.1, 423.1, 423.11, 423.14,
297/423.16, 461, 462

DESCRIPTION

See application file for complete search history.

FIG. 1 is a bottom perspective view of a collapsible yoga bench, showing my new design in an extended configuration; FIG. 2 is a top perspective view of FIG. 1; FIG. 3 is a front elevational view of FIG. 1; FIG. 4 is a rear elevational view of FIG. 1; FIG. 5 is a right-side elevational view of FIG. 1, the left-side elevational view being a mirror image thereof; FIG. 6 is a top plan view of FIG. 1; FIG. 7 is a bottom plan view of FIG. 1; and, FIG. 8 is a bottom perspective view thereof, illustrated in a collapsed configuration.

The broken lines showing a person, a carrying strap and a rolled yoga mat in FIG. 1 depict environmental matter and form no part of the claimed design.

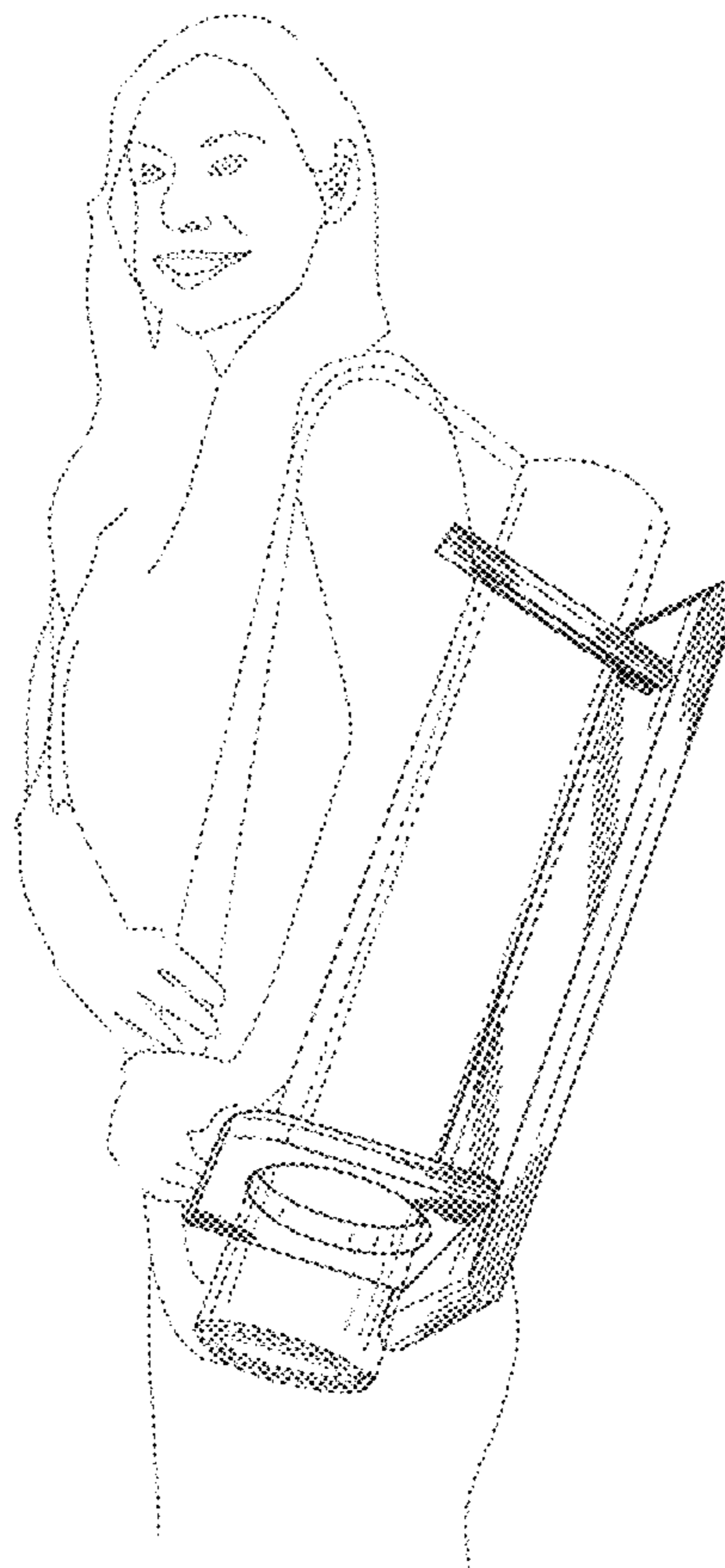
(56) **References Cited**

U.S. PATENT DOCUMENTS

D117,948 S *	12/1939	Forman	D6/349
D139,504 S *	11/1944	Sadler	D6/349
D322,872 S *	12/1991	Holbrook	D30/160
D398,453 S *	9/1998	Stead	D6/349
D424,123 S *	5/2000	Henriksen	D21/671
D424,821 S *	5/2000	Humeston	D6/349
D566,976 S *	4/2008	Pattison	D6/349
D586,572 S *	2/2009	Collette	D6/349
D613,082 S *	4/2010	Peel	D6/349
D652,222 S *	1/2012	Edwards	D6/349

* cited by examiner

1 Claim, 5 Drawing Sheets



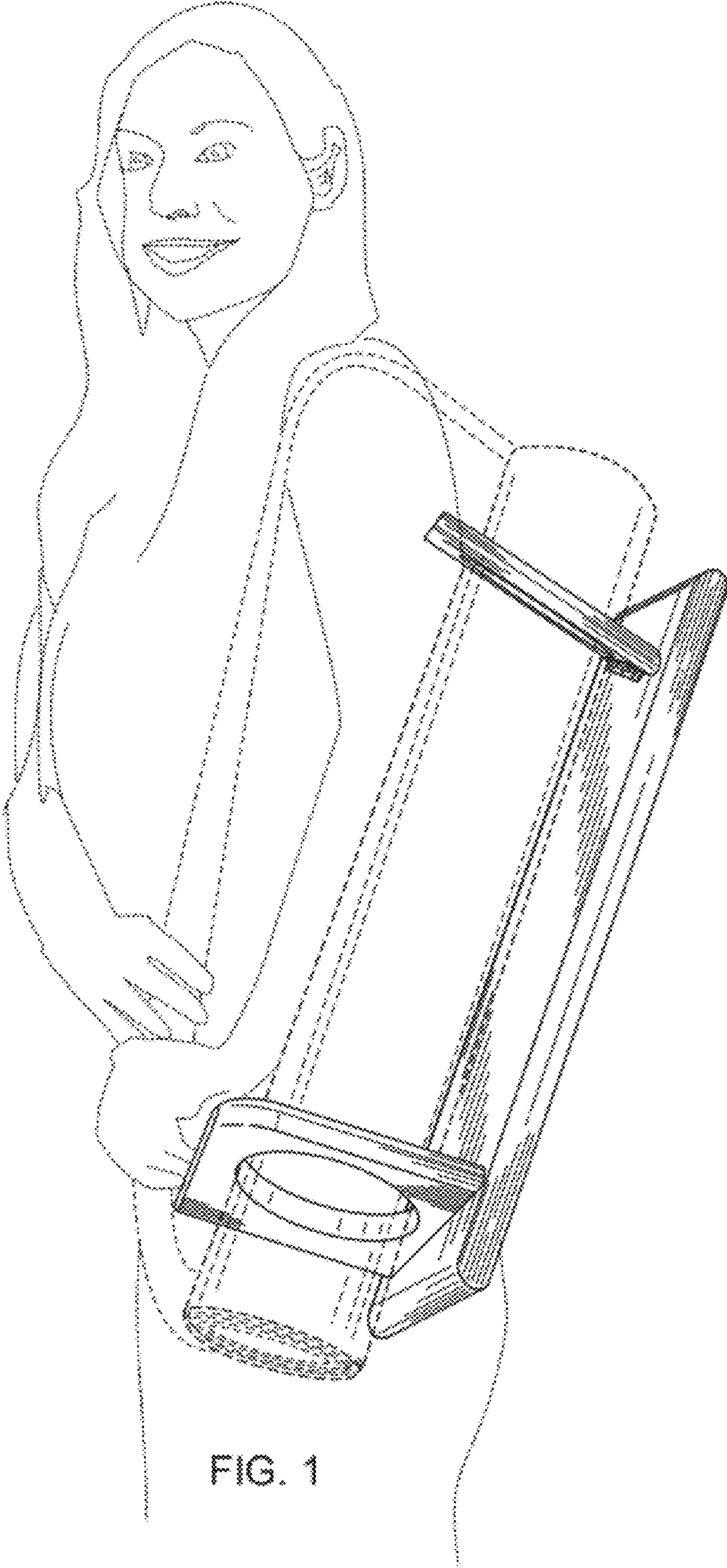


FIG. 1

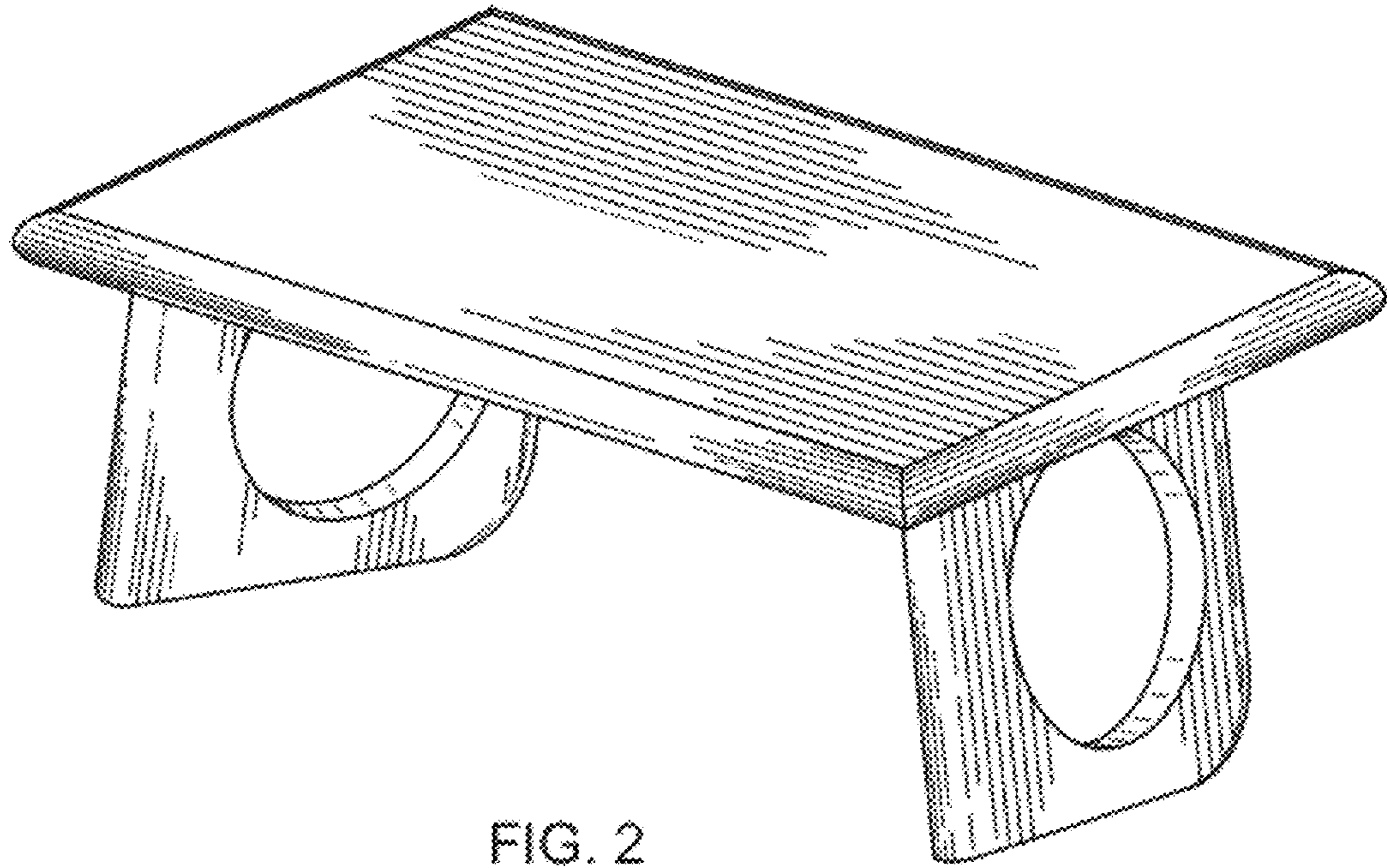


FIG. 2



FIG. 3



FIG. 4

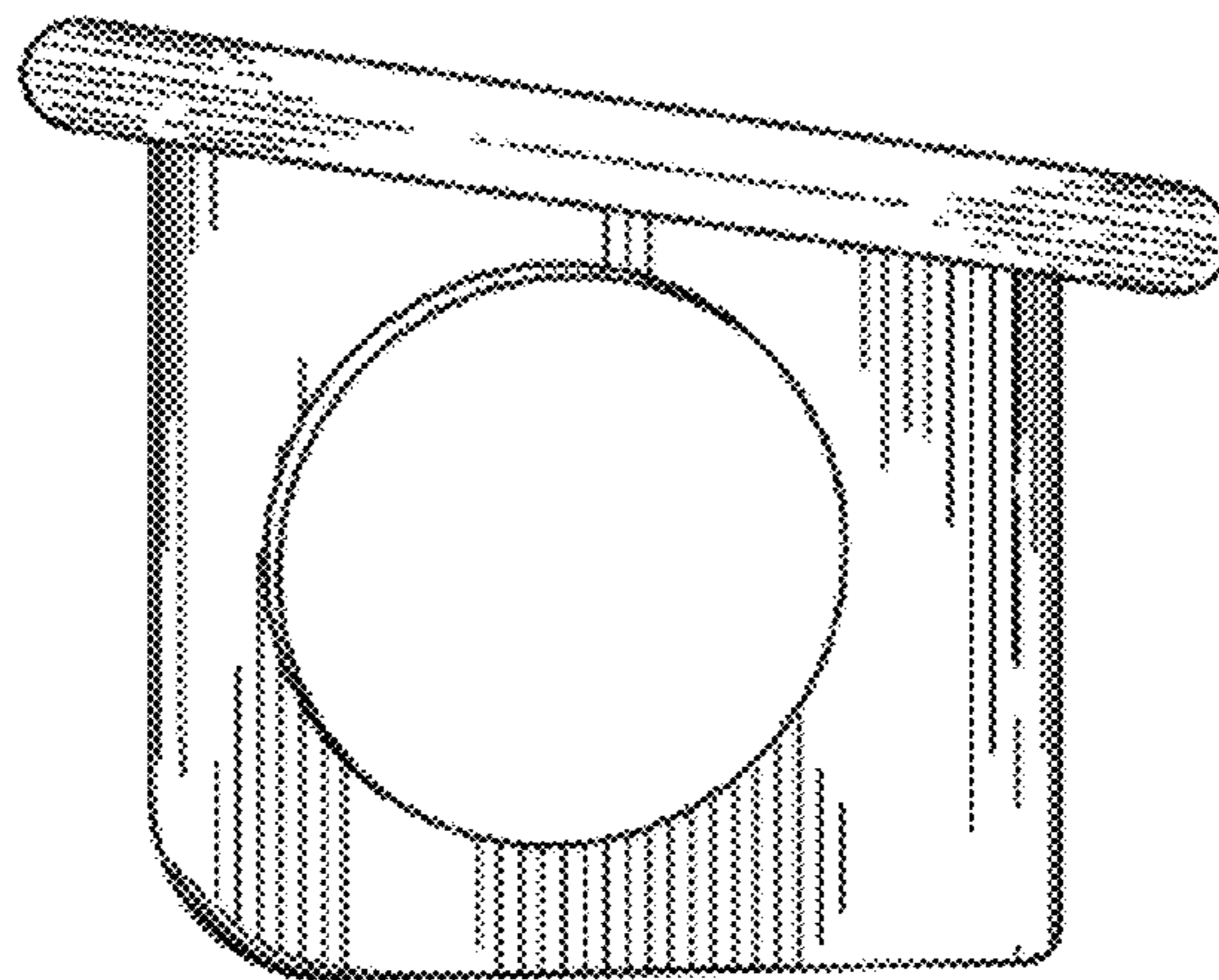


FIG. 5

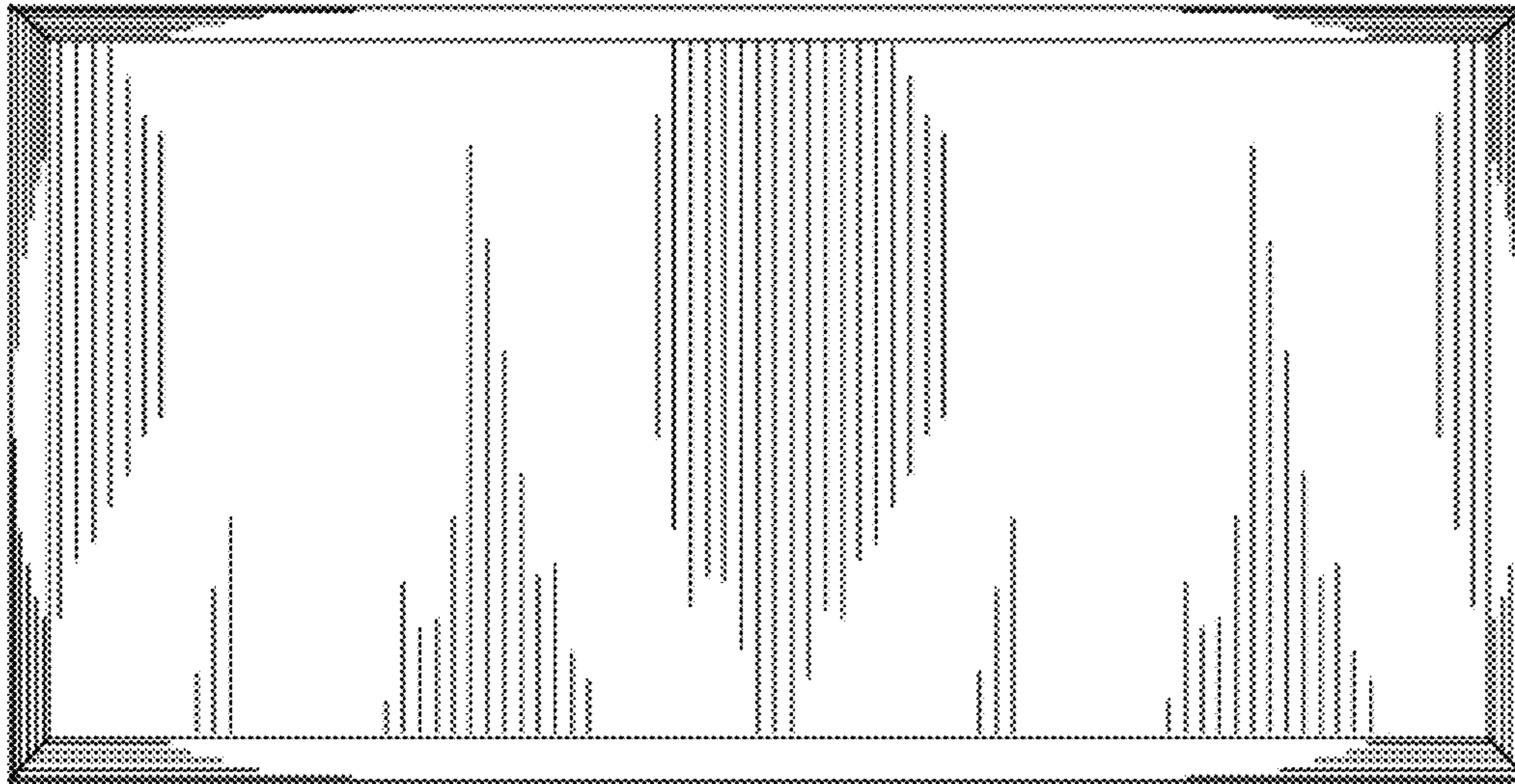


FIG. 6

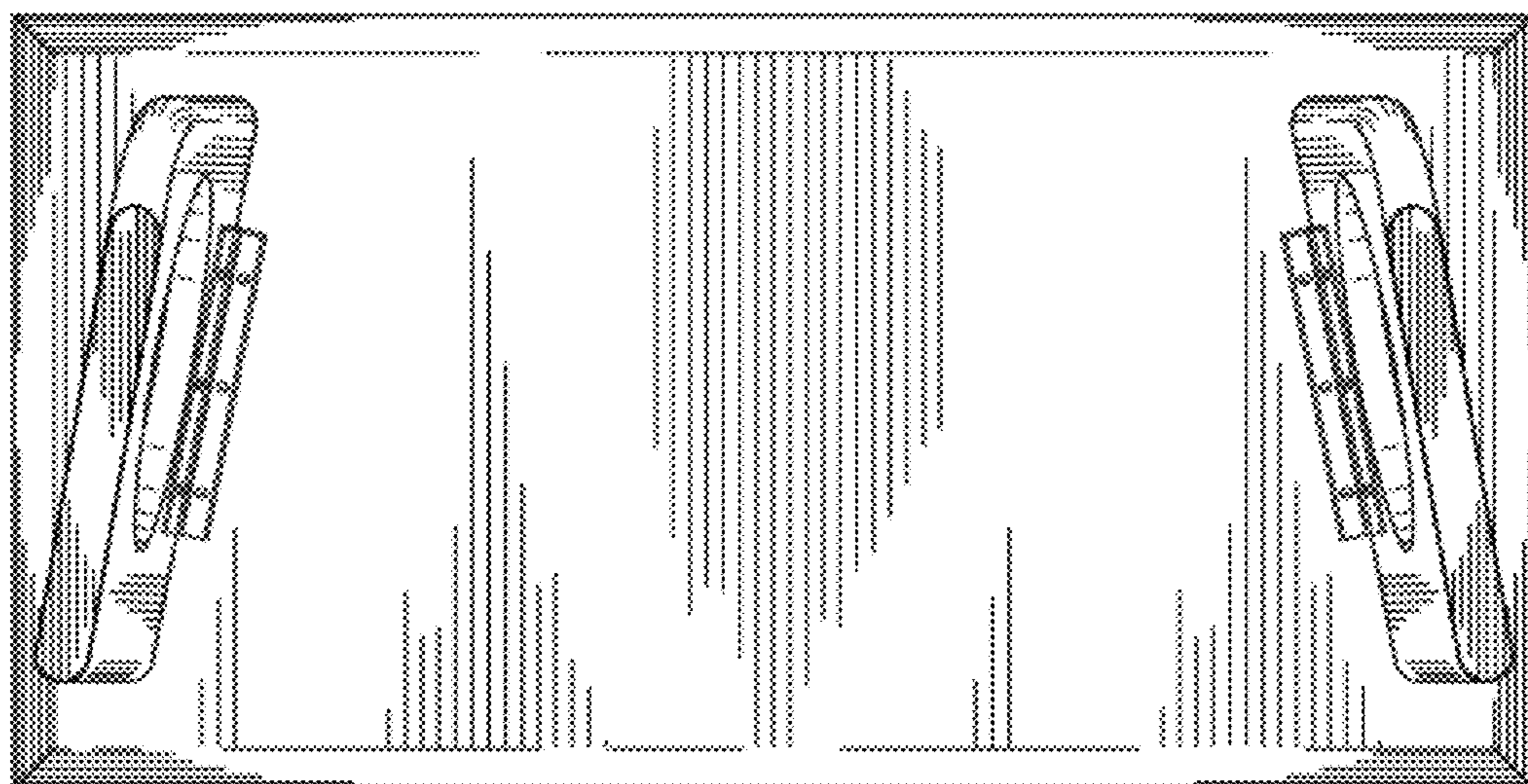


FIG. 7

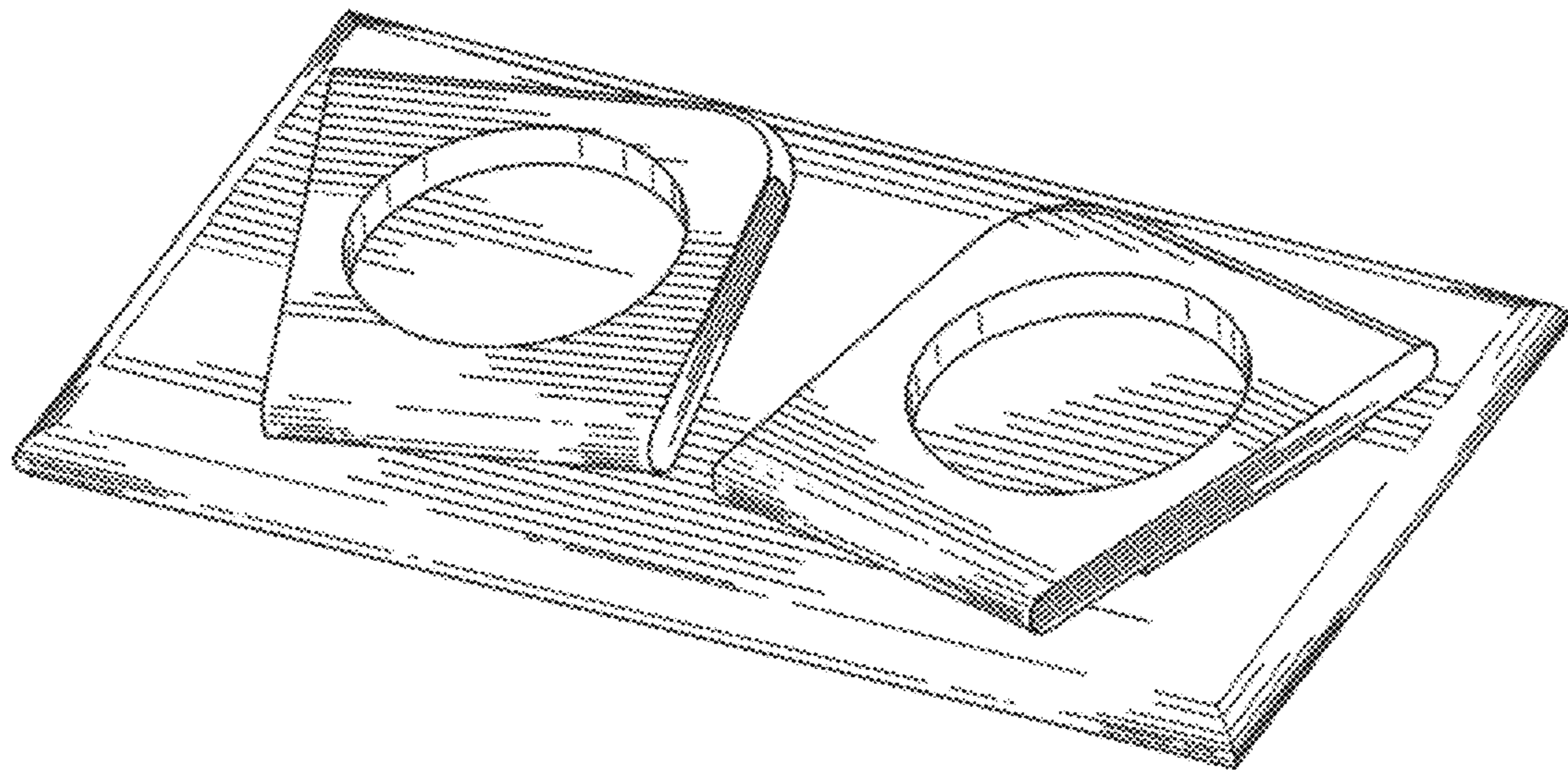


FIG. 8