



US00D670092S

(12) **United States Design Patent**  
**Daigre**

(10) **Patent No.:** **US D670,092 S**

(45) **Date of Patent:** **\*\* Nov. 6, 2012**

(54) **ROUND POD CHAIR**

(76) Inventor: **Alan Daigre**, Readyville, TN (US)

(\*\*) Term: **14 Years**

(21) Appl. No.: **29/418,519**

(22) Filed: **Apr. 17, 2012**

(51) **LOC (9) Cl.** ..... **06-01**

(52) **U.S. Cl.** ..... **D6/349**

(58) **Field of Classification Search** ..... D6/335,  
D6/340, 349-355, 495, 500-502; 297/16.1,  
297/175, 187, 195.1, 423.1, 423.11, 423.14,  
297/423.16, 461, 462

See application file for complete search history.

(56) **References Cited**

**U.S. PATENT DOCUMENTS**

2,487,634	A *	11/1949	Buttner	.....	297/462
2,552,693	A *	5/1951	Smith	.....	297/462
3,125,377	A *	3/1964	Bridges	.....	297/462
4,232,477	A *	11/1980	Lin	.....	446/71
D398,348	S *	9/1998	Hogan	.....	D21/707
D548,493	S *	8/2007	Diekman	.....	D6/482
D553,308	S *	10/2007	Klein	.....	D30/199
D581,703	S *	12/2008	Diekman	.....	D6/482

**OTHER PUBLICATIONS**

Cobonpue, Kenneth. "Chiquita Chair and Stool by Kenneth Cobonpue." Internet. Available at <http://www.unicahome.com/catalog/item.asp?id=61031&PartnerID=SLI>. Visited Dec. 21, 2011.

\* cited by examiner

*Primary Examiner* — Sandra Snapp

(74) *Attorney, Agent, or Firm* — PatentBest; Andrew McAleavey

(57) **CLAIM**

The ornamental design for a round pod chair, as shown and described.

**DESCRIPTION**

FIG. 1 is a perspective view of a round pod chair in use, illustrating my new design;

FIG. 2 is a perspective view of the round pod chair in isolation;

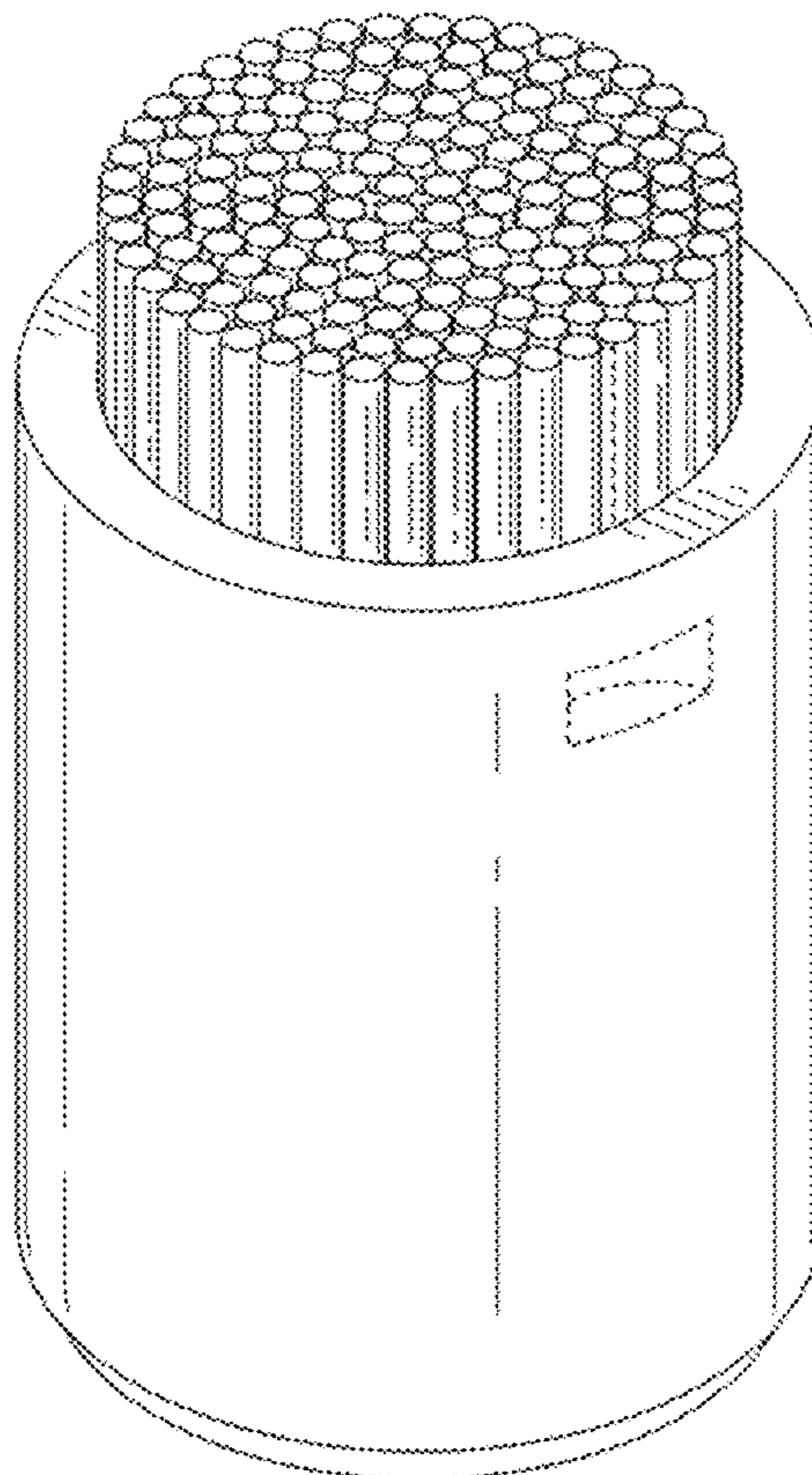
FIG. 3 is a front elevational view of the round pod chair, the front and back being mirror images of one another;

FIG. 4 is a side elevational view of the round pod chair, the sides being mirror images of one another; and,

FIG. 5 is a top plan view of the round pod chair.

In the drawing figures, the broken lines immediately adjacent the shaded areas represent the bounds of the claimed design, while all other broken lines are directed to environment and are for illustrative purposes only; the broken lines form no part of the claimed design.

**1 Claim, 5 Drawing Sheets**



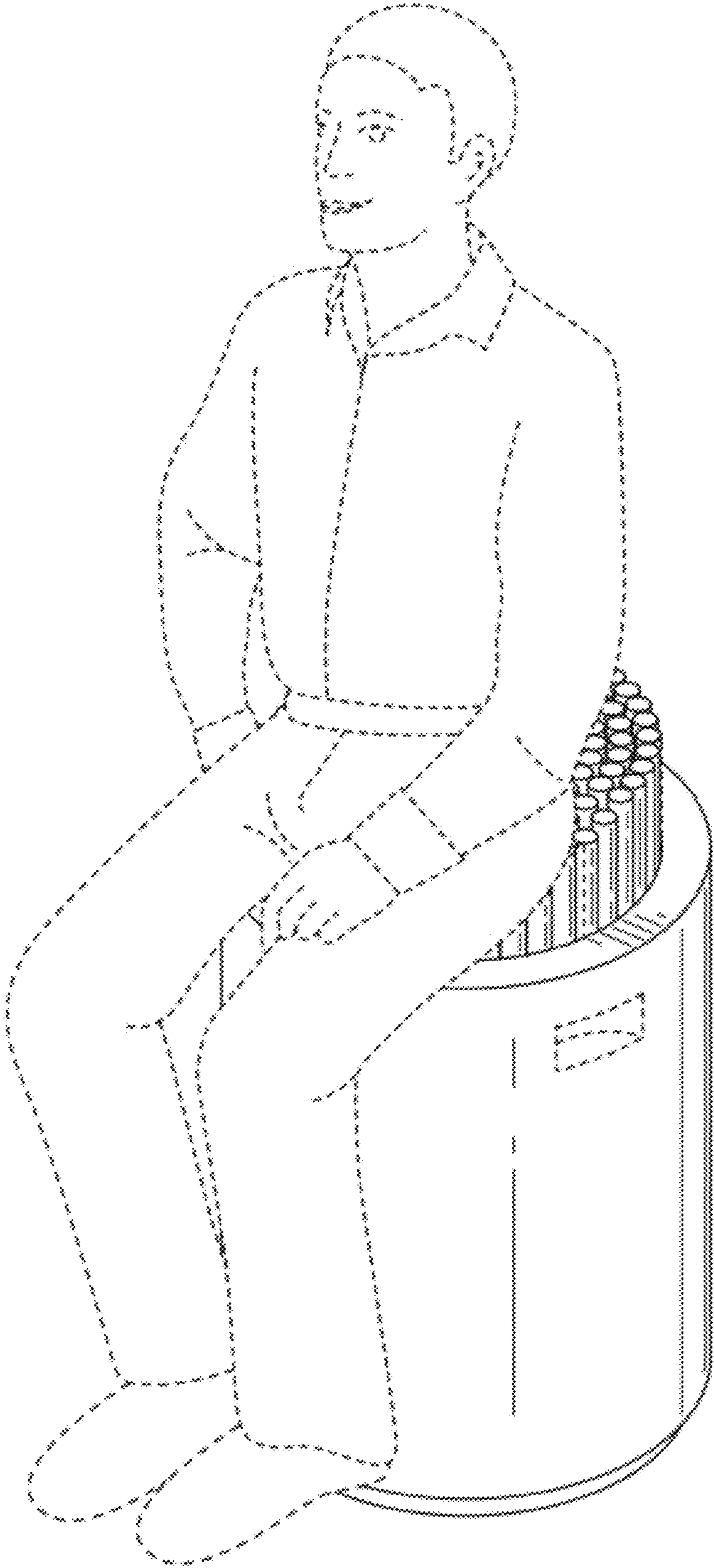


FIG. 1

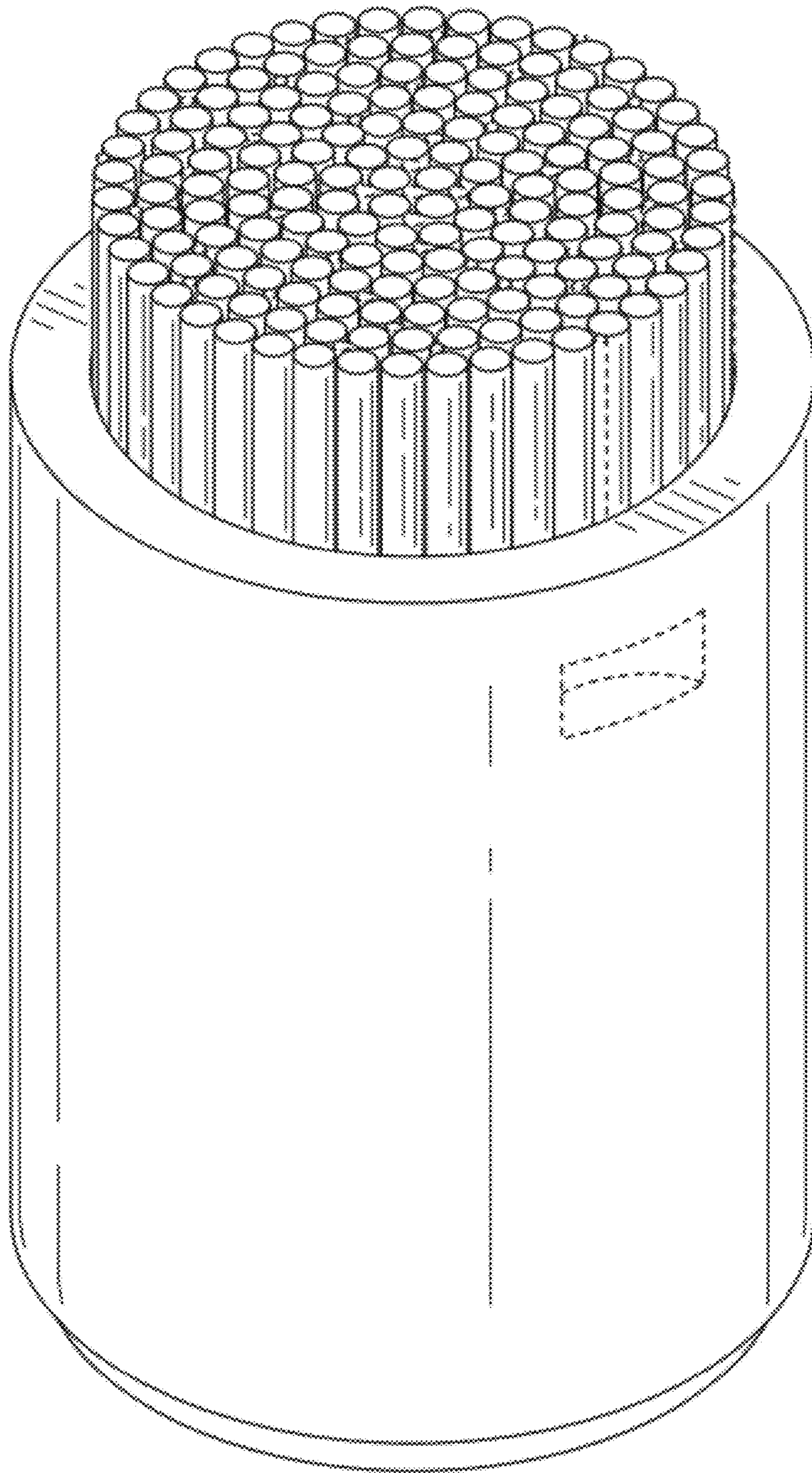


FIG. 2

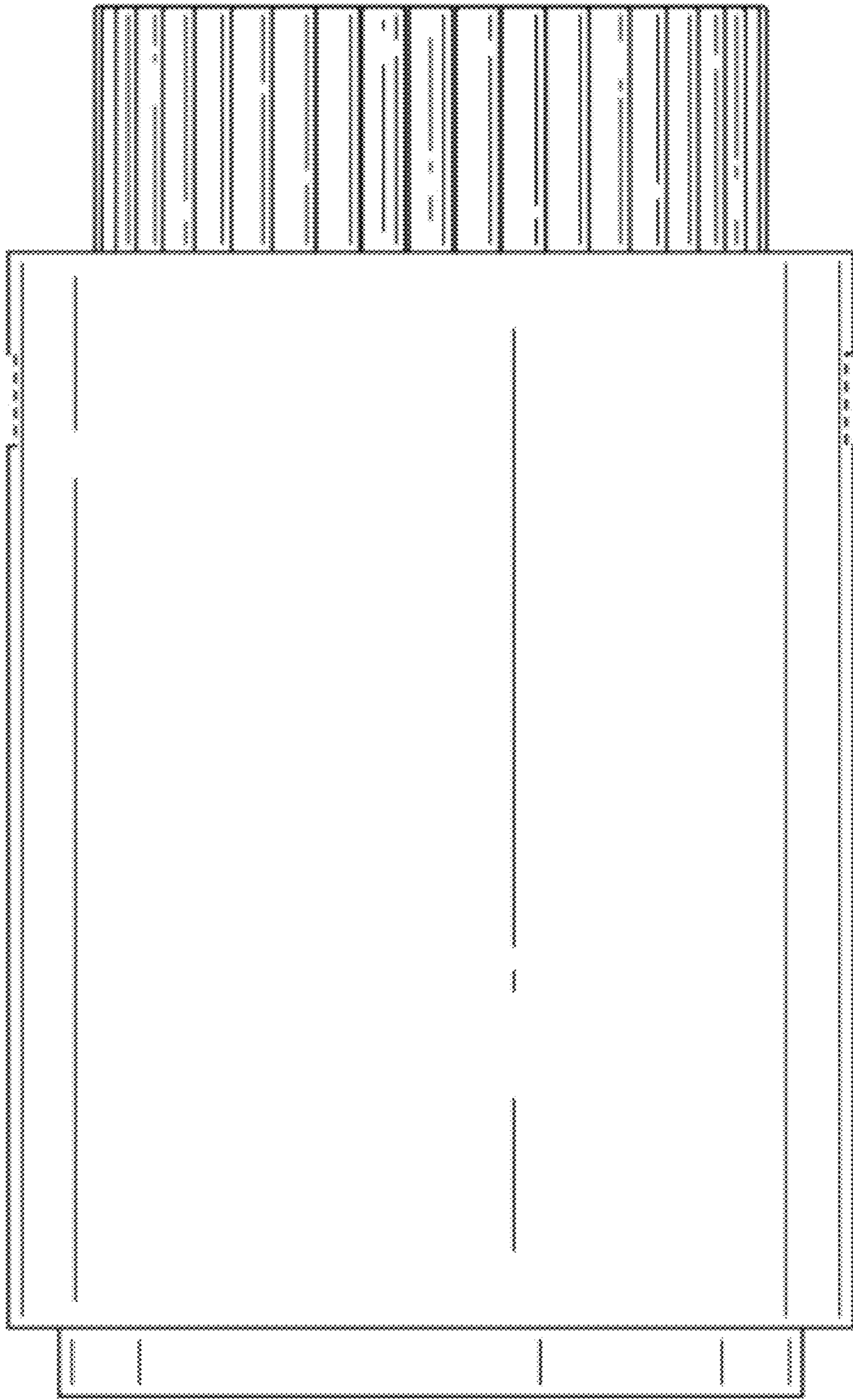


FIG. 3

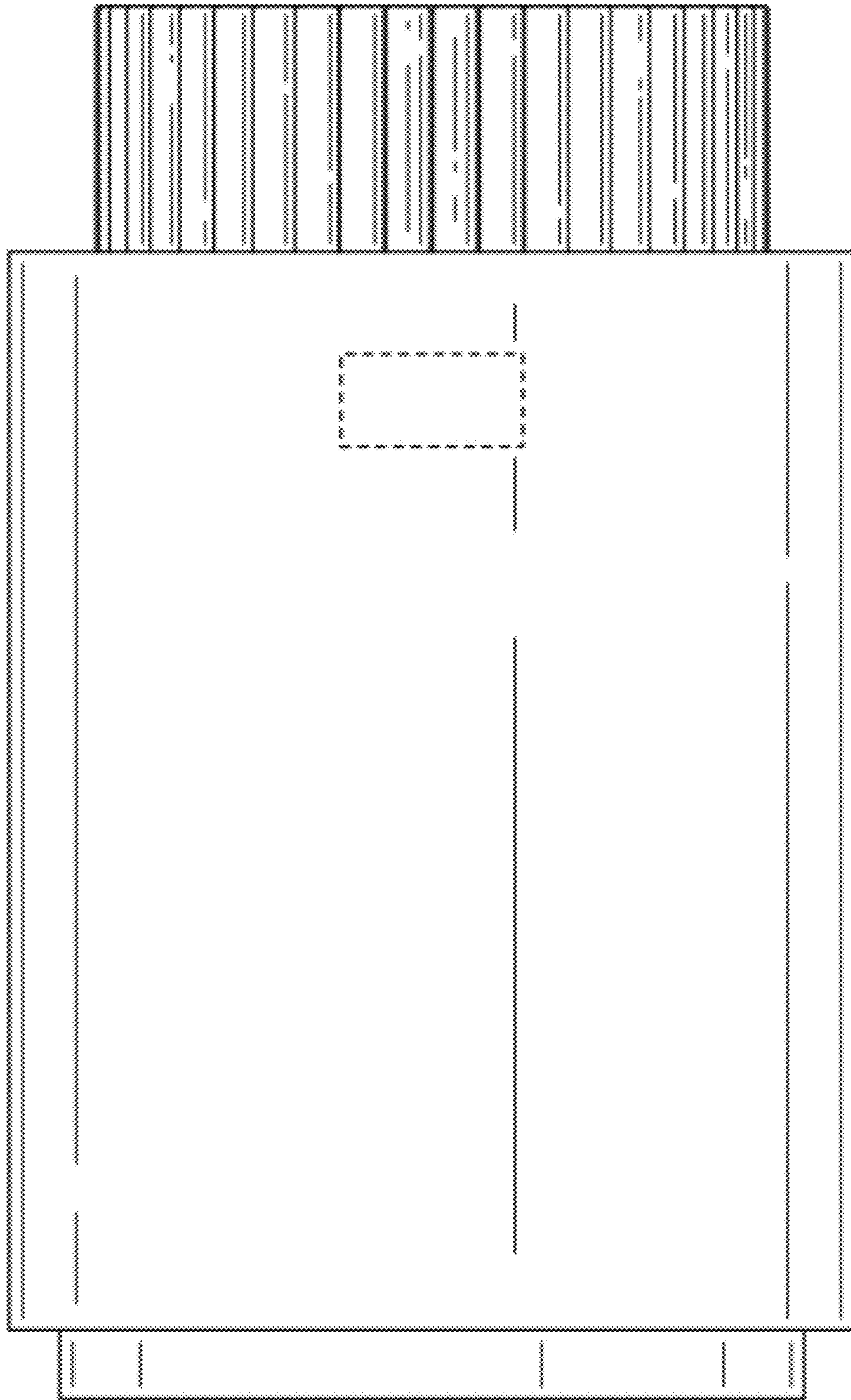


FIG. 4

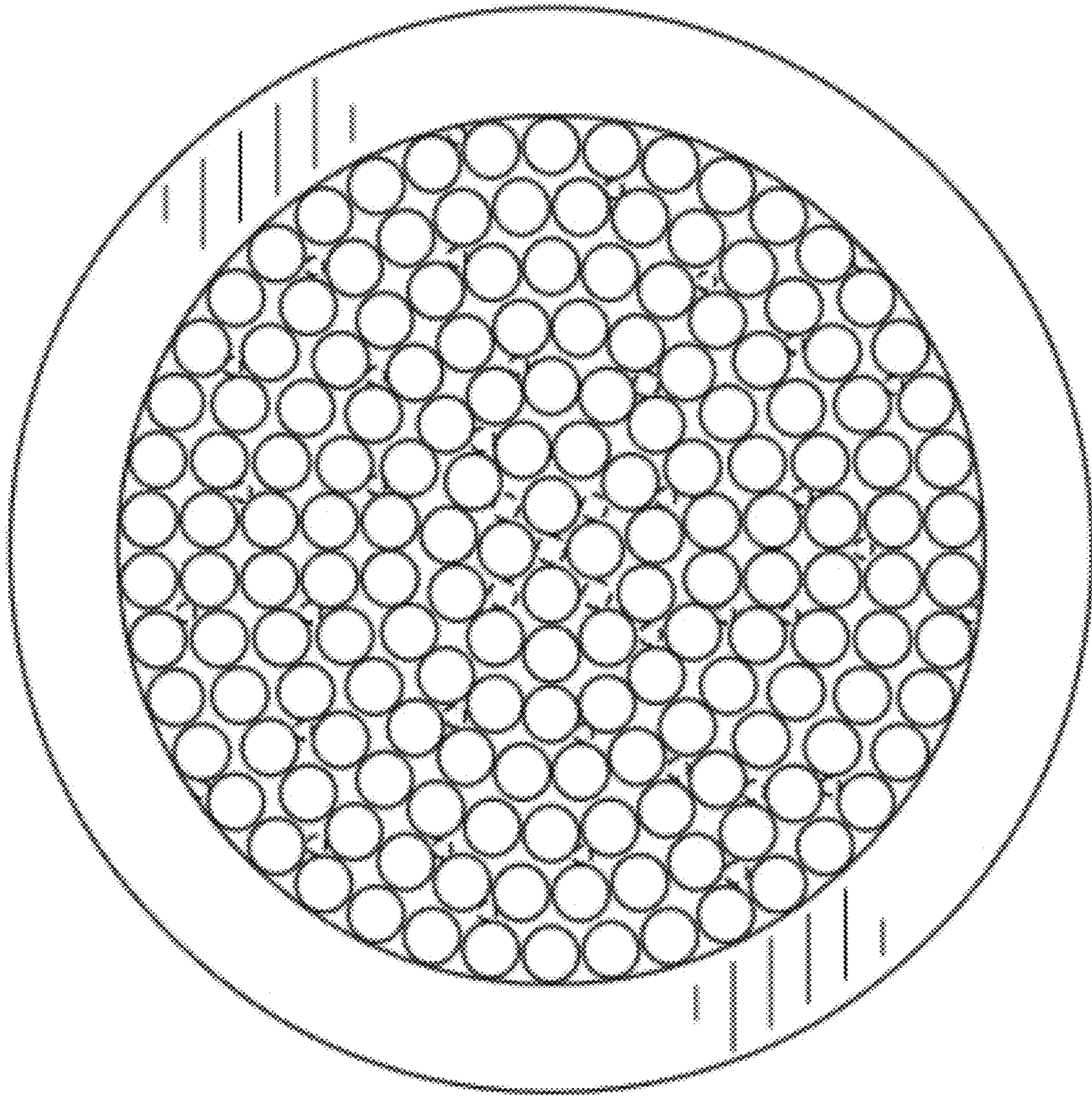


FIG. 5