



US00D670083S

(12) **United States Design Patent**  
**Treeby**

(10) **Patent No.:** **US D670,083 S**

(45) **Date of Patent:** **\*\* Nov. 6, 2012**

(54) **HAIR BRUSH**

(75) **Inventor:** **Cameron Bruce William Treeby,**  
London (GB)

(73) **Assignee:** **Tangle Teezer Limited,** London (GB)

(\*\*) **Term:** **14 Years**

(21) **Appl. No.:** **29/406,161**

(22) **Filed:** **Nov. 10, 2011**

(51) **LOC (9) Cl.** ..... **04-02**

(52) **U.S. Cl.** ..... **D4/130; D4/136**

(58) **Field of Classification Search** ..... D4/117,  
D4/130, 136, 138, 199; D30/158; 119/600,  
119/612, 615, 632, 652, 664; 15/143.1, 159.1,  
15/160, 186-188; D24/211, 214; 601/136,  
601/138; D28/25, 28; 132/120, 142, 313  
See application file for complete search history.

(56) **References Cited**

**U.S. PATENT DOCUMENTS**

216,408	A	*	6/1879	Hill	.....	15/186
D107,435	S	*	12/1937	Marder	.....	D4/130
D132,607	S	*	6/1942	Schwartz	.....	D4/130
D169,131	S	*	3/1953	Fay	.....	D4/136
D576,804	S	*	9/2008	Pulfrey	.....	D4/130
D637,818	S	*	5/2011	Mercier	.....	D4/136
D641,171	S	*	7/2011	Mor et al.	.....	D4/199
8,042,216	B2	*	10/2011	Jochim et al.	.....	15/143.1

**OTHER PUBLICATIONS**

EM001194799-0002 Registered Design Application, (Tangle Teezer Ltd.) Feb. 26, 2010, [online], [retrieved on Jun. 13, 2012] Retrieved from the Community Design Database of the Office for Harmonization in the Internal Market using the Internet: <URL: http://oami.europa.eu>.\*

\* cited by examiner

*Primary Examiner* — Melanie H Tung

*Assistant Examiner* — Lavone D Tabor

(74) *Attorney, Agent, or Firm* — Fleit, Gibbons, Gutman, Bongini & Bianco PL; Martin Fleit; Paul Bianco

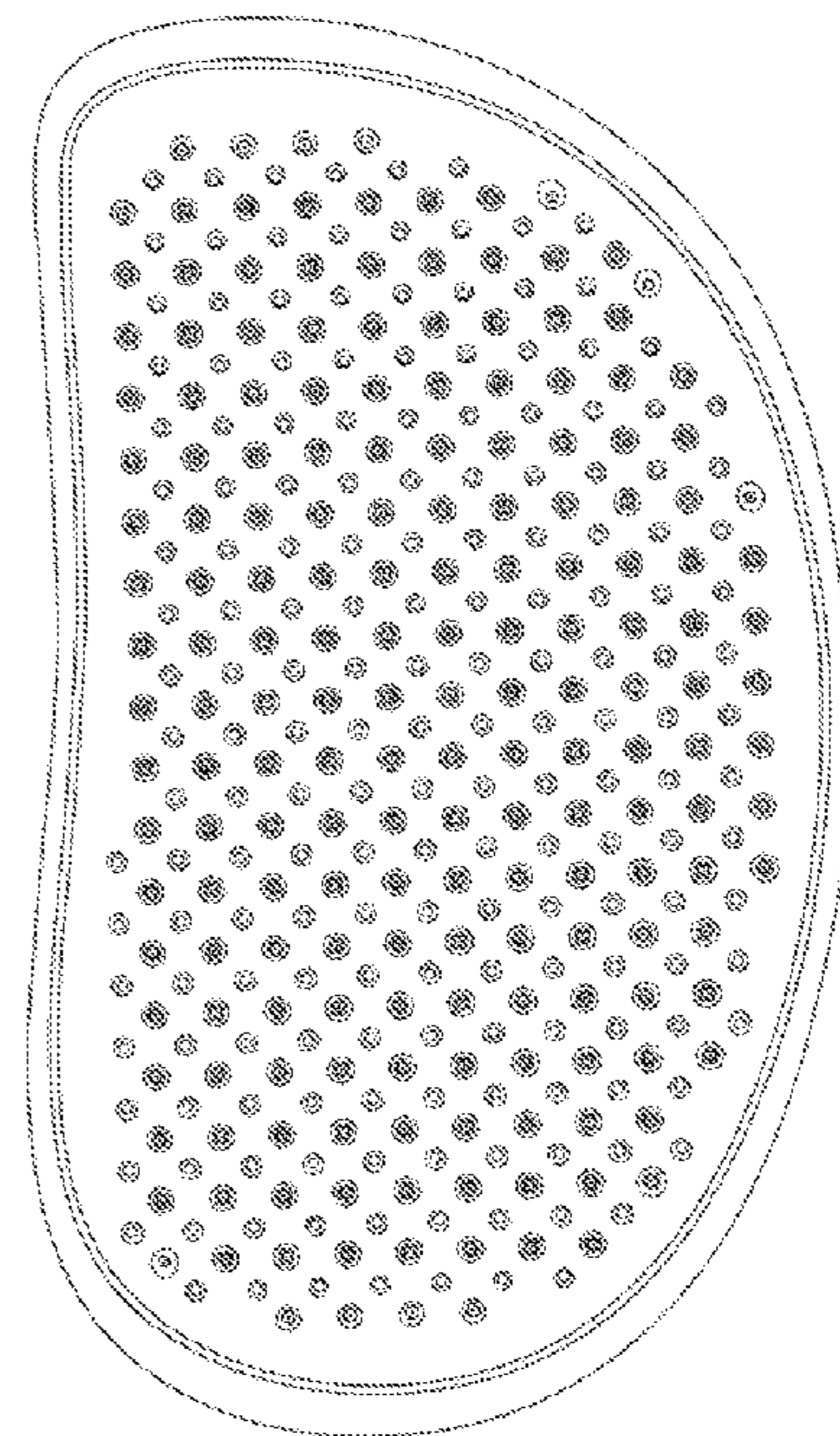
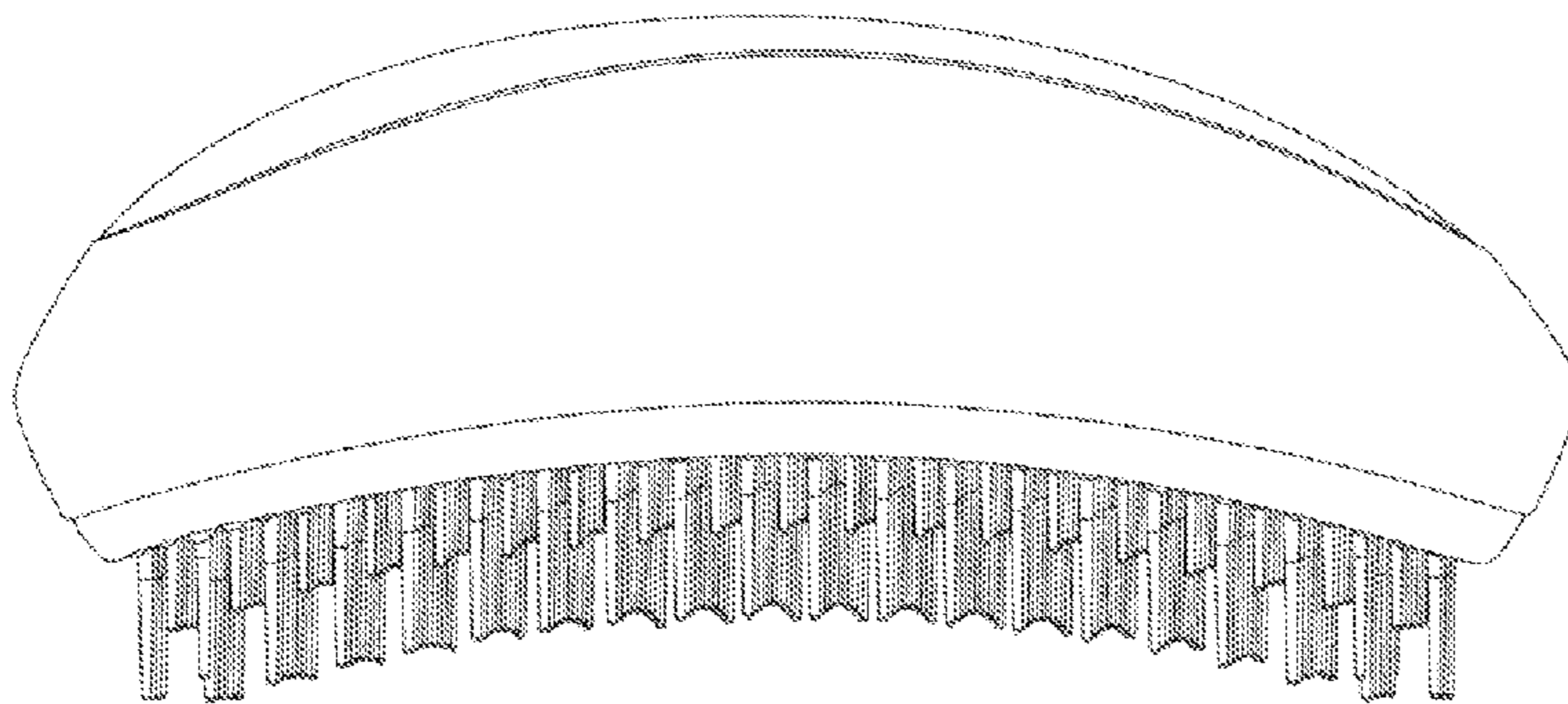
(57) **CLAIM**

The ornamental design for a hair brush, as shown and described.

**DESCRIPTION**

FIG. 1 is a perspective view of a hairbrush.  
FIG. 2 is a first side view of the hairbrush of FIG. 1.  
FIG. 3 is a slightly reduced second side view of the hairbrush of FIG. 1.  
FIG. 4 is a reduced top view of the hairbrush of FIG. 1.  
FIG. 5 is a reduced bottom view of the hairbrush of FIG. 1.  
FIG. 6 is an enlarged first end view of the hairbrush of FIG. 1; and,  
FIG. 7 is an enlarged second end view of the hairbrush of FIG. 1.

**1 Claim, 3 Drawing Sheets**



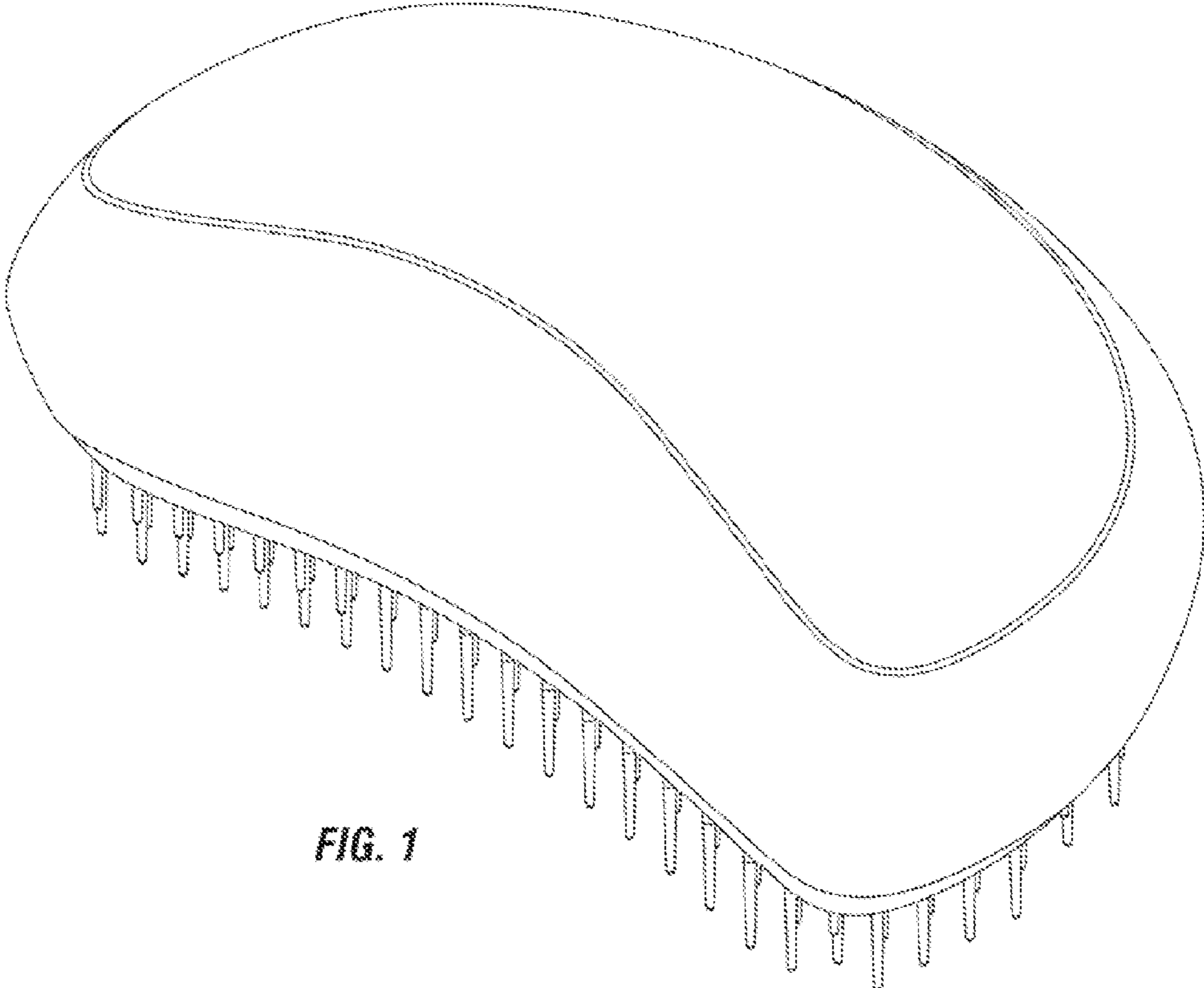


FIG. 1

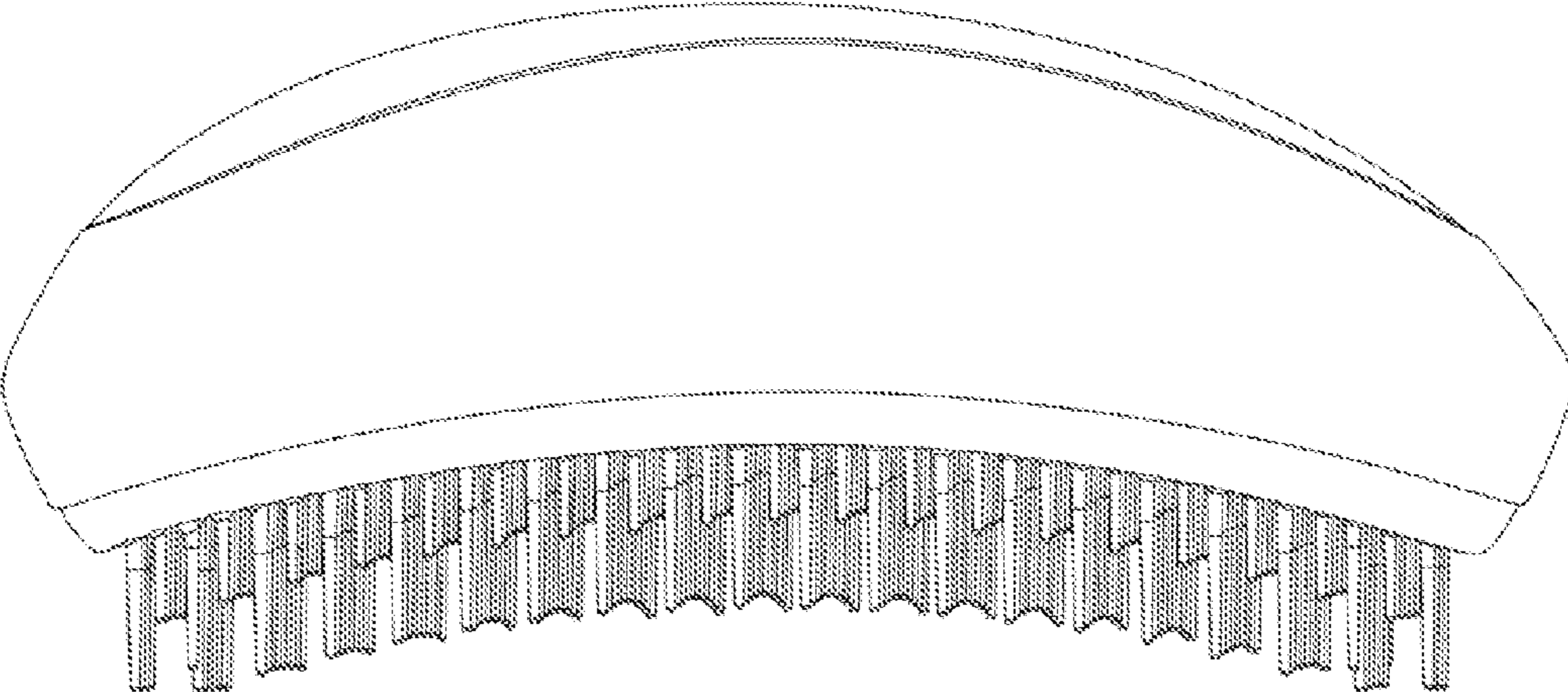


FIG. 2

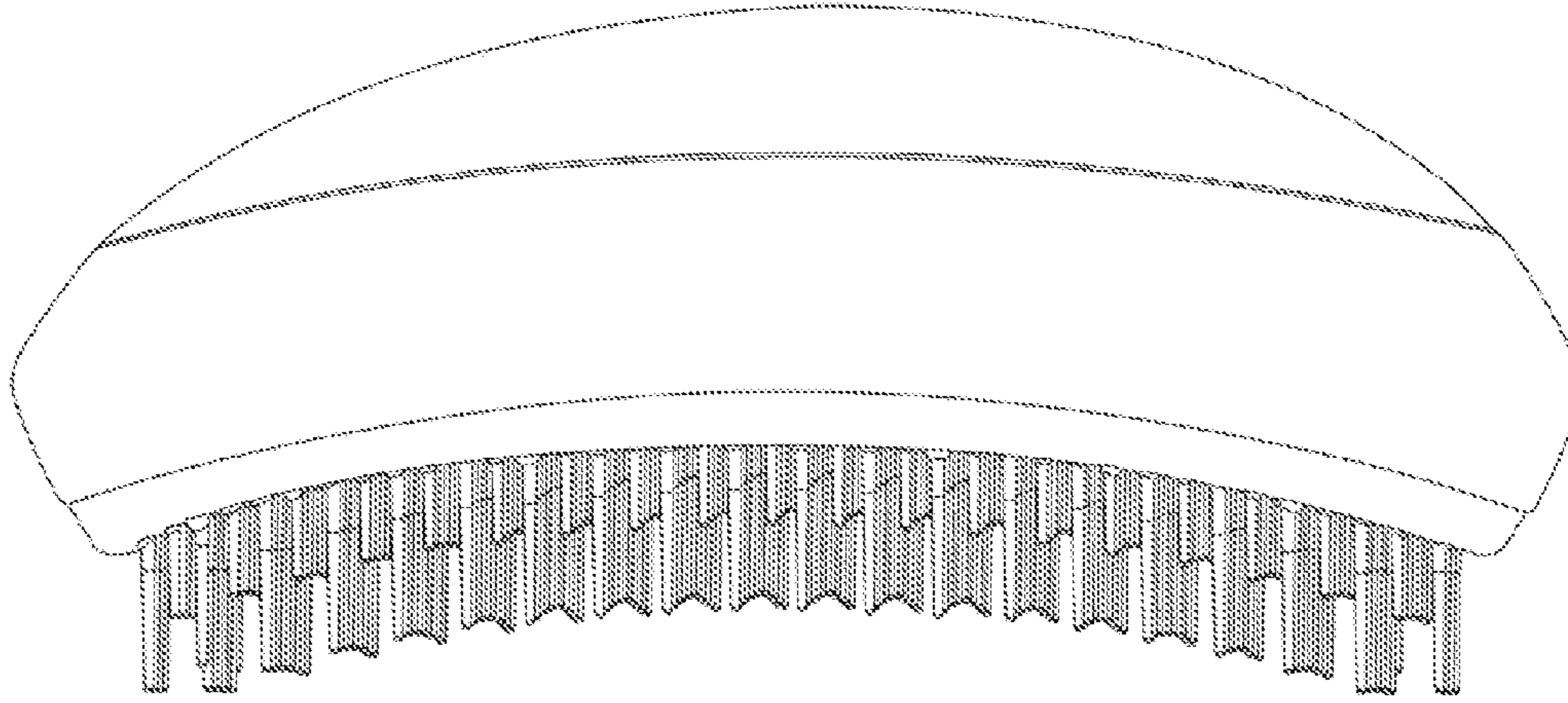


FIG. 3

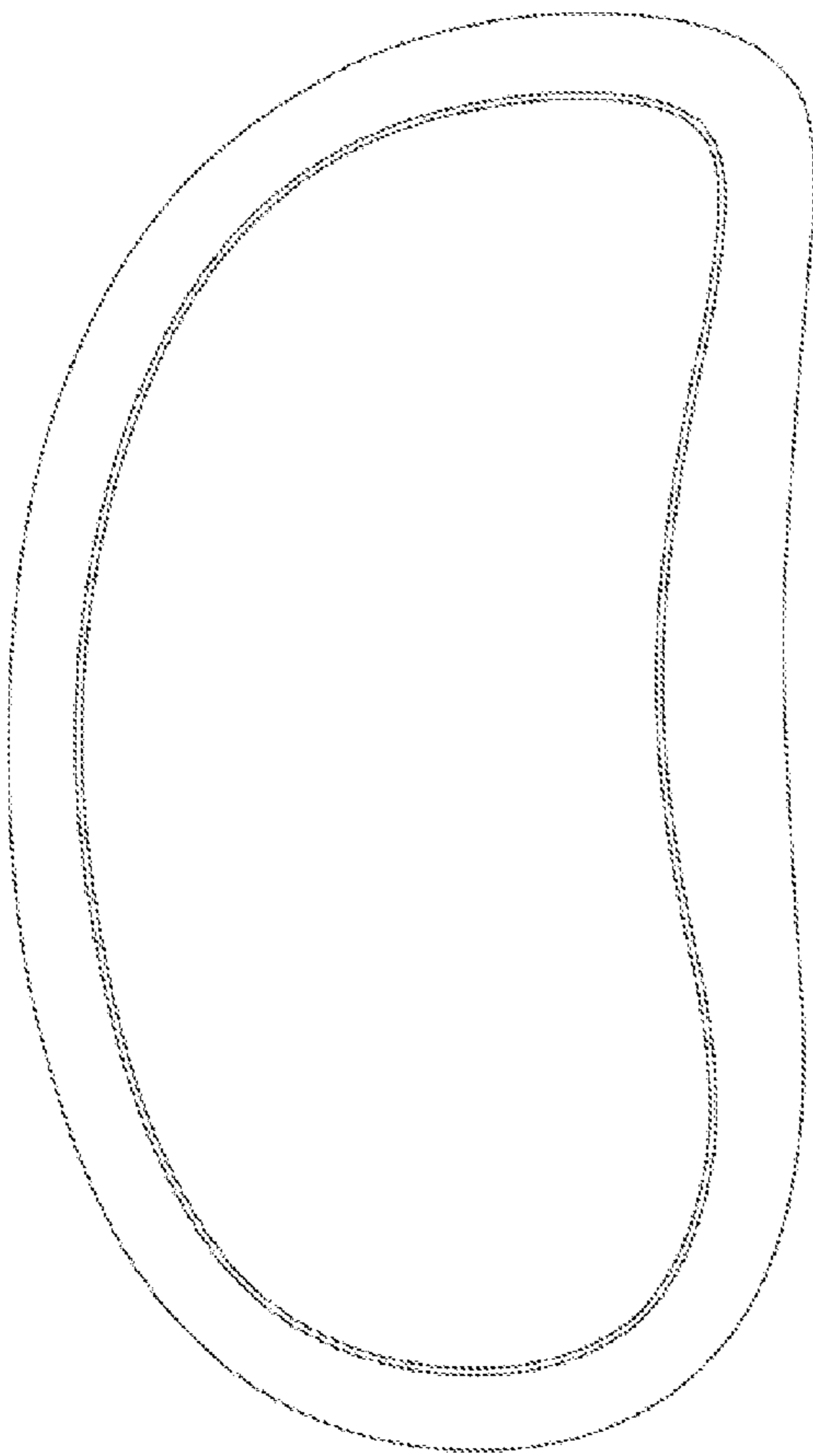


FIG. 4

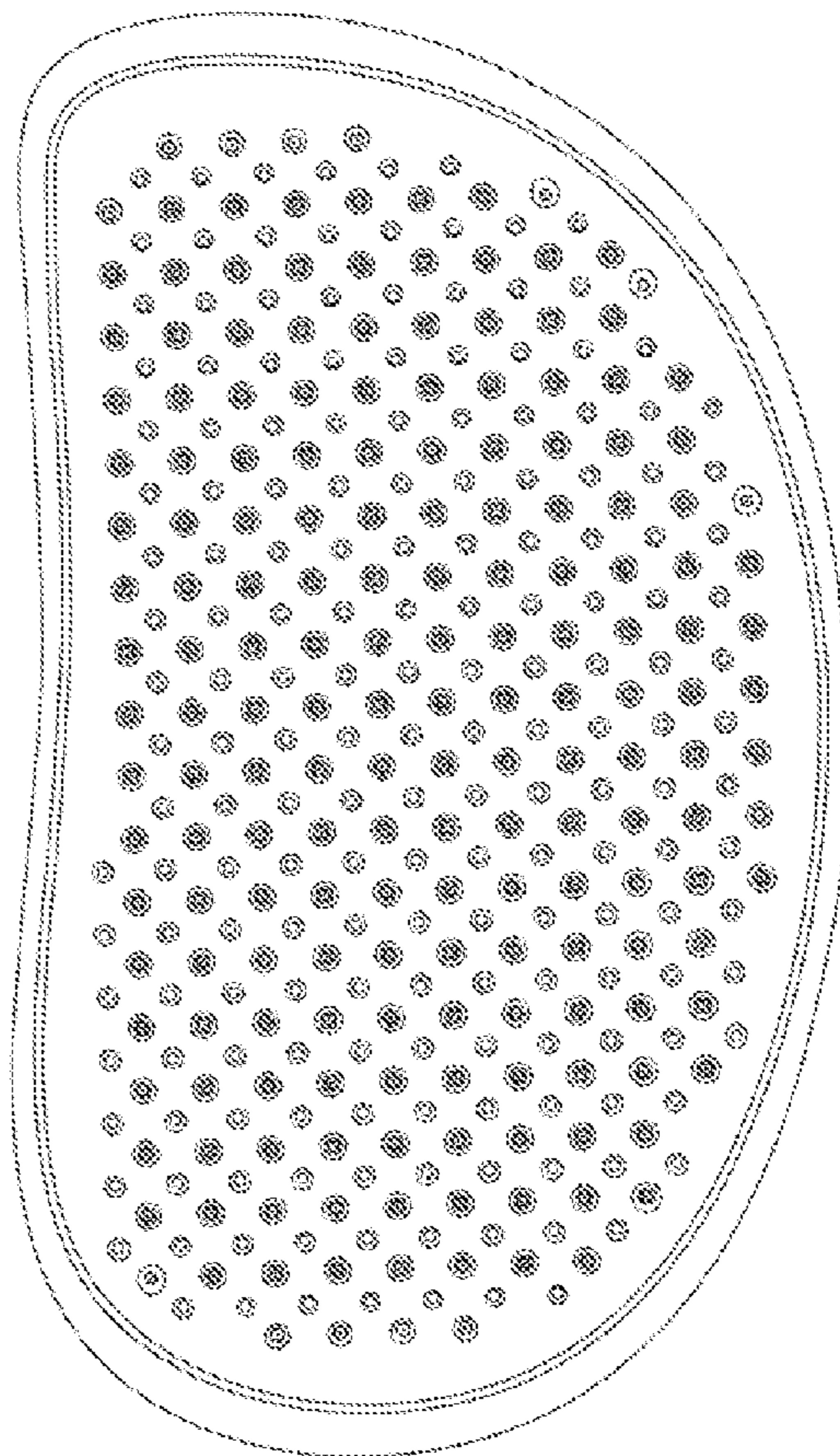


FIG. 5

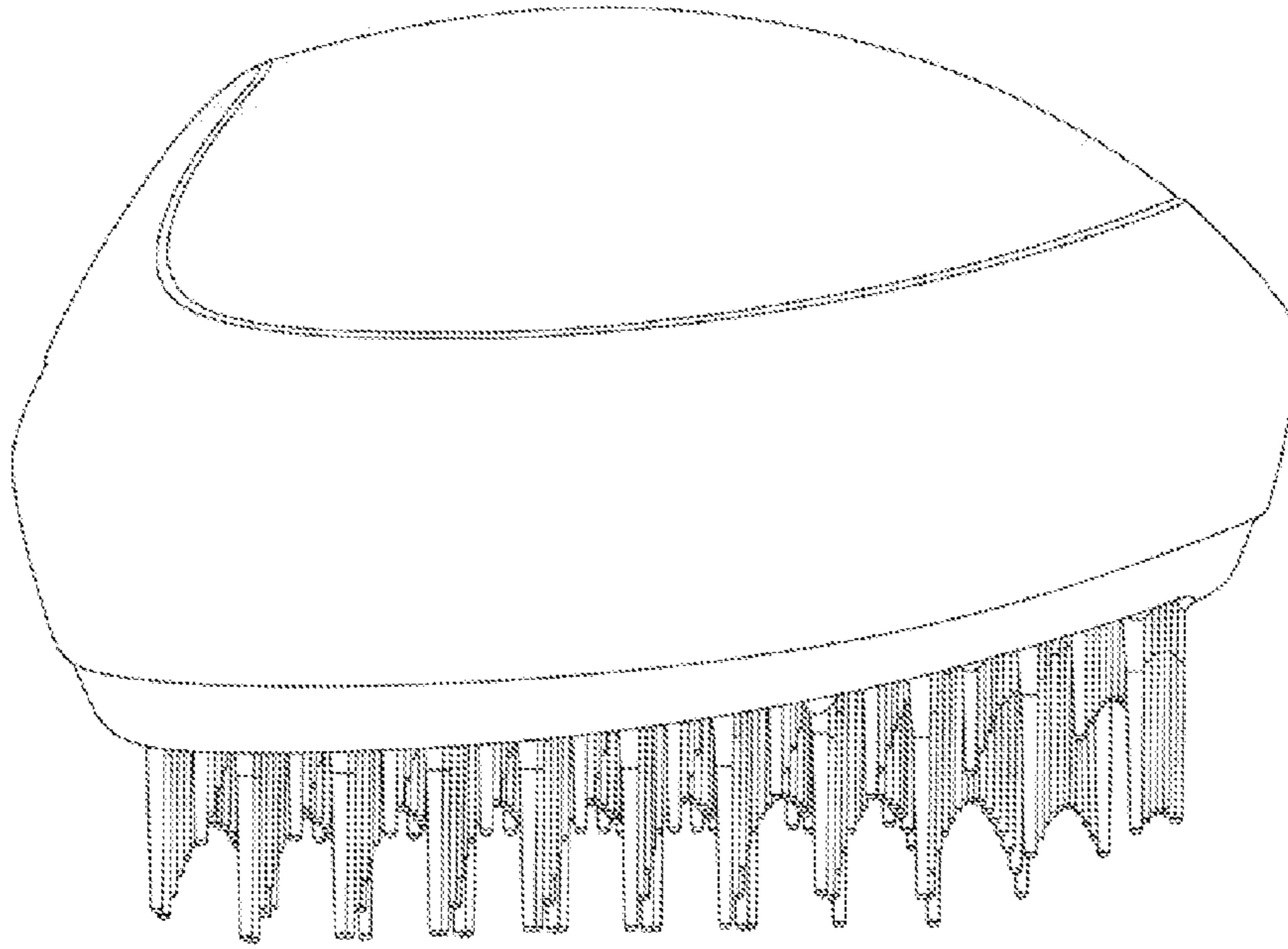


FIG. 6

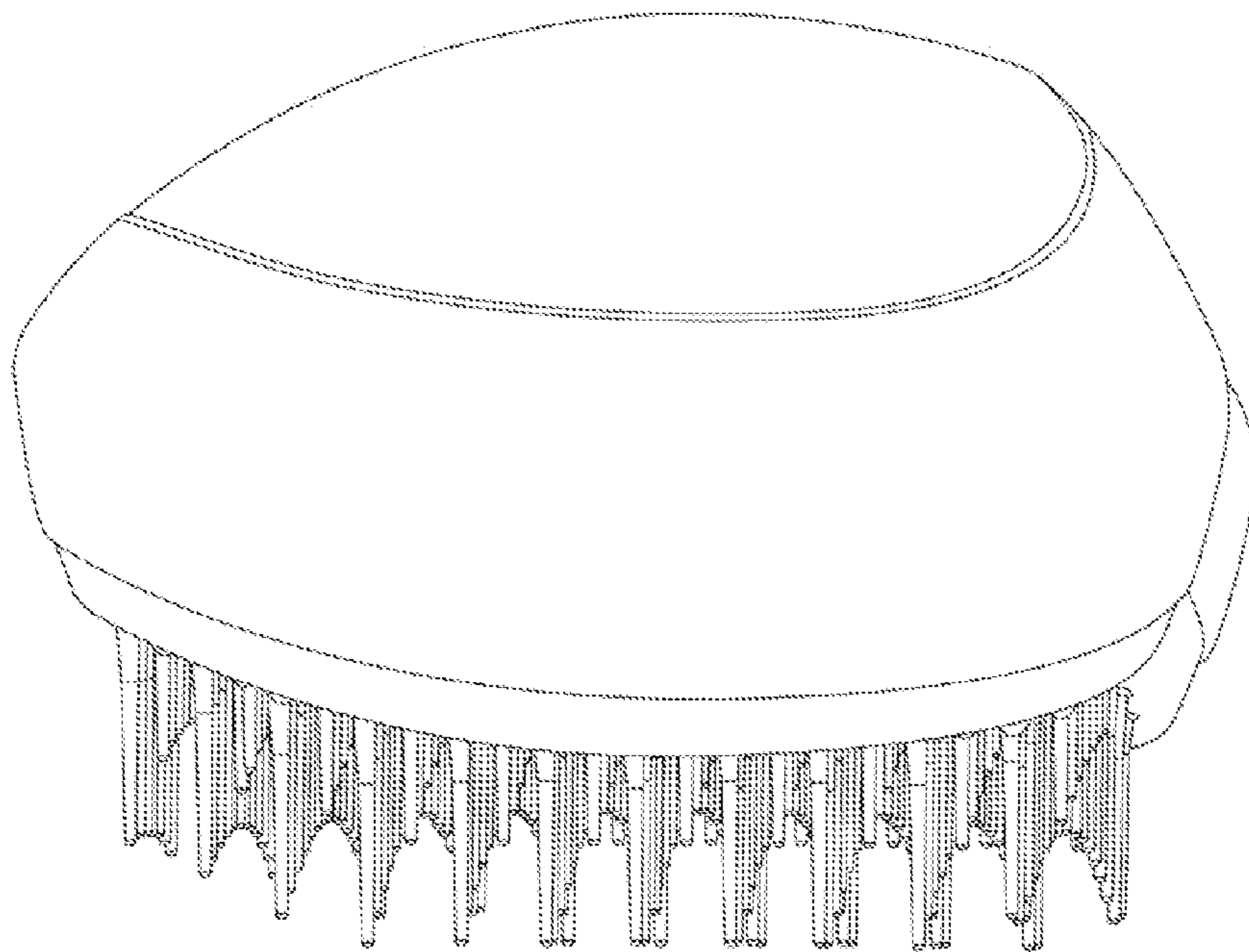


FIG. 7