

US00D670082S

(12) **United States Design Patent**
Chitayat et al.

(10) **Patent No.:** **US D670,082 S**
(45) **Date of Patent:** **** Nov. 6, 2012**

(54) **POTATO BRUSH**

(75) Inventors: **David Dennys Chitayat**, Shanghai (CN); **Heather Tomasetti**, Shanghai (CN); **Pieter Schouten**, Berkeley, CA (US)

(73) Assignee: **Genimex Jersey Ltd.**, Shanghai (CN)

(**) Term: **14 Years**

(21) Appl. No.: **29/386,902**

(22) Filed: **Mar. 5, 2011**

(51) **LOC (9) Cl.** **04-01**

(52) **U.S. Cl.** **D4/127; D4/138**

(58) **Field of Classification Search** D4/118,
D4/127, 130, 132, 135, 138; 15/143.1, 159.1,
15/160, 186, 187, 191.1-193; D7/665, 693,
D7/695

See application file for complete search history.

(56) **References Cited**

U.S. PATENT DOCUMENTS

D46,316 S *	8/1914	Morgan	D4/127
2,006,234 A *	6/1935	Cosby	15/143.1
D326,778 S *	6/1992	Vetter	D4/114
D395,168 S *	6/1998	Larson	D4/130
D404,574 S *	1/1999	Hansen et al.	D4/125
D631,663 S *	2/2011	Krus et al.	D4/127

OTHER PUBLICATIONS

CN 3030139 Registered Design Application, (US High Kitchen Appliances Ltd.) Feb. 15, 1995, [online], [retrieved on Sep. 26, 2011] Retrieved from the Questel Intellectual Property Portal Design Database using the Internet: <URL: http://www.orbit.com>.*
CN 3357775 Registered Design Application, (Dai Branch Co.) Mar. 24, 2004, [online], [retrieved on Jul. 29, 2011] Retrieved from the Questel Intellectual Property Portal Design Database using the Internet: <URL: http://www.orbit.com>.*
CN 301542009 Registered Design Application, (Chen Zhilin) May 11, 2011, [online], [retrieved on Sep. 26, 2011] Retrieved from the Questel Intellectual Property Portal Design Database using the Internet: <URL: http://www.orbit.com>.*

* cited by examiner

Primary Examiner — Melanie H Tung
Assistant Examiner — Lavone D Tabor

(74) *Attorney, Agent, or Firm* — Patent Law Offices of Michael E. Woods; Michael E. Woods

(57) **CLAIM**

The ornamental design for potato brush, as shown and described.

DESCRIPTION

FIG. 1 is a perspective view of potato brush showing our new design;

FIG. 2 is a front view thereof;

FIG. 3 is a left-hand view thereof;

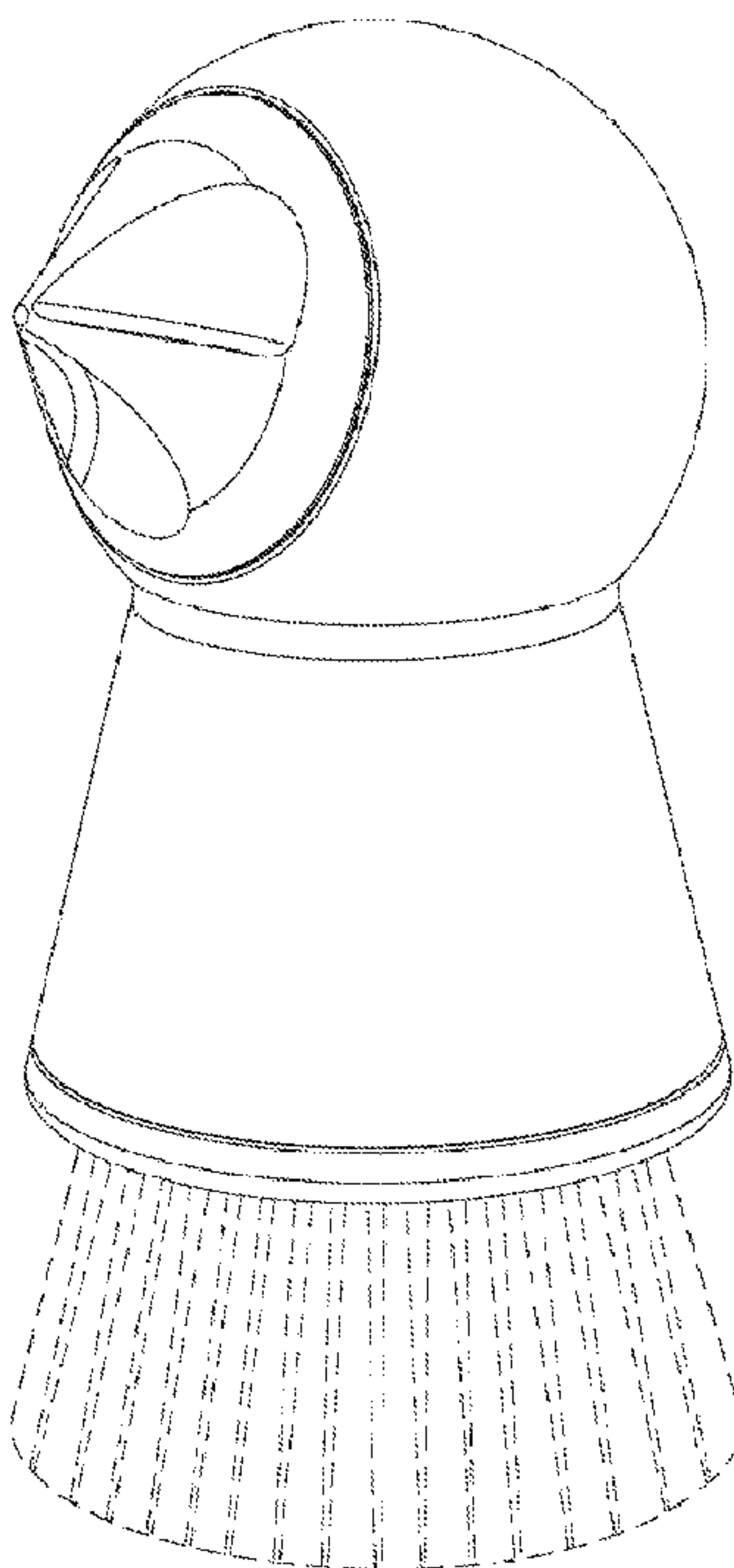
FIG. 4 is a right-hand view thereof;

FIG. 5 is a back view thereof; and,

FIG. 6 is a top view thereof.

The broken lines showing bristles illustrate portions of the potato brush that form no part of the claimed design.

1 Claim, 6 Drawing Sheets



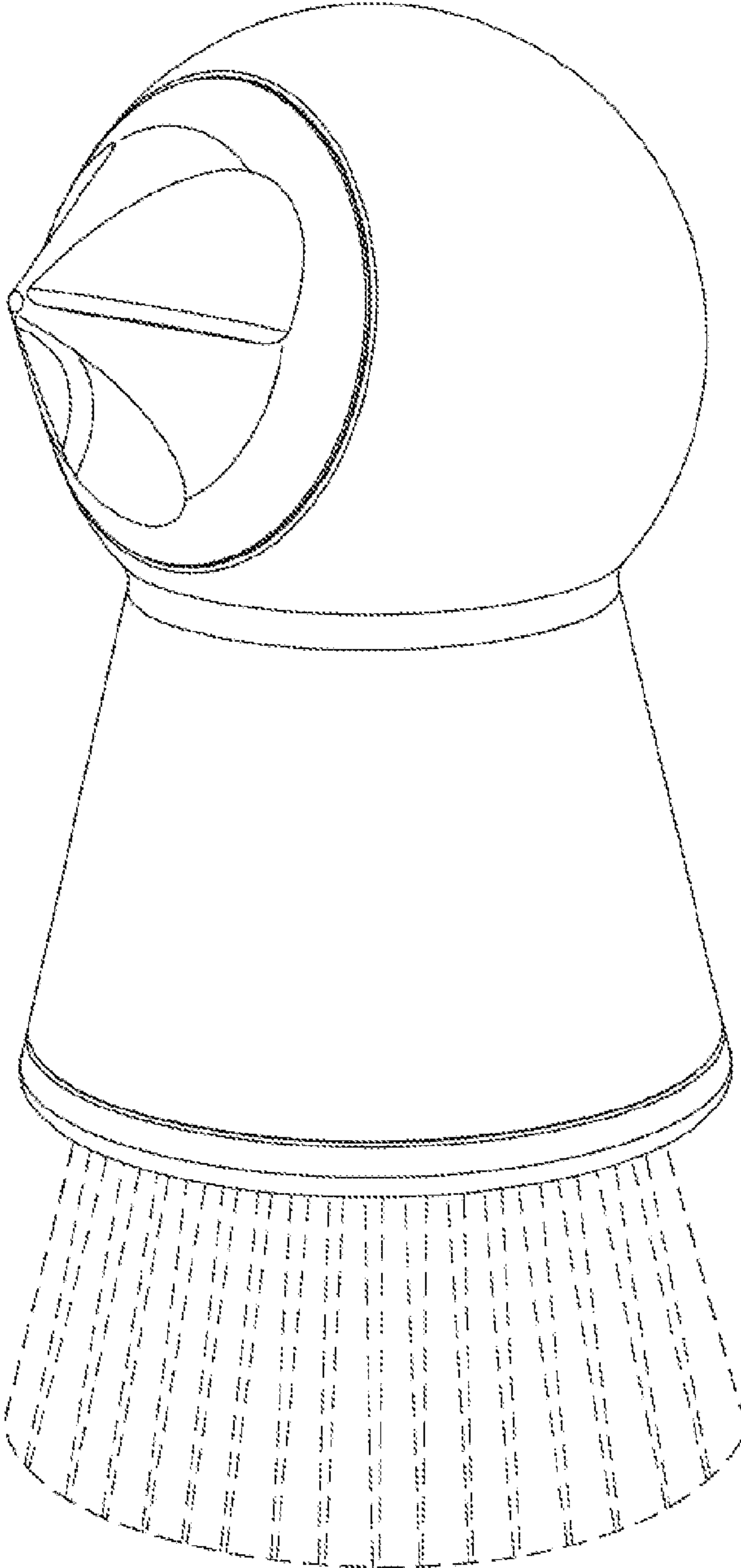


FIG. 1

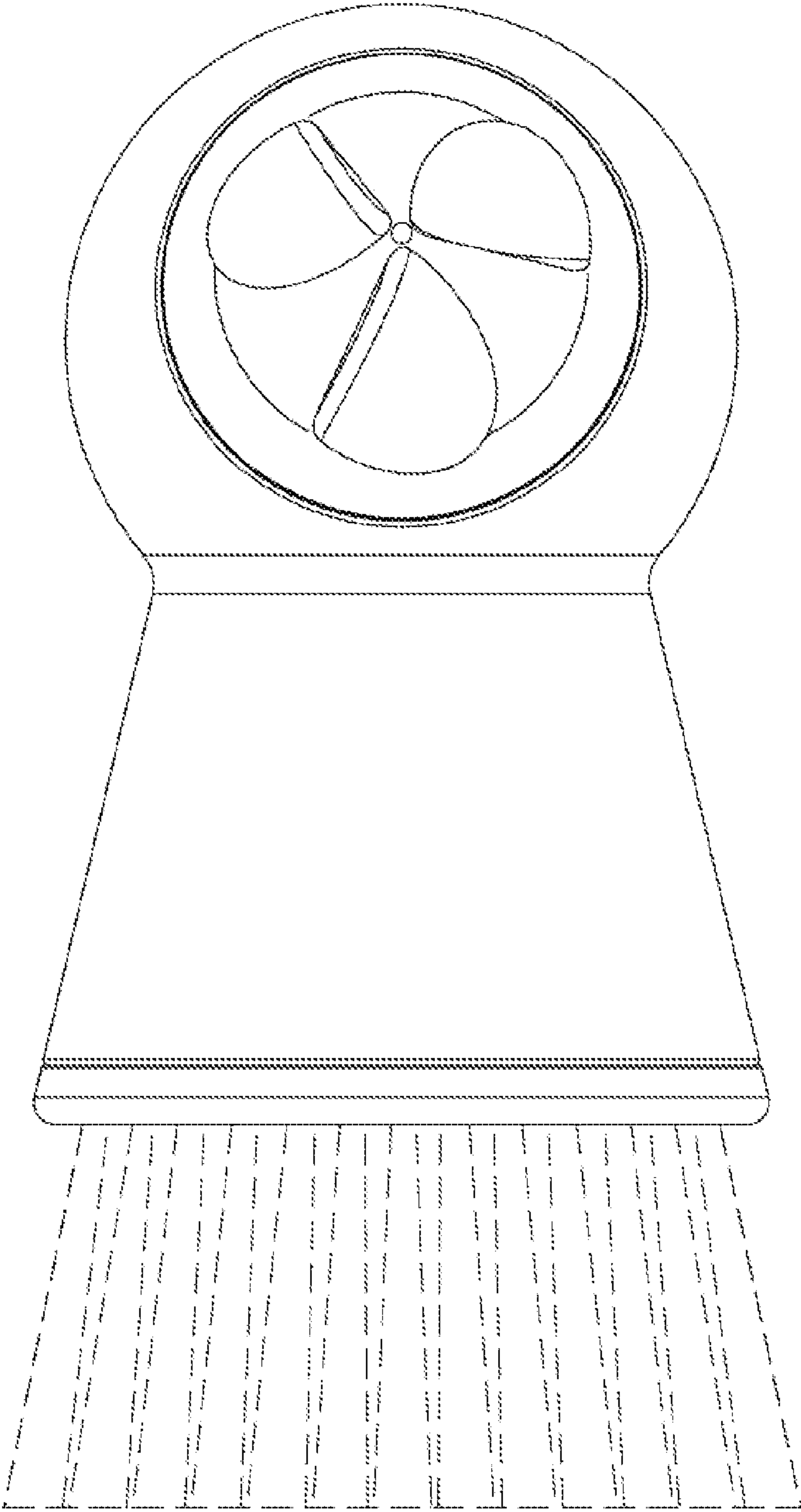


FIG.2

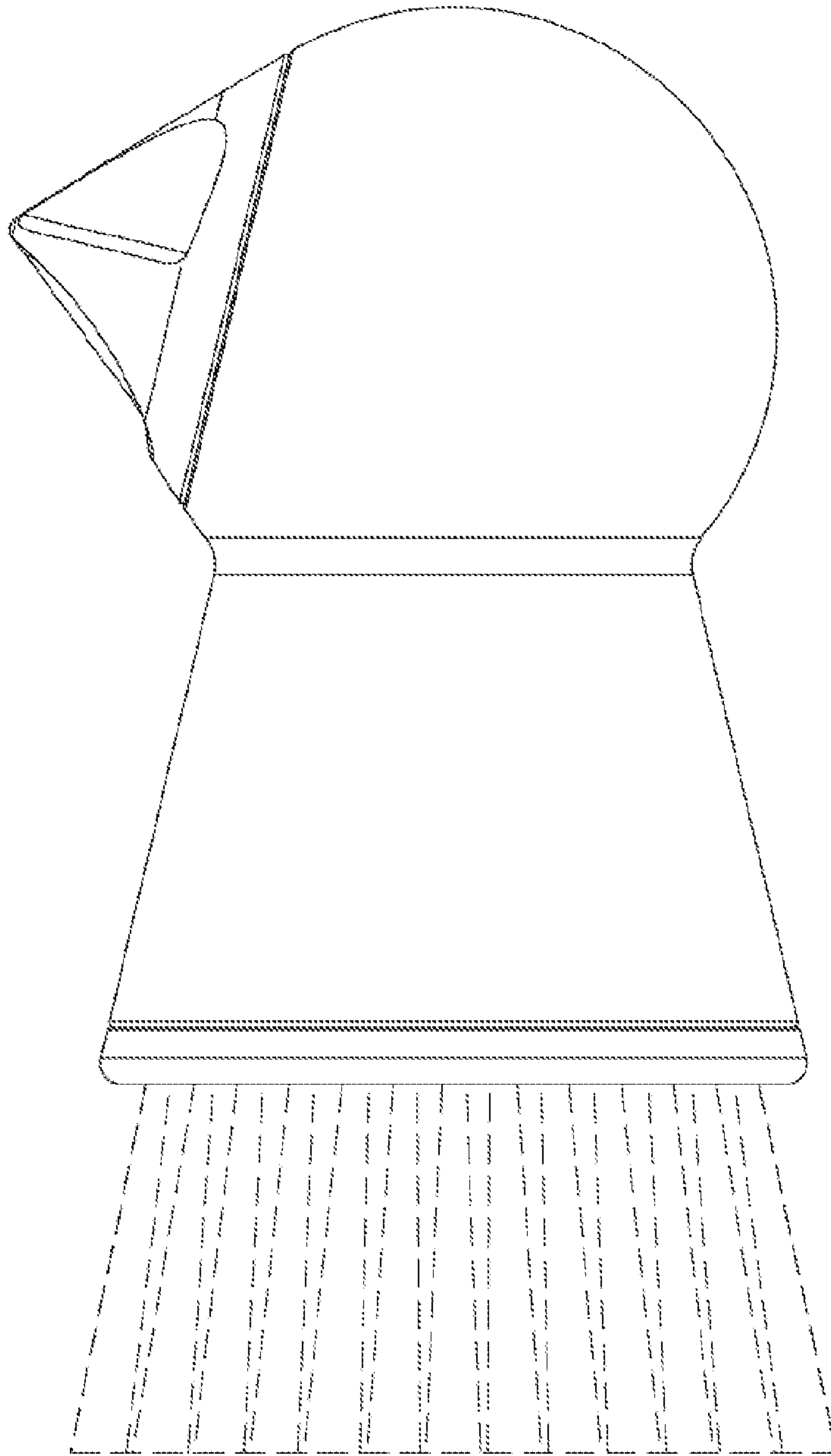


FIG.3

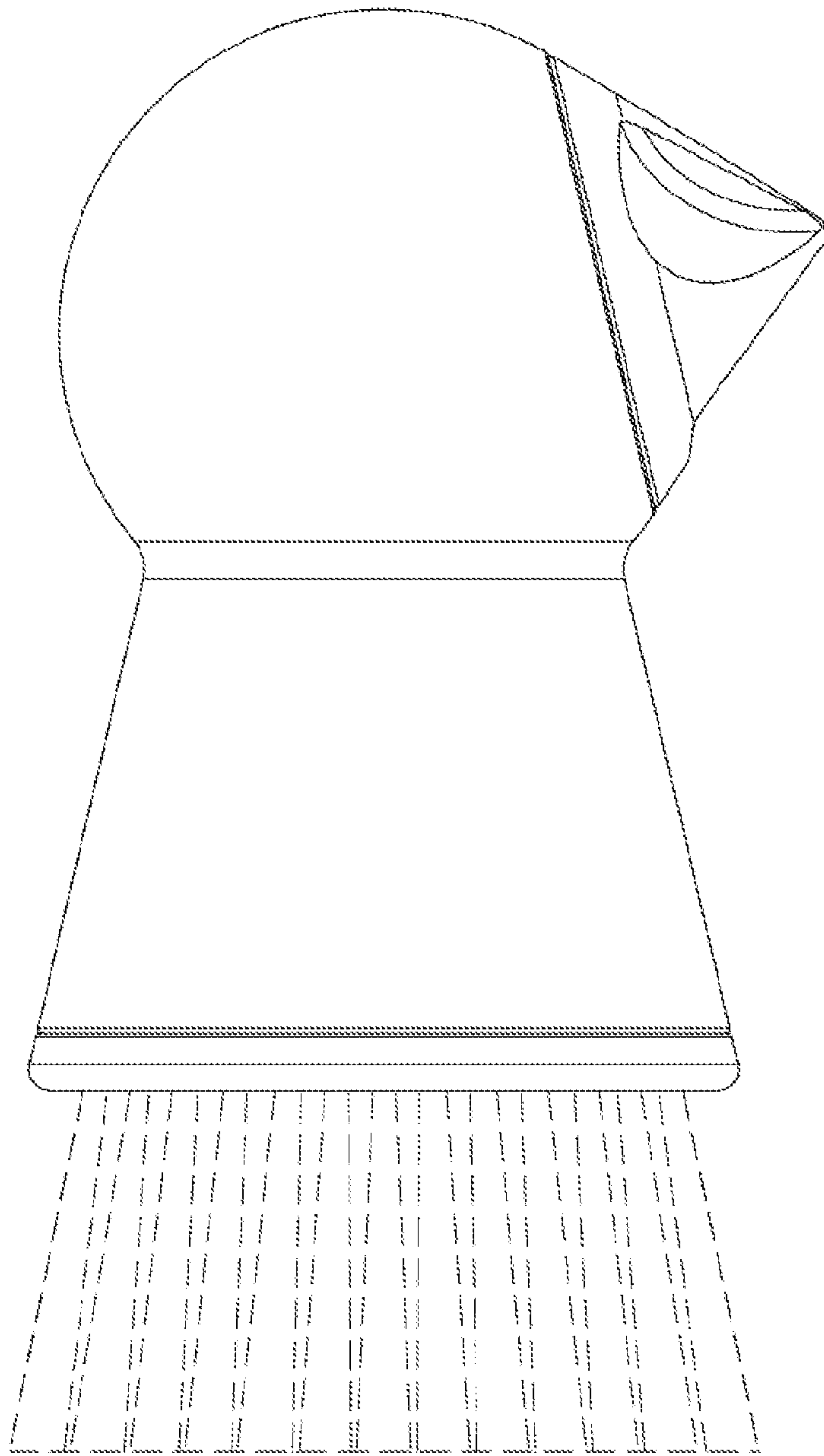


FIG. 4

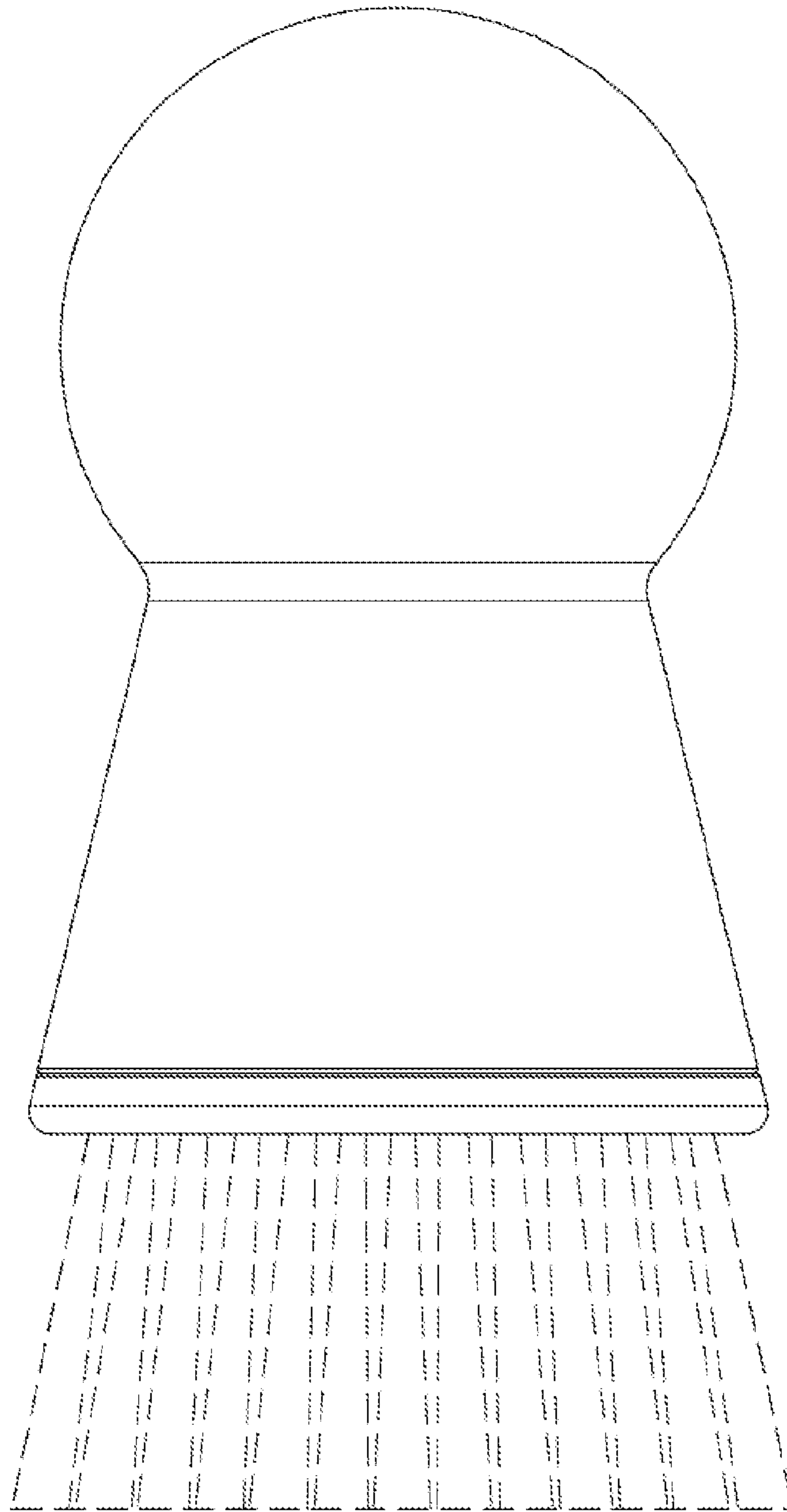


FIG. 5

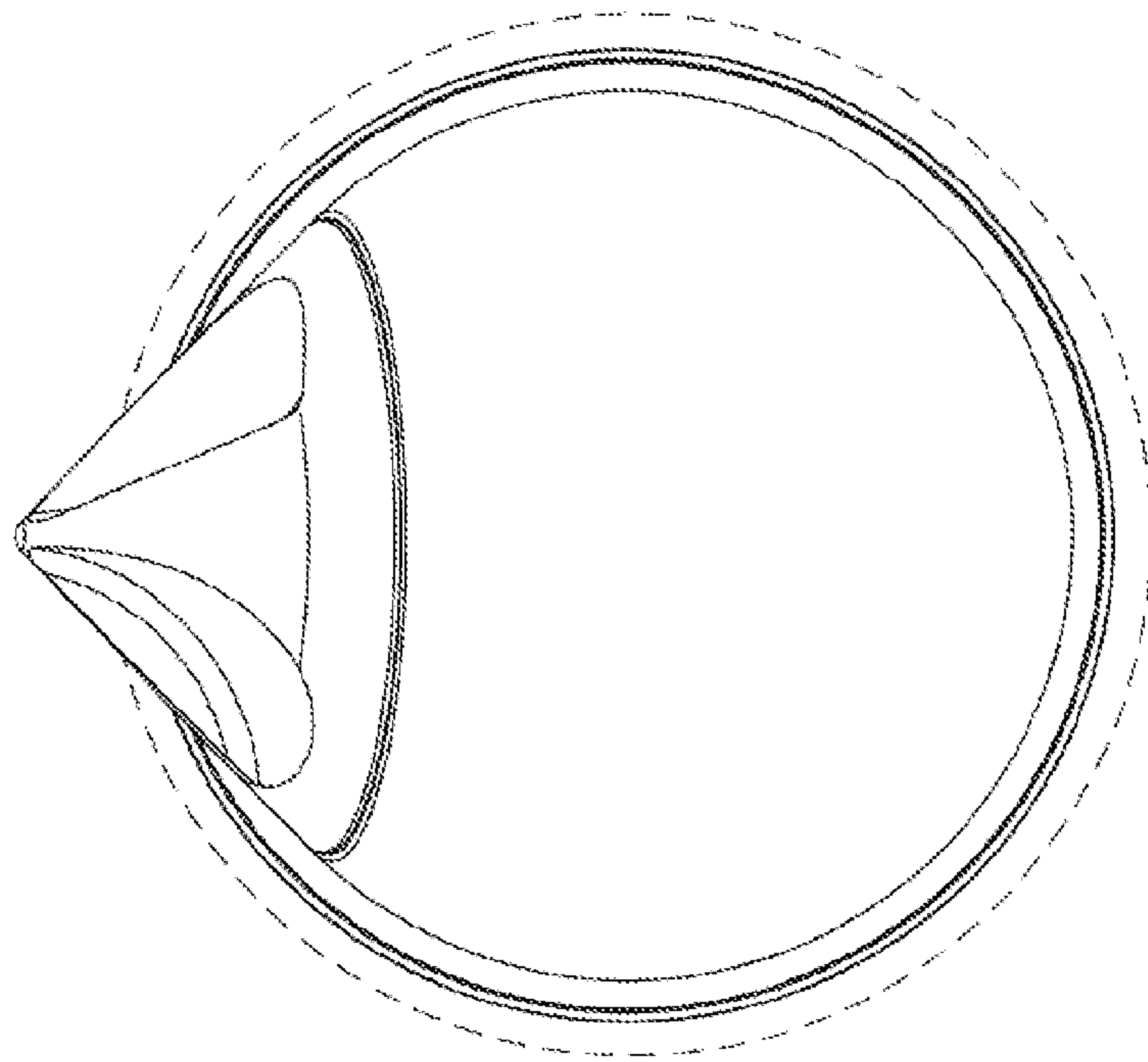


FIG.6