



US00D670077S

(12) **United States Design Patent**
Jiang

(10) **Patent No.:** **US D670,077 S**

(45) **Date of Patent:** **** Nov. 6, 2012**

(54) **SUPPORT PAD FOR A WALKING STICK**

(76) Inventor: **Jin Shan Jiang**, Taichung (TW)

(**) Term: **14 Years**

(21) Appl. No.: **29/397,973**

(22) Filed: **Jul. 25, 2011**

(30) **Foreign Application Priority Data**

Jun. 16, 2011 (TW) 98303541

(51) **LOC (9) Cl.** **03-03**

(52) **U.S. Cl.** **D3/17**

(58) **Field of Classification Search** D3/5-17;

135/66-69, 74, 75, 65, 70-73, 76-85; D21/725,

D21/780; D12/130, 133; D6/495

See application file for complete search history.

(56) **References Cited**

U.S. PATENT DOCUMENTS

D324,946 S * 3/1992 Karten D3/17

6,305,659 B1 * 10/2001 Metelski 248/519

6,557,188 B1 * 5/2003 Peterson 5/81.1 R

D618,453 S 6/2010 Jiang

D627,150 S * 11/2010 Chao D3/17

D632,476 S * 2/2011 Owens et al. D3/17

D635,351 S * 4/2011 White D3/17
2010/0313925 A1 * 12/2010 Jiang 135/82
2011/0220161 A1 * 9/2011 Jordan et al. 135/66
2011/0240077 A1 * 10/2011 Doherty et al. 135/71

* cited by examiner

Primary Examiner — T. Chase Nelson

Assistant Examiner — Ania Aman

(74) *Attorney, Agent, or Firm* — Guice Patents PLLC

(57) **CLAIM**

The ornamental design for a support pad for a walking stick, as shown and described.

DESCRIPTION

FIG. 1 is a perspective view of a support pad for a walking stick;

FIG. 2 is a front view thereof; a rear view, a right side view and a left side view of the support pad are identical to the front view;

FIG. 3 is a top view thereof;

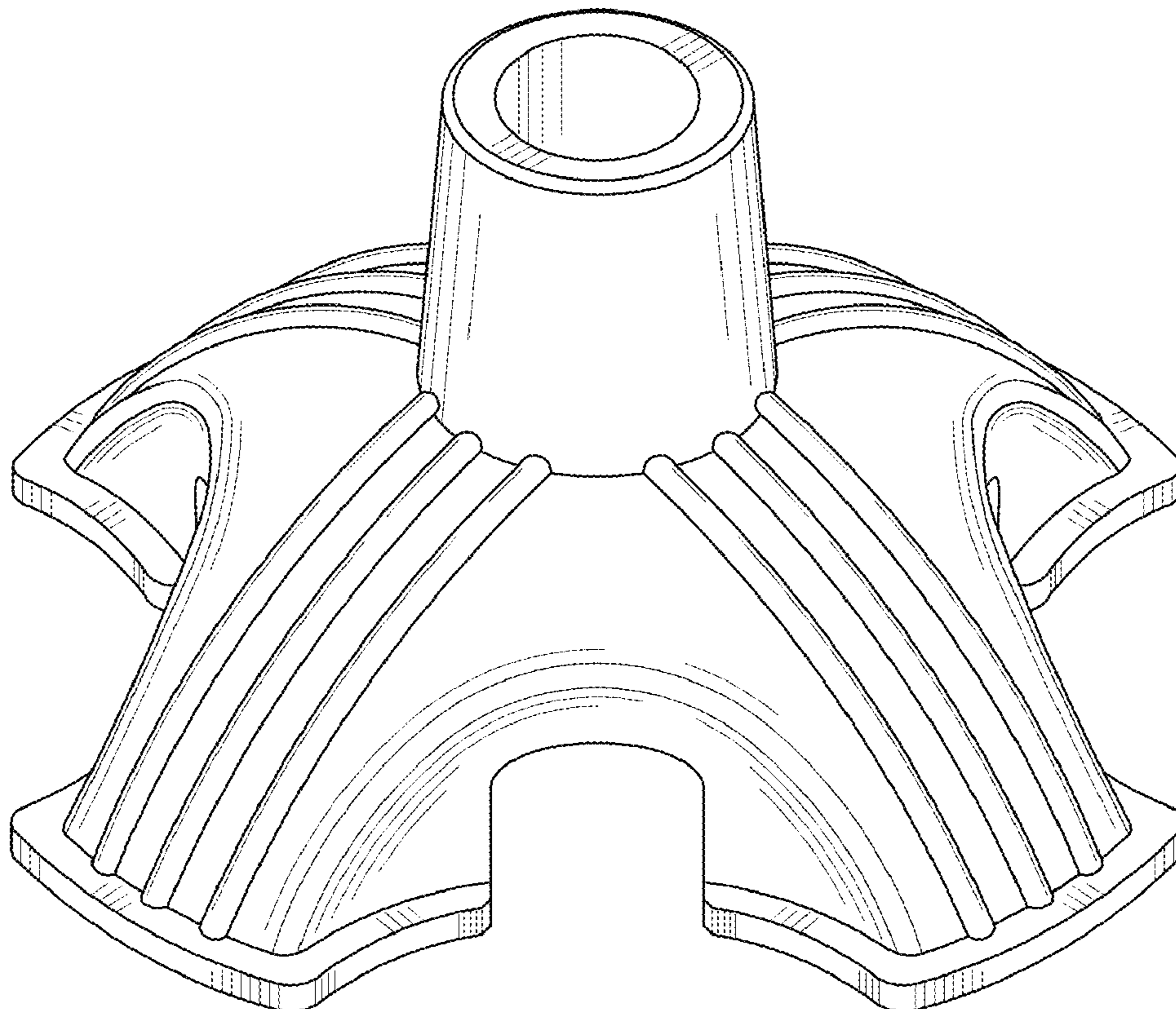
FIG. 4 is a bottom view thereof;

FIG. 5 is a sectional view taken along line 5-5 of FIG. 3; and,

FIG. 6 is a perspective view of the design shown the support pad mounted on the bottom end of a broken line walking stick.

In the drawings, the broken lines shown depict unclaimed subject matter only and form no part of the claimed design.

1 Claim, 6 Drawing Sheets



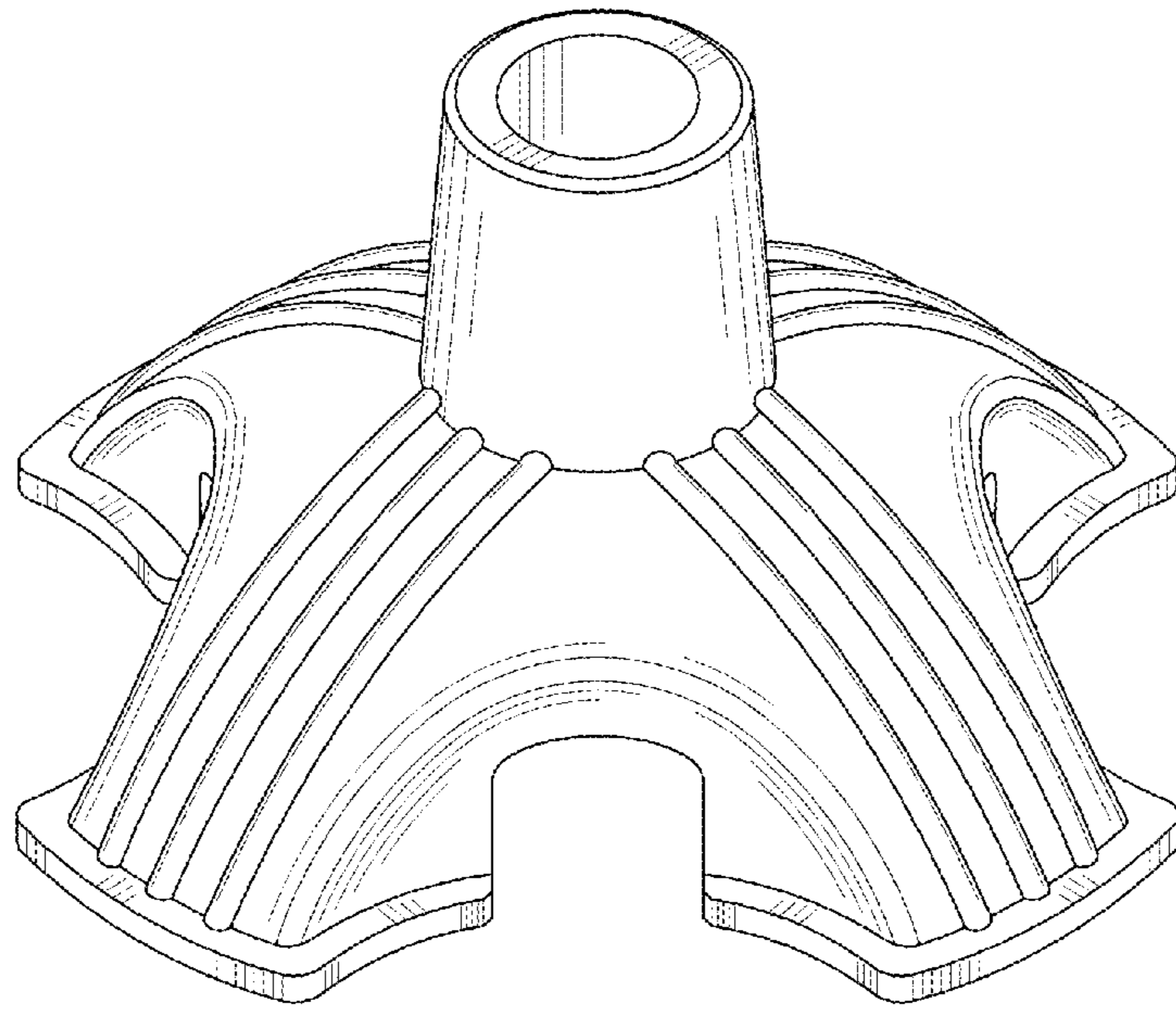


Fig. 1

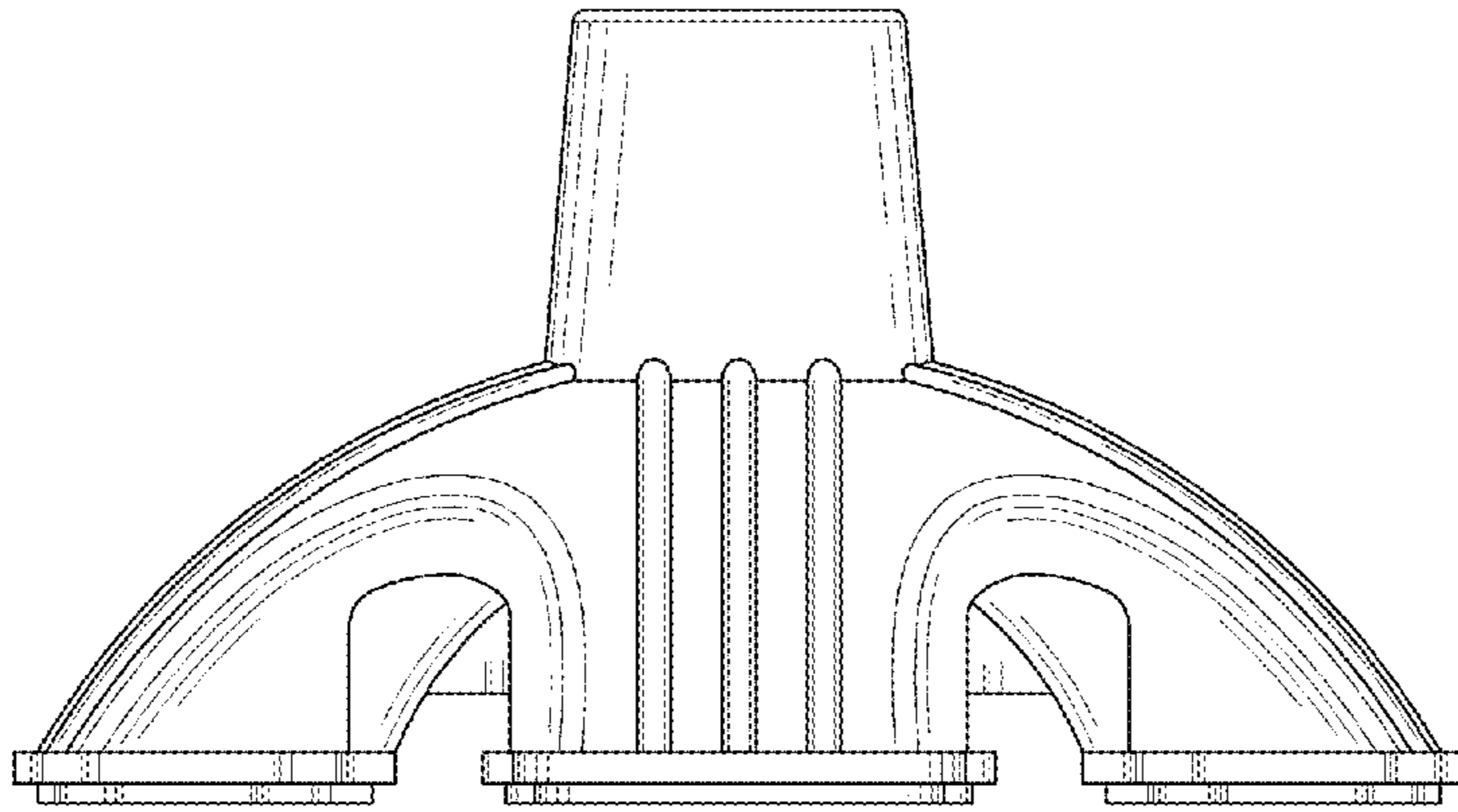


Fig. 2

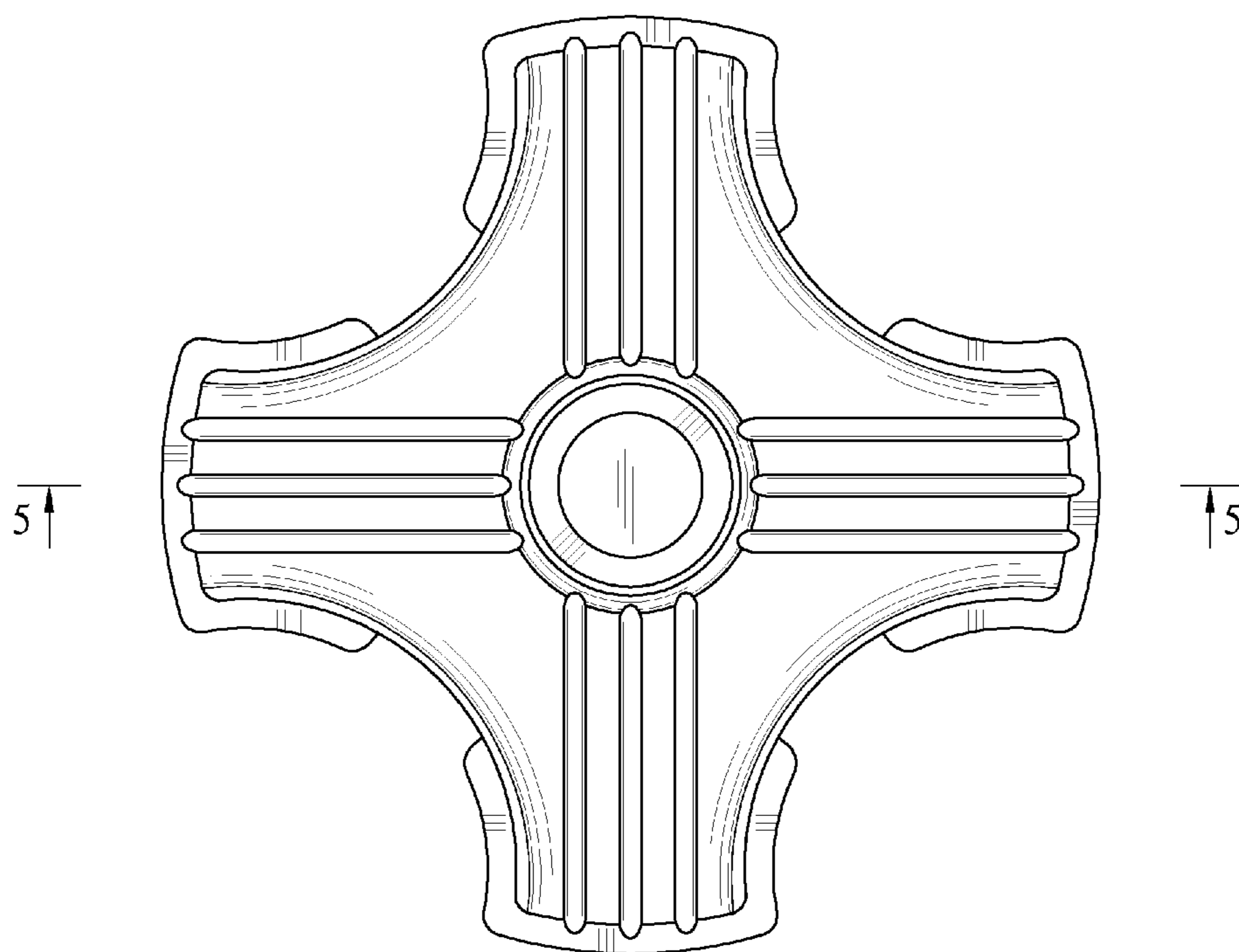


Fig. 3

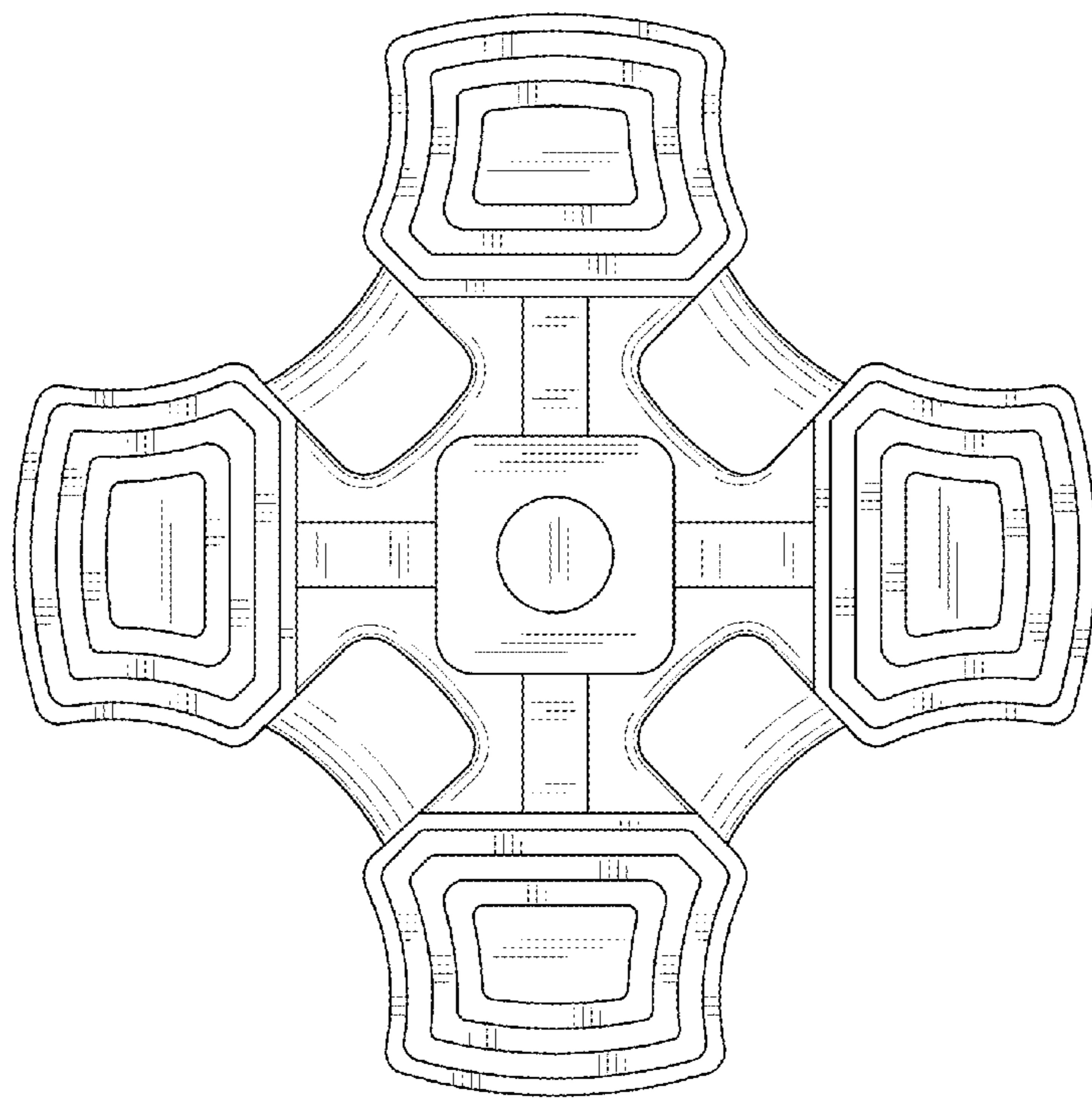


Fig. 4

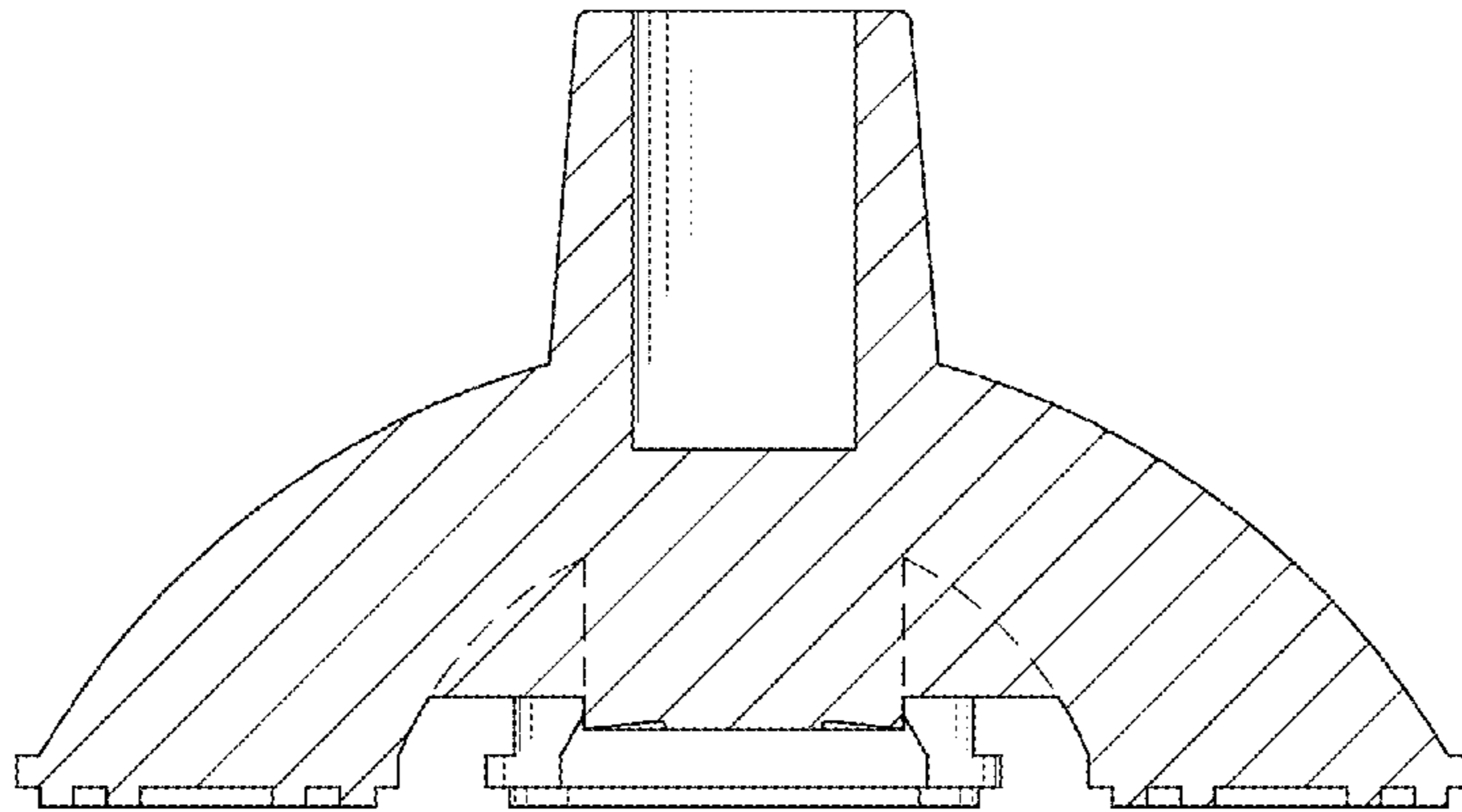


Fig. 5

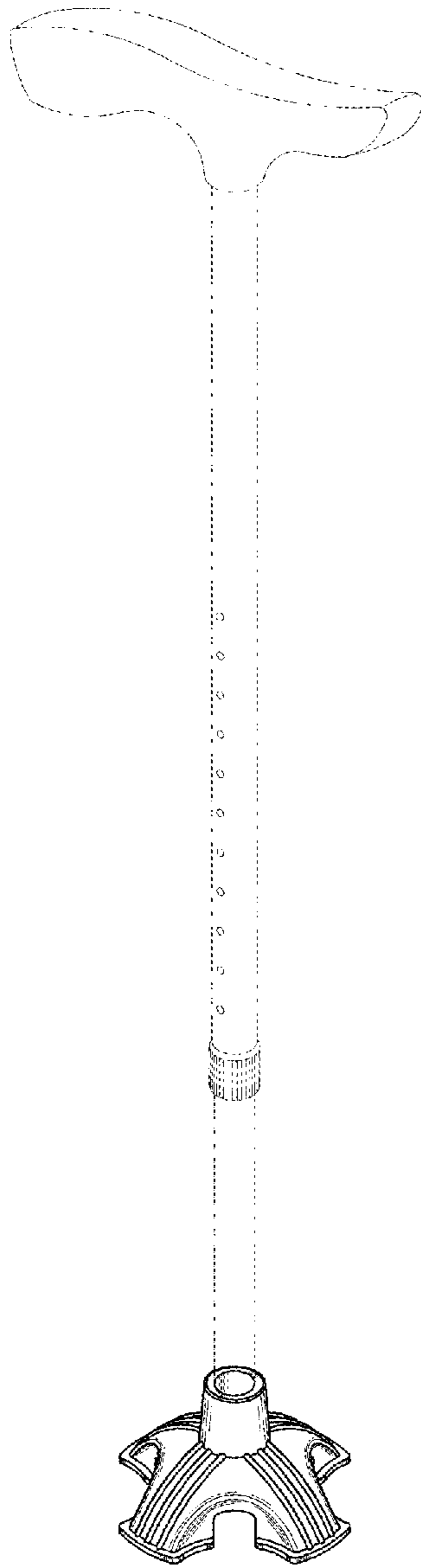


Fig. 6