



US00D670065S

(12) **United States Design Patent**  
**Riggs**

(10) **Patent No.:** **US D670,065 S**

(45) **Date of Patent:** **\*\* Oct. 30, 2012**

(54) **PALLET FOR HOLDING MATERIALS SUCH AS SEED BINS AND THE LIKE**

(75) **Inventor:** **Robert William Riggs**, Wando, SC (US)

(73) **Assignee:** **Custom Equipment Co., Inc.**, Wando, SC (US)

(\*\*) **Term:** **14 Years**

(21) **Appl. No.:** **29/409,649**

(22) **Filed:** **Dec. 27, 2011**

(51) **LOC (9) Cl.** ..... **09-08**

(52) **U.S. Cl.** ..... **D34/38**

(58) **Field of Classification Search** ..... D34/38;  
108/51.11, 51.3, 52.1, 53.1, 53.3, 53.5, 55.1,  
108/56.1, 57.3; 248/346.02

See application file for complete search history.

(56) **References Cited**

**U.S. PATENT DOCUMENTS**

2,351,293	A *	6/1944	Saunders	.....	482/147
2,704,600	A *	3/1955	Despres	.....	206/392
3,424,110	A *	1/1969	Toot	.....	108/53.3
D241,729	S *	10/1976	McCorkle et al.	.....	D34/38
5,769,003	A *	6/1998	Rose et al.	.....	108/55.3
5,833,207	A *	11/1998	Hagenhoff et al.	.....	248/678

D417,327	S *	11/1999	Craig	.....	D34/28
D432,284	S *	10/2000	Lux, Jr.	.....	D34/38
D508,300	S *	8/2005	O'Dell et al.	.....	D34/38
D589,673	S *	3/2009	Kuhlmann et al.	.....	D34/38
D590,123	S *	4/2009	Hermans	.....	D34/38
2003/0230691	A1 *	12/2003	Shackleton	.....	248/346.01
2009/0053033	A1 *	2/2009	Barbalho et al.	.....	414/802

\* cited by examiner

*Primary Examiner* — Cynthia Ramirez

(74) *Attorney, Agent, or Firm* — Tristan A. Fuierer; Moore & Van Allen, PLLC

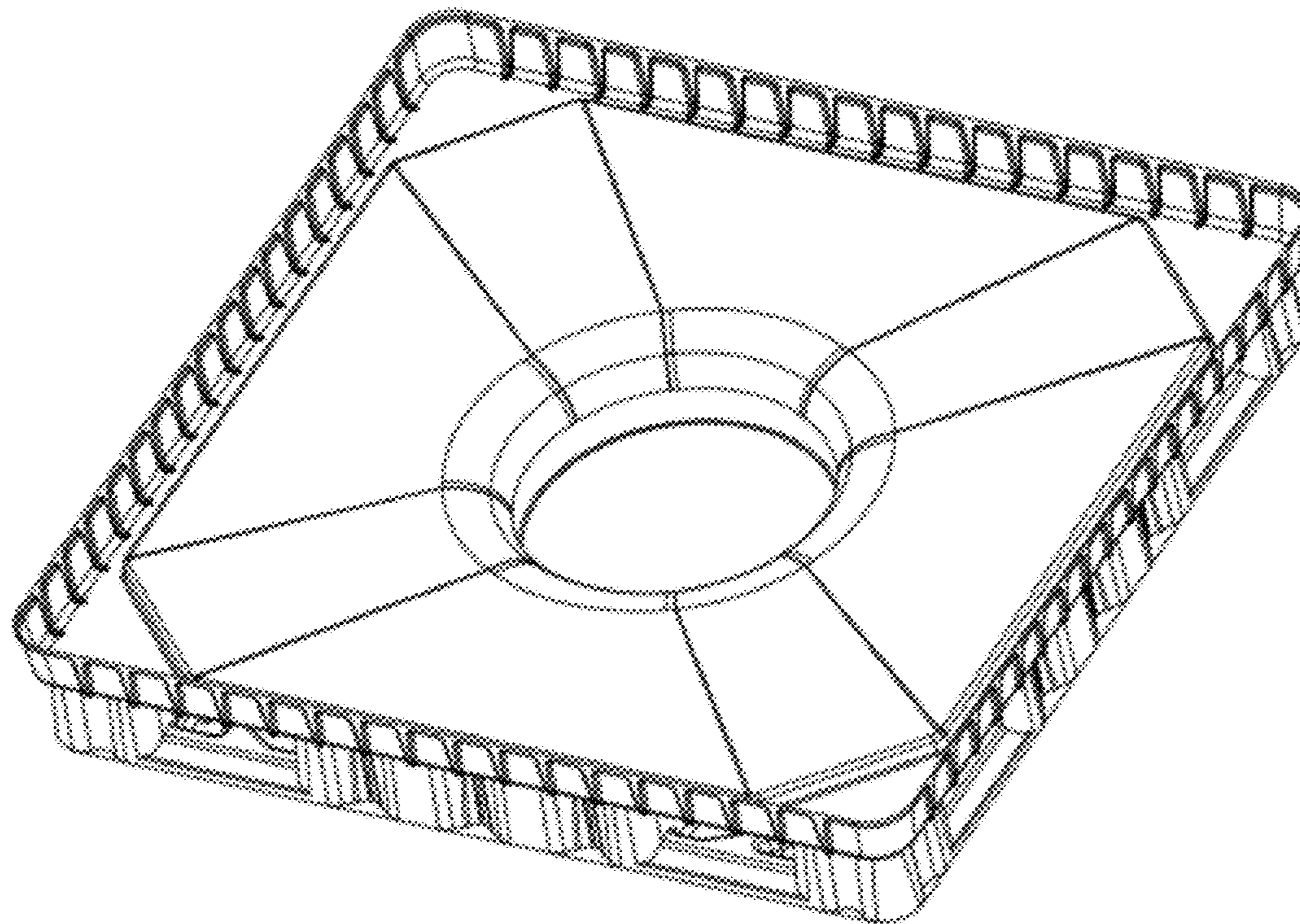
(57) **CLAIM**

The ornamental design for a pallet for holding materials such as seed bins and the like, as shown and described.

**DESCRIPTION**

FIG. 1 is a perspective view of a pallet for holding materials such as seed bins and the like showing my new design; FIG. 2 is a top plan view of the pallet of FIG. 1; FIG. 3 is a side view of the pallet of FIG. 1; FIG. 4 is a another side view of the pallet of FIG. 1; FIG. 5 is a bottom plan view of the pallet of FIG. 1; and, FIG. 6 is a perspective view of the bottom of the pallet of FIG. 1.

**1 Claim, 6 Drawing Sheets**



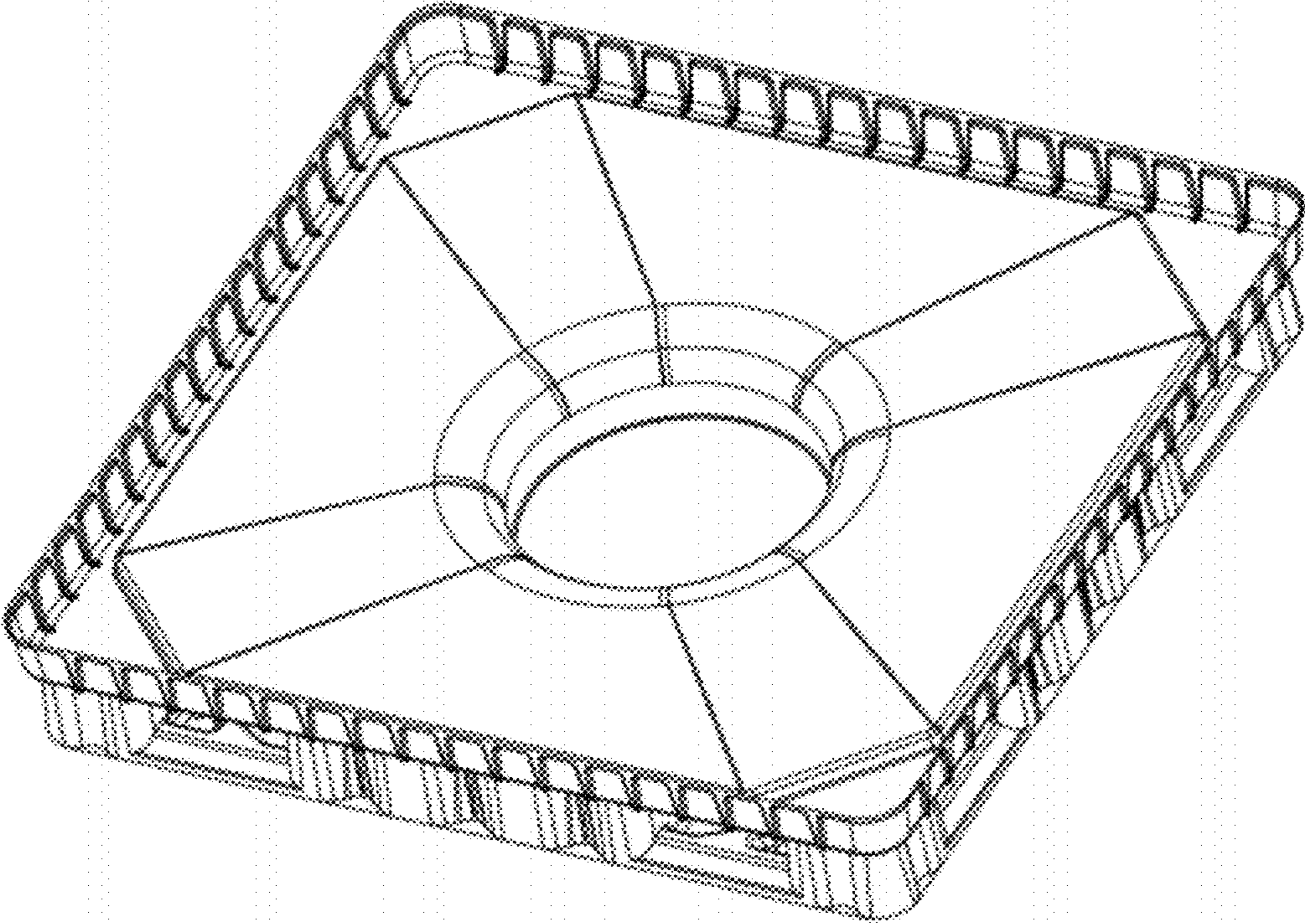


FIGURE 1

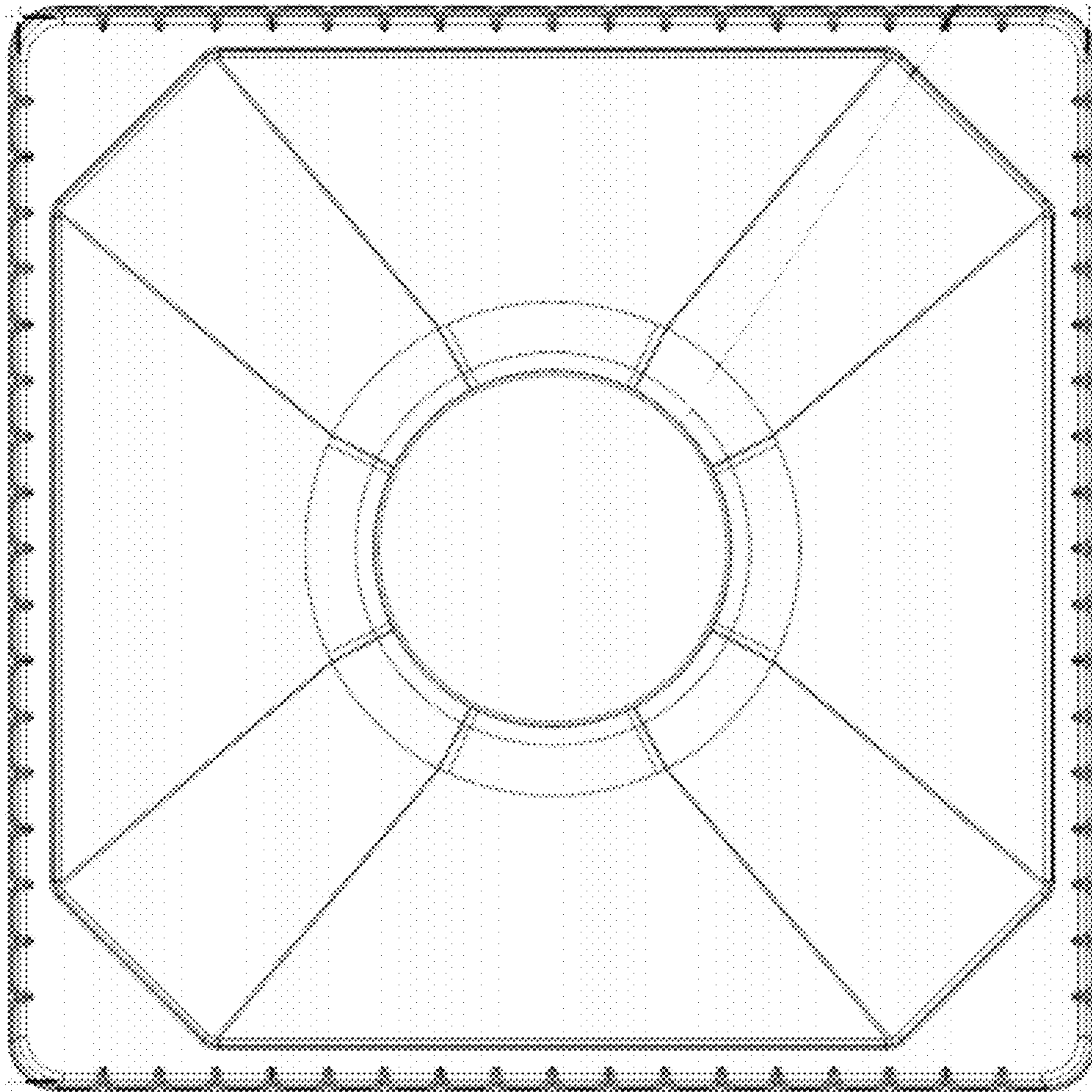


FIGURE 2

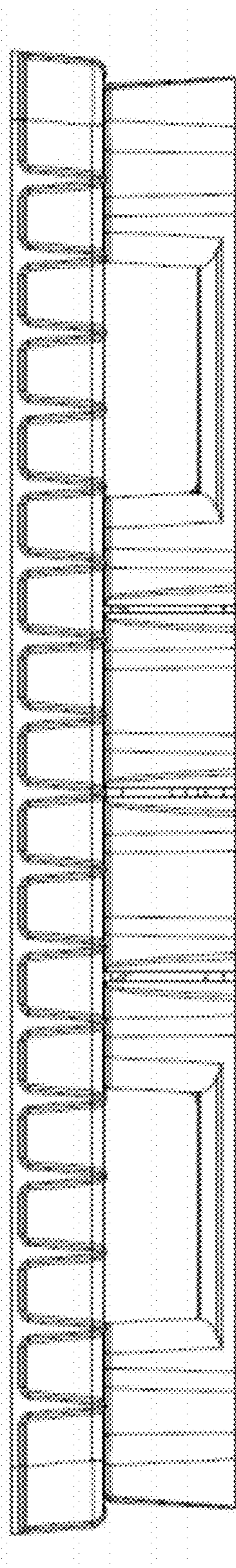


FIGURE 3

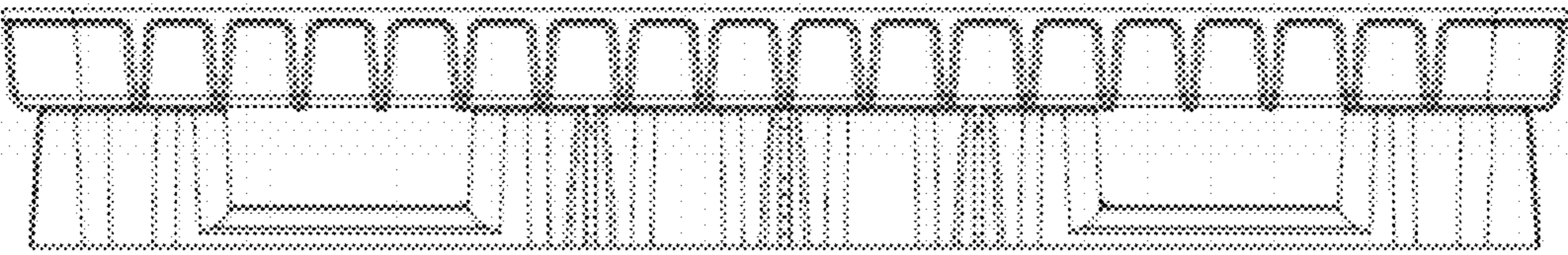


FIGURE 4

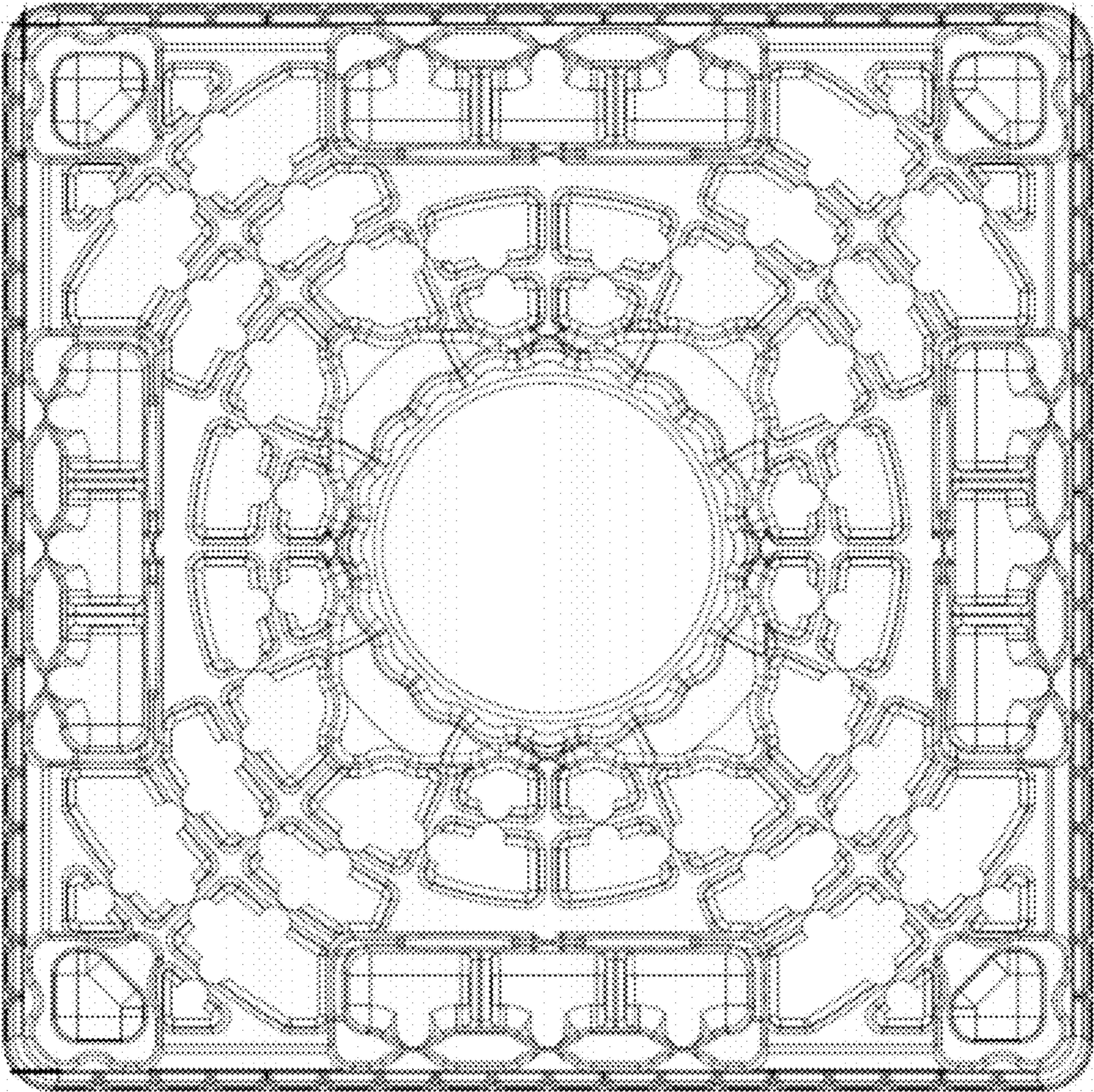


FIGURE 5

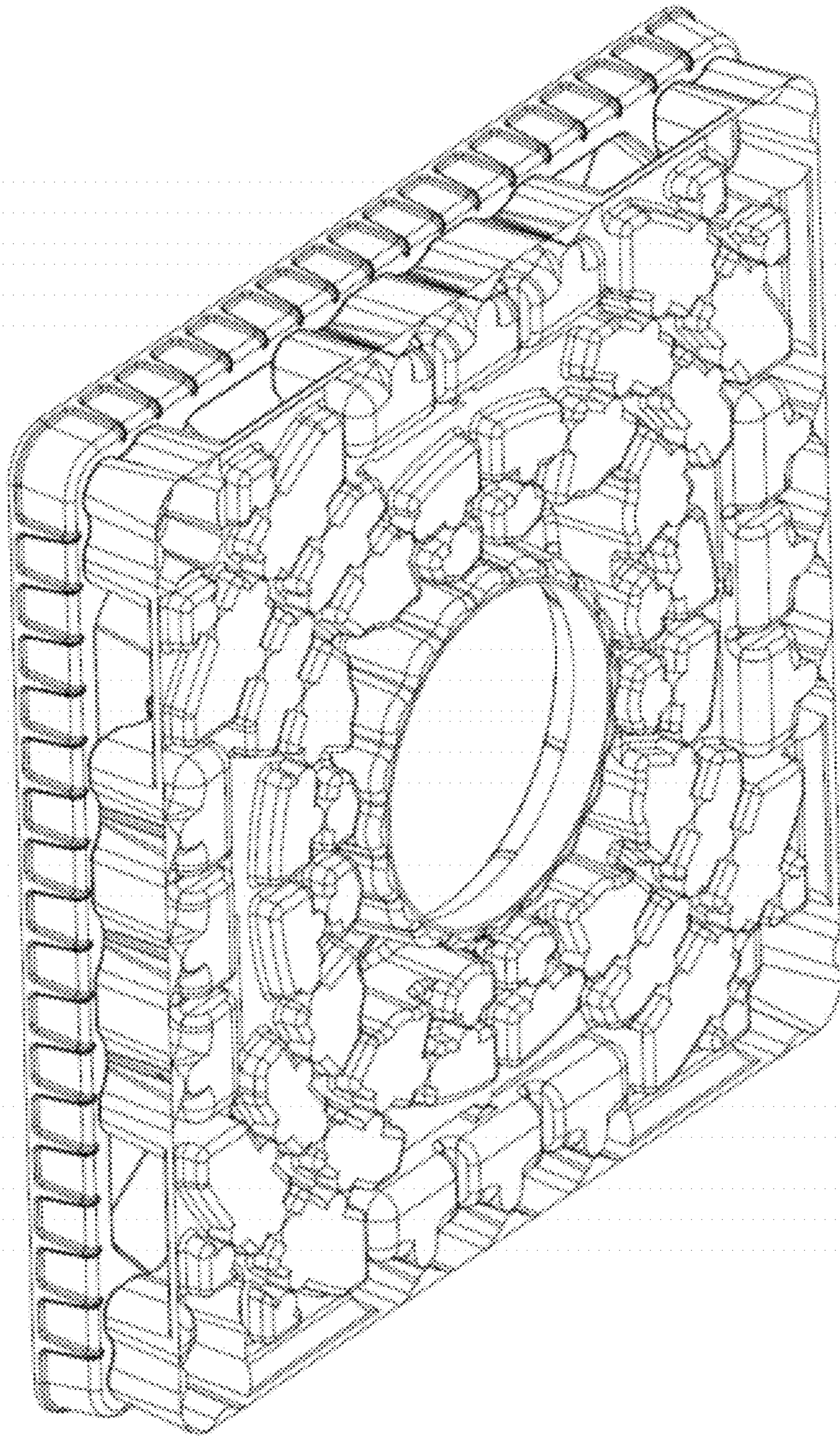


FIGURE 6