

US00D670064S

(12) **United States Design Patent**  
Steen et al.

(10) **Patent No.:** **US D670,064 S**

(45) **Date of Patent:** **\*\* Oct. 30, 2012**

(54) **STRUCTURAL ARRANGEMENT FOR AN IN OVO INJECTION DEVICE**

(75) Inventors: **Paul Archie Steen**, Apex, NC (US);  
**Michael Glenn Schnupper**, Raleigh, NC (US); **Daniel Scott Rees**, Zebulon, NC (US)

(73) Assignee: **Pfizer Inc.**, New York, NY (US)

(\*\*) Term: **14 Years**

(21) Appl. No.: **29/404,956**

(22) Filed: **Oct. 27, 2011**

(51) **LOC (9) Cl.** ..... **12-05**

(52) **U.S. Cl.** ..... **D34/29**

(58) **Field of Classification Search** ..... D34/28,  
D34/29, 35; 119/6.8; 198/475.1, 860.1,  
198/861.1, 429, 430

See application file for complete search history.

(56) **References Cited**

**U.S. PATENT DOCUMENTS**

D170,329	S	*	9/1953	Miller	.....	D15/141
D208,241	S	*	8/1967	Tilus	.....	D34/29
4,723,647	A	*	2/1988	Norton et al.	.....	198/364
4,987,992	A	*	1/1991	Pfleger	.....	198/475.1
D364,025	S	*	11/1995	Davis	.....	D34/29
D371,667	S	*	7/1996	Poole	.....	D34/29
D379,019	S	*	4/1997	Hubbard	.....	D34/29
5,699,751	A	*	12/1997	Phelps et al.	.....	119/6.8
D402,781	S	*	12/1998	Helmetsie et al.	.....	D34/29
6,032,612	A	*	3/2000	Williams	.....	119/6.8

6,244,214	B1	*	6/2001	Hebrank	.....	119/6.8
6,981,470	B2	*	1/2006	Gross et al.	.....	119/322
7,516,967	B2	*	4/2009	Schwei et al.	.....	280/79.2
2004/0144324	A1	*	7/2004	Gross et al.	.....	119/6.8
2009/0183685	A1	*	7/2009	Correa et al.	.....	119/6.8
2011/0067633	A1	*	3/2011	Correa et al.	.....	119/6.8

**OTHER PUBLICATIONS**

Merial © 2009, ManualJect™ System, Making In-ovo Technology available to all, WayBackMachine, <http://web.archive.org/web/20100102060800/http://merial.com/Products/Avian/manualject.aspx>.

\* cited by examiner

*Primary Examiner* — Cynthia Ramirez

(74) *Attorney, Agent, or Firm* — Barbara L. Renda; Scott C. Mayhew

(57) **CLAIM**

The ornamental design for a structural arrangement for an in ovo injection device, as shown and described.

**DESCRIPTION**

FIG. 1 is an isometric view of a structural arrangement for an in ovo injection device in accordance with the present design; FIG. 2 is a top front perspective view thereof; FIG. 3 is a top rear perspective view thereof; FIG. 4 is a bottom front perspective view thereof; FIG. 5 is a side perspective view thereof; FIG. 6 is another side perspective view thereof; FIG. 7 is a rear perspective view thereof; FIG. 8 is a front perspective view thereof; FIG. 9 is a top perspective view thereof; and, FIG. 10 is a bottom perspective view thereof.

**1 Claim, 10 Drawing Sheets**

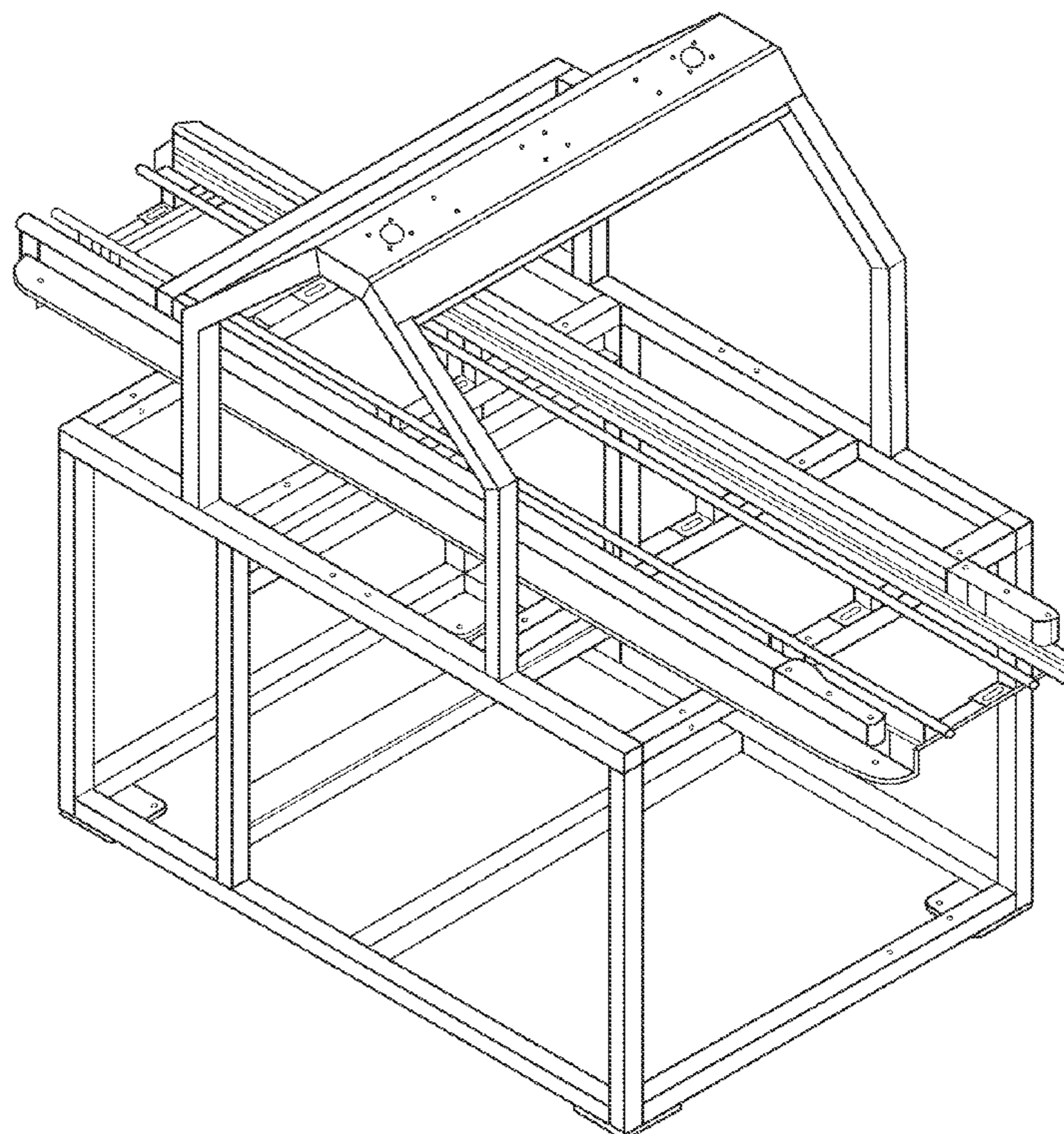


FIG. 1

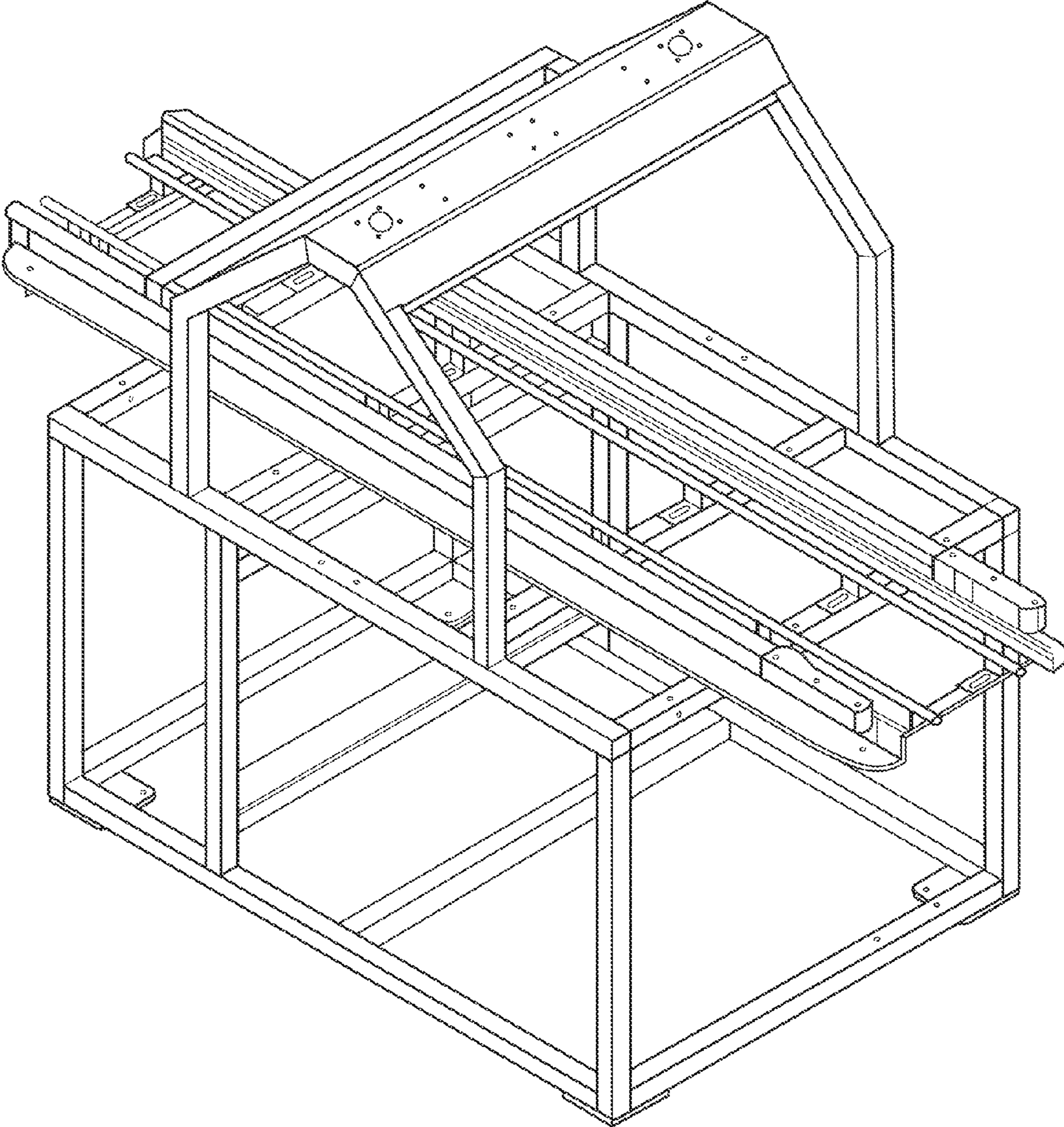


FIG. 2

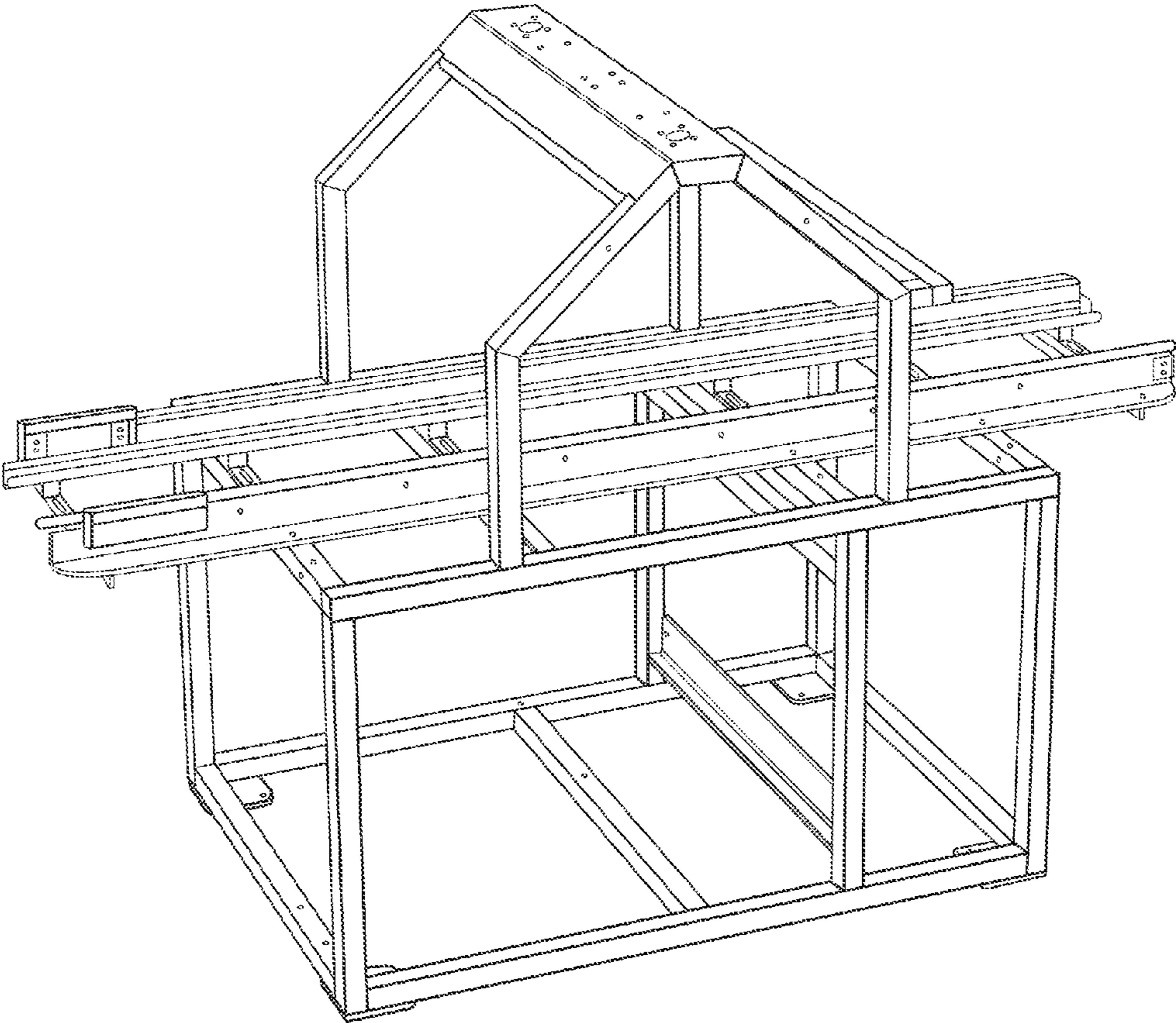


FIG. 3

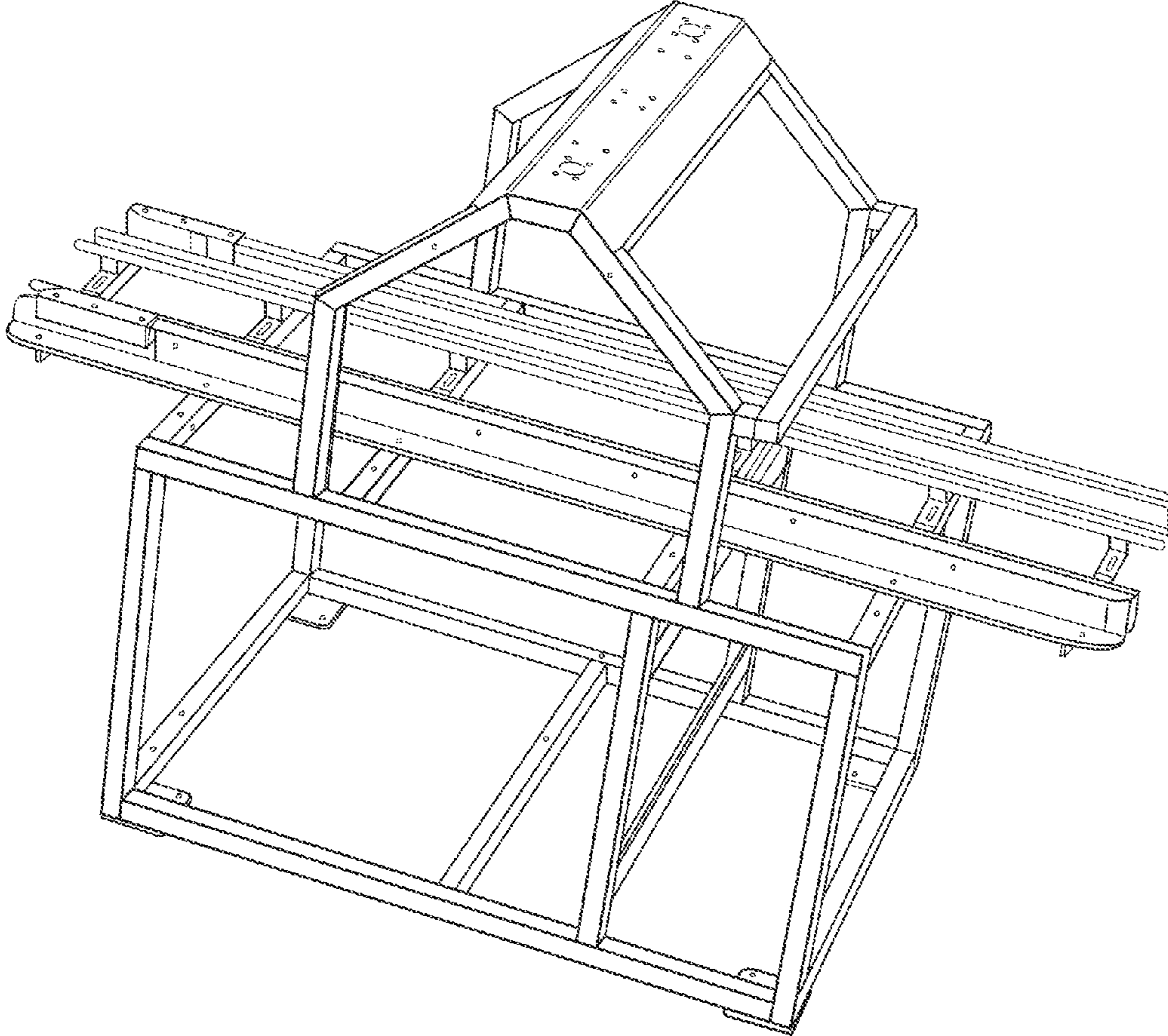


FIG. 4

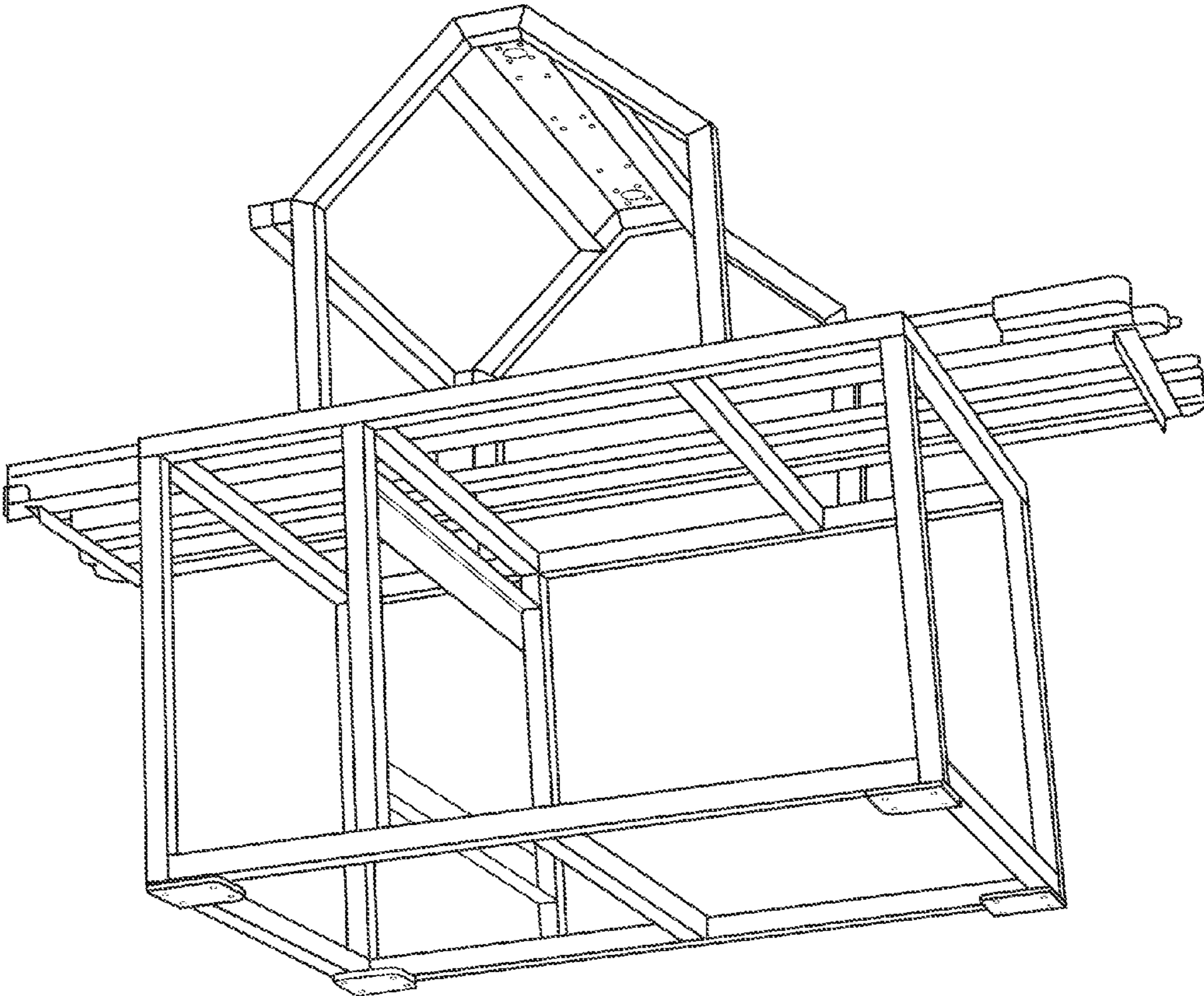


FIG. 5

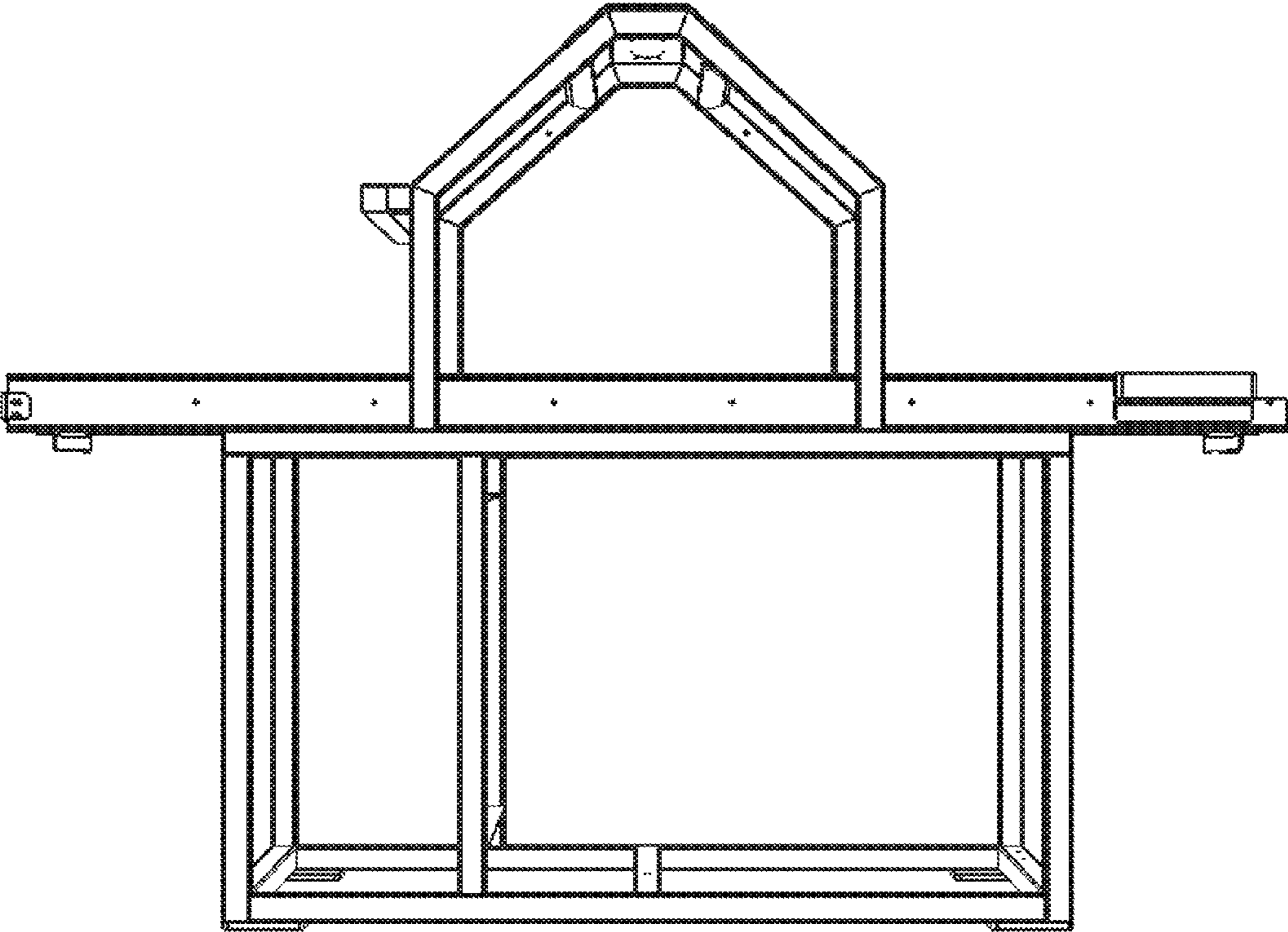


FIG. 6

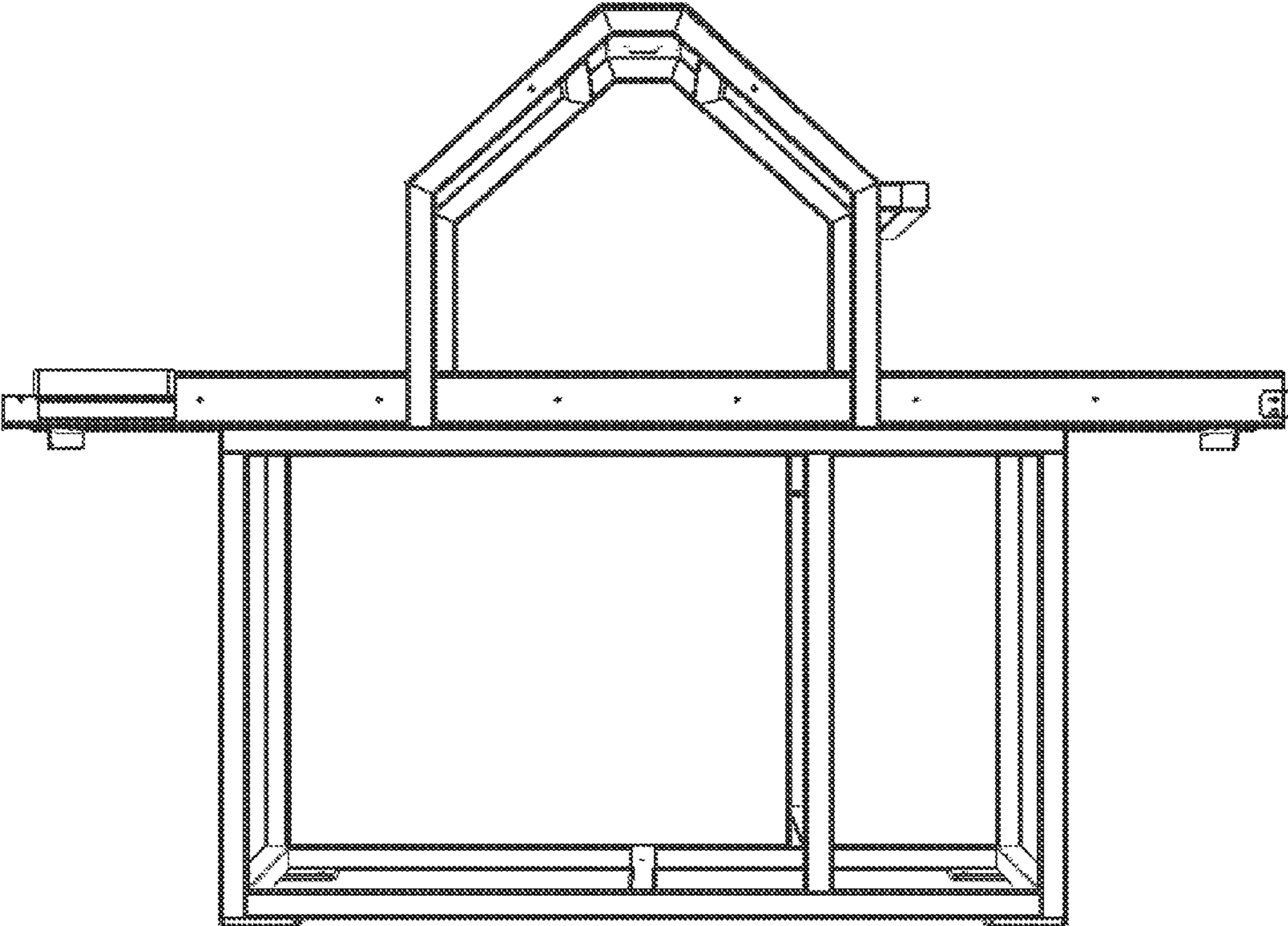


FIG. 7

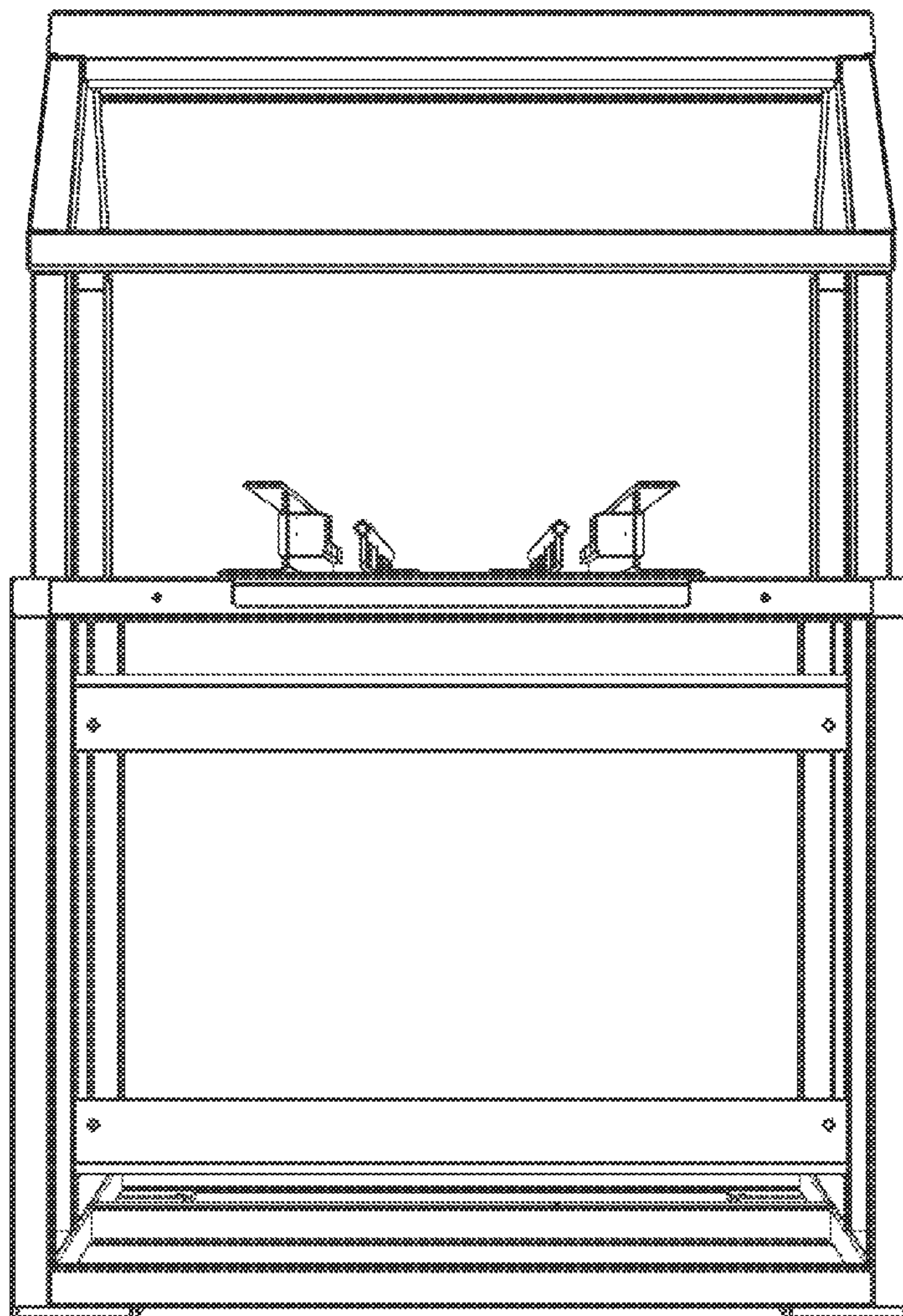




FIG. 8

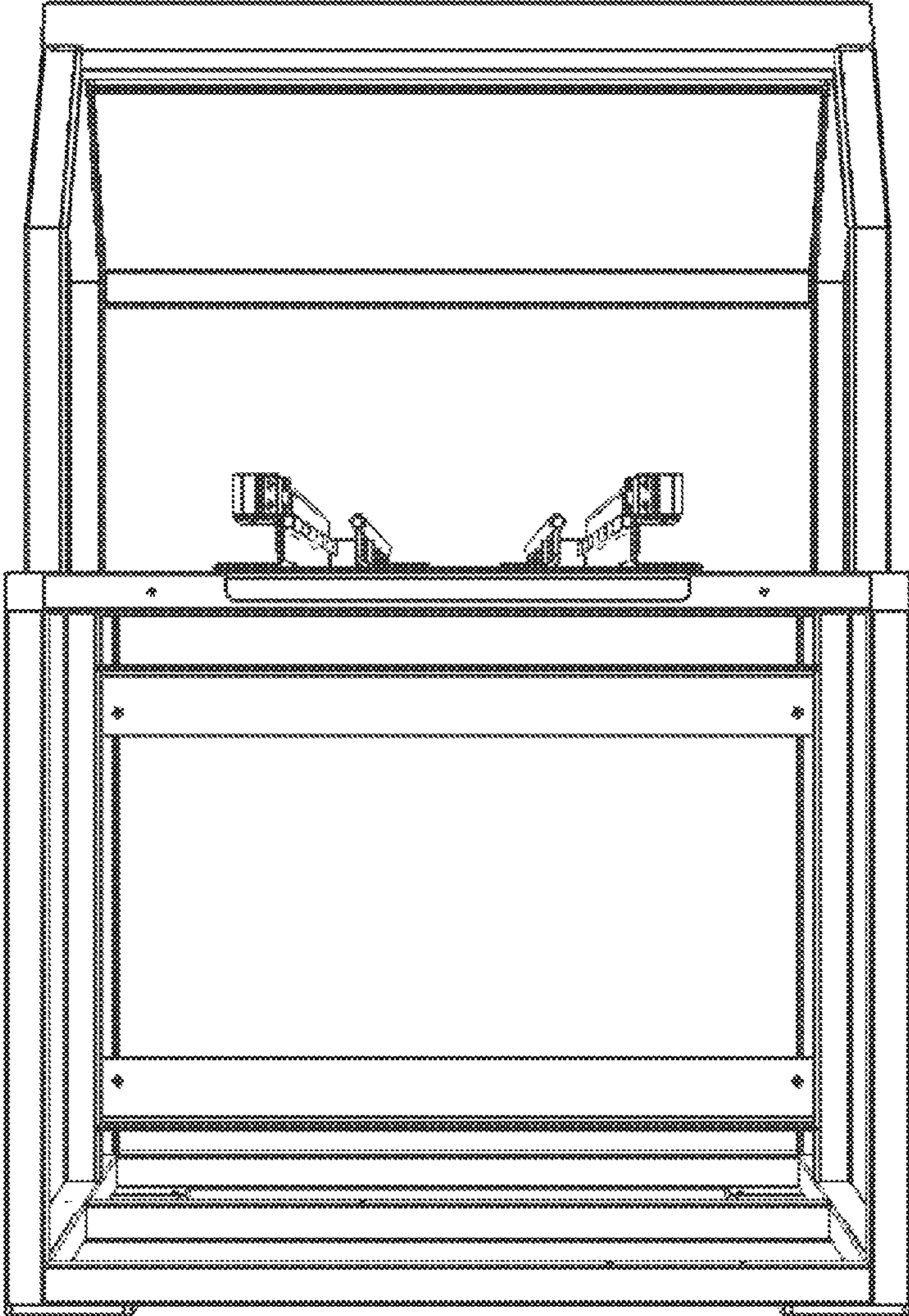


FIG. 9

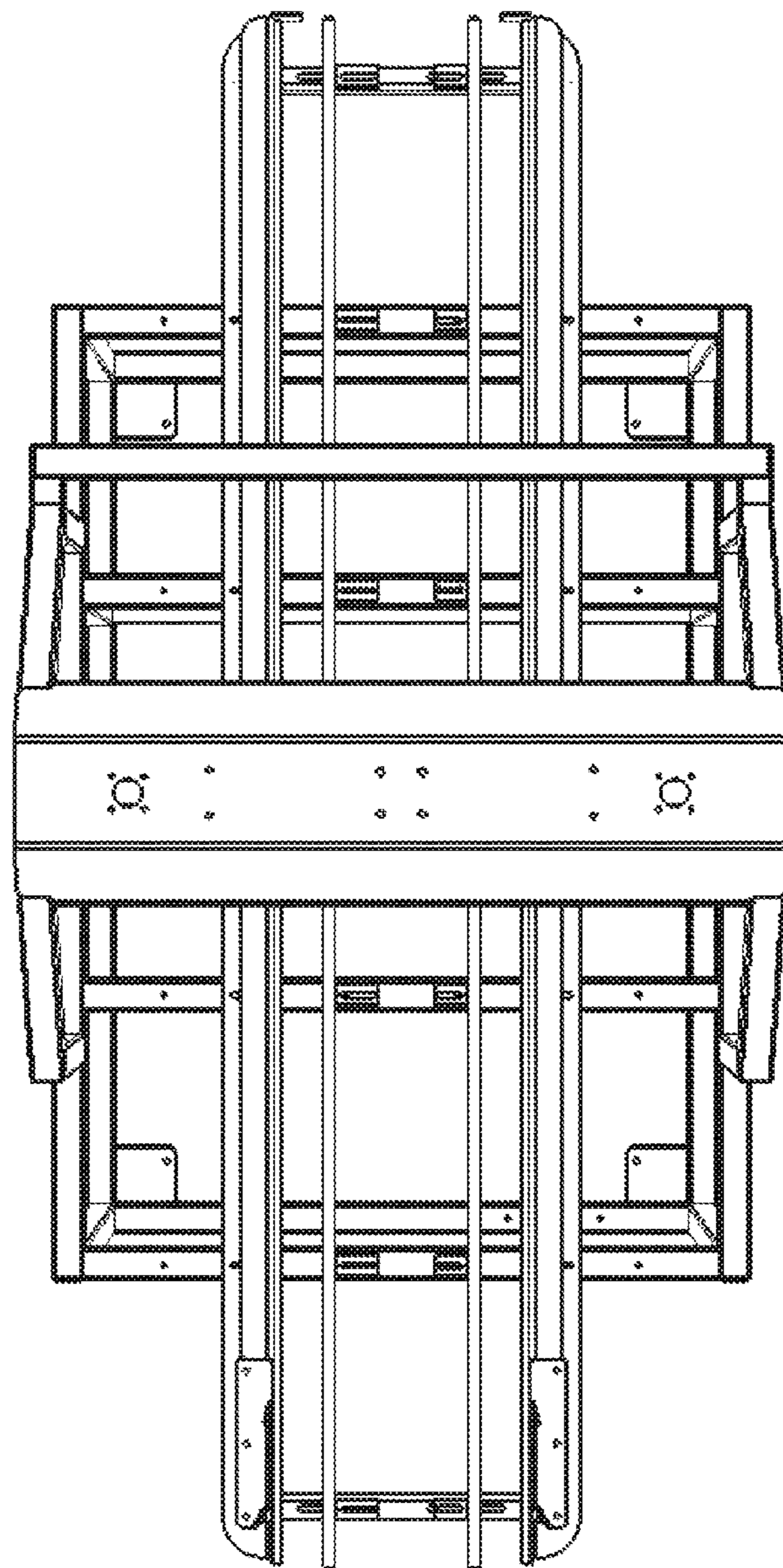


FIG. 10

