



US00D670058S

(12) **United States Design Patent**
Cooper

(10) **Patent No.:** **US D670,058 S**

(45) **Date of Patent:** **** Oct. 30, 2012**

(54) **COMBINED BOOT AND GLOVE DRYER**

(76) **Inventor:** **Martin Cooper**, Owen Sound (CA)

(**) **Term:** **14 Years**

(21) **Appl. No.:** **29/420,367**

(22) **Filed:** **May 8, 2012**

(51) **LOC (9) Cl.** **07-05**

(52) **U.S. Cl.** **D32/58**

(58) **Field of Classification Search** D32/8,
D32/58, 59; D24/109; D7/708; 34/90, 600,
34/523, 441, 381, 240, 106, 105, 104, 103;
D2/979

See application file for complete search history.

(56) **References Cited**

U.S. PATENT DOCUMENTS

| | | | | | |
|-----------|------|---------|----------------|-------|----------|
| 3,675,815 | A * | 7/1972 | Rehrig | | 206/507 |
| 6,415,934 | B1 * | 7/2002 | Veltrop et al. | | 211/85.4 |
| D481,233 | S * | 10/2003 | Post et al. | | D6/510 |
| D496,546 | S * | 9/2004 | Moon et al. | | D6/479 |
| D552,808 | S * | 10/2007 | Garman et al. | | D32/8 |
| D612,558 | S * | 3/2010 | Carrington | | D32/58 |

| | | | | | |
|-----------|------|---------|--------------------|-------|--------|
| D639,517 | S * | 6/2011 | Furtner | | D32/58 |
| 8,015,727 | B2 * | 9/2011 | Lee et al. | | 34/601 |
| D650,542 | S * | 12/2011 | Kontorovich et al. | | D32/58 |
| D659,335 | S * | 5/2012 | Beneli | | D32/58 |

* cited by examiner

Primary Examiner — Austin Murphy

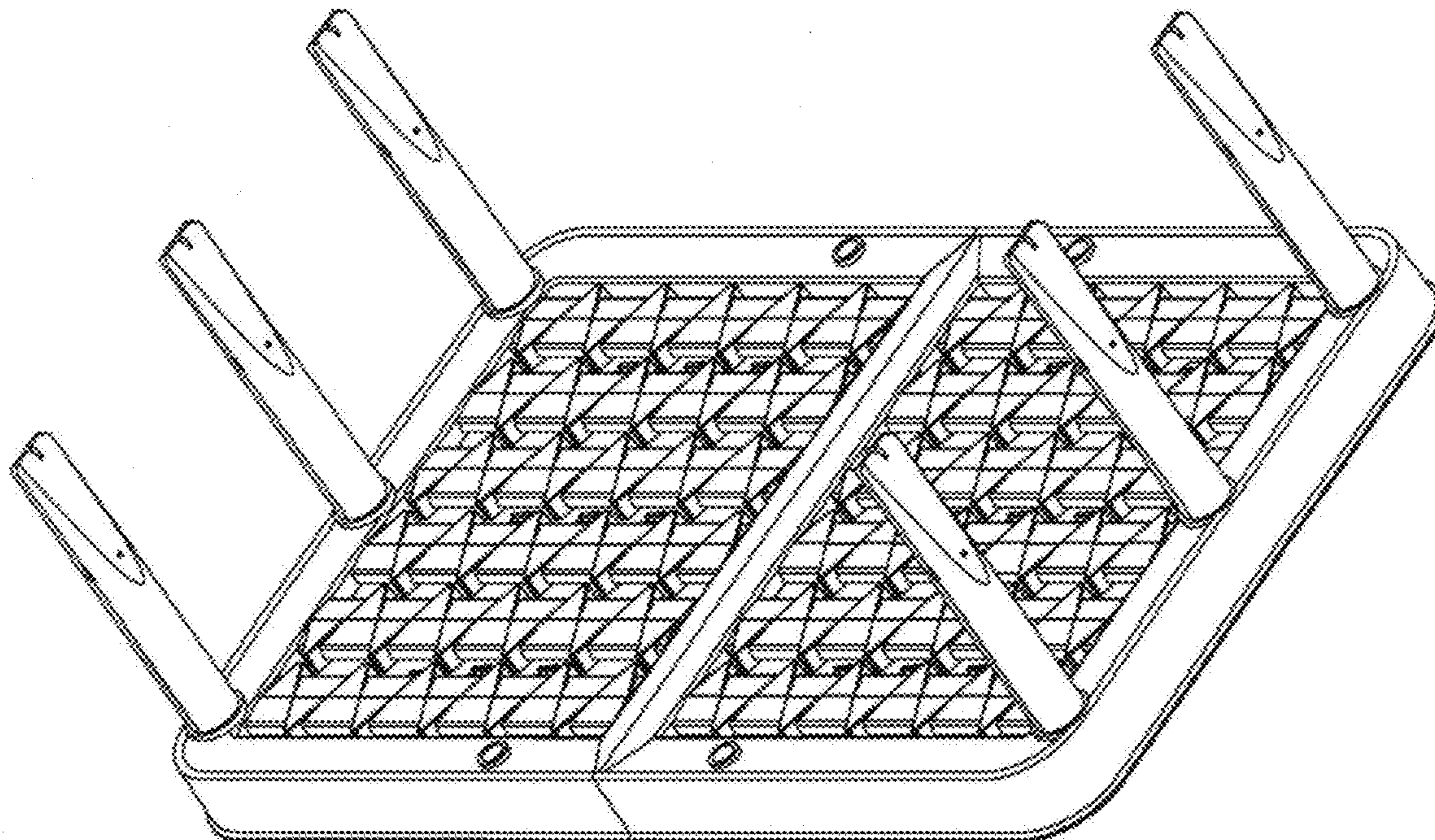
(57) **CLAIM**

I claim the ornamental design for a combined boot and glove dryer, as shown and described.

DESCRIPTION

FIG. 1 is a top perspective view of the combined boot and glove dryer;
 FIG. 2 is a top view of the combined boot and glove dryer;
 FIG. 3 is a bottom perspective view of the combined boot and glove dryer;
 FIG. 4 is a bottom view of the combined boot and glove dryer;
 FIG. 5 is a left or right end view of the combined boot and glove dryer; and,
 FIG. 6 is a front or back view of the combined boot and glove dryer.

1 Claim, 6 Drawing Sheets



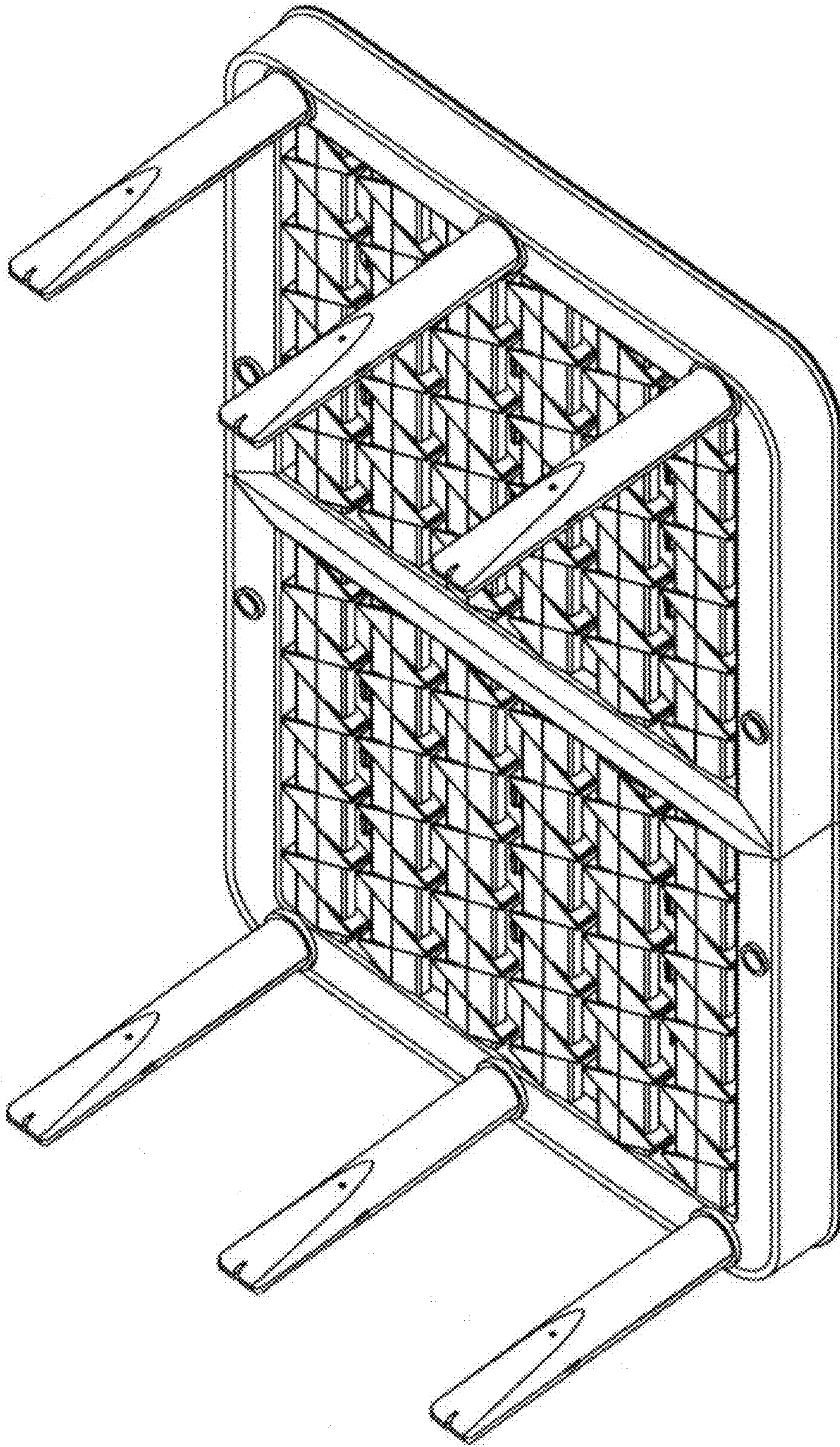


Figure 1

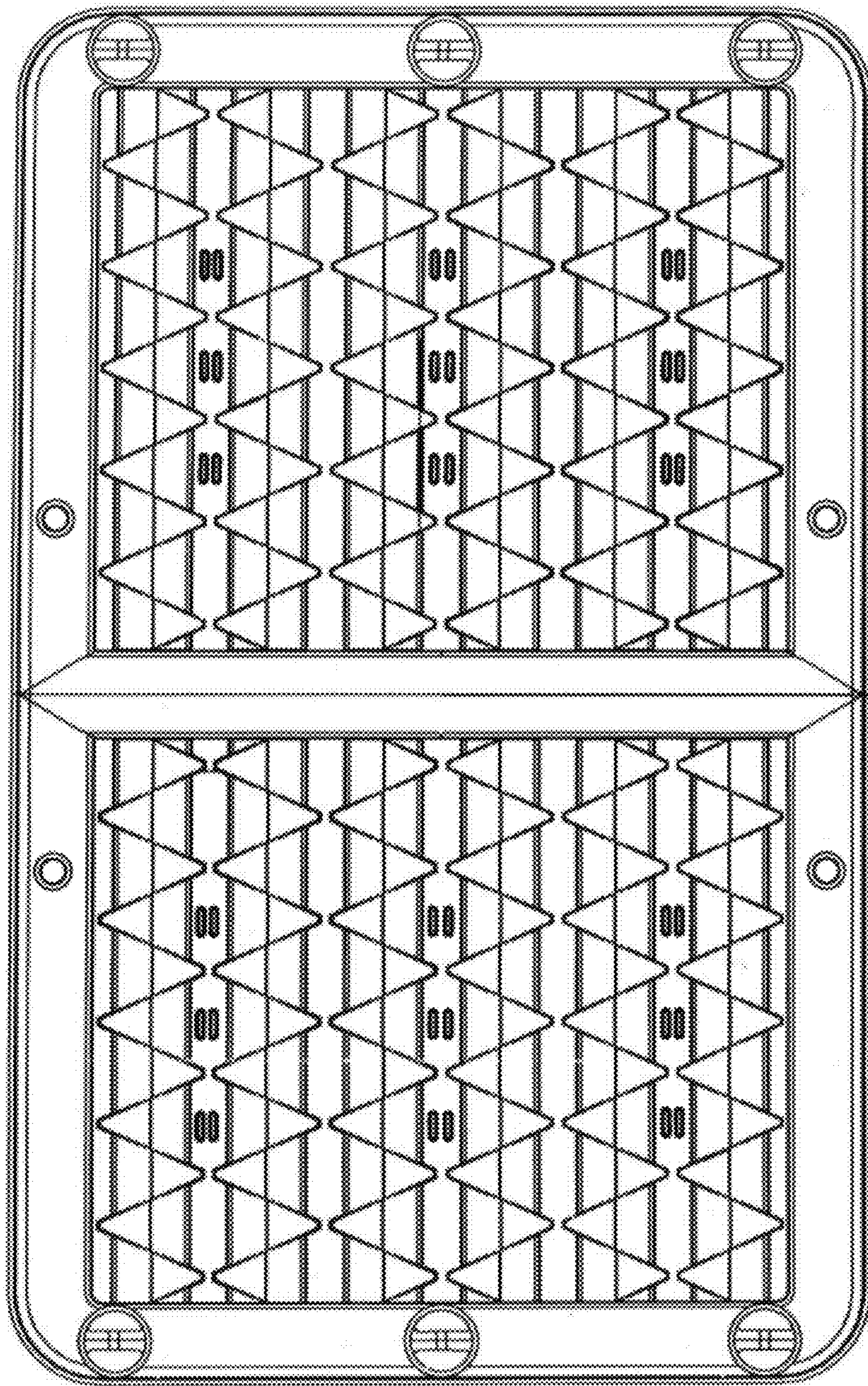


Figure 2

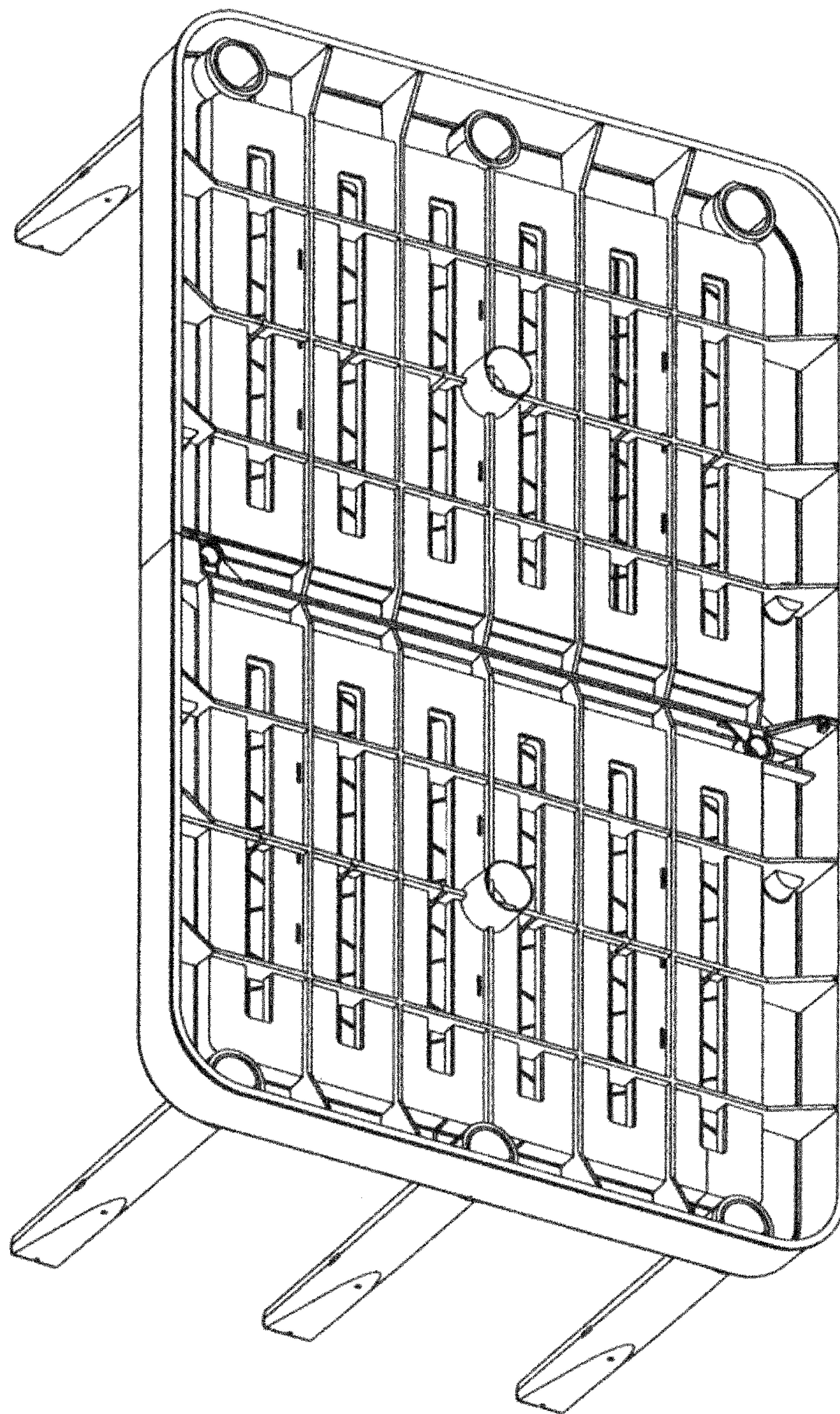


Figure 3

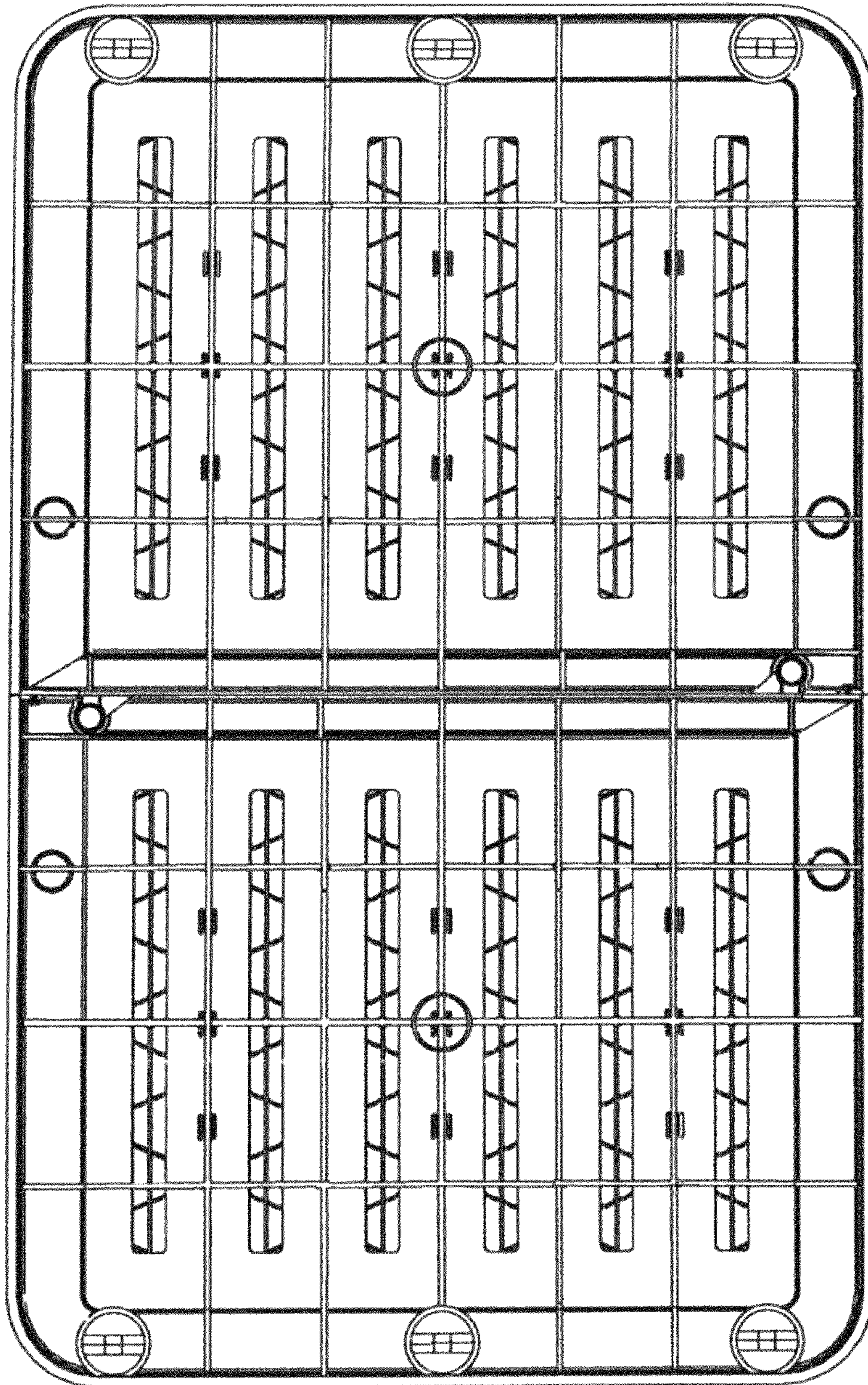


Figure 4

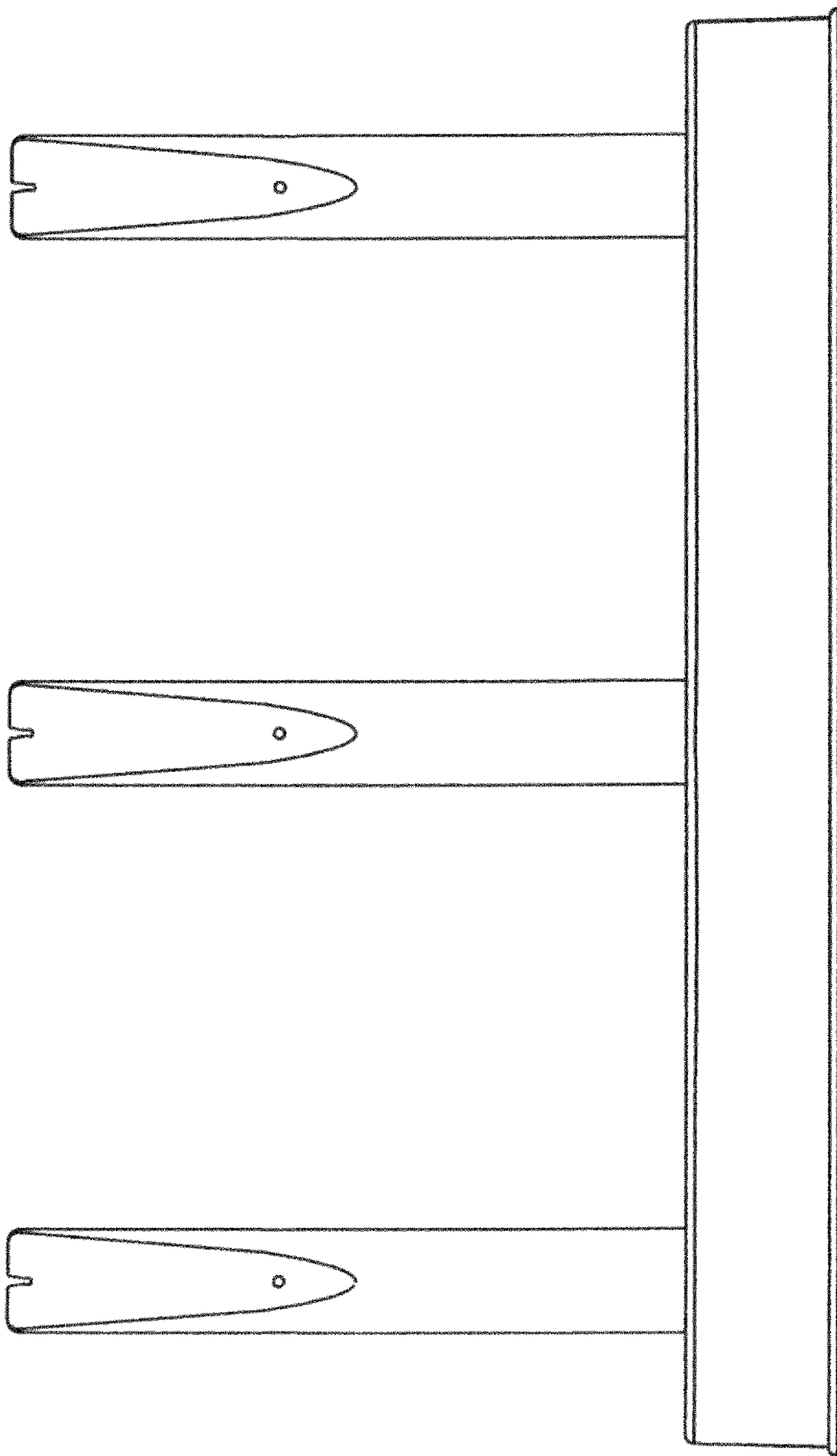


Figure 5

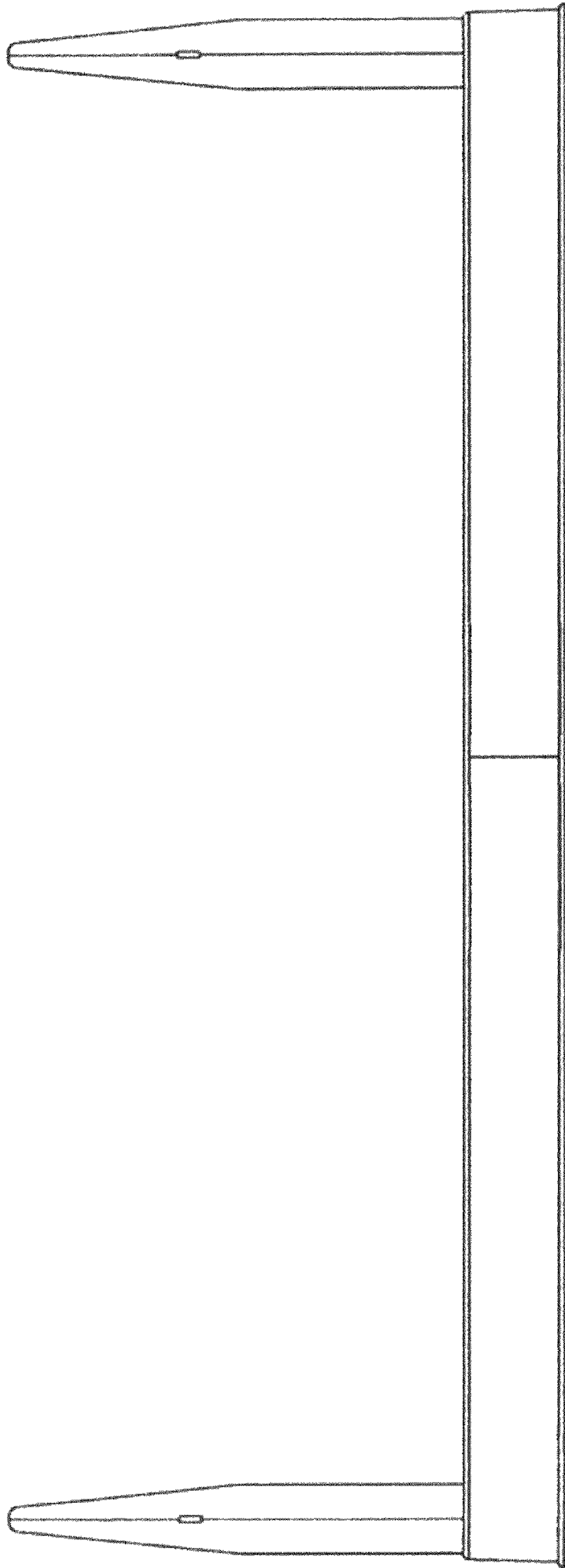


Figure 6